



US00D328656S

United States Patent [19]

Greer et al.

[11] Patent Number: **Des. 328,656**

[45] Date of Patent: **** Aug. 11, 1992**

[54] **COMBINED WATER STORAGE AND DISPENSING CONTAINER FOR PETS**

[75] Inventors: **Sharon L. Greer; Mark S. Greer**, both of Sioux Falls, S. Dak.; **Ashby M. Greer**, Rte. 4, Box 199, Sioux Falls, S. Dak. 57101

[73] Assignee: **Ashley M. Greer**, Sioux Falls, S. Dak.

[**] Term: **14 Years**

[21] Appl. No.: **312,580**

[22] Filed: **Feb. 21, 1989**

[52] U.S. Cl. **D30/132**

[58] Field of Search **D30/121, 122, 130-133; 119/18, 51.5, 61, 52.1, 72, 72.5, 73, 75, 77, 78; 137/445, 451; D9/432, 418, 374, 376, 380; 222/181, 185**

[56] **References Cited**

U.S. PATENT DOCUMENTS

D. 205,166	6/1966	Price	D9/374
D. 245,029	7/1977	Hedstrom	D30/132
D. 266,226	9/1982	Zdarsky et al.	D9/418
D. 297,212	8/1988	Stavish	D9/376
D. 316,205	4/1991	Conrad	D9/374
1,308,806	7/1919	Page	119/73

2,256,751	9/1941	Roe	119/73
2,791,984	5/1957	Franklin	119/77
3,729,121	4/1973	Cannon	222/185
4,113,149	9/1978	Harsch	222/181
4,130,090	12/1978	Böhlmann	119/73

FOREIGN PATENT DOCUMENTS

631821	11/1961	Canada	119/73
--------	---------	--------------	--------

Primary Examiner—A. Hugo Word

Assistant Examiner—Cathy Anne MacCormac

Attorney, Agent, or Firm—Sixbey, Friedman, Leedom & Ferguson

[57] **CLAIM**

The ornamental design for a combined water storage and dispensing container for pets, as shown and described.

DESCRIPTION

FIG. 1 is a perspective view of the top, front and right side of a combined water storage and dispensing container for pets showing our new design; FIG. 2 is a right side elevational view thereof; FIG. 3 is a perspective view showing the top, rear and left side thereof; FIG. 4 is a top plan view thereof; and, FIG. 5 is a bottom plan view thereof.

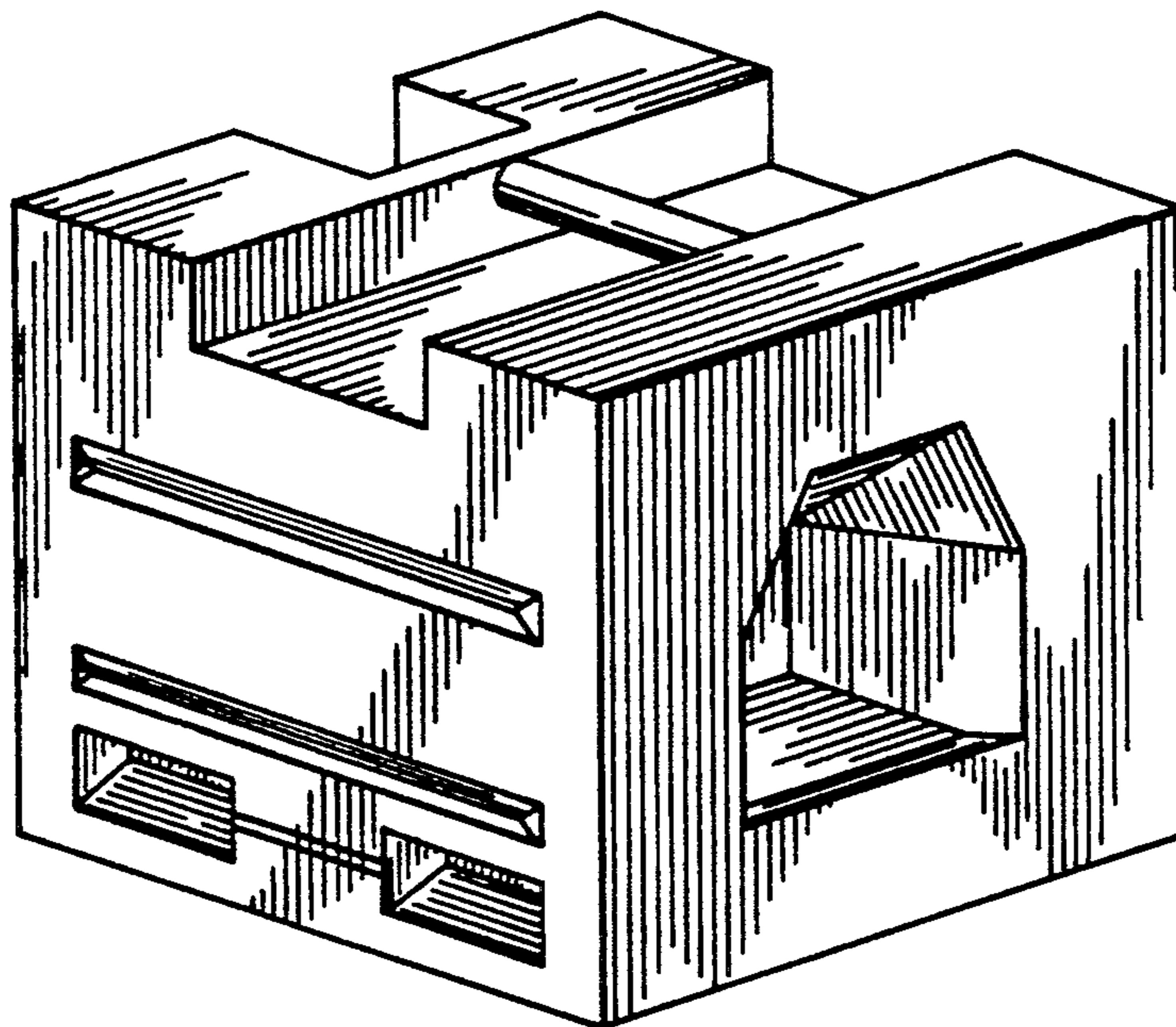


FIG. 1

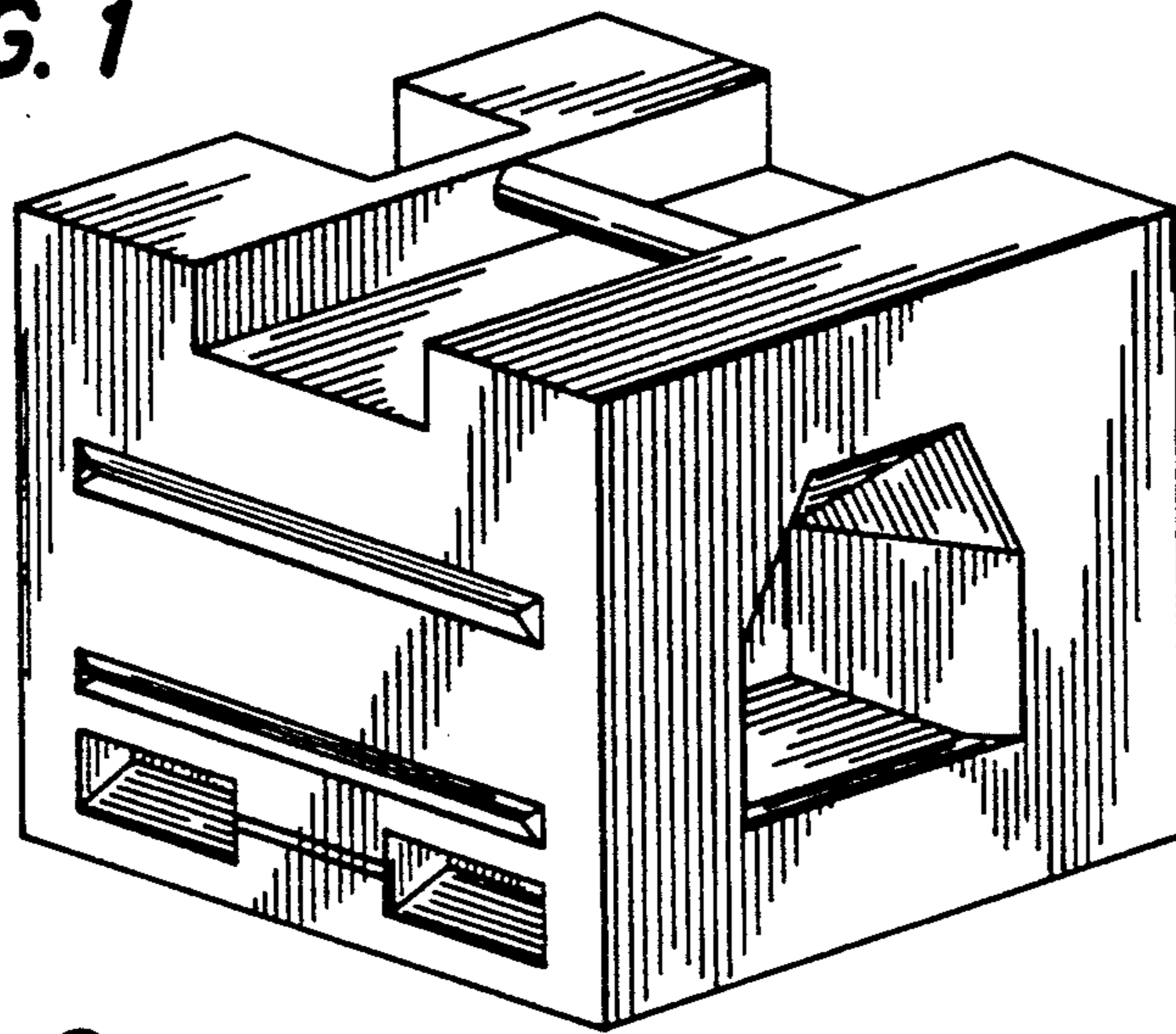


FIG. 2

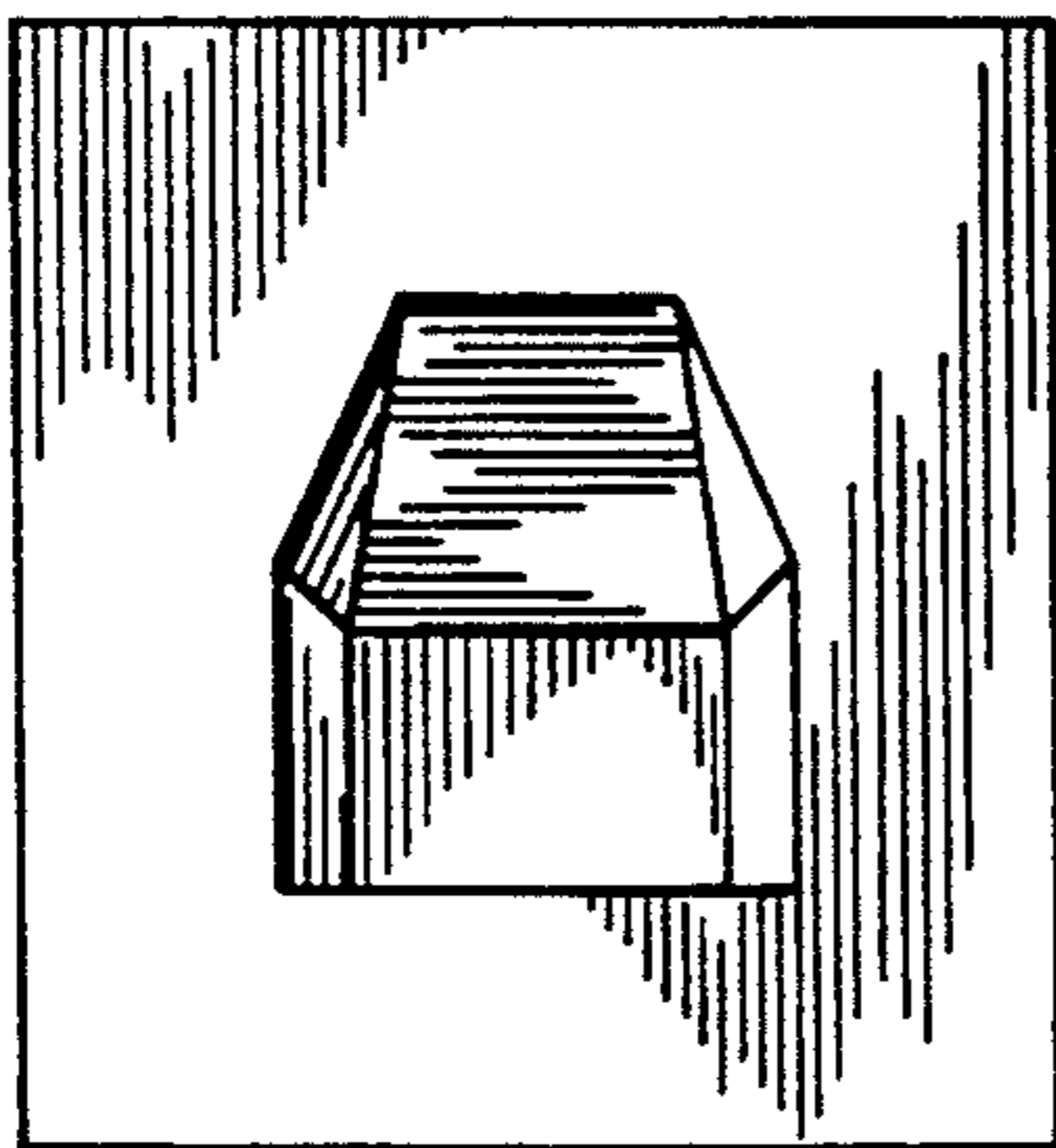


FIG. 3

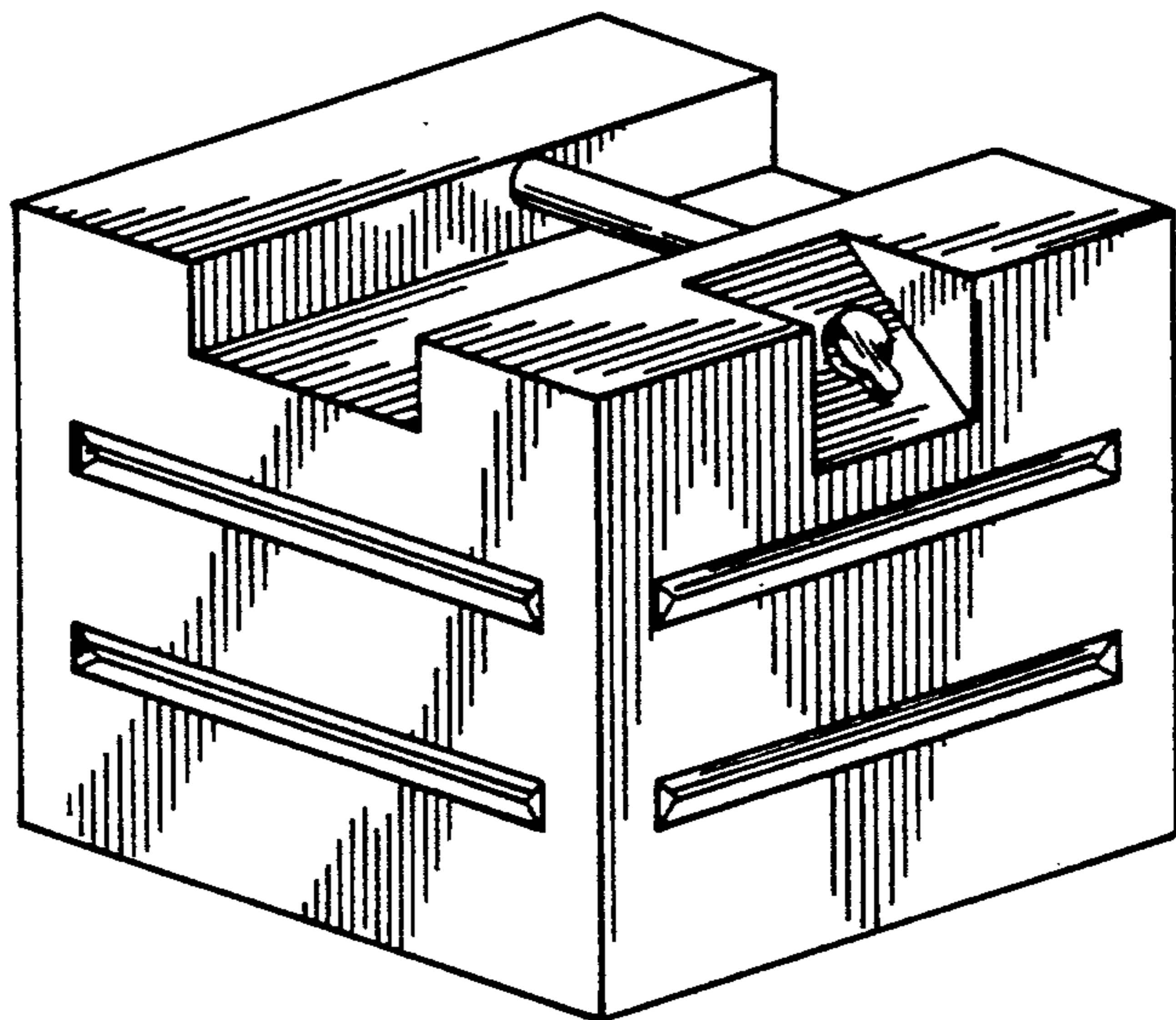


FIG. 4

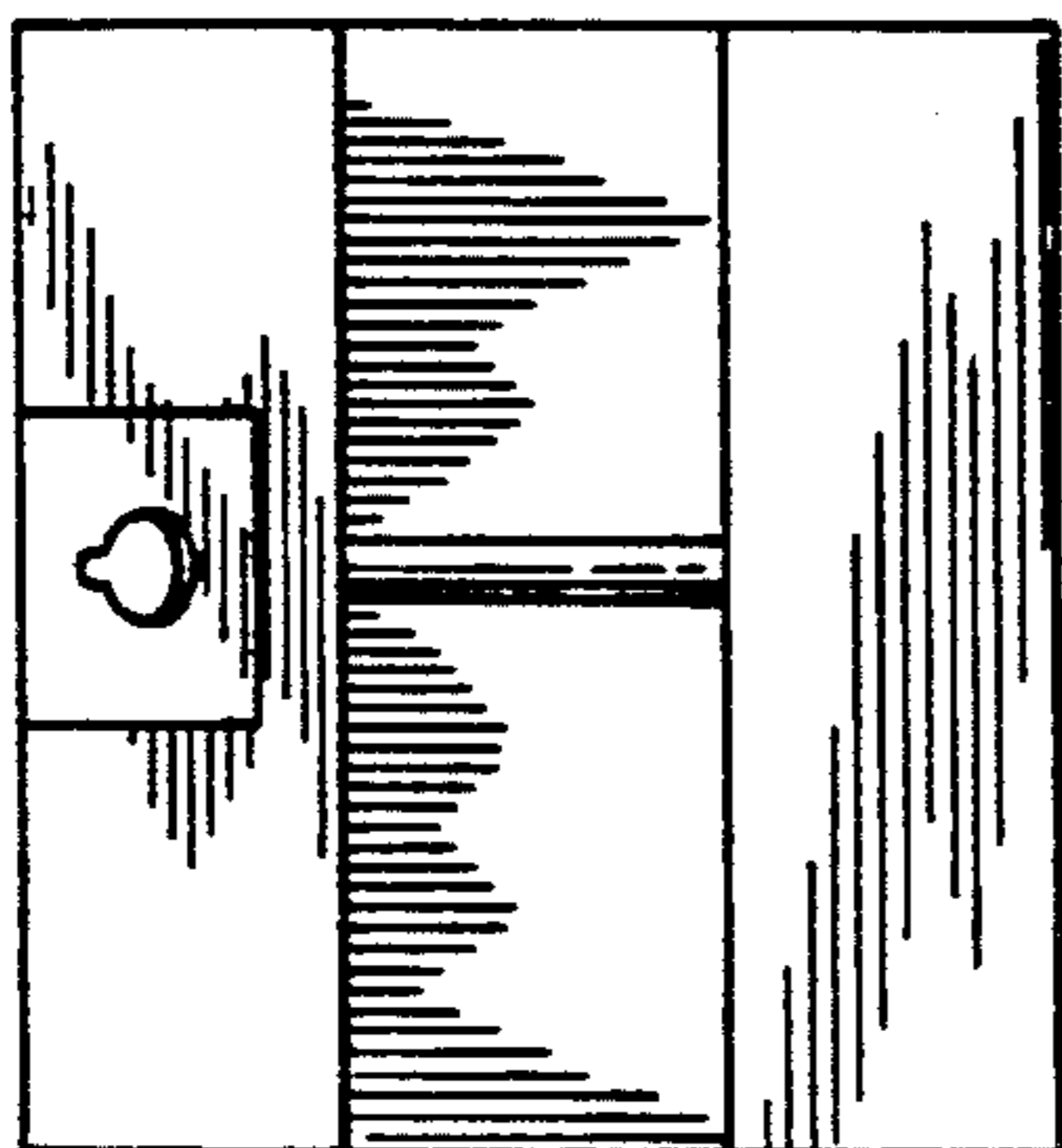


FIG. 5

