



US00D328650S

United States Patent [19]

[11] Patent Number: **Des. 328,650**

Jones

[45] Date of Patent: **** Aug. 11, 1992**

[54] **CEILING LIGHTING FIXTURE**

[75] Inventor: **Roy Jones, Ontario, Calif.**

[73] Assignee: **CSL Lighting, Inc., Valencia, Calif.**

[**] Term: **14 Years**

[21] Appl. No.: **547,853**

[22] Filed: **Jul. 2, 1990**

[52] U.S. Cl. **D26/85; D26/81**

[58] Field of Search **D26/72-92, D26/118, 120, 122, 123, 124, 138, 142, 143, 148, 149; 362/147, 404-408, 362, 364, 365**

[56] **References Cited**

U.S. PATENT DOCUMENTS

- D. 103,233 4/1937 Arenberg D26/120
- D. 190,387 5/1961 Wince D26/89
- D. 196,618 10/1963 Hammes D26/123 X
- D. 252,833 9/1979 Bowser D26/85

OTHER PUBLICATIONS

DiBianco Lighting Catalog, p. 3, "Telea" Ceiling Lamp.

Home Lighting & Accessories, Apr. 1988, p. 74, Tech Lighting Inc., Suspension Lighting Fixture.

Home Lighting & Accessories, Jan. 1989, p. 84, Tech Lighting "Rings of Light" Tirio Ceiling Fixture.

Primary Examiner—Susan J. Lucas

Attorney, Agent, or Firm—Marvin H. Kleinberg

[57] **CLAIM**

The ornamental design for a ceiling lighting fixture, as shown and described.

DESCRIPTION

FIG. 1 is a front elevational view of a ceiling lighting fixture showing my new design, the sides and rear being identical;

FIG. 2 is a top plan view thereof;

FIG. 3 is a bottom plan view thereof;

FIG. 4 is a bottom perspective view thereof;

FIG. 5 is a front elevational view of a second embodiment of my new design;

FIG. 6 is a top plan view thereof;

FIG. 7 is a bottom plan view thereof; and,

FIG. 8 is a bottom perspective view thereof.

The fixture is shaded with oblique lines to indicate translucency.

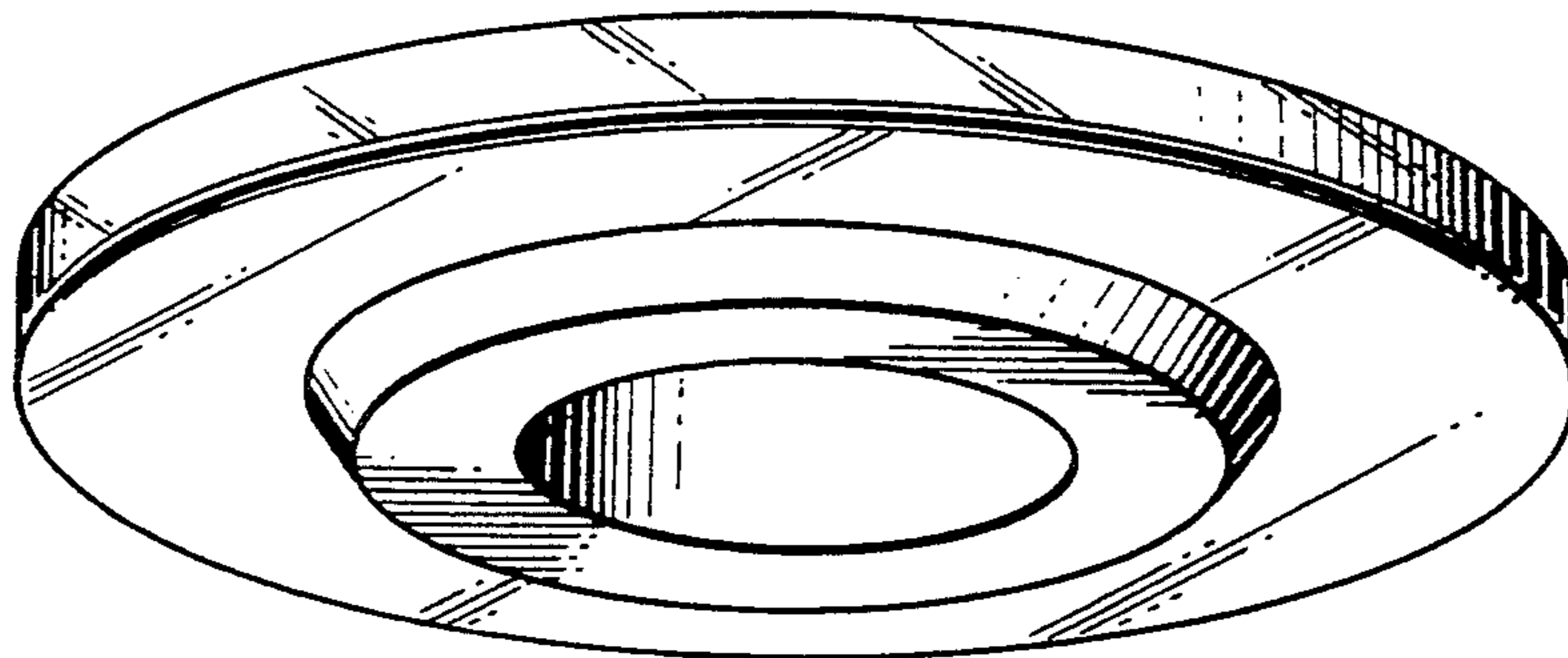


Fig. 2.

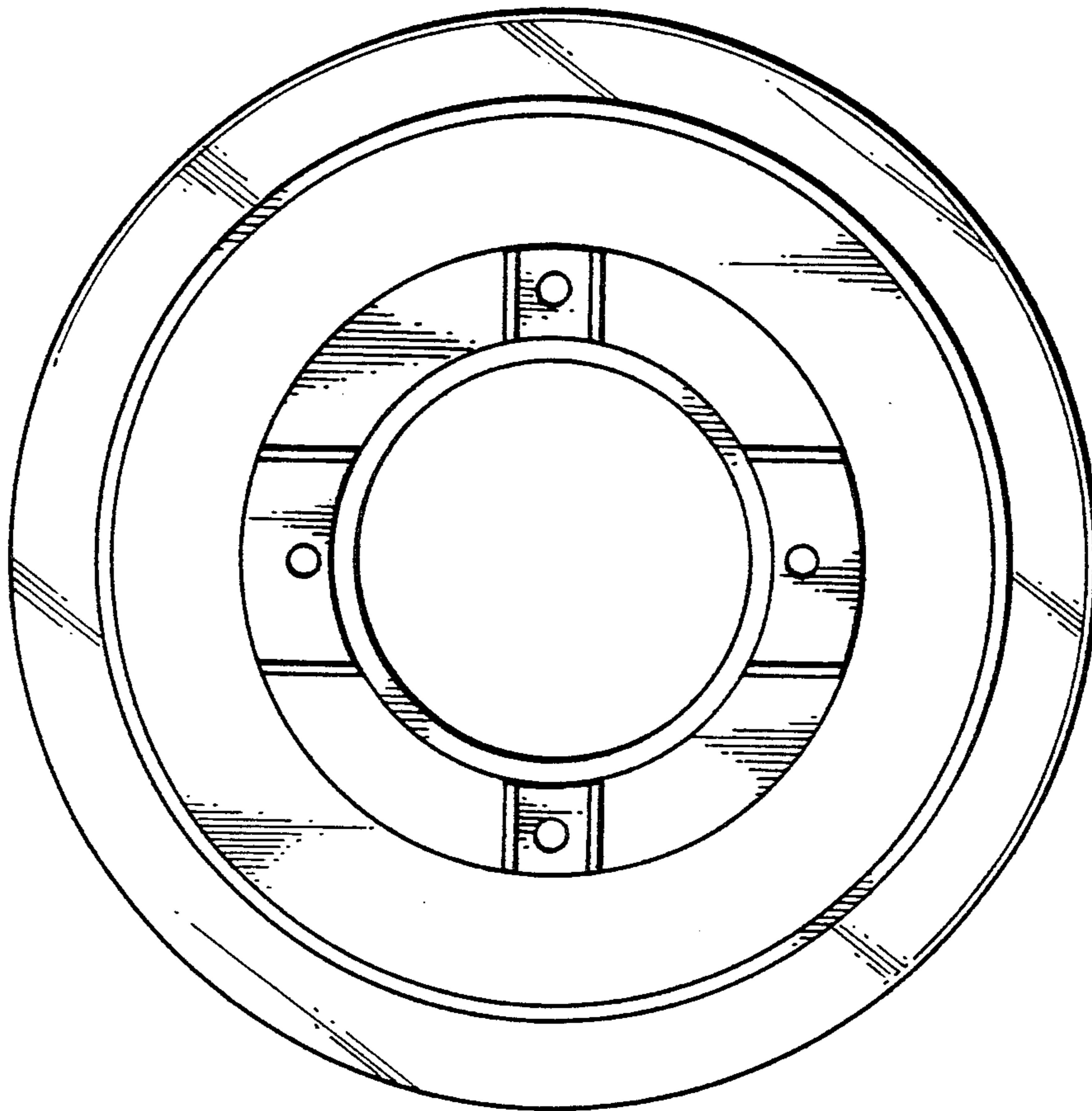


Fig. 1.

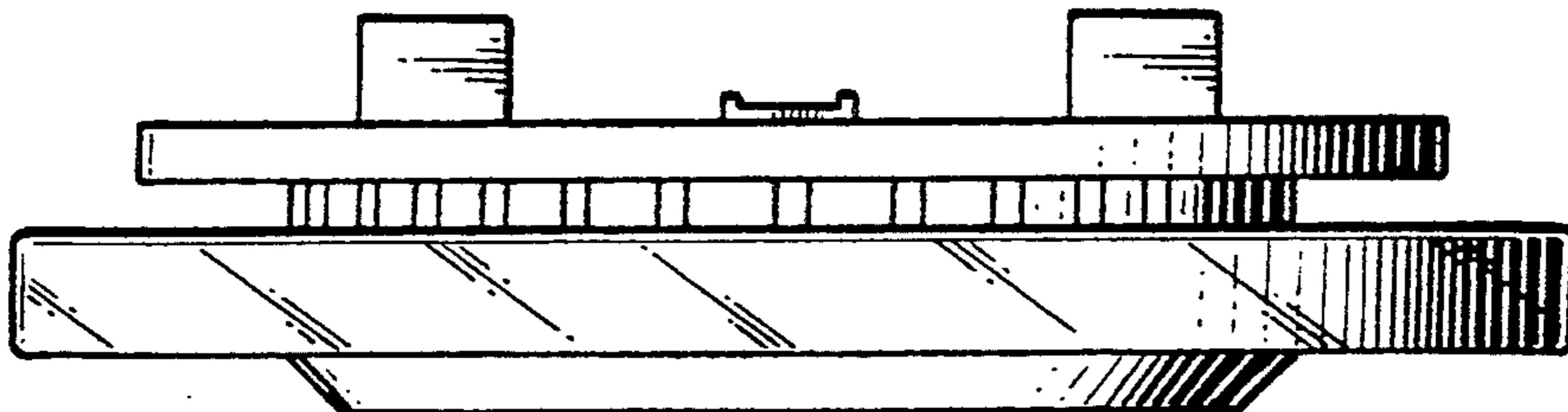


Fig. 3.

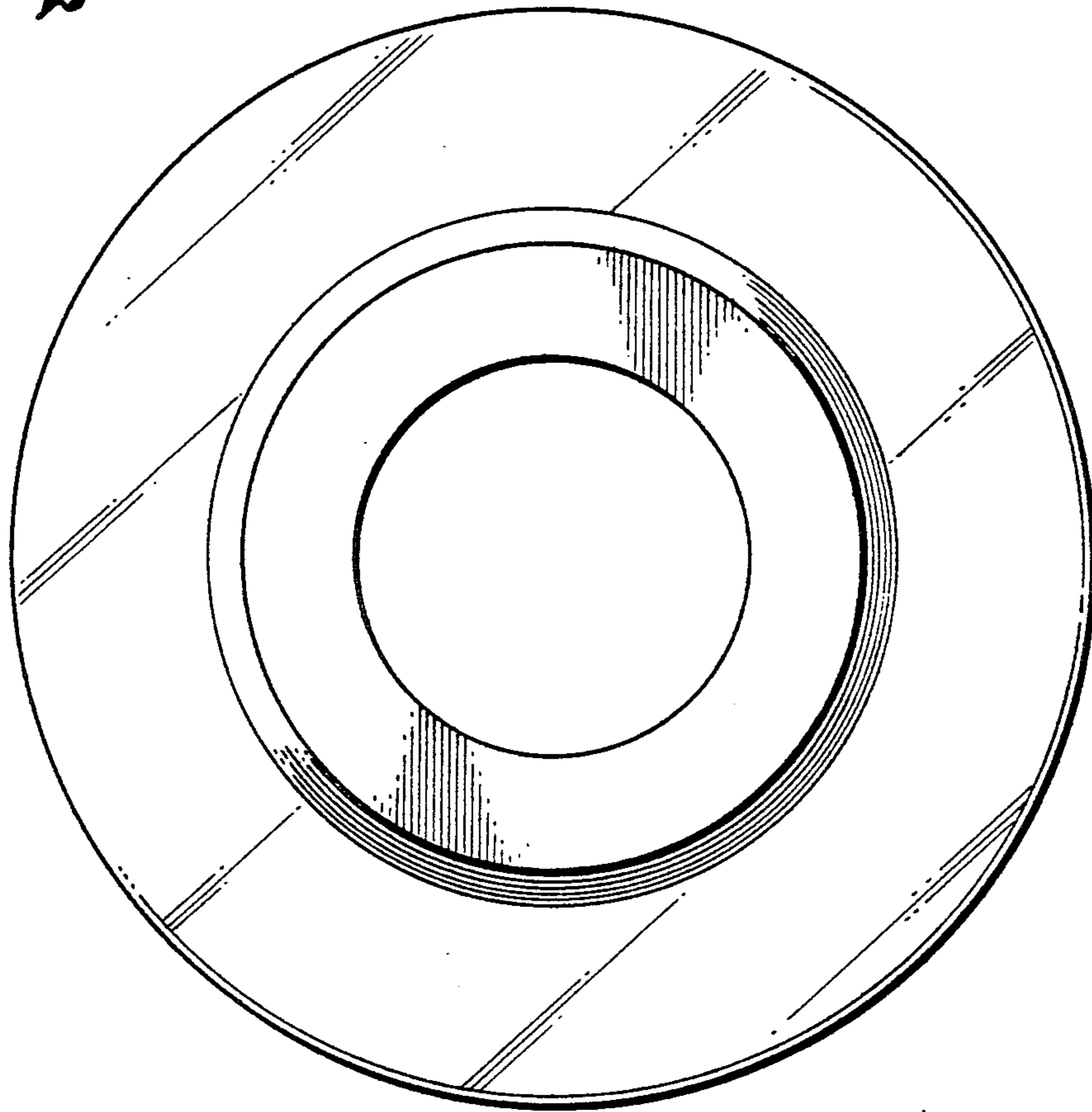


Fig. 4.

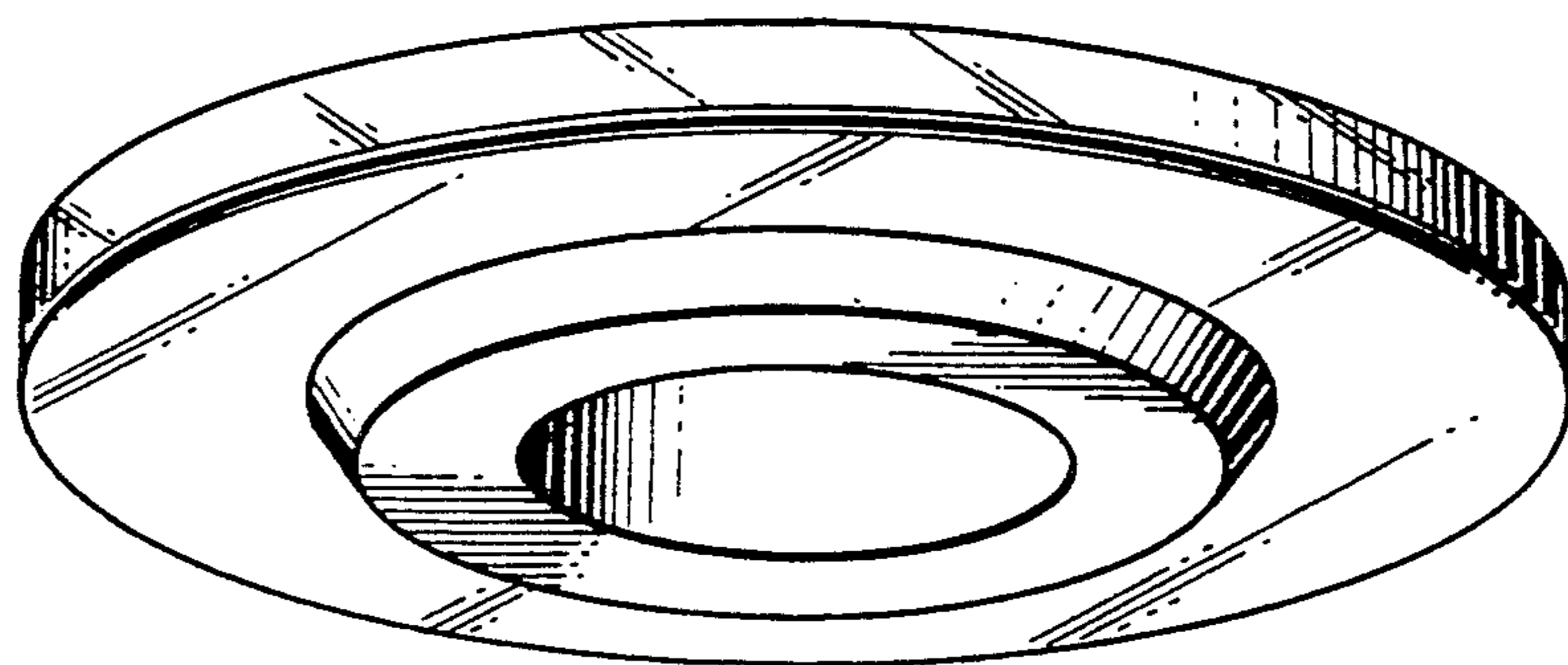


Fig. 6.

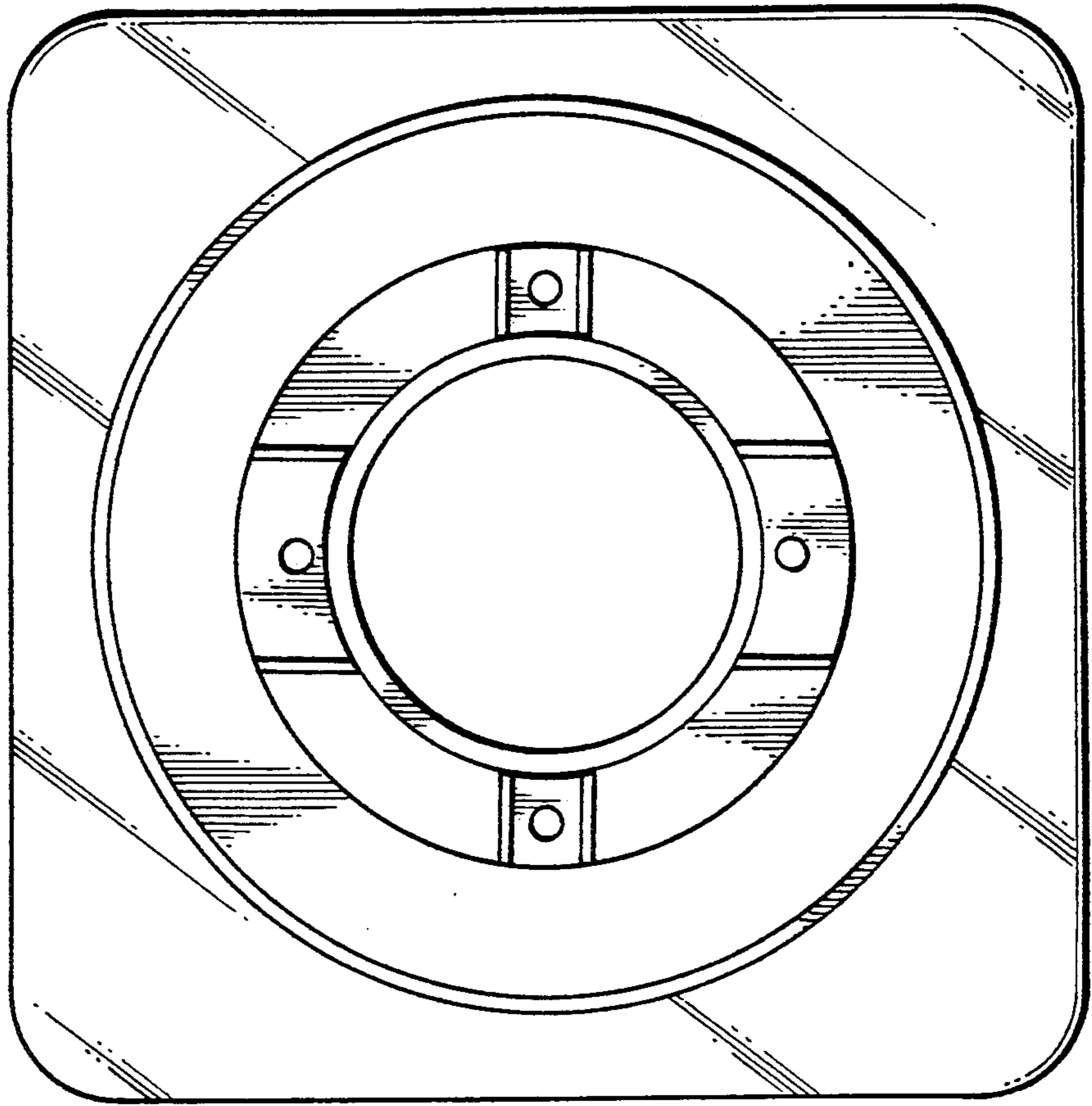


Fig. 5.

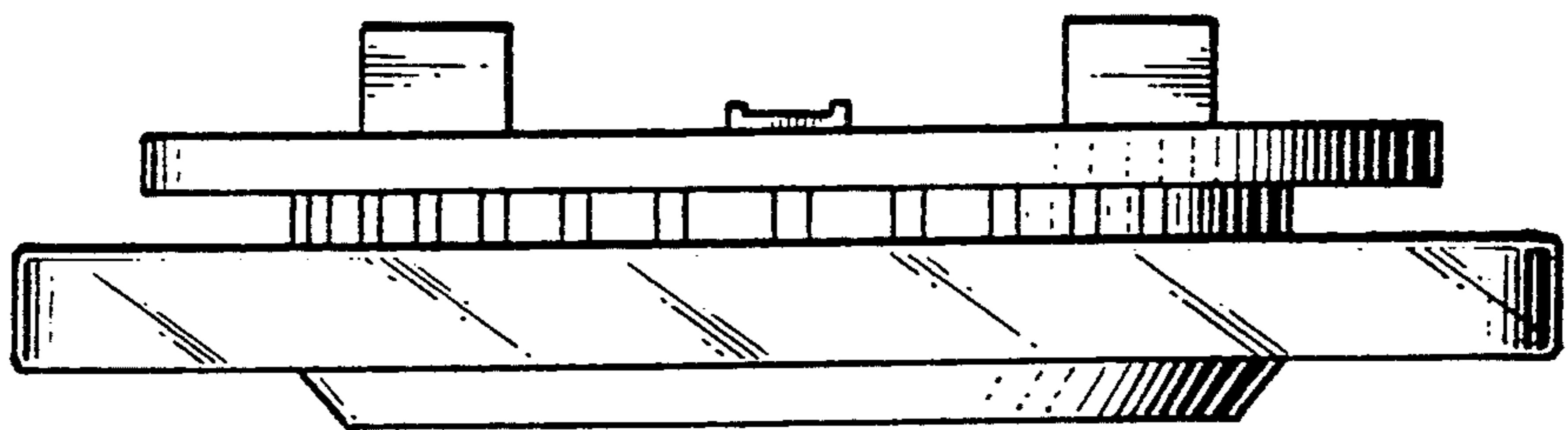


Fig. 7.

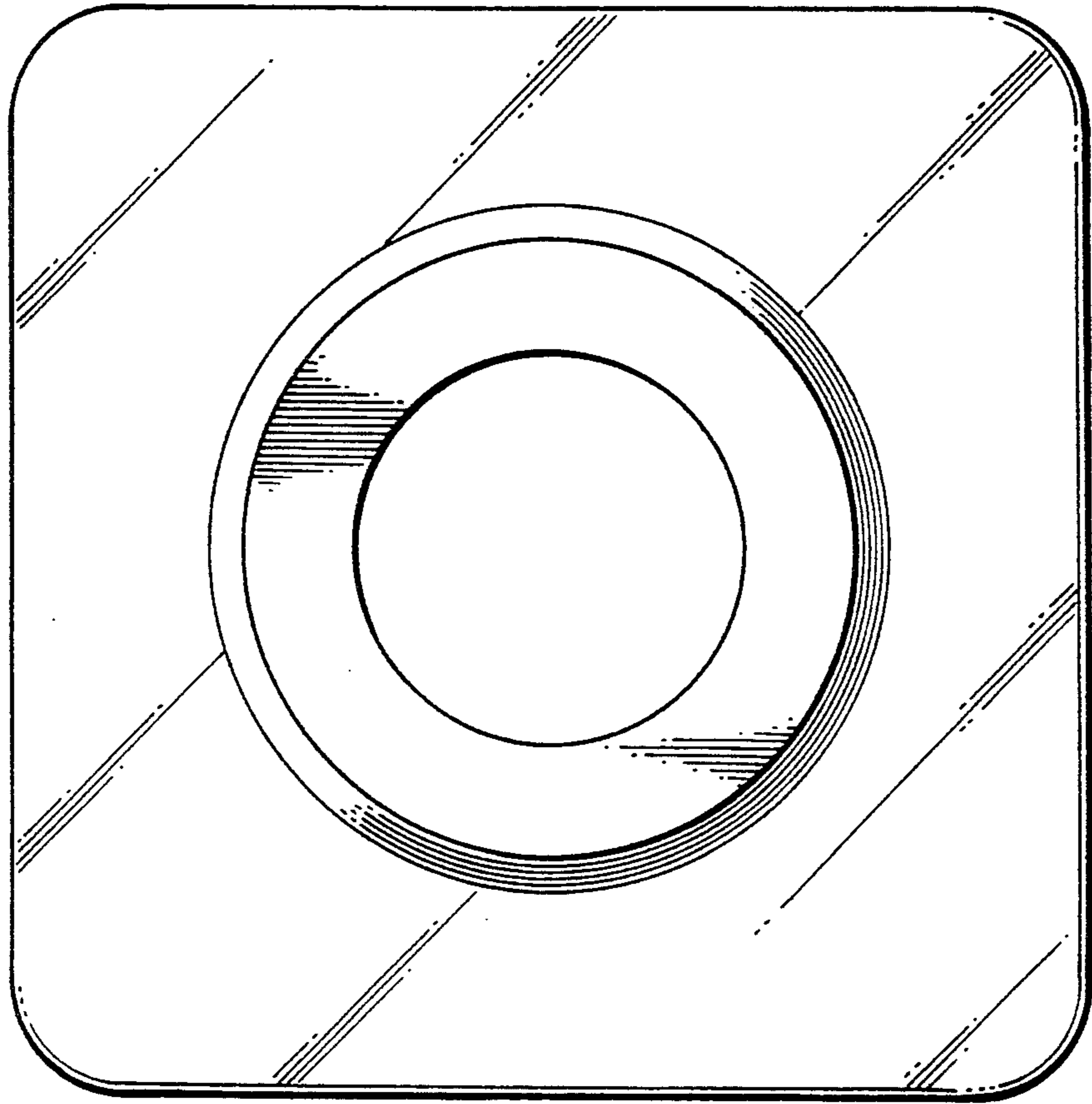


Fig. 8.

