



US00D328649S

United States Patent [19]

[11] Patent Number: **Des. 328,649**

Urabe

[45] Date of Patent: **** Aug. 11, 1992**

[54] CASE FOR TEETH MODELS

4,666,037 5/1987 Weissman 206/63.5

[76] Inventor: **Tetsuo Urabe**, 10-22, Shimeien, Ibaragi-shi, Osaka, Japan

Primary Examiner—Susan J. Lucas

Assistant Examiner—M. H. Tung

Attorney, Agent, or Firm—Edwin E. Greigg; Ronald E. Greigg

[**] Term: **14 Years**

[21] Appl. No.: **524,094**

[57] CLAIM

The ornamental design for a case for teeth models, as shown and described.

[22] Filed: **May 16, 1990**

[52] U.S. Cl. **D24/227**

[58] Field of Search D24/227, 176-182, D24/221, 224; D9/423, 425, 426, 429; 206/63.5; 220/4.21, 4.22, 4.23, 4.24, 4.26, 4.27

DESCRIPTION

[56] References Cited

U.S. PATENT DOCUMENTS

D. 192,619	4/1962	Mojonnier	D9/426 X
D. 257,790	1/1981	Kesling	D24/227
3,244,312	4/1966	Lawson	220/4.21
3,412,901	11/1968	Izumi	D9/426 X
3,485,408	12/1969	Benesch	220/4.26
4,351,165	9/1982	Gottsegen et al.	220/4.24 X

FIG. 1 is a front elevational view of a case for teeth models showing my new design;
 FIG. 2 is a right side elevational view thereof;
 FIG. 3 is a rear elevational view thereof;
 FIG. 4 is a bottom plan view thereof;
 FIG. 5 is a top plan view thereof;
 FIG. 6 is a cross-sectional view thereof, taken on line 6-6 of FIG. 1;
 FIG. 7 is a cross-sectional view thereof, taken on line 7-7 of FIG. 5; and,
 FIG. 8 is a top perspective view thereof.

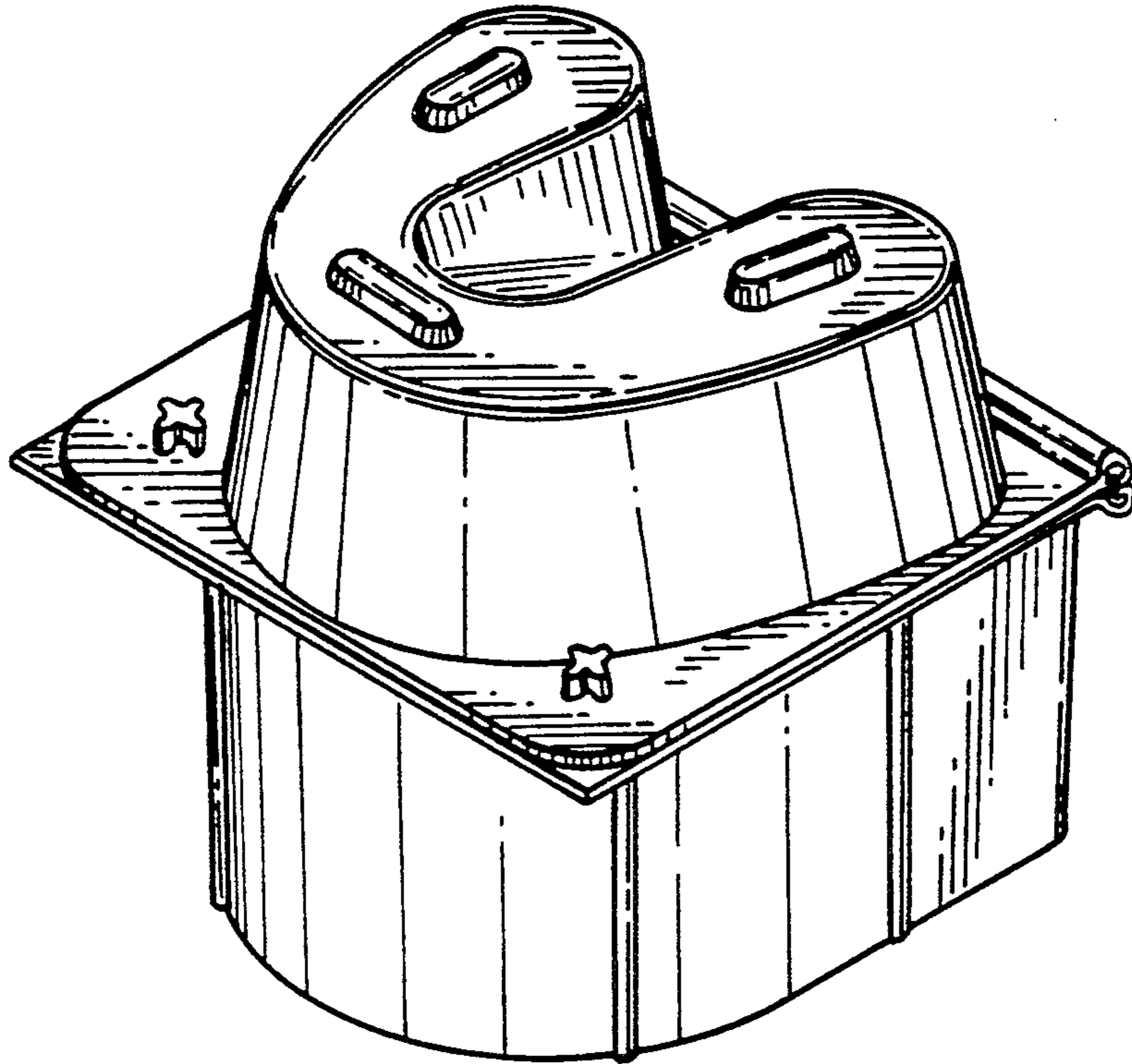
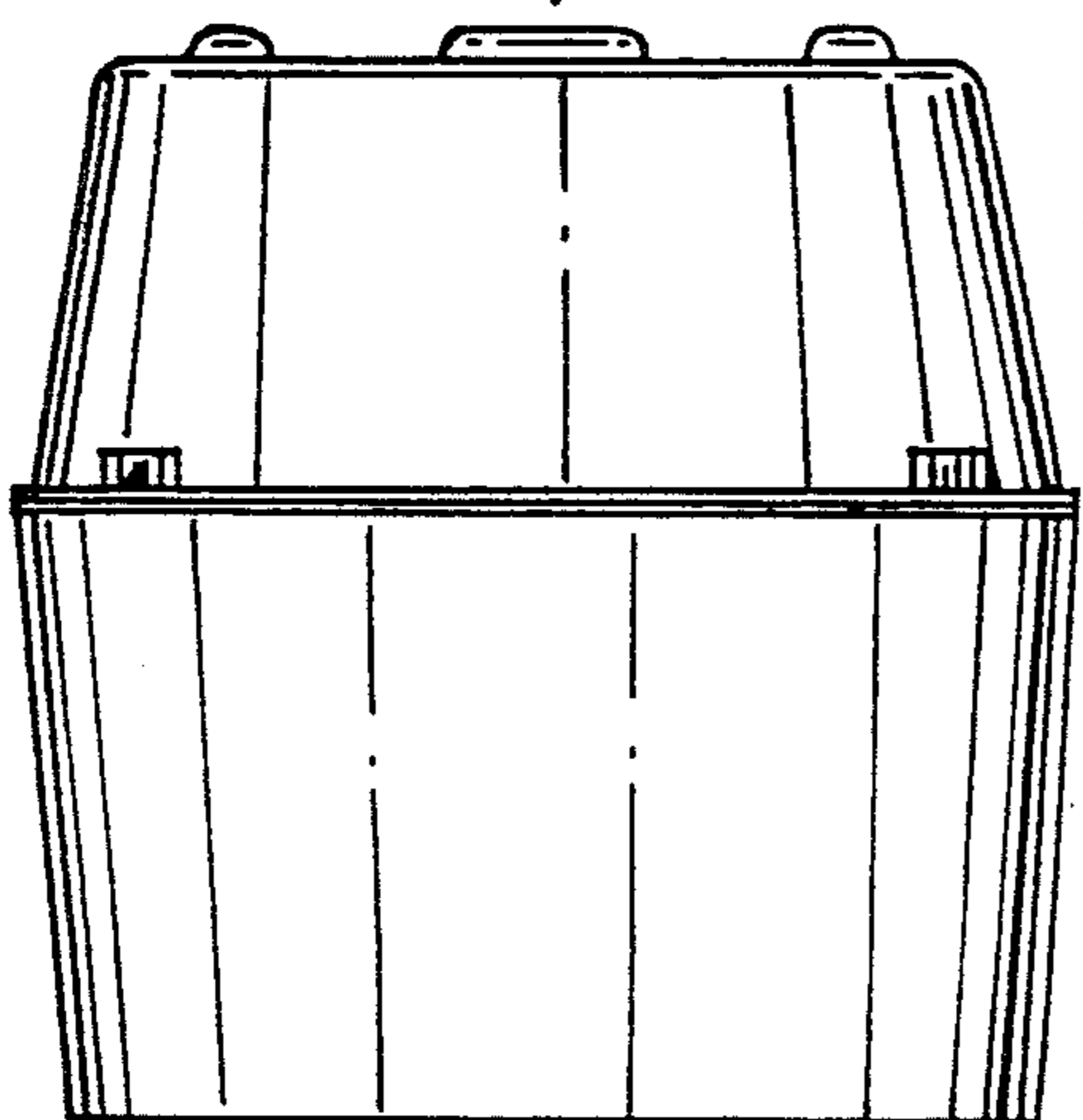


FIG. 1

6 ↖



6 ↖

FIG. 2

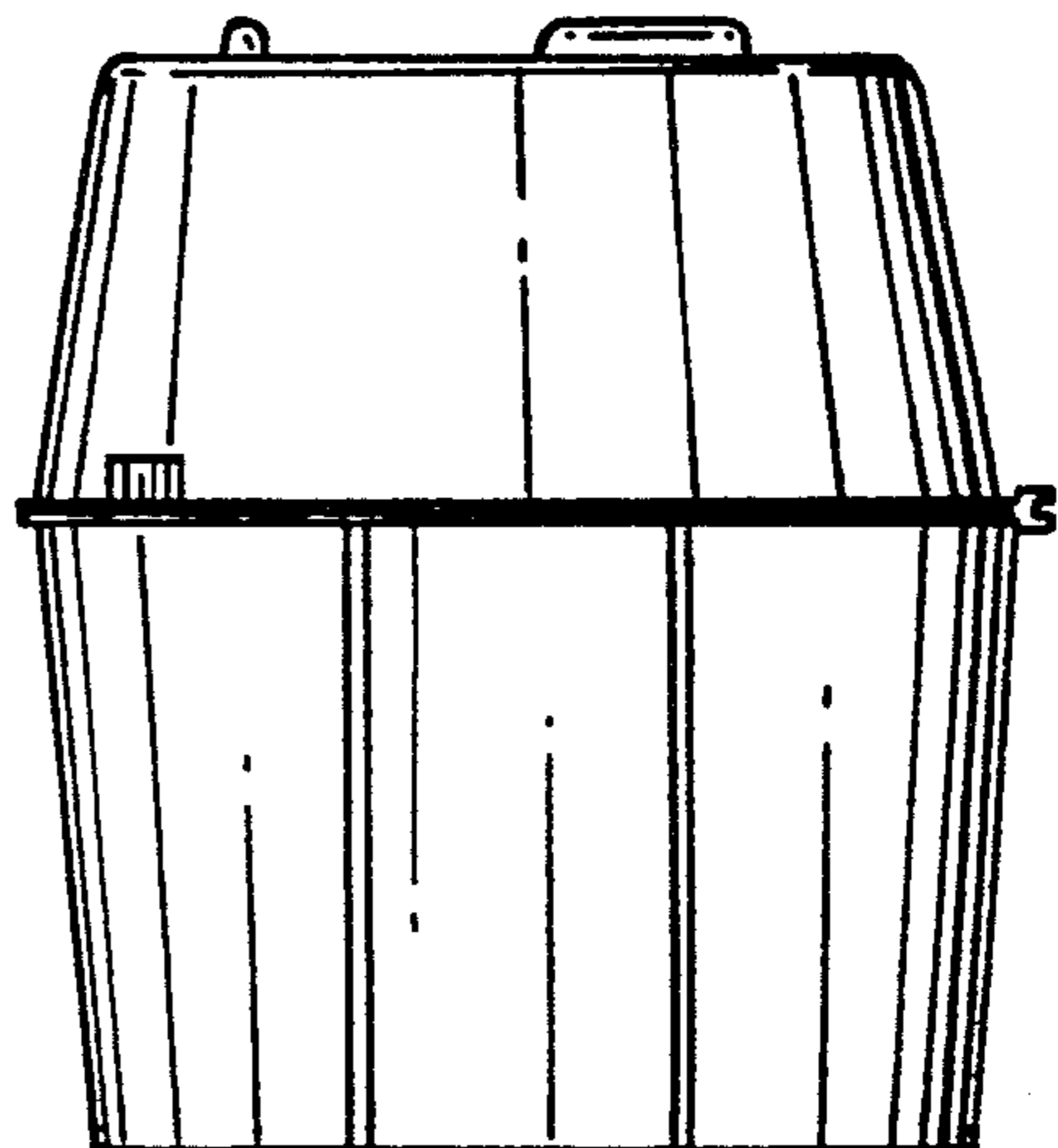


FIG. 3

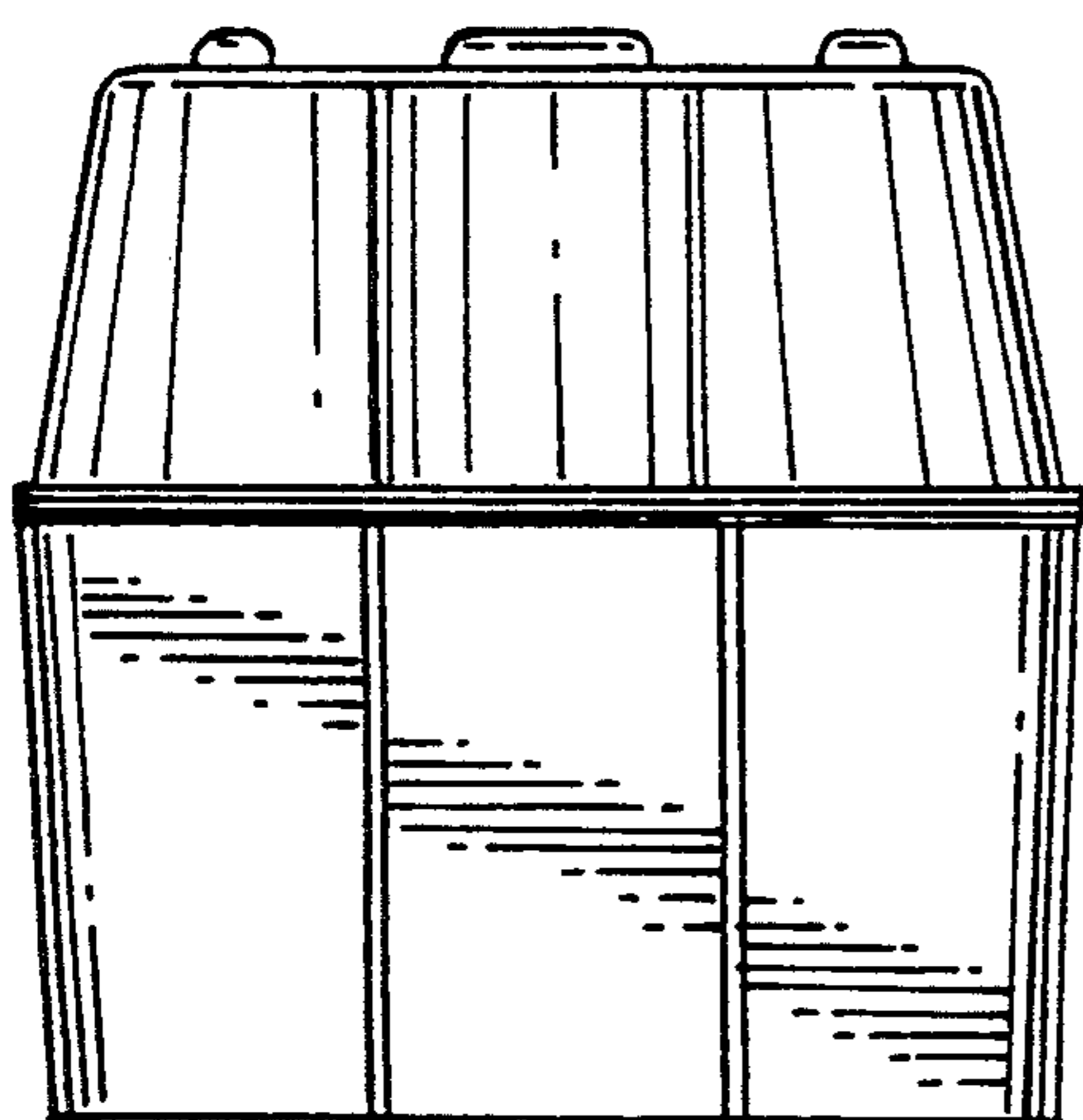


FIG. 4

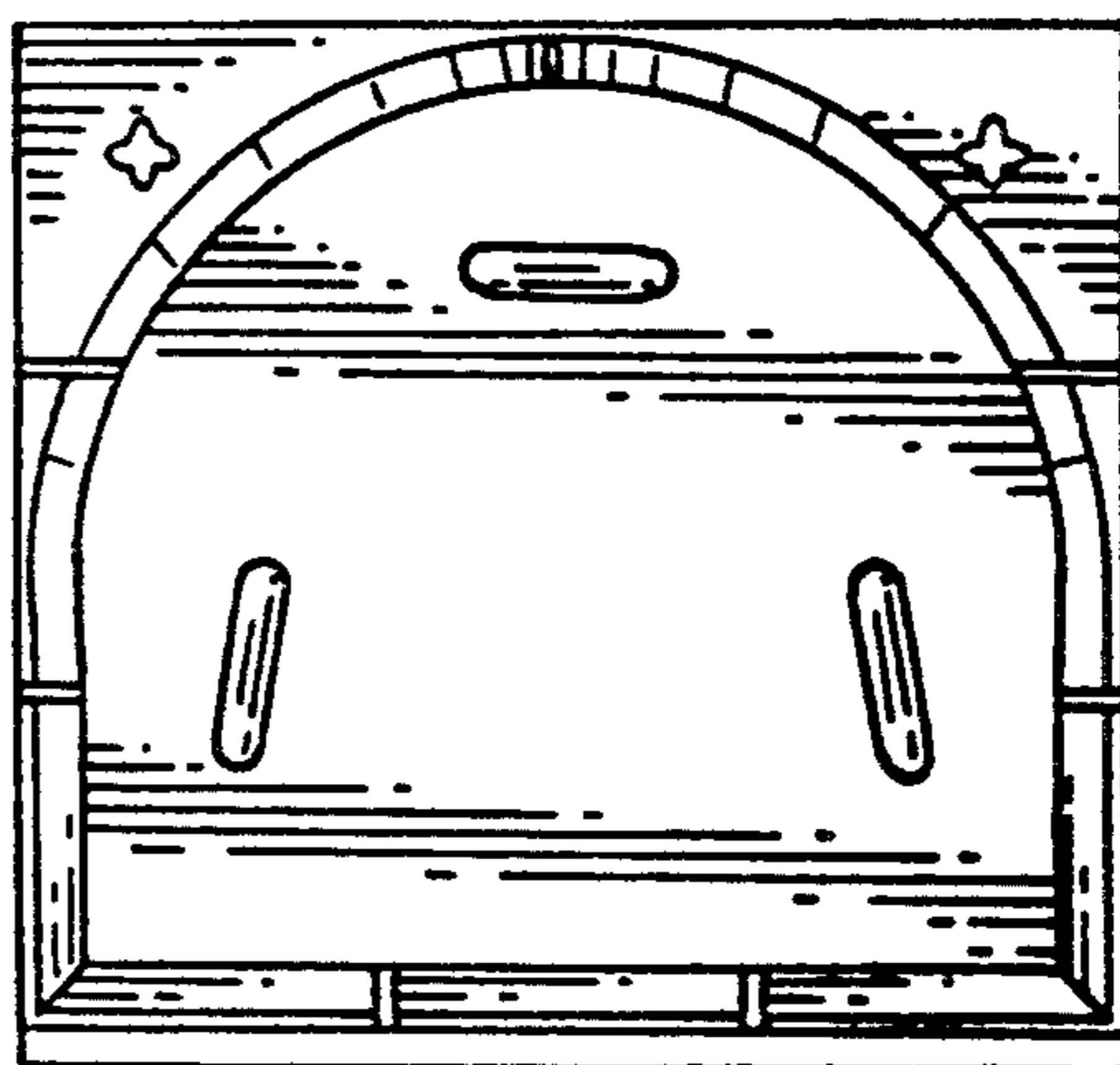


FIG. 5

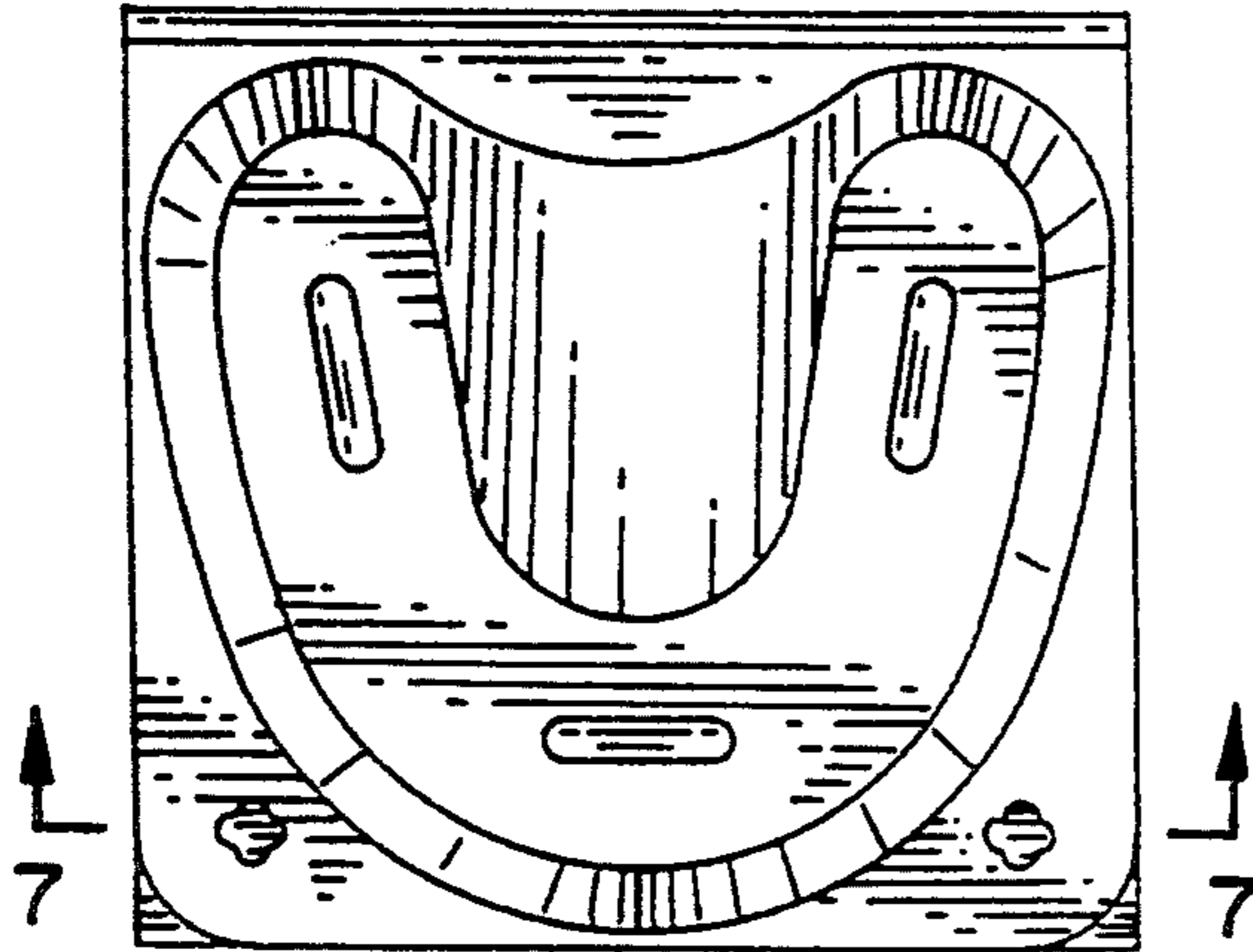


FIG. 6

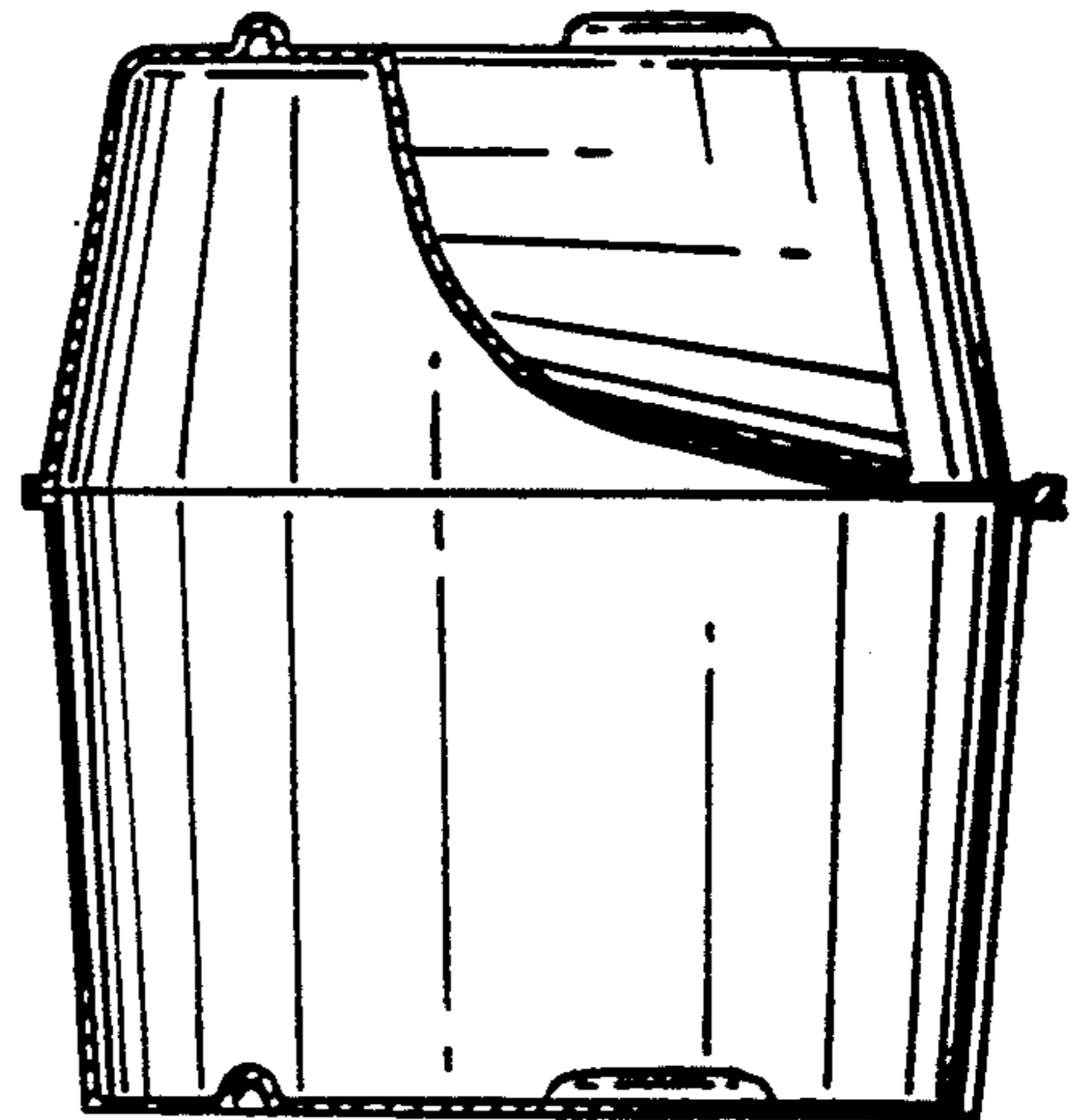
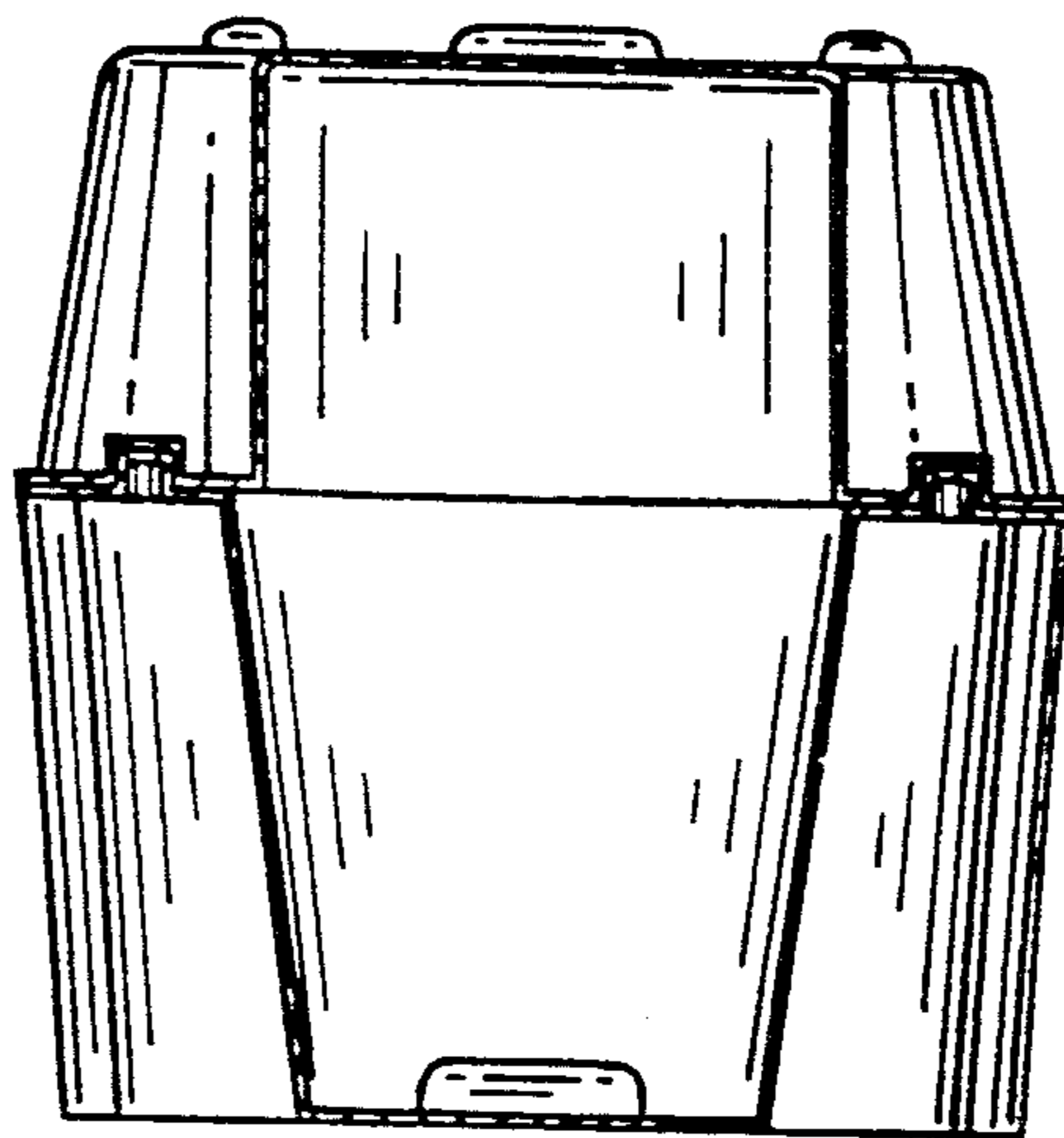


FIG. 7



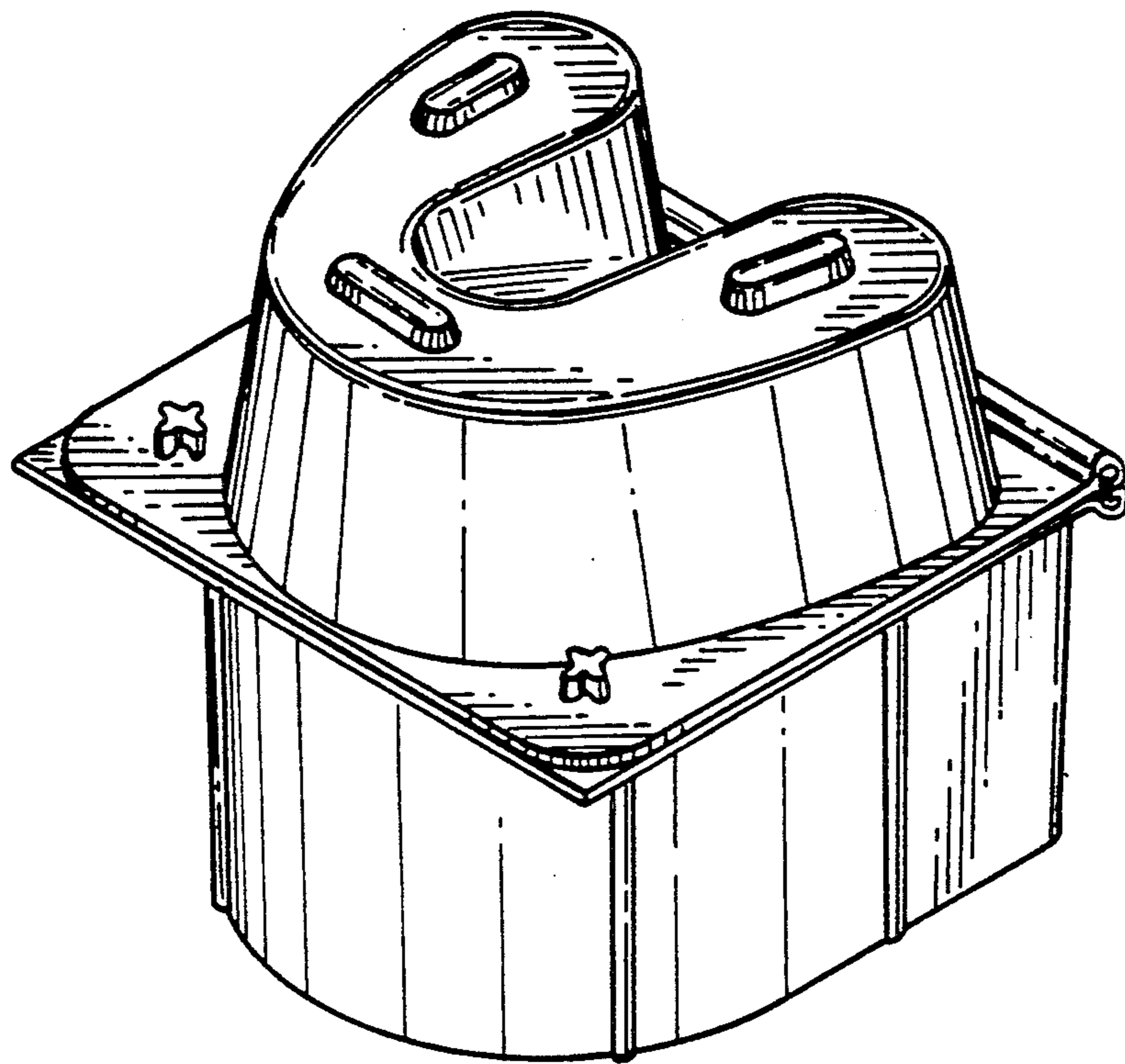


FIG. 8