



US00D328641S

United States Patent [19]

[11] Patent Number: **Des. 328,641**

Myers

[45] Date of Patent: **** Aug. 11, 1992**

[54] **COOLER FAN ORIFICE RING FOR USE
PRIMARILY IN ROTARY SCREW
COMPRESSORS**

3,462,073 8/1969 Russell 417/362
4,502,291 3/1985 Shelton et al. 415/213.1
4,834,615 5/1989 Mauch et al. 415/213.1

[75] Inventor: **Wayne K. Myers, Loraine, Ill.**

Primary Examiner—Wallace R. Burke

[73] Assignee: **Cooper Industries, Inc., Houston,
Tex.**

Assistant Examiner—Lisa Lichtenstein

Attorney, Agent, or Firm—Laff, Whitesel, Conte & Saret

[**] Term: **14 Years**

[57] **CLAIM**

[21] Appl. No.: **419,631**

The ornamental design for a cooler fan orifice ring for use primarily in rotary screw compressors, as shown.

[22] Filed: **Oct. 11, 1989**

DESCRIPTION

[52] U.S. Cl. **D23/411**

[58] Field of Search **D23/411, 412, 386;
62/507; 248/672; 417/362, 360; 474/144, 146;
415/213.1**

FIG. 1 is a top plan view of a cooler fan orifice ring for use primarily in rotary screw compressors, showing my new design;

FIG. 2 is a front elevation view thereof;

FIG. 3 is a rear elevation view thereof;

FIG. 4 is a left end elevation view thereof;

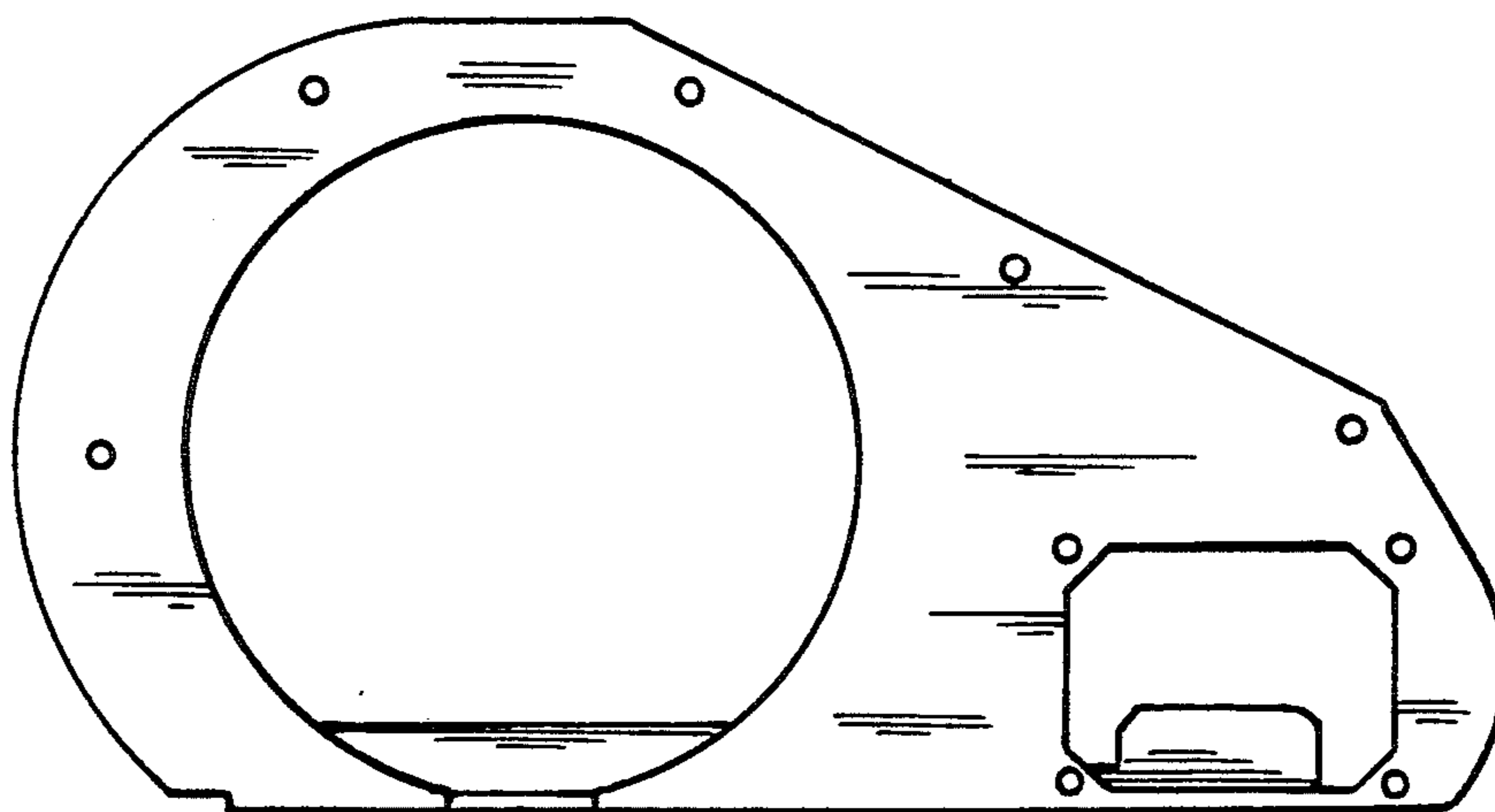
FIG. 5 is a right end elevation view thereof; and,

FIG. 6 is a bottom plan view thereof.

[56] **References Cited**

U.S. PATENT DOCUMENTS

1,652,159 12/1927 Baker 248/672



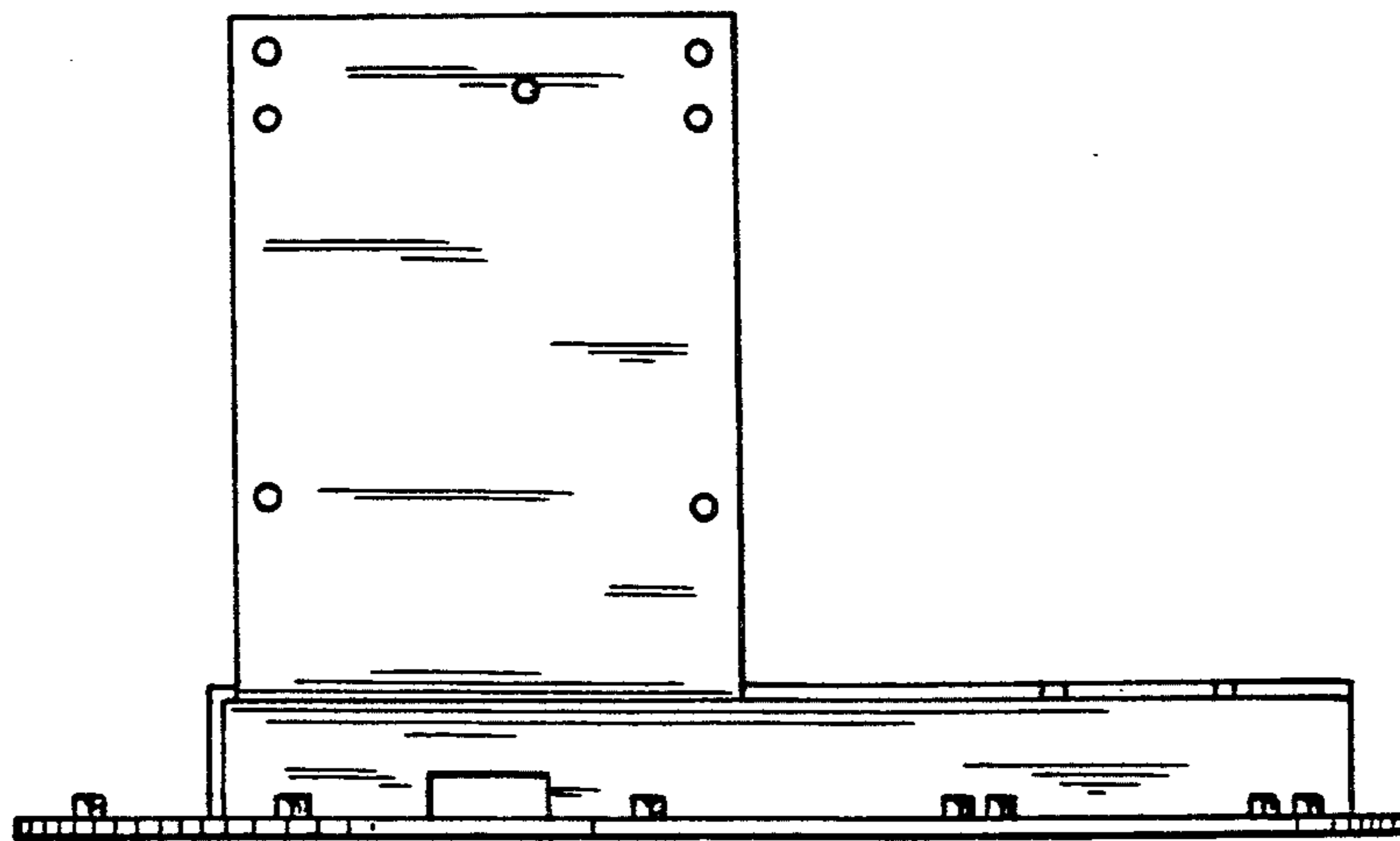


FIG. 1

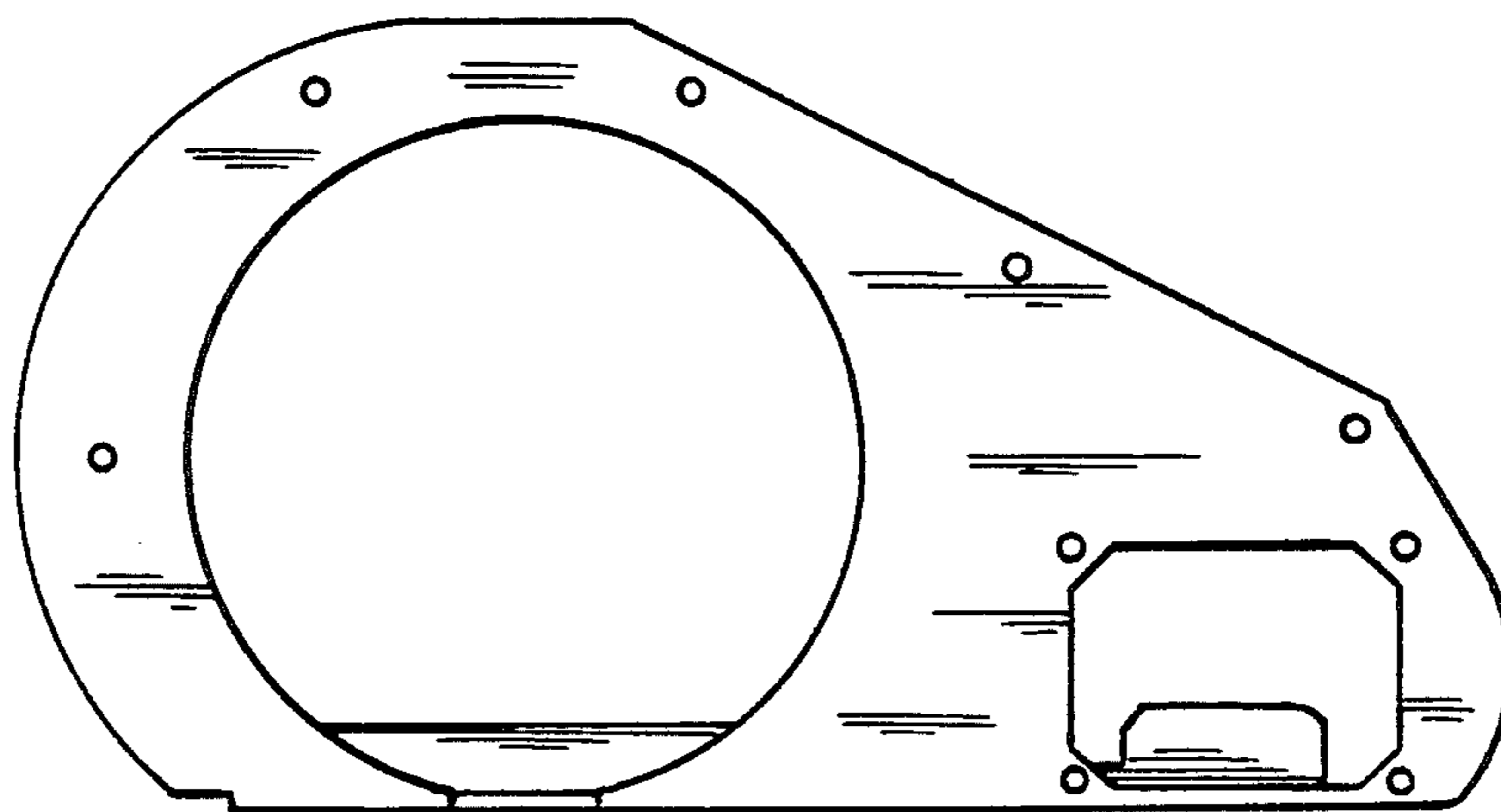


FIG. 2

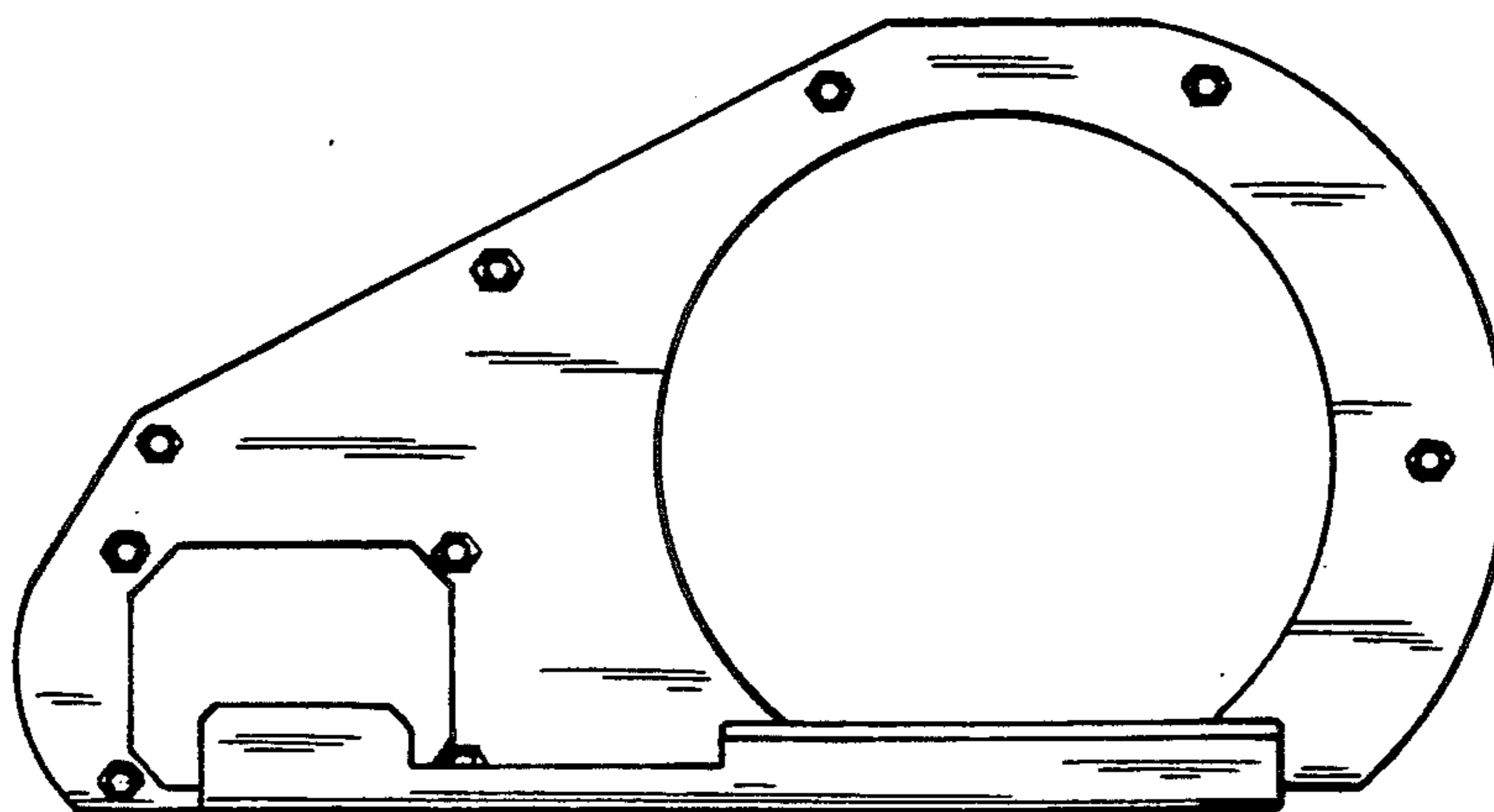


FIG. 3

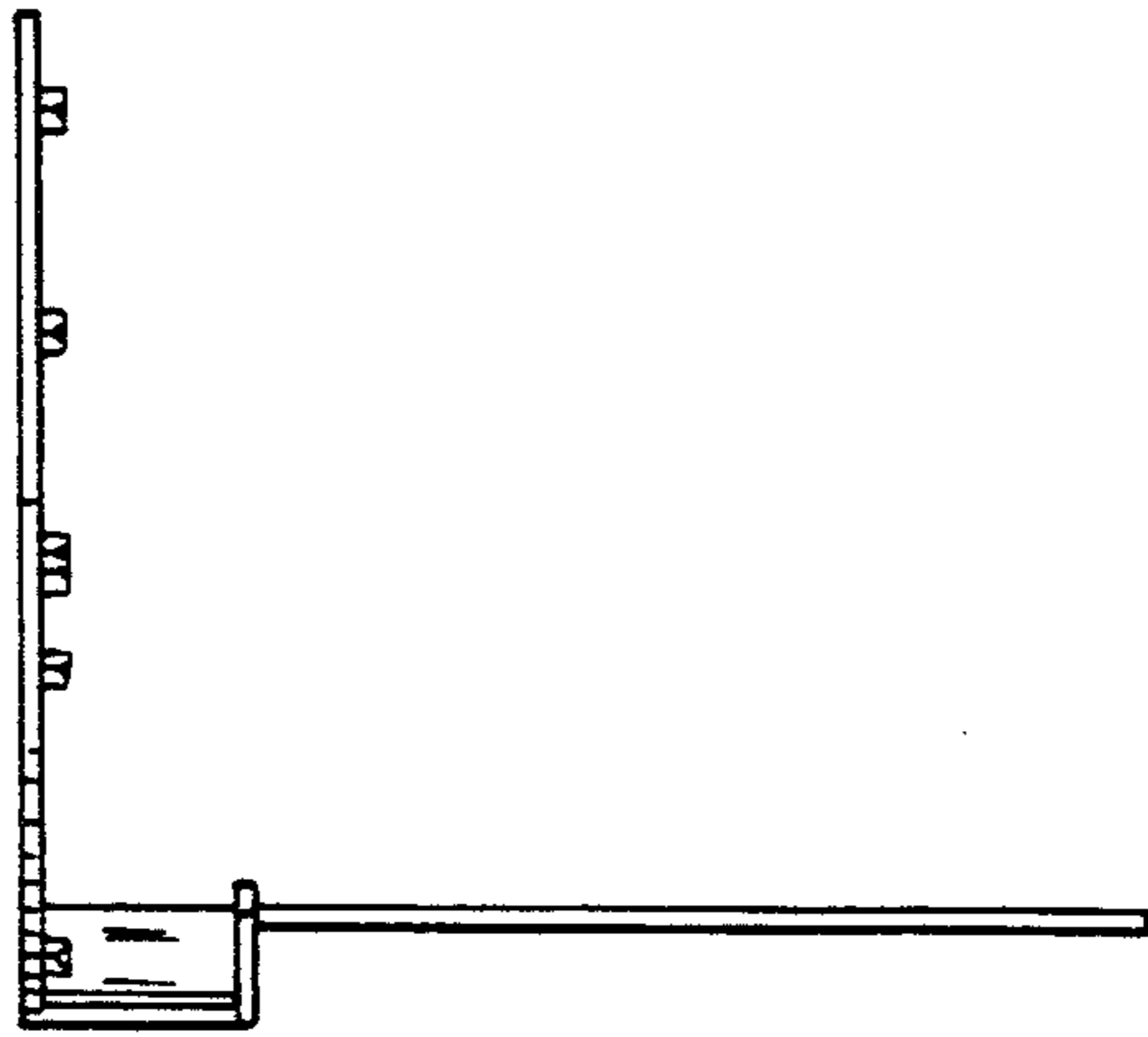


FIG. 4

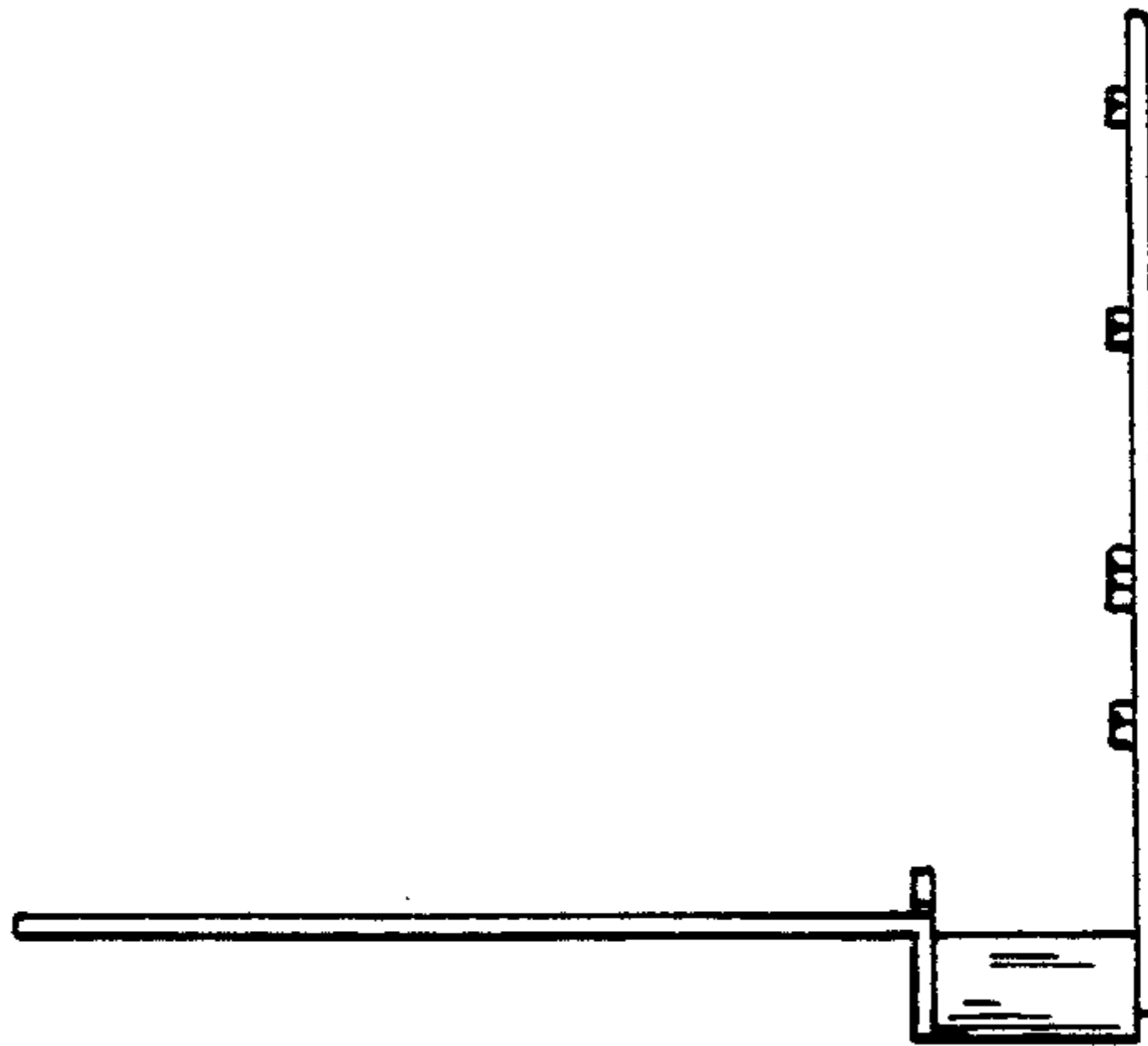


FIG. 5

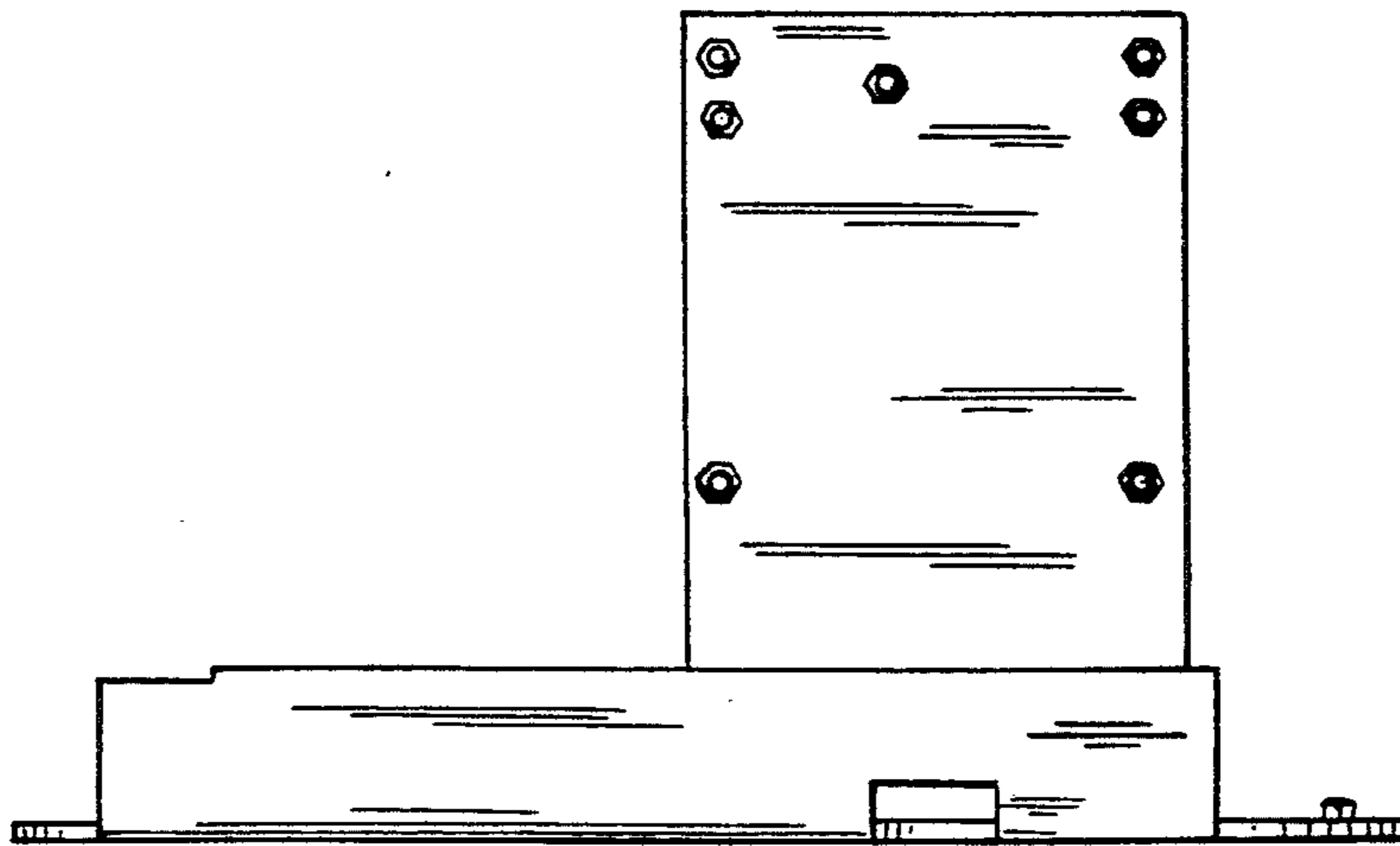


FIG. 6