



US00D328640S

United States Patent [19]

Conger, IV

[11] Patent Number: **Des. 328,640**

[45] Date of Patent: **** Aug. 11, 1992**

[54] **CASING FOR A HOT TUB AIR BLOWER**

[76] Inventor: **William W. Conger, IV**, 9552 Orange Ave., Anaheim, Calif. 92804

[**] Term: **14 Years**

[21] Appl. No.: **435,081**

[22] Filed: **Nov. 13, 1989**

[52] U.S. Cl. **D23/383**

[58] Field of Search **D23/383, 370;**
415/214.1, 200, 213.1; 417/423.14, 423.3;
403/1, 24, 335, 337; 285/368, 412

[56] **References Cited**

U.S. PATENT DOCUMENTS

D. 34,884	7/1901	Keiper	D23/383
D. 168,924	3/1953	Colvin	D23/370
2,747,898	5/1956	Wiltse	285/368

2,788,103	4/1957	Requa	403/1
3,625,626	12/1971	Lester	415/214.1
4,248,570	2/1981	Conger, IV	417/423.14
4,429,903	2/1984	Baker	285/368

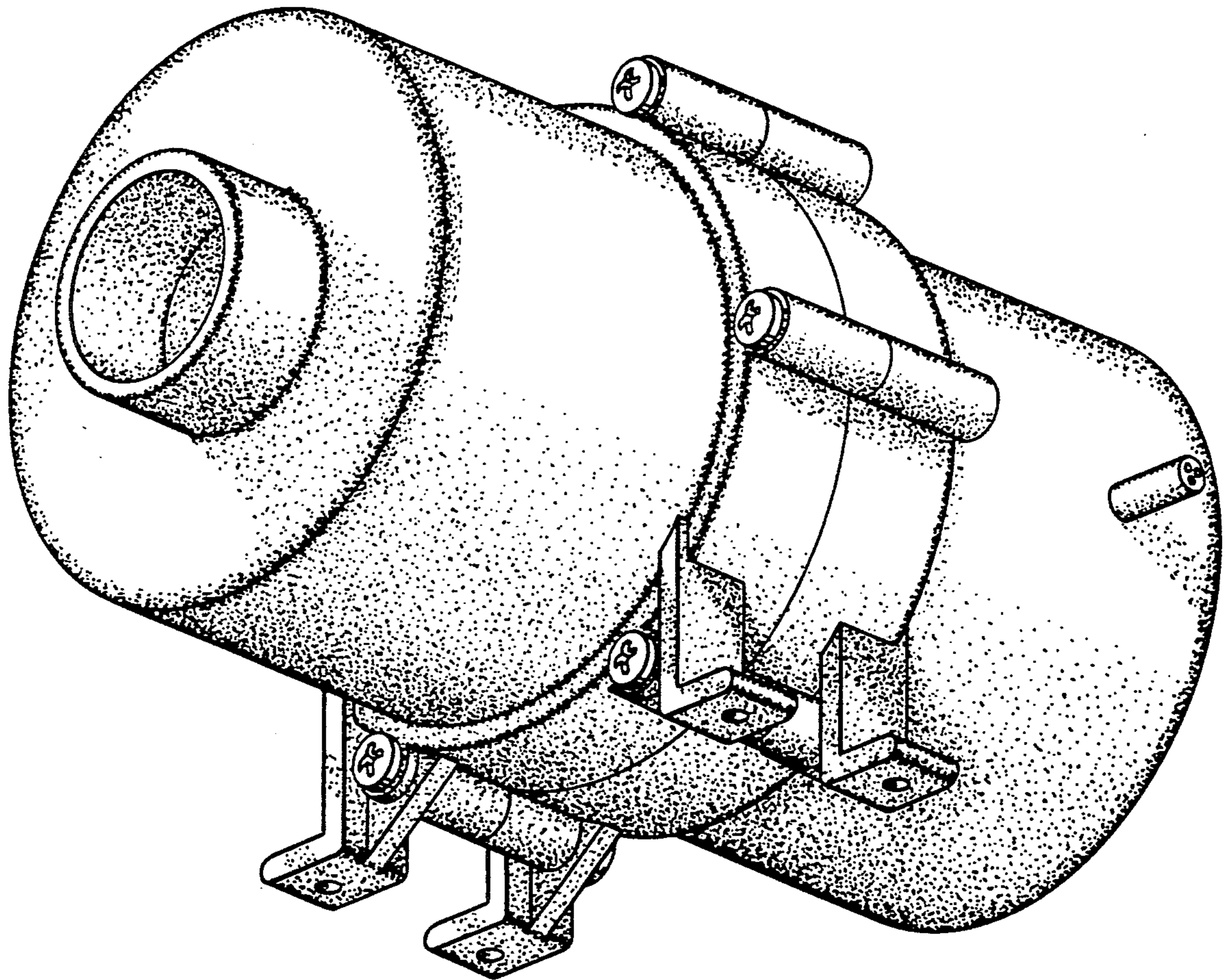
Primary Examiner—Wallace R. Burke
Assistant Examiner—Lisa Lichtenstein
Attorney, Agent, or Firm—Poms, Smith, Lande & Rose

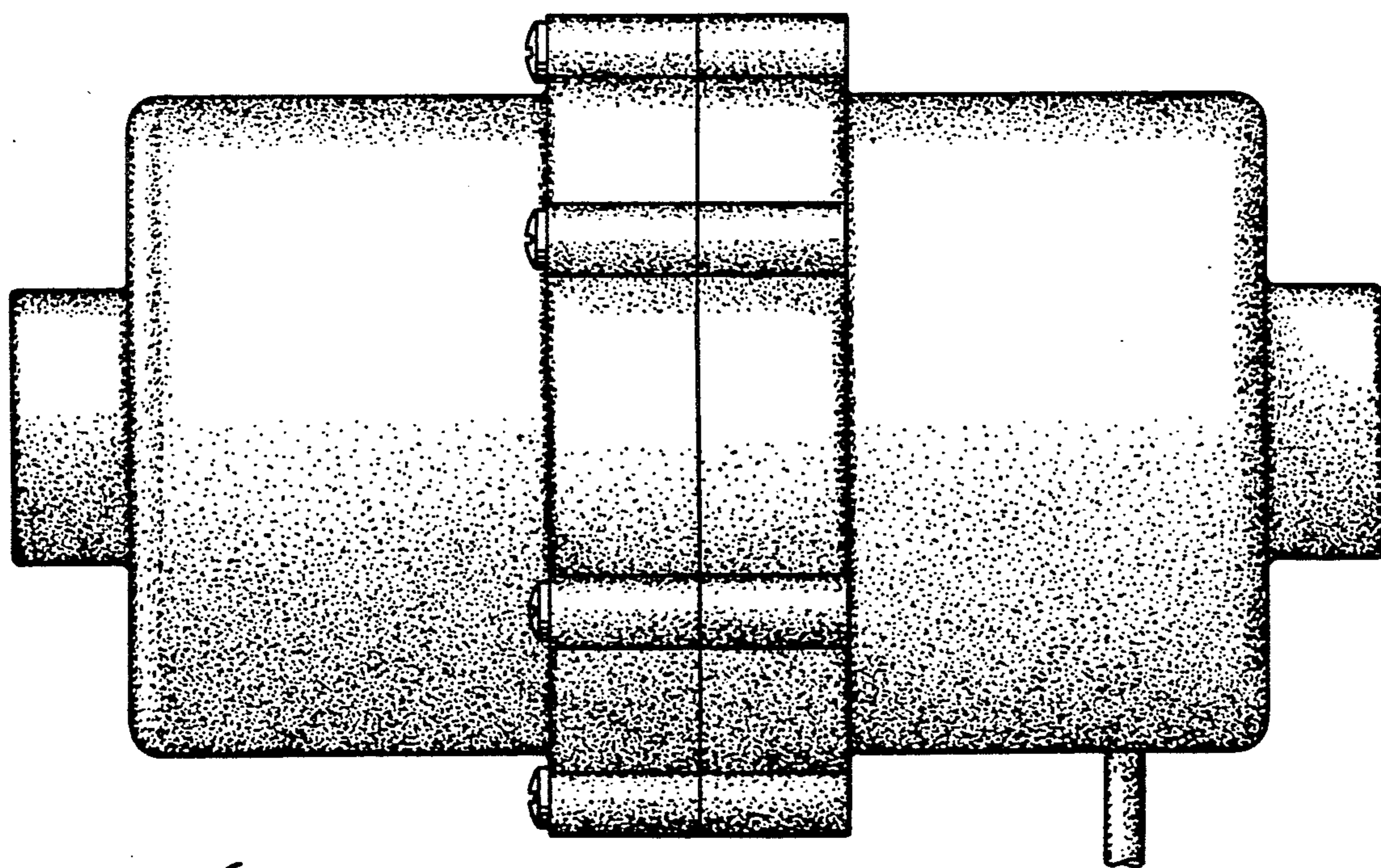
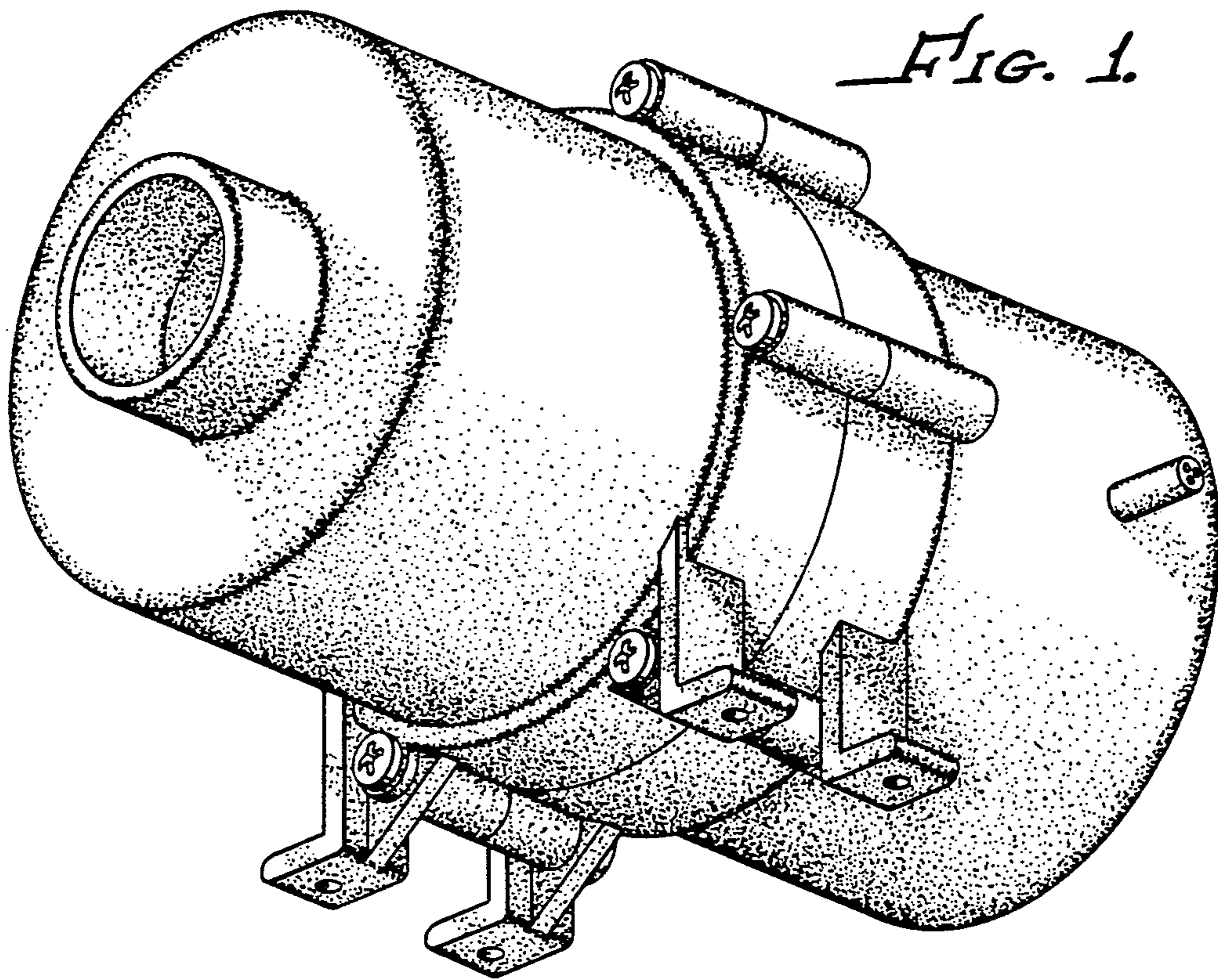
[57] CLAIM

The design for a casing for a hot tub air blower, as shown.

DESCRIPTION

FIG. 1 is a bottom and left side perspective view of a casing for a hot tub air blower showing my new design; FIG. 2 is a top plan view thereof; FIG. 3 is a right side elevation view thereof; FIG. 4 is a front elevation view thereof; and, FIG. 5 is a rear elevation view thereof.





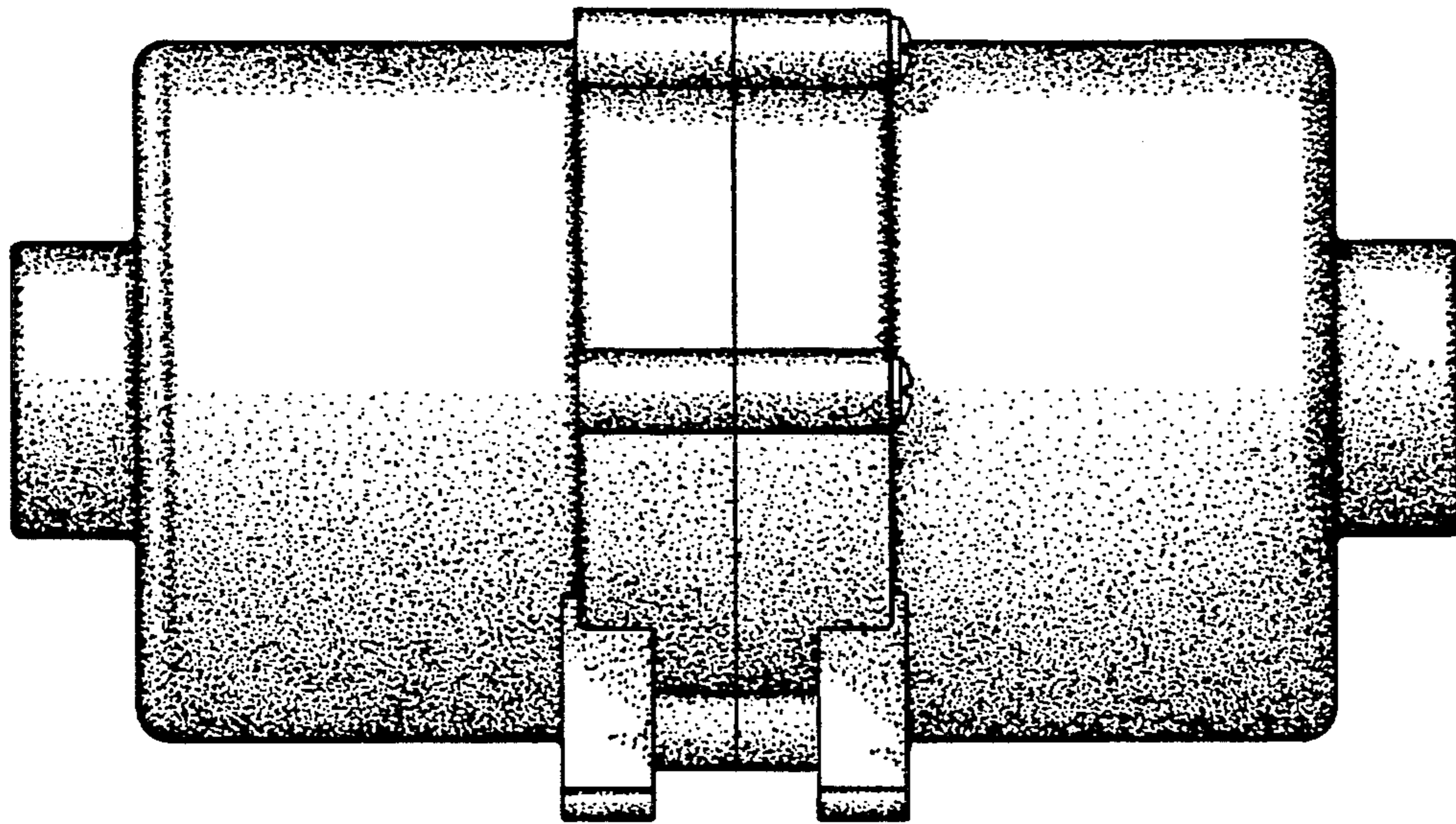


FIG. 3.

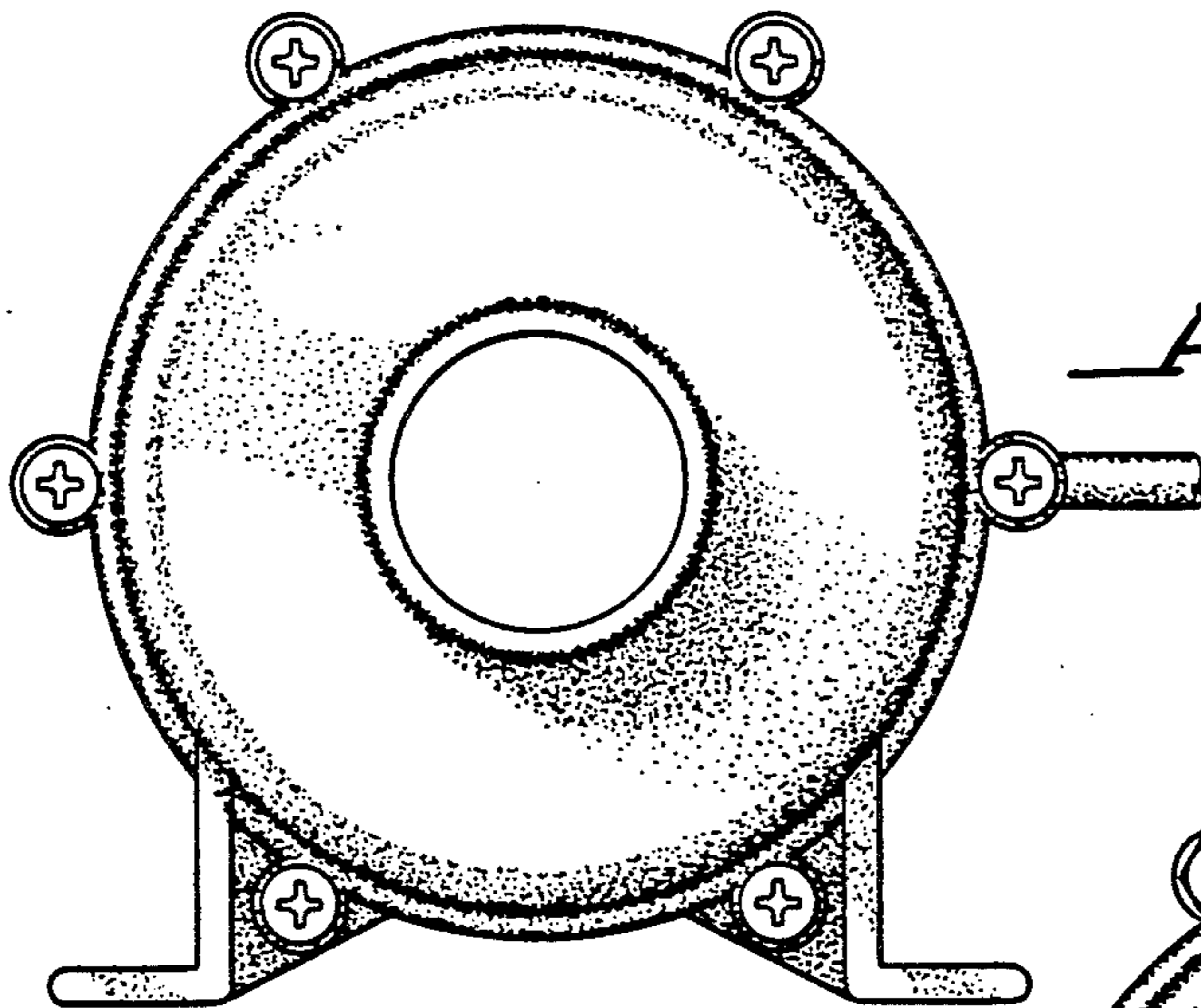


FIG. 4.

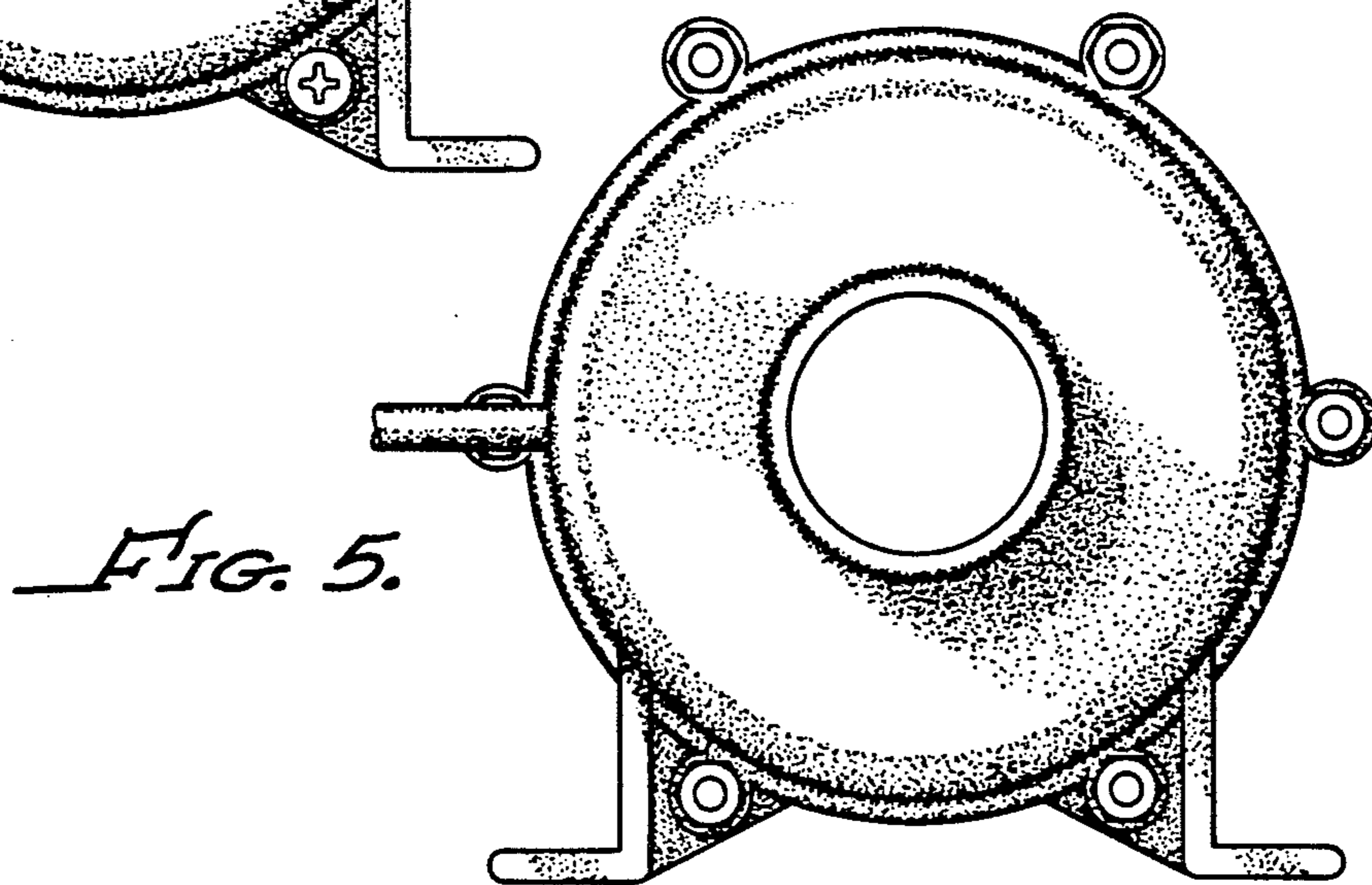


FIG. 5.