



US00D328639S

United States Patent [19]

[11] Patent Number: **Des. 328,639**

Hsieh

[45] Date of Patent: **** Aug. 11, 1992**

[54] **COMBINED CEILING FAN AND LIGHT**

[75] Inventor: **Joseph Hsieh, Taichung, Taiwan**

[73] Assignee: **Royal Sovereign Corporation, Englewood Cliffs, N.J.**

[**] Term: **14 Years**

[21] Appl. No.: **717,705**

[22] Filed: **Jun. 19, 1991**

[52] U.S. Cl. **D23/377**

[58] Field of Search **D23/377, 385, 379; 416/5, 244 R; 392/362, 364; 362/96, 234, 404, 147**

[56] **References Cited**

U.S. PATENT DOCUMENTS

| | | | | |
|------------|---------|----------|-------|-----------|
| D. 270,942 | 10/1983 | McCain | | D23/379 |
| D. 298,052 | 10/1988 | Sonneman | | D23/385 |
| D. 304,229 | 10/1989 | Rezek | | D23/377 |
| 3,033,049 | 5/1962 | Morrow | | 416/244 R |
| 4,342,073 | 7/1982 | Ranten | | 416/5 |
| 4,884,947 | 12/1989 | Rezek | | 416/5 |

FOREIGN PATENT DOCUMENTS

761140 1/1934 France 362/404

OTHER PUBLICATIONS

Hong Kong Enterprise Nov. 1986, p. 150, ceiling fan (A), middle right side of page.

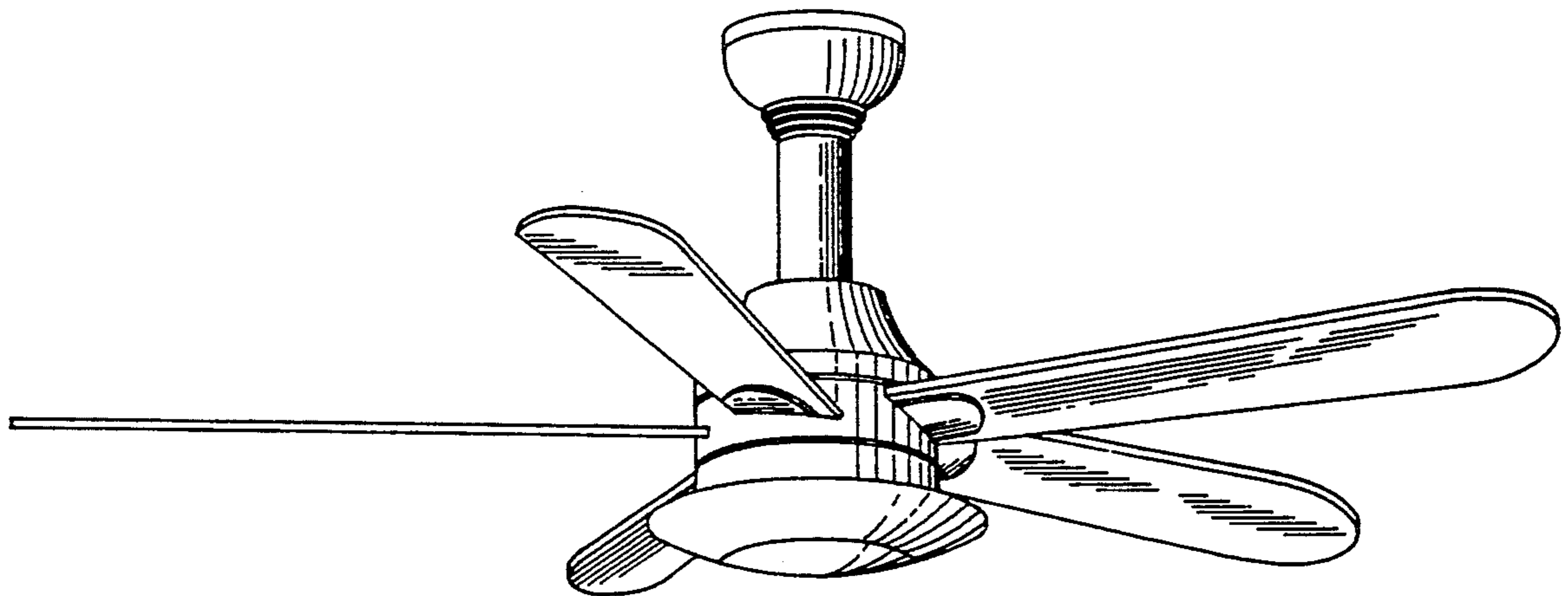
Primary Examiner—Wallace R. Burke
Assistant Examiner—Lisa Lichtenstein
Attorney, Agent, or Firm—Dallett Hoopes

[57] **CLAIM**

The ornamental design for a combined ceiling fan and light, as shown and described.

DESCRIPTION

FIG. 1 is a bottom plan view of a combined ceiling fan and light showing my new design; FIG. 2 is a bottom and side perspective view thereof; FIG. 3 is an enlarged side elevation view thereof, the other three sides being identical to that shown; and, FIG. 4 is a top plan view thereof.



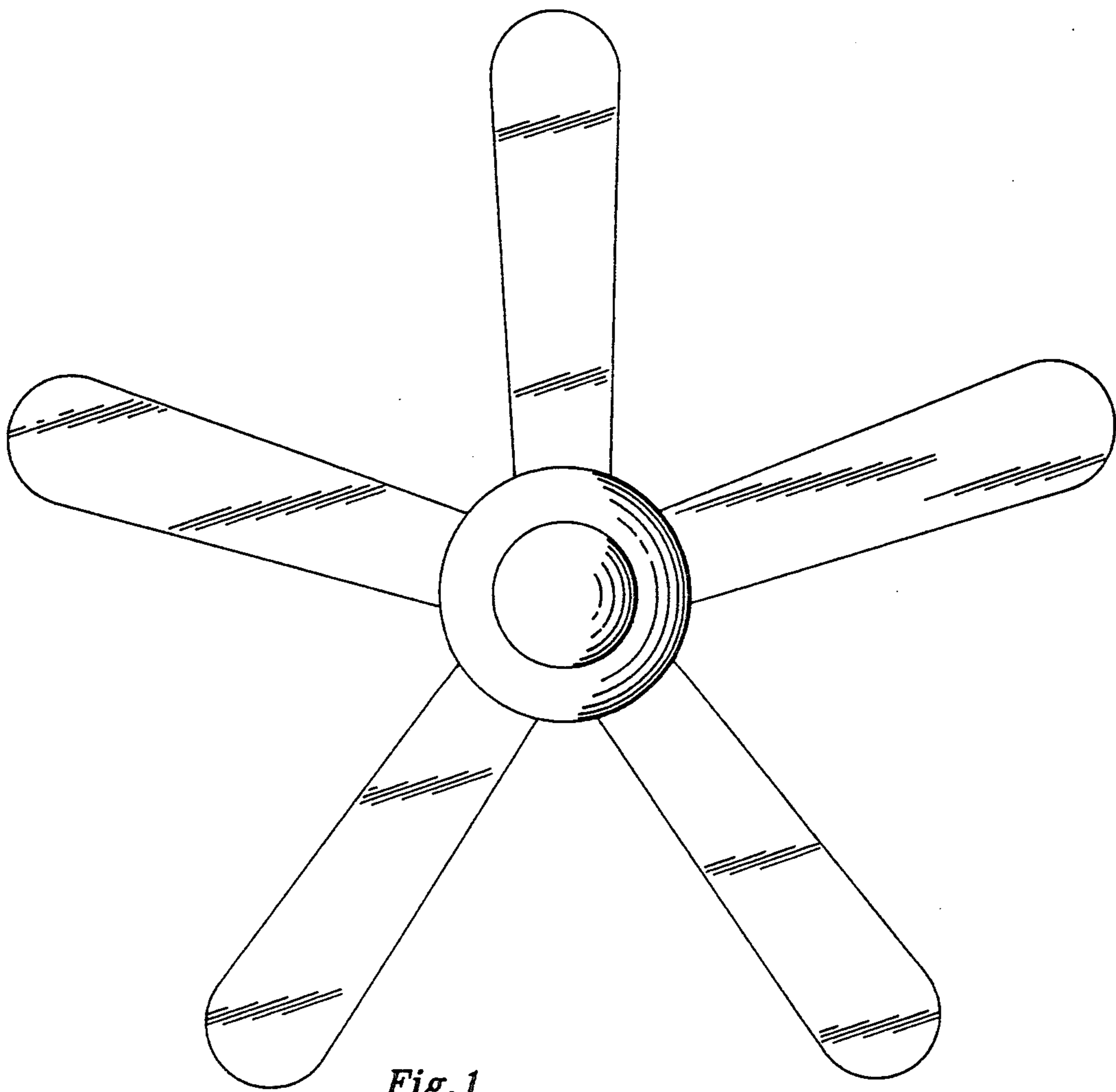


Fig. 1

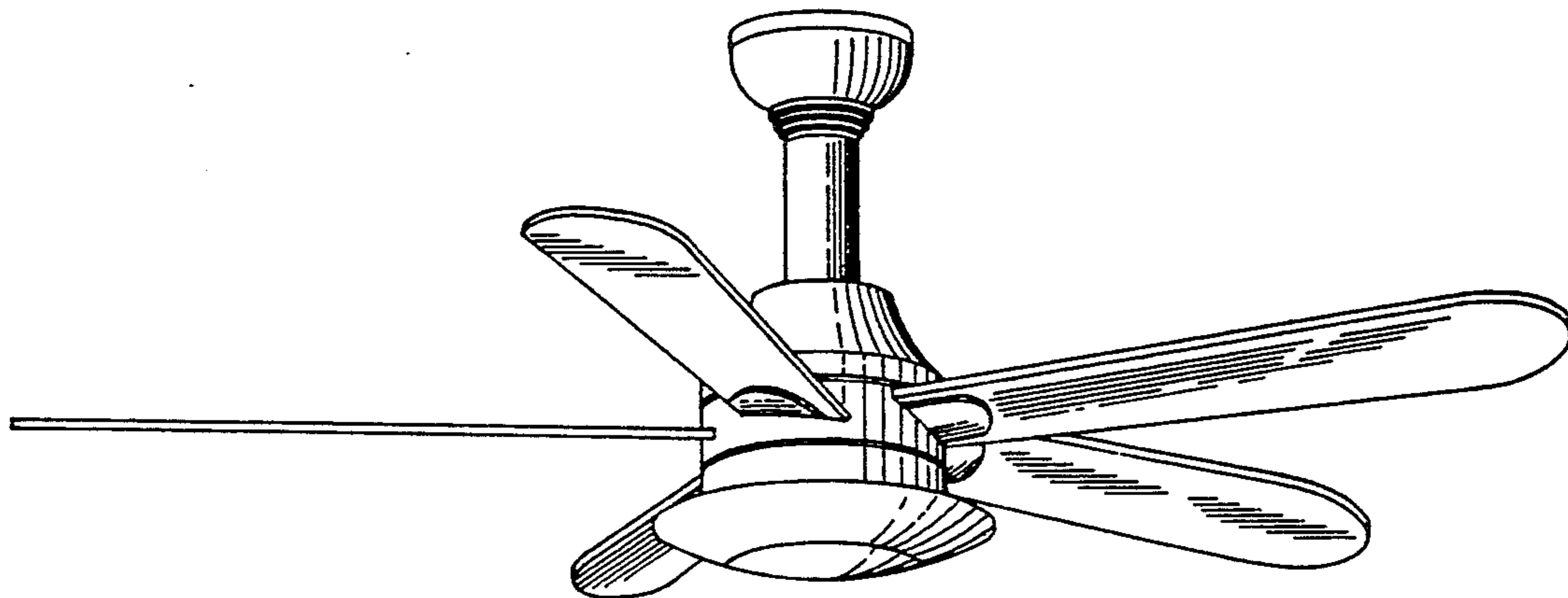


Fig. 2

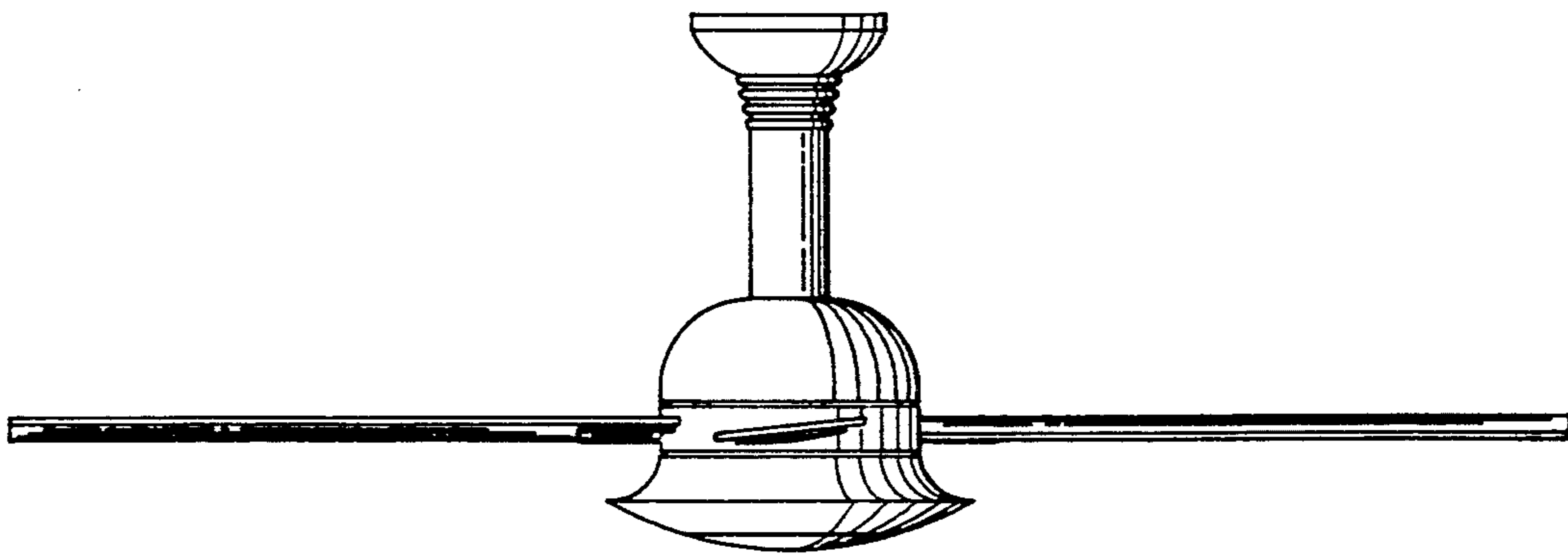


Fig. 3

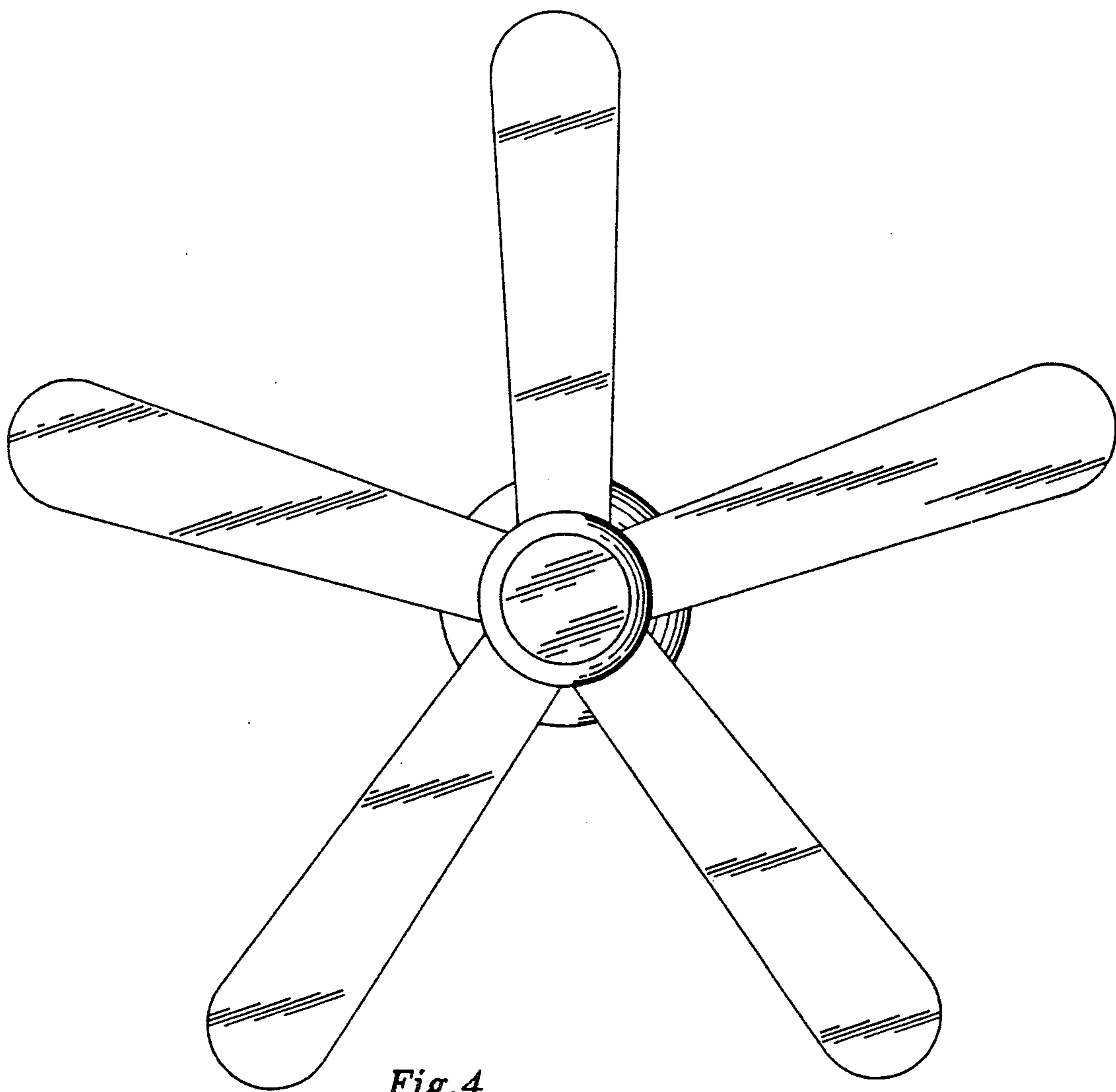


Fig. 4