



US00D328638S

United States Patent [19]

[11] Patent Number: **Des. 328,638**

Hsieh

[45] Date of Patent: **** Aug. 11, 1992**

[54] **CEILING FAN**

[75] Inventor: **Joseph Hsieh, Taichung, Taiwan**

[73] Assignee: **Royal Sovereign Corporation,
Englewood Cliffs, N.J.**

[**] Term: **14 Years**

[21] Appl. No.: **717,704**

[22] Filed: **Jun. 19, 1991**

[52] U.S. Cl. **D23/377; D26/85;
D26/59**

[58] Field of Search **D23/377-379,
D23/385, 413, 411; D26/85, 59, 81-84, 86, 88,
51, 72; 392/364; 362/96, 363; 416/5**

[56] **References Cited**

U.S. PATENT DOCUMENTS

D. 42,580	6/1912	Hotchkin	D26/81
D. 56,467	10/1920	Newland	D26/81
D. 82,179	9/1930	Ringwald	416/5
D. 297,360	8/1988	Cheslock	D23/379

D. 314,046	1/1991	Yen	D23/377
1,077,983	11/1913	Horn	362/363
4,342,073	7/1982	Ranten	D23/377
4,884,947	12/1989	Rezek	416/5

OTHER PUBLICATIONS

Metropolitan Home (Sep. '89), p. 32, Exhibit B.

Primary Examiner—Wallace R. Burke

Assistant Examiner—Lisa Lichtenstein

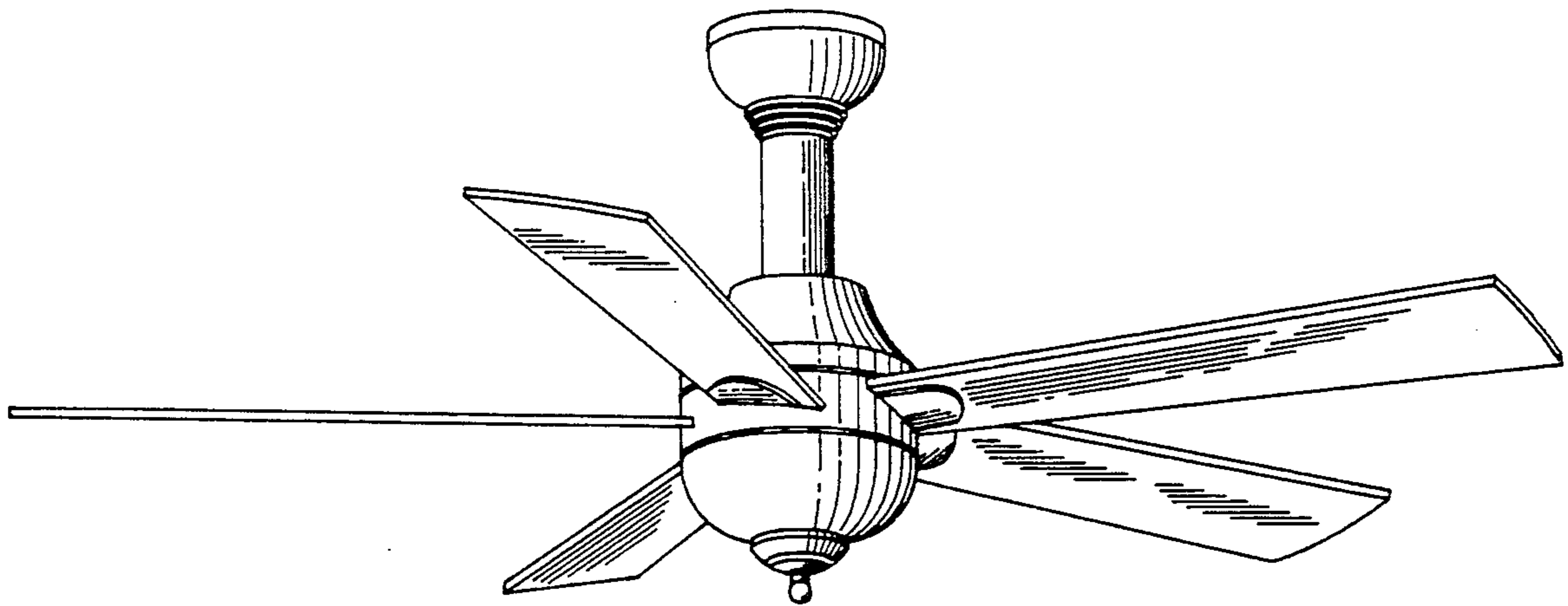
Attorney, Agent, or Firm—Dallett Hoopes

[57] CLAIM

The ornamental design for a ceiling fan, as shown and described.

DESCRIPTION

FIG. 1 is a bottom and front perspective view of a ceiling fan showing my new design;
 FIG. 2 is a side elevation view thereof, the opposite side being a mirror image of that shown;
 FIG. 3 is a top plan view thereof; and,
 FIG. 4 is a bottom plan view thereof.



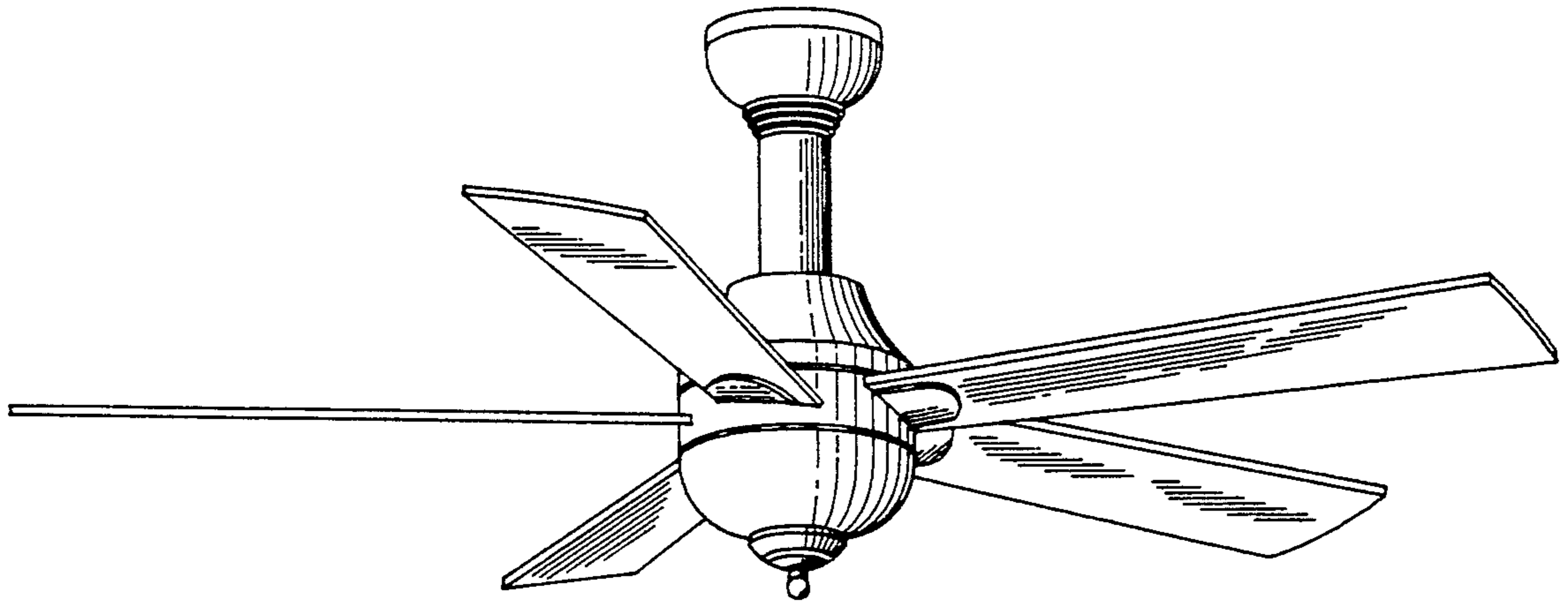


Fig. 1

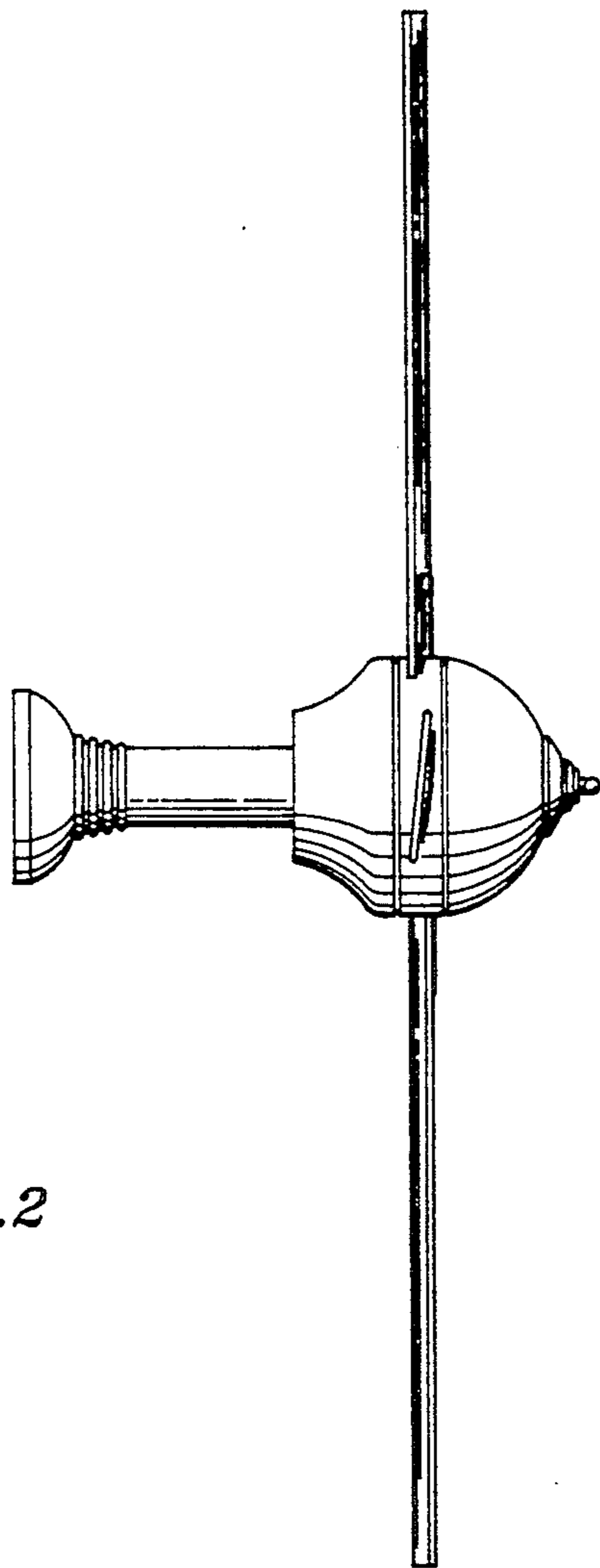


Fig. 2

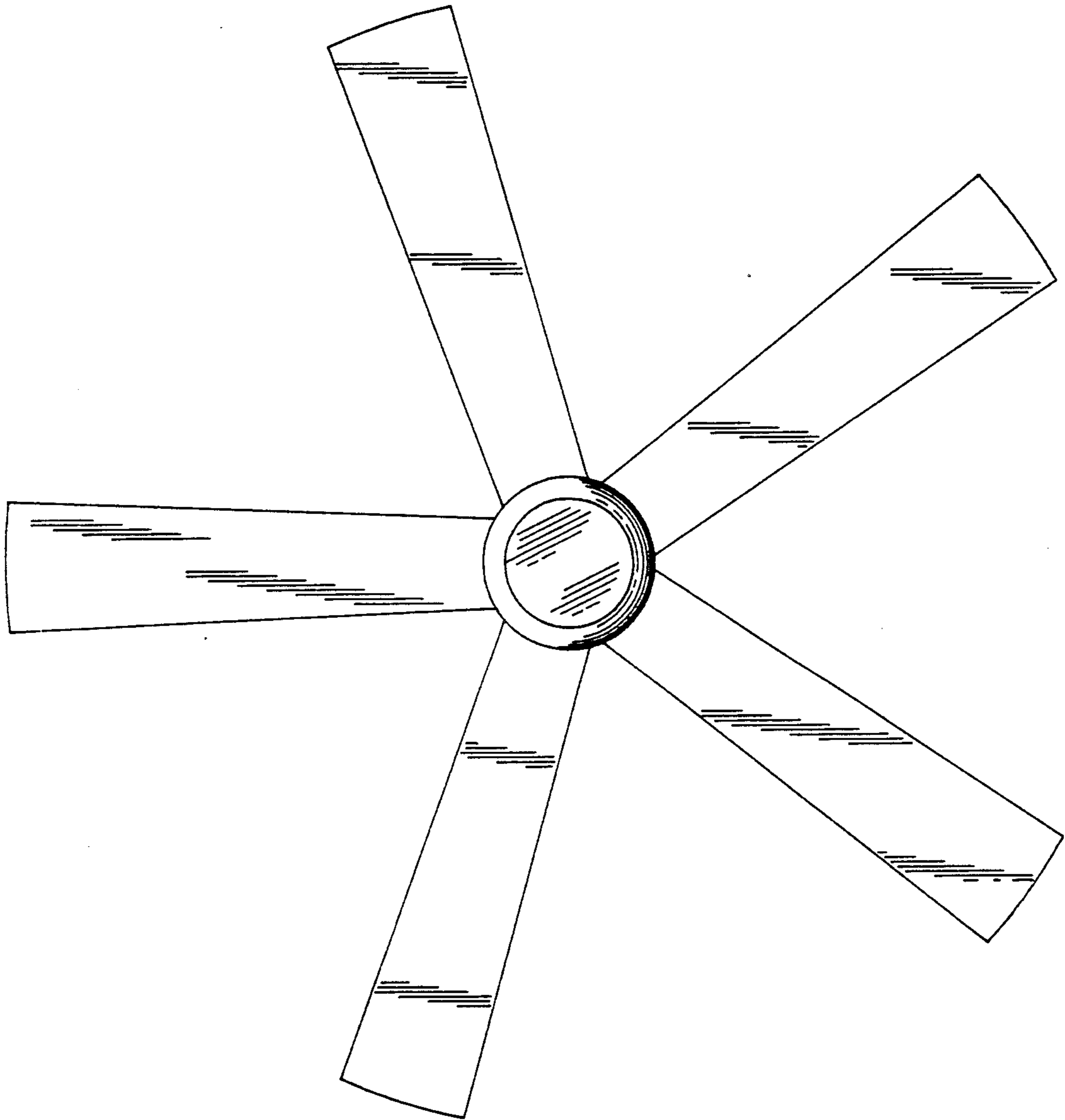


Fig. 3

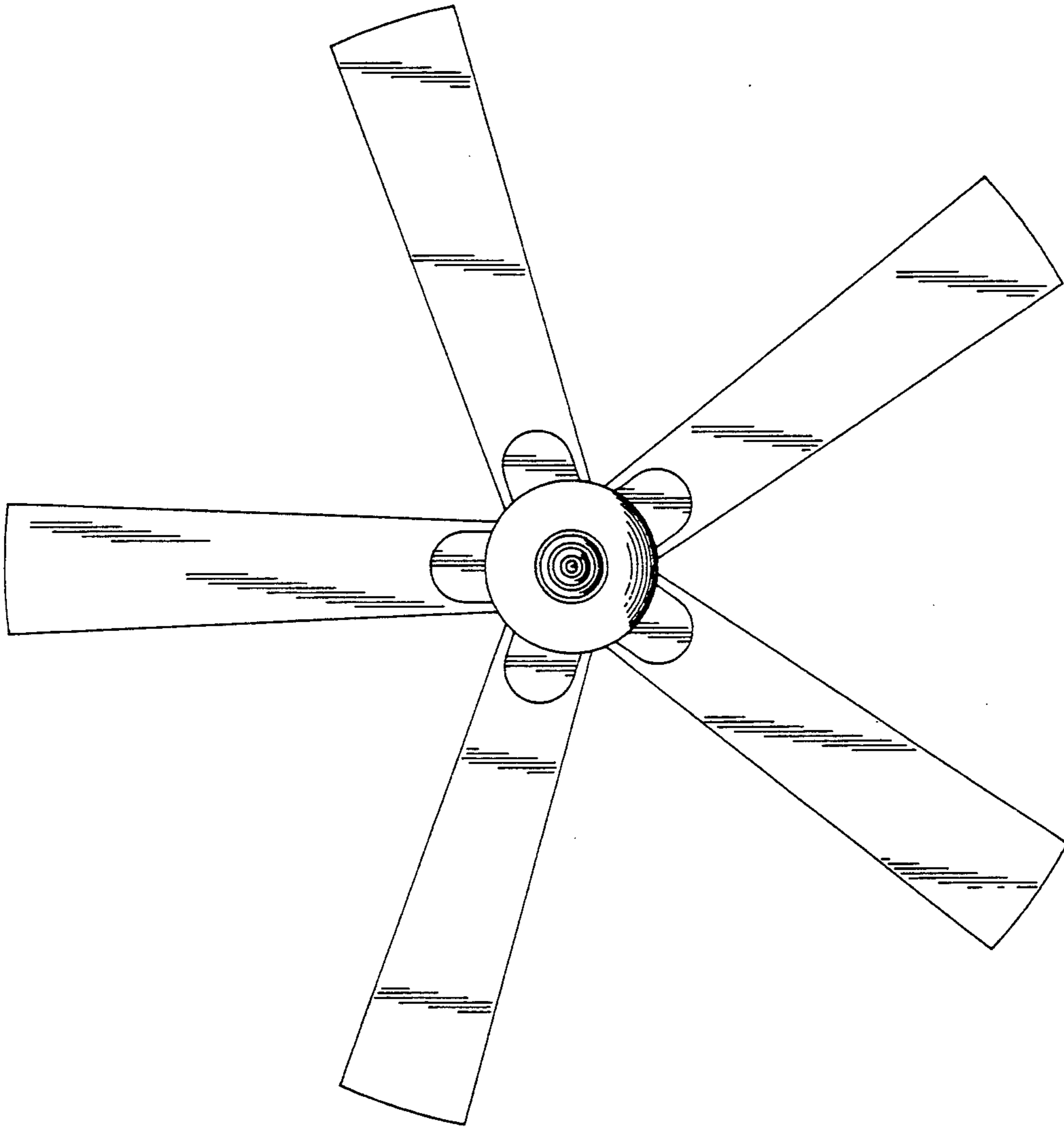


Fig. 4