



US00D328635S

United States Patent [19]

[11] Patent Number: Des. 328,635

Matuschek

[45] Date of Patent: ** Aug. 11, 1992

[54] SPRAYER

D. 282,274	1/1986	Buroff	D23/225
D. 309,654	7/1990	Roman	D23/226
3,093,318	6/1963	Chow	239/456
4,550,863	11/1985	Faney	239/414 X
4,955,546	9/1990	Liau	239/448 X

[75] Inventor: Walter Matuschek, Aalen, Fed. Rep. of Germany

[73] Assignee: Wella Aktiengesellschaft, Darmstadt, Fed. Rep. of Germany

[**] Term: 14 Years

Primary Examiner—Susan J. Lucas
Assistant Examiner—M. H. Tung
Attorney, Agent, or Firm—Michael J. Striker

[21] Appl. No.: 609,456

[57] CLAIM

[22] Filed: Nov. 5, 1990

The ornamental design for a sprayer, as shown and described.

[30] Foreign Application Priority Data

May 3, 1990 [DE] Fed. Rep. of Germany 9003115.6

[52] U.S. Cl. D23/226

[58] Field of Search D23/213, 223-229;
239/301, 332, 373, 394, 414-415, 525-528, 554,
556, 532

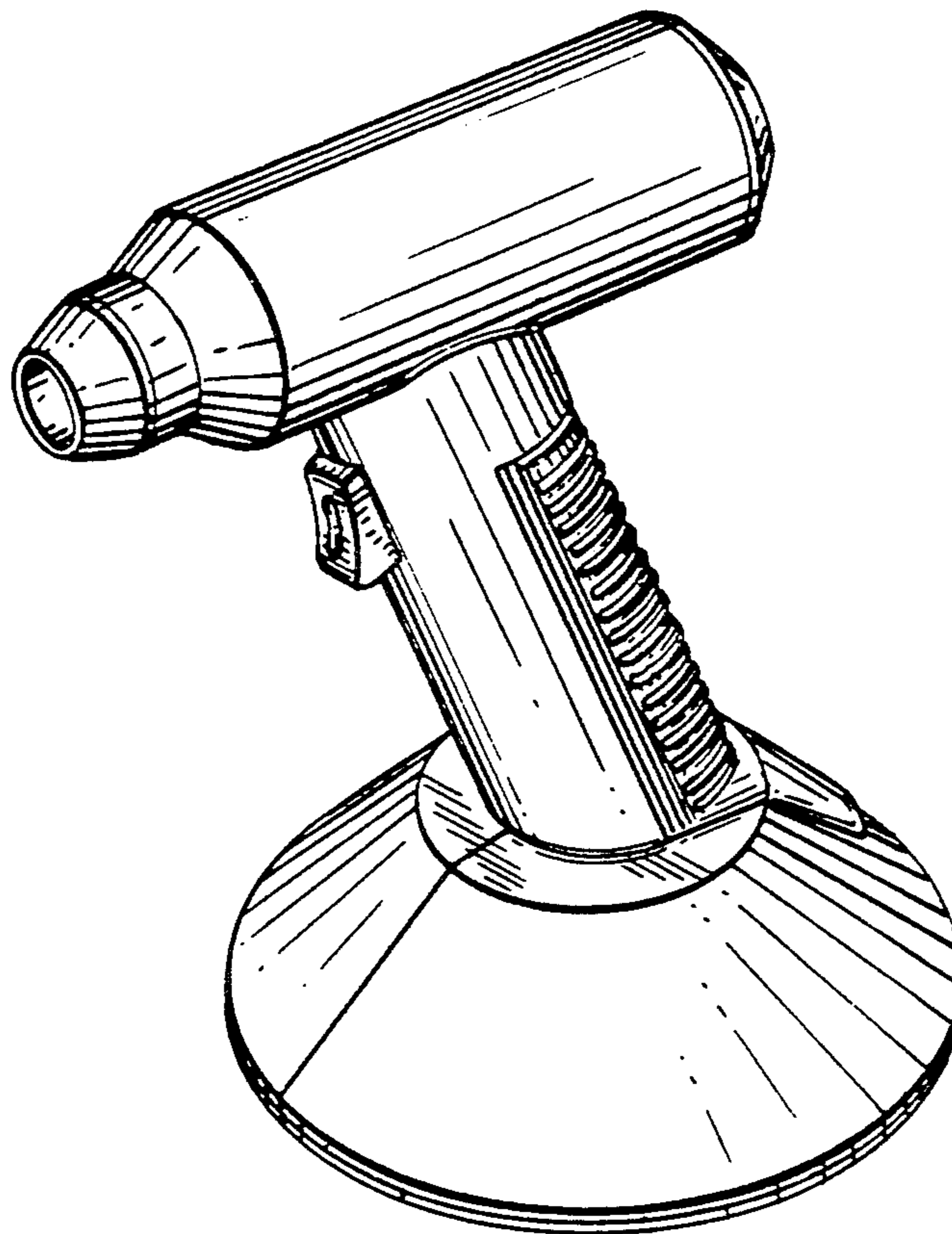
DESCRIPTION

[56] References Cited

U.S. PATENT DOCUMENTS

D. 270,657 9/1983 Clivio et al. D23/226

FIG. 1 is a side elevational view of a sprayer showing my new design;
FIG. 2 is an opposite side elevational view thereof;
FIG. 3 is a rear elevational view thereof;
FIG. 4 is a front elevational view thereof;
FIG. 5 is a top plan view thereof;
FIG. 6 is a bottom plan view thereof;
FIG. 7 is a front perspective view thereof; and,
FIG. 8 is a rear perspective view thereof.



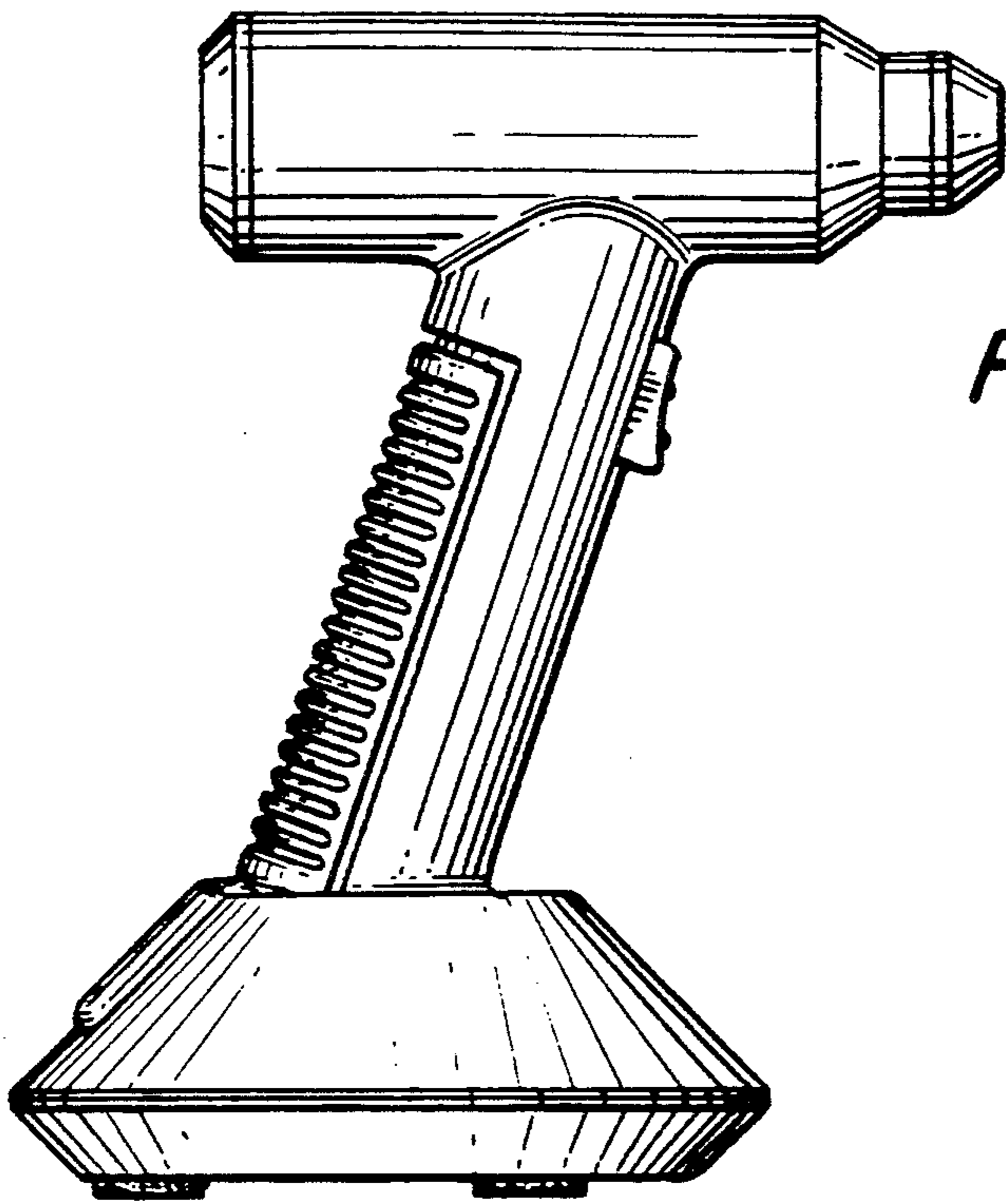


FIG. 1

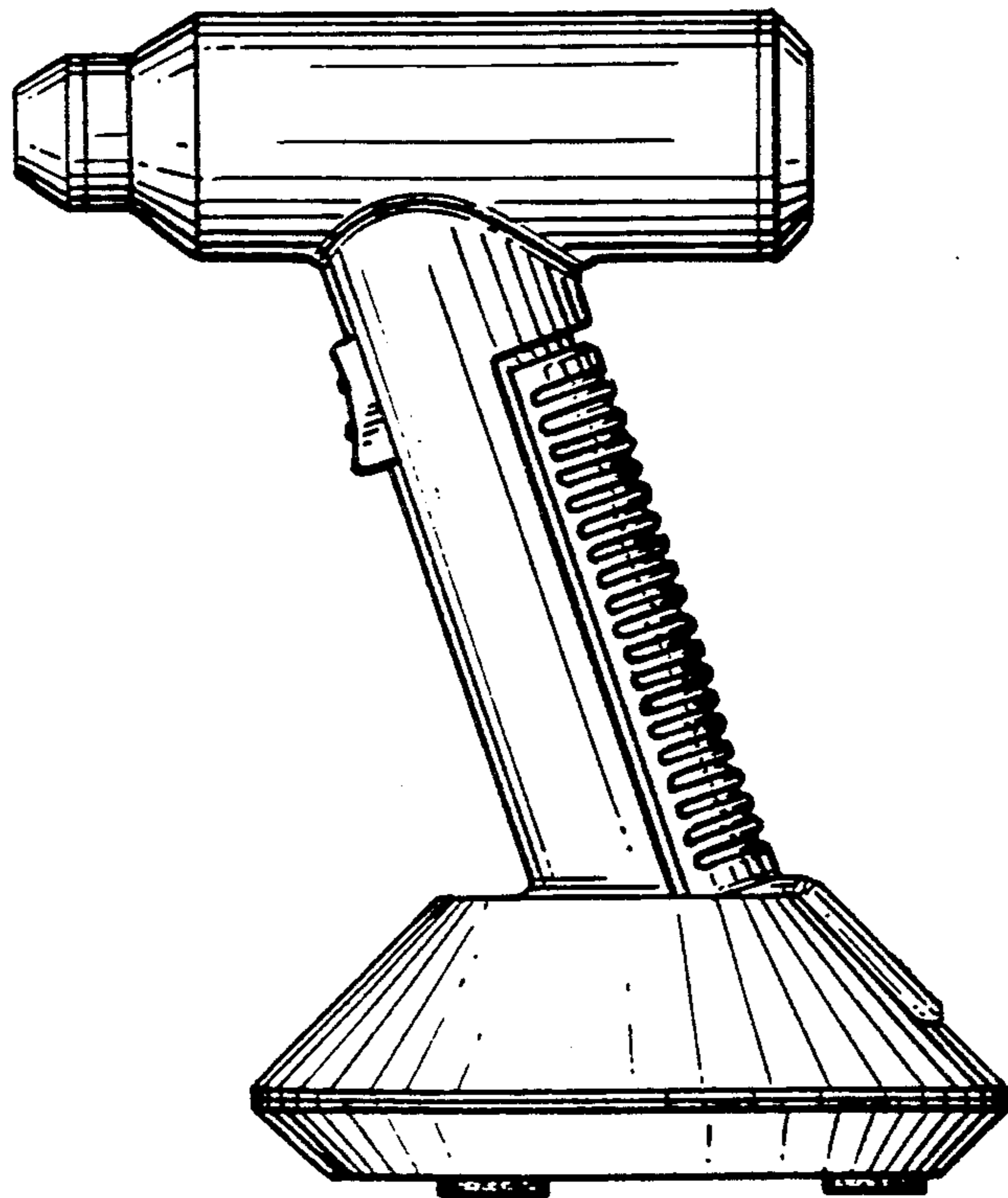


FIG. 2

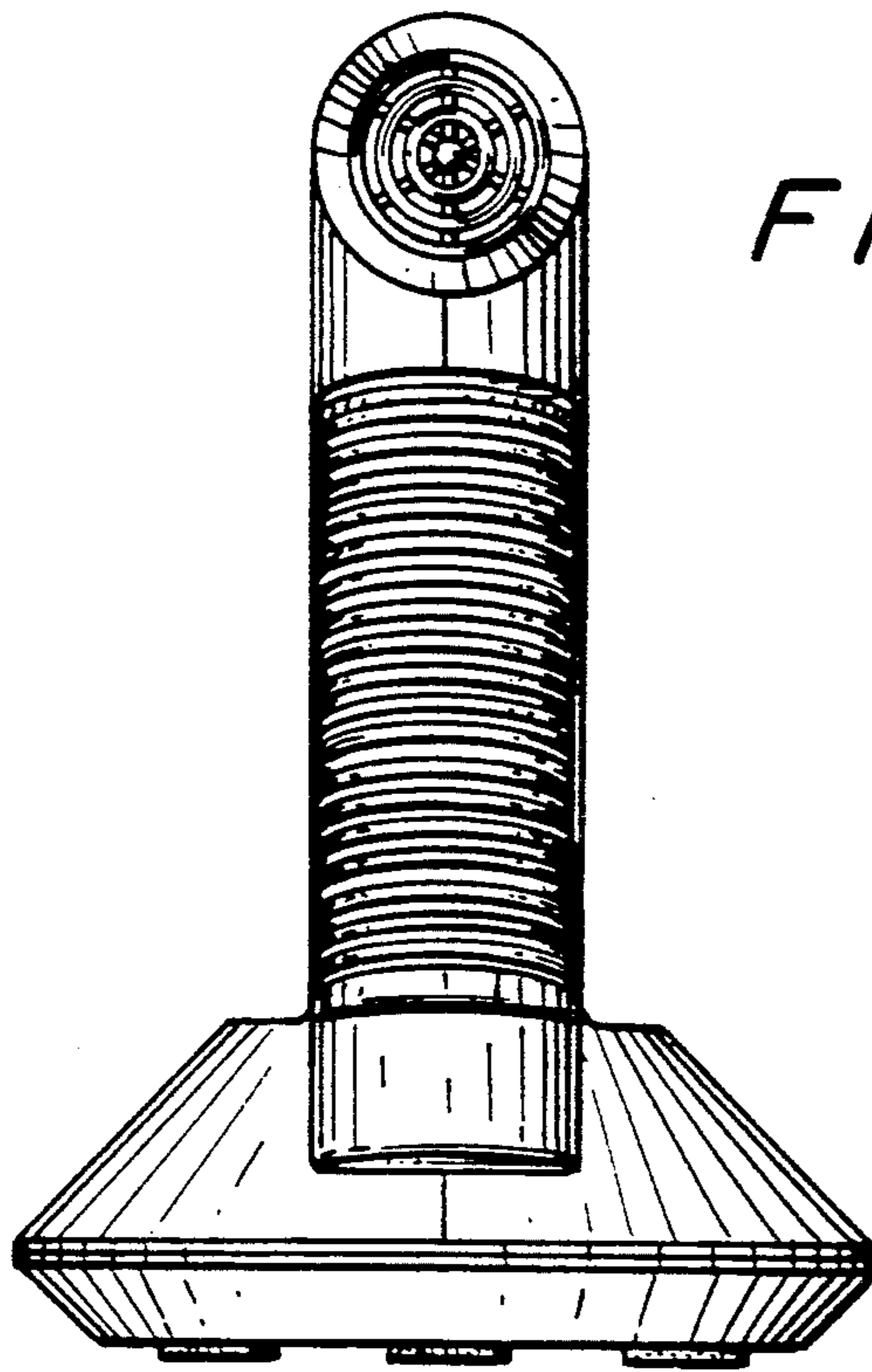


FIG. 3

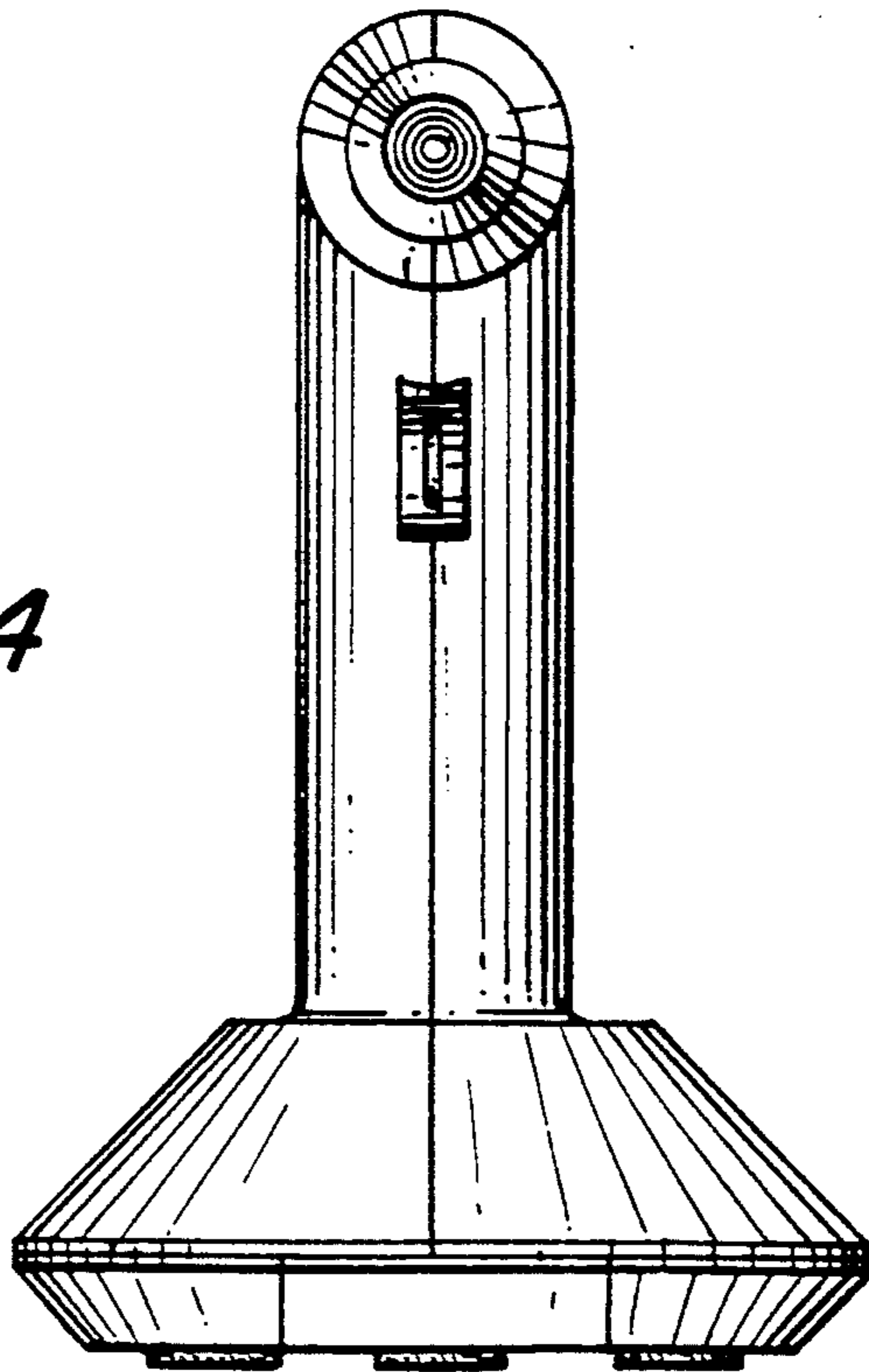


FIG. 4

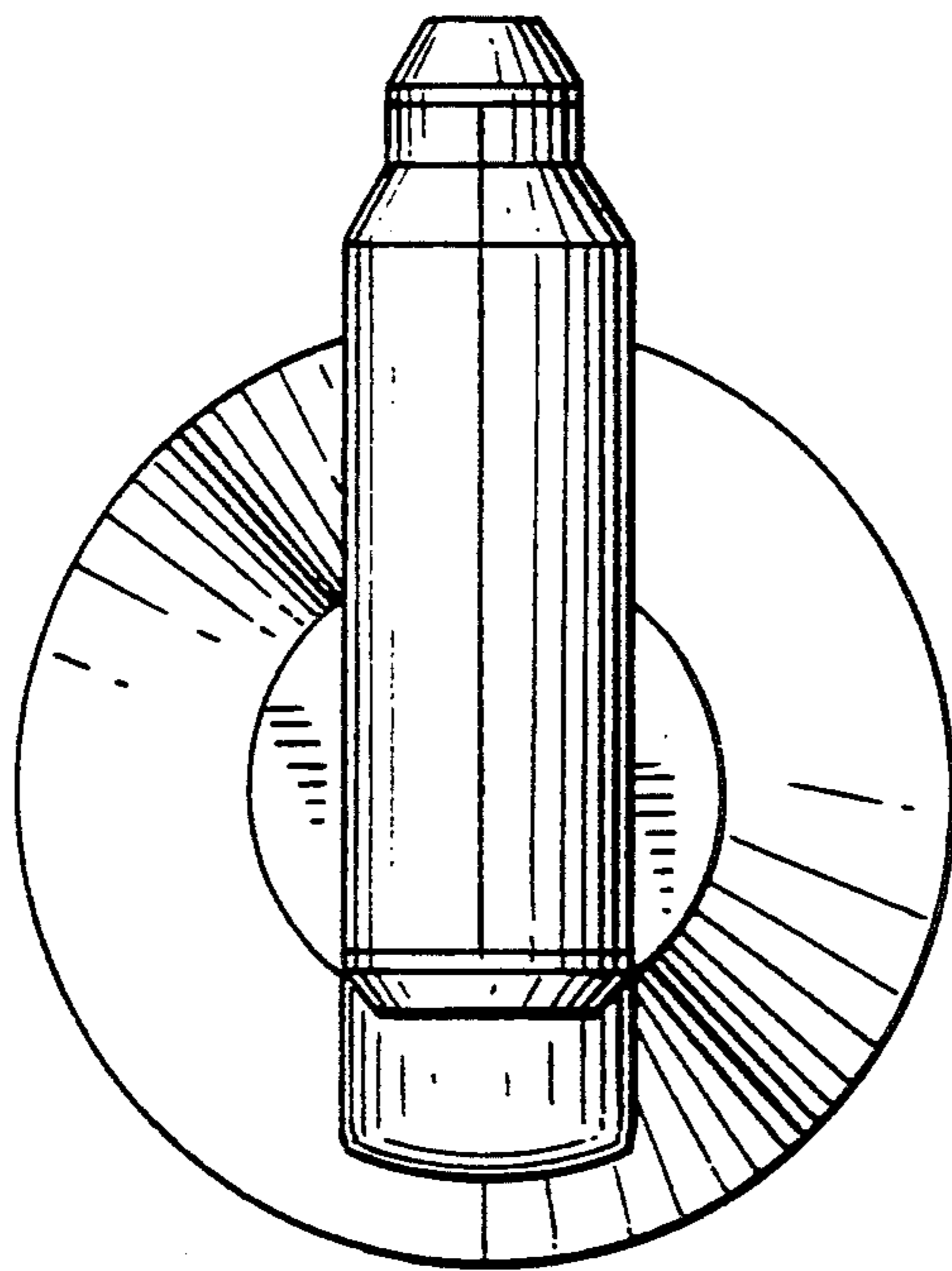


FIG. 5

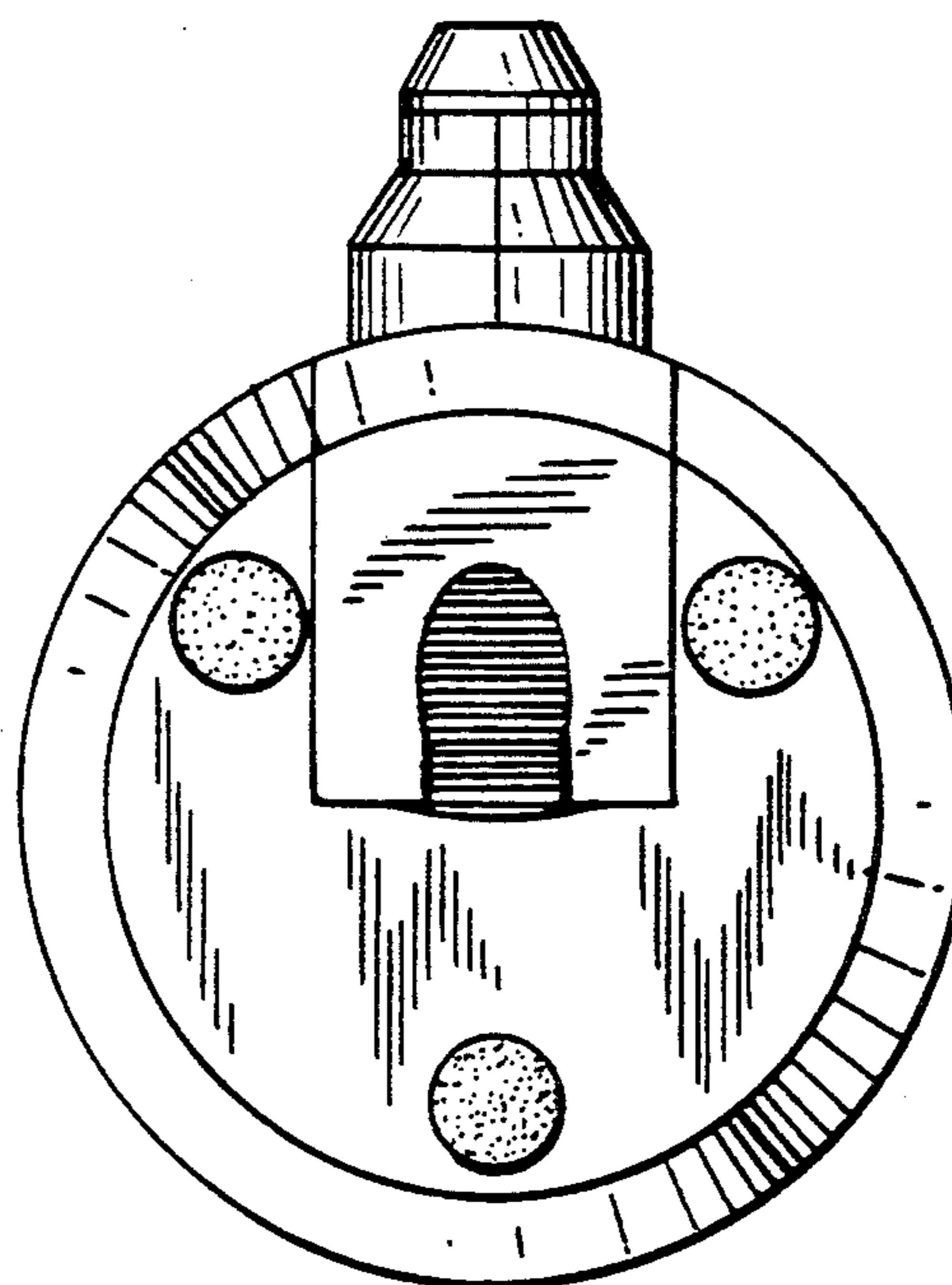


FIG. 6

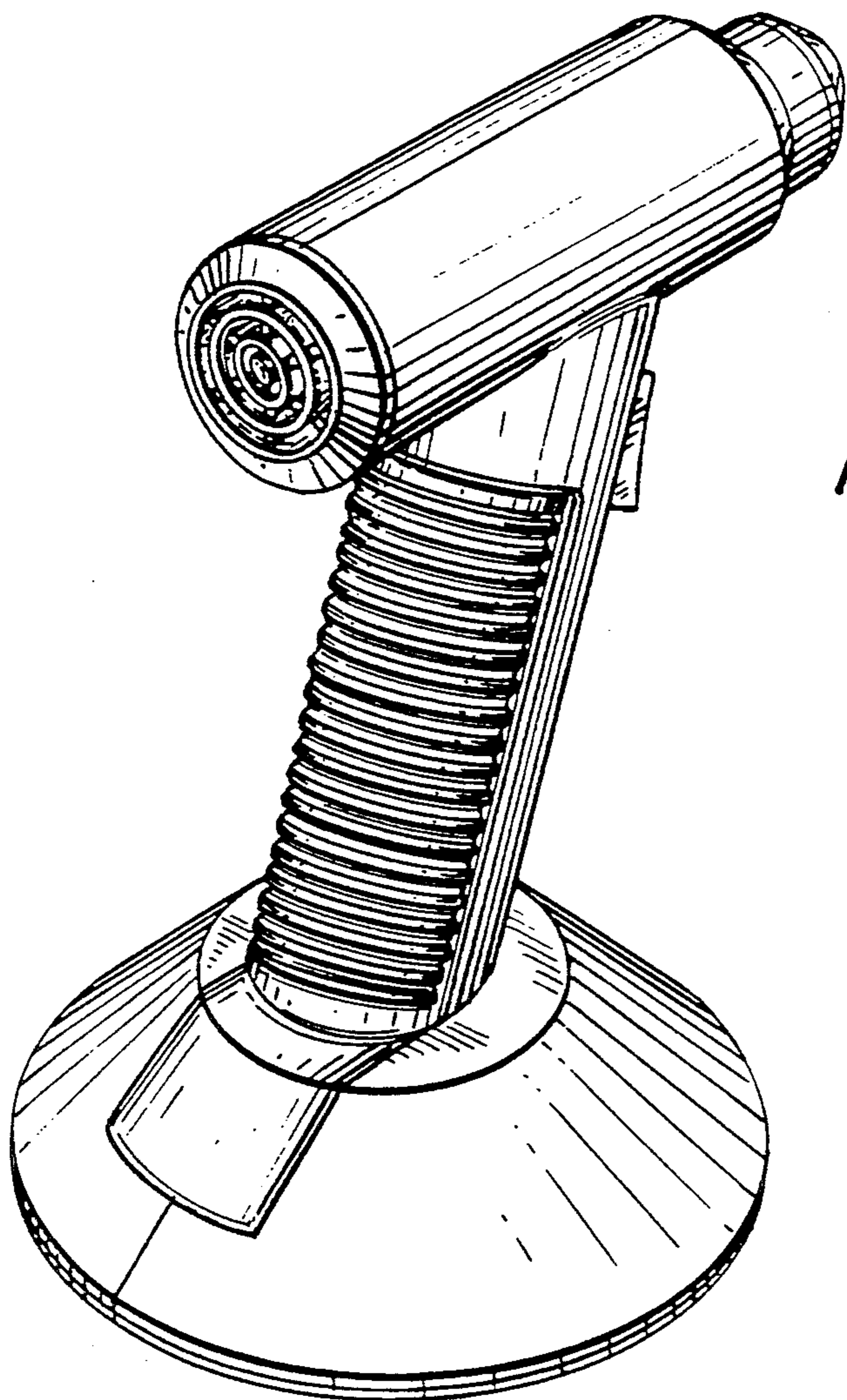


FIG. 8

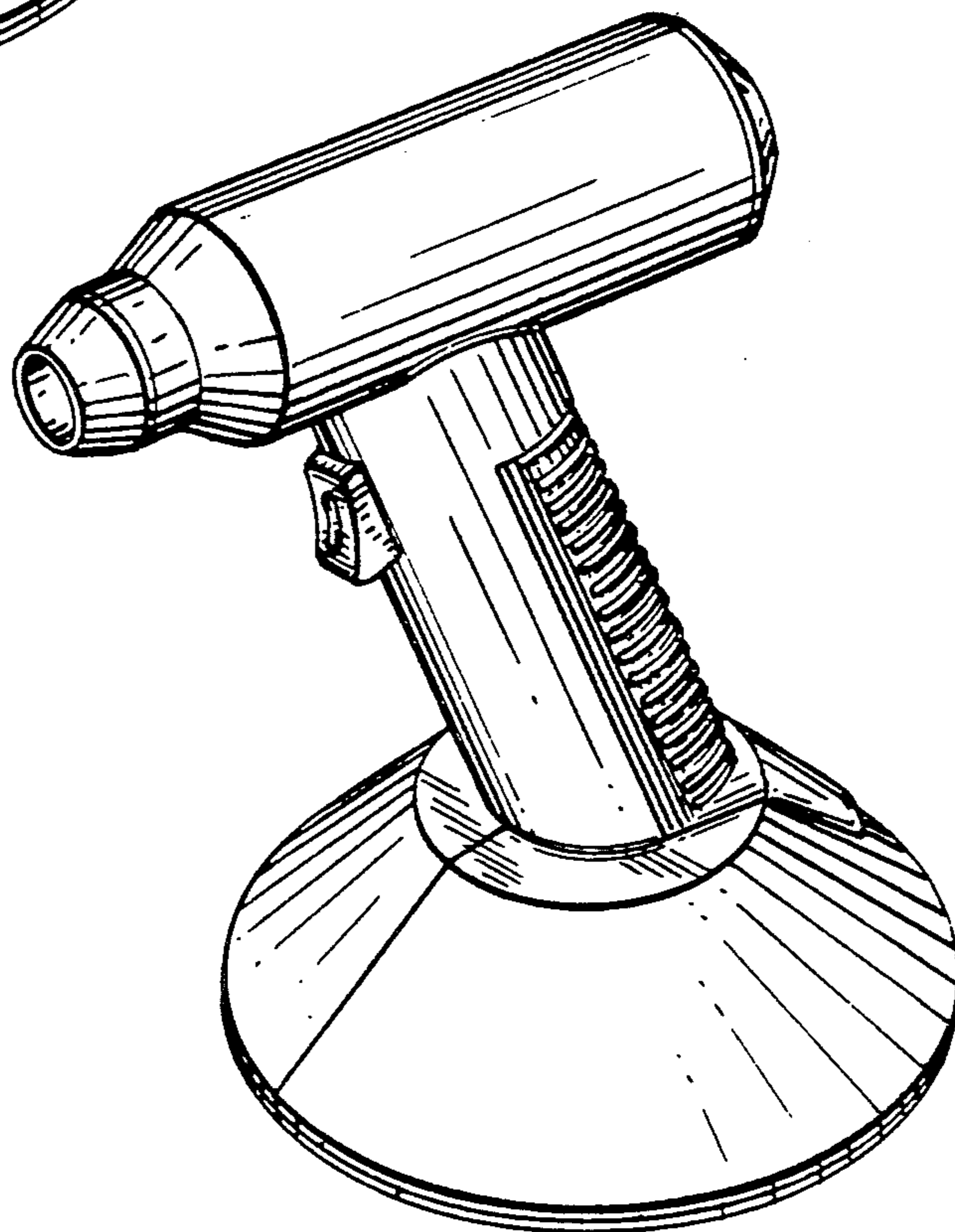


FIG. 7