



US00D328632S

United States Patent [19]

[11] Patent Number: Des. 328,632

Bigwood

[45] Date of Patent: ** Aug. 11, 1992

[54] RECOIL COMPENSATOR

4,930,397 6/1990 Seidler 89/14.3

[76] Inventor: William J. Bigwood, 3947 NW. 1st. Dr., Deerfield Beach, Fla. 33441

Primary Examiner—A. Hugo Word
Assistant Examiner—Doris V. Coles
Attorney, Agent, or Firm—John C. Stahl

[**] Term: 14 Years

[57] CLAIM

[21] Appl. No.: 559,886

The ornamental design for a recoil compensator, as shown and described.

[22] Filed: Jul. 30, 1990

[52] U.S. Cl. D22/108

DESCRIPTION

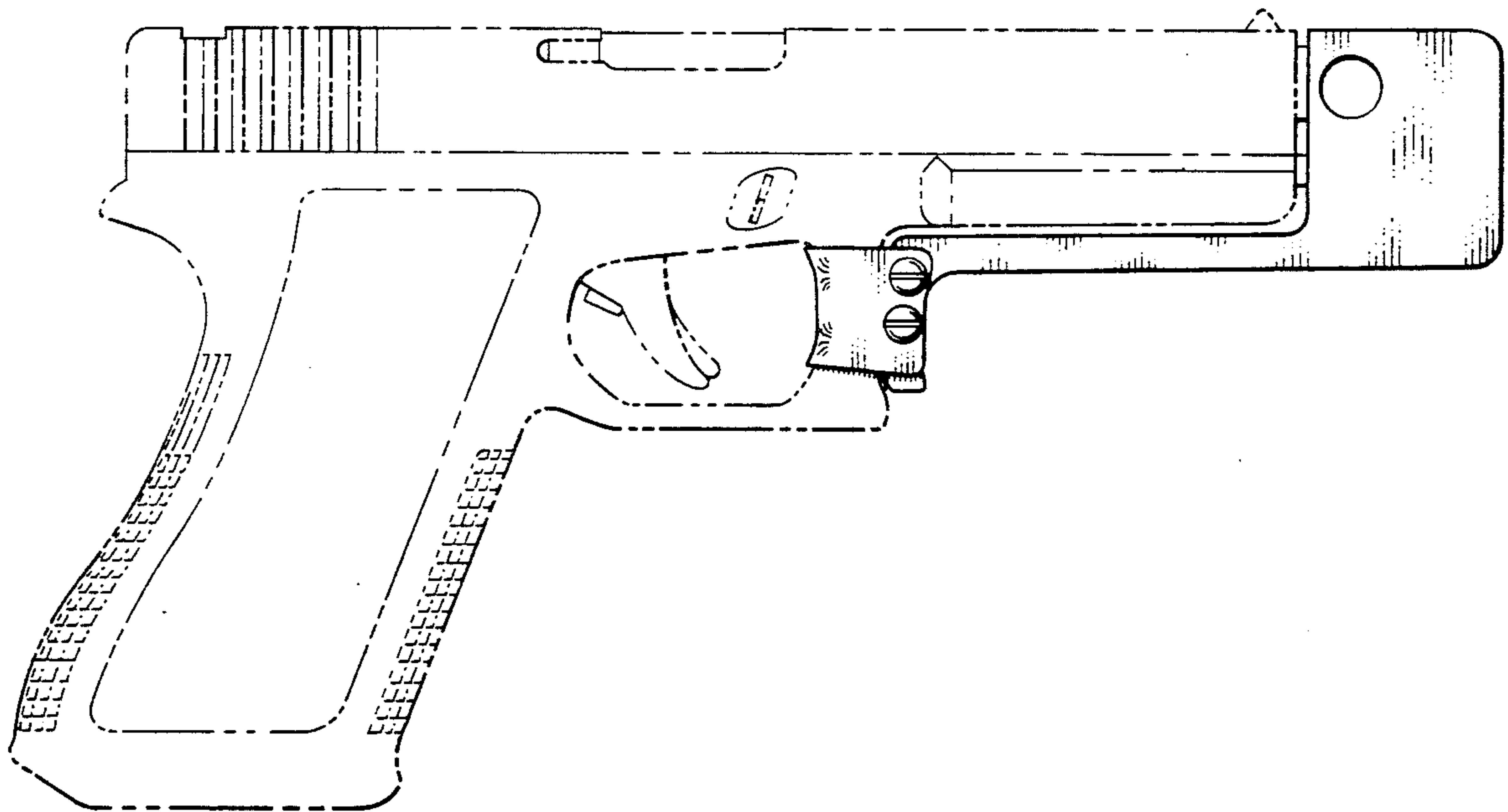
[58] Field of Search D22/108, 104; 42/97, 42/1.06; 89/14.3, 14.4, 14.5

FIG. 1 is a left side elevational view of a recoil compensator, showing my new design;
FIG. 2 is a top plan view thereof;
FIG. 3 is a bottom plan view thereof;
FIG. 4 is a front elevational view thereof;
FIG. 5 is a rear elevational view thereof; and,
FIG. 6 is a right side elevational view of a recoil compensator. The broken line showing of a semi-automatic weapon is for illustrative purposes only and form no part of the claimed design.

[56] References Cited

U.S. PATENT DOCUMENTS

| | | | | |
|------------|---------|---------------|-------|---------|
| D. 297,152 | 8/1988 | Clarke | | D22/108 |
| 2,667,815 | 2/1954 | Strong | | 89/14.3 |
| 4,429,614 | 2/1984 | Tocco | | 89/14.3 |
| 4,691,614 | 9/1987 | Leffel et al. | | 89/14.3 |
| 4,715,140 | 12/1987 | Rosenwald | | 42/97 |



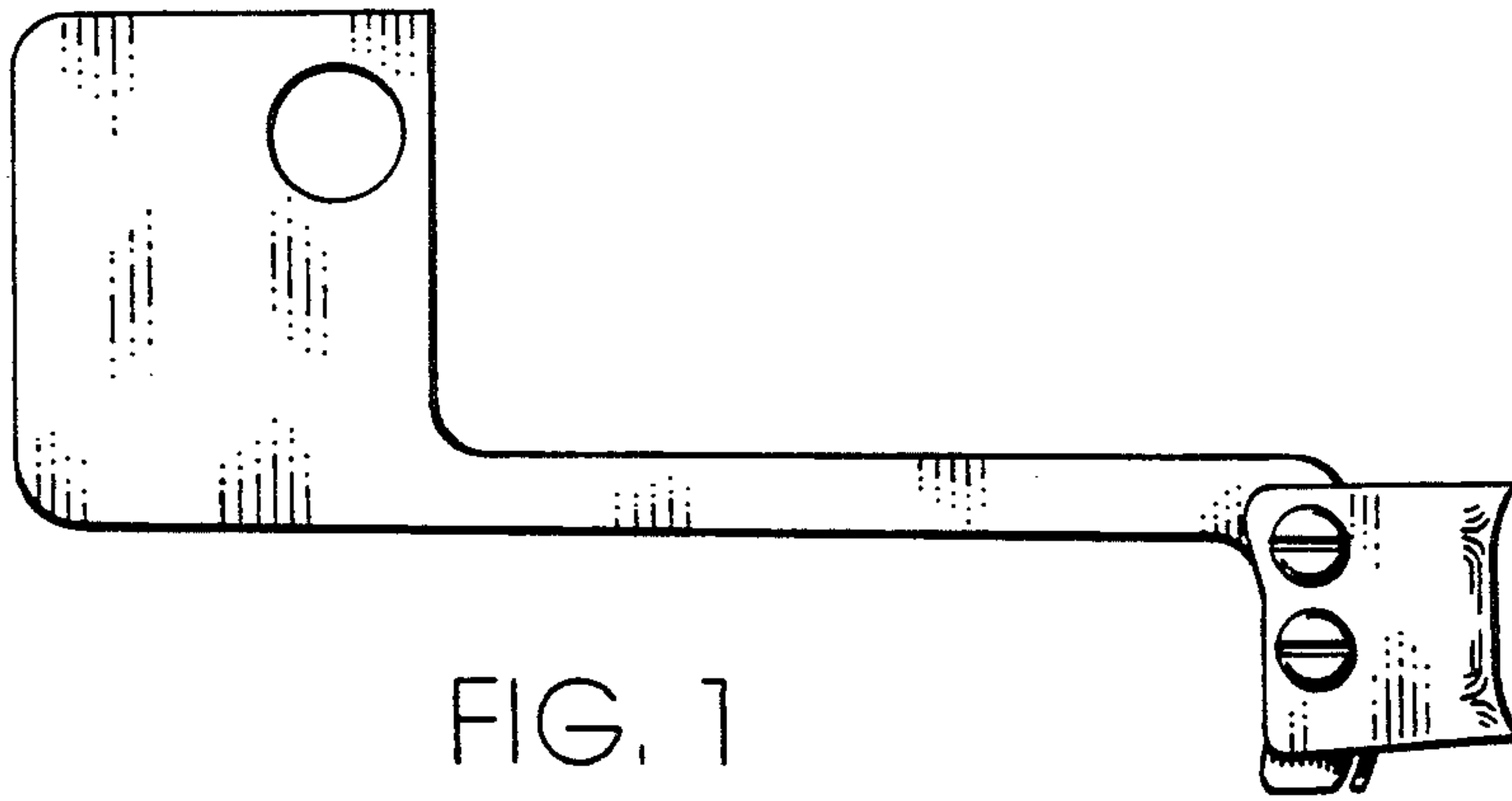


FIG. 1

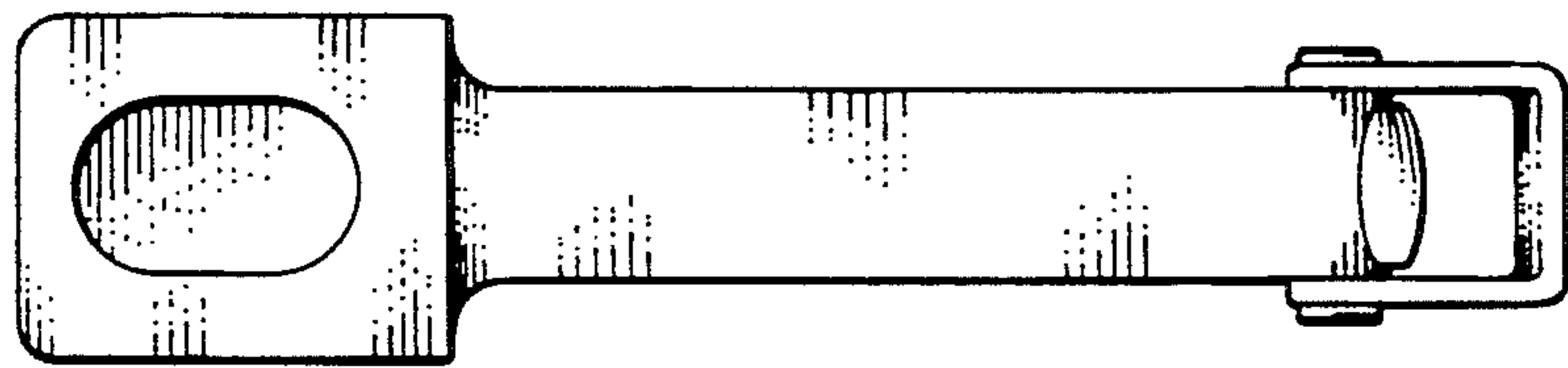


FIG. 2

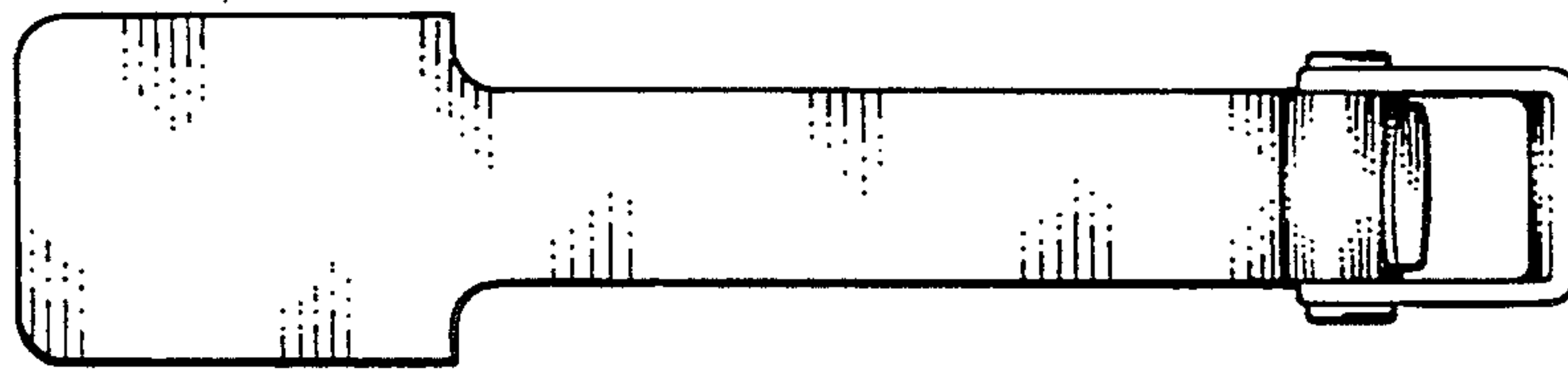


FIG. 3

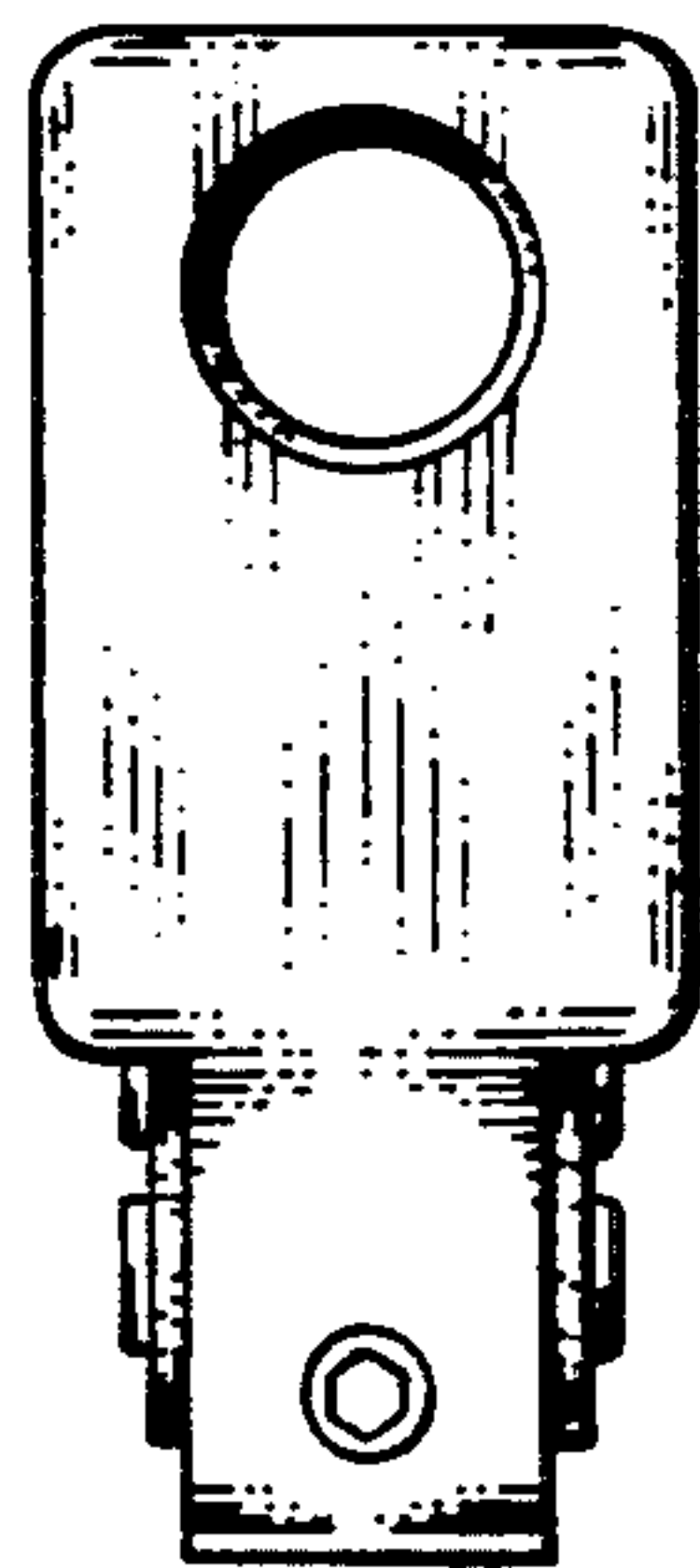


FIG. 4

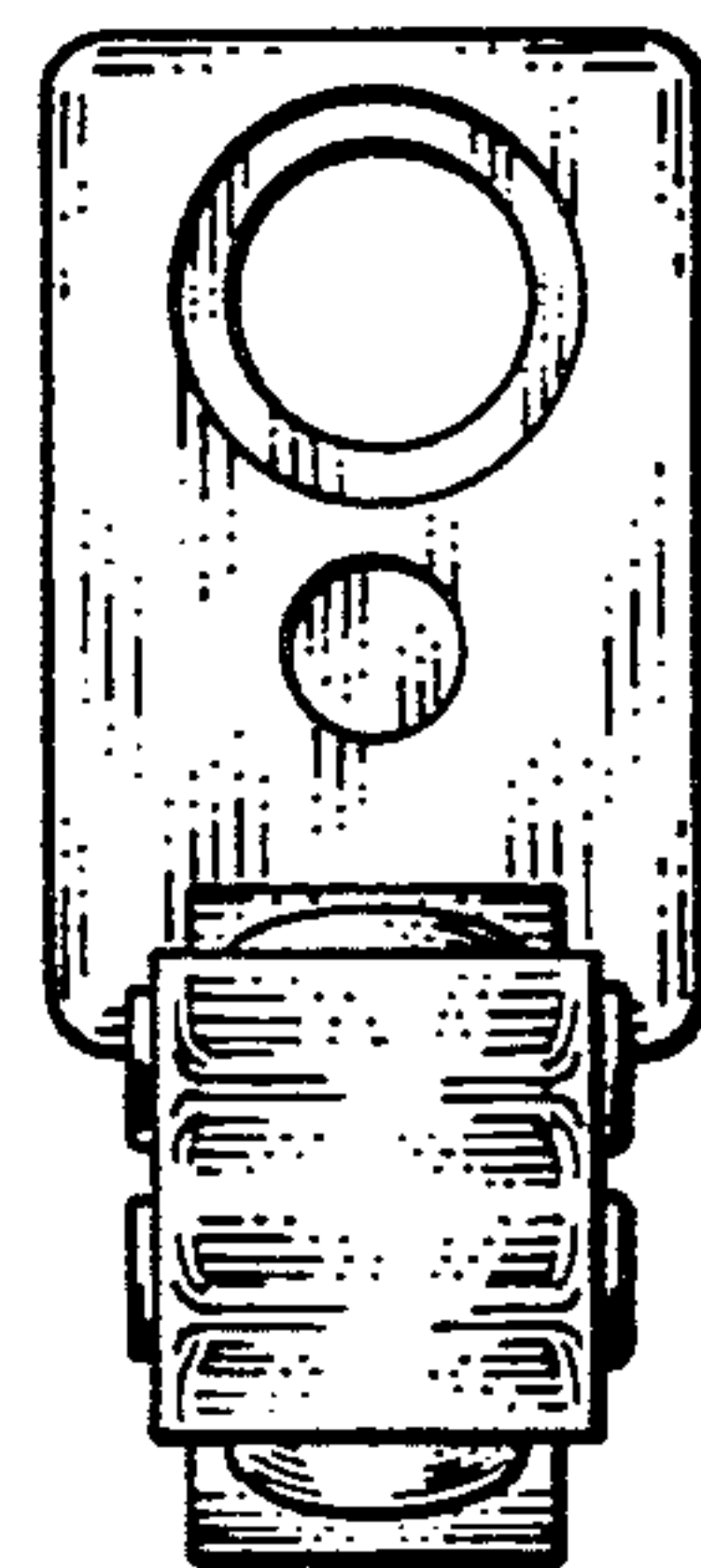


FIG. 5

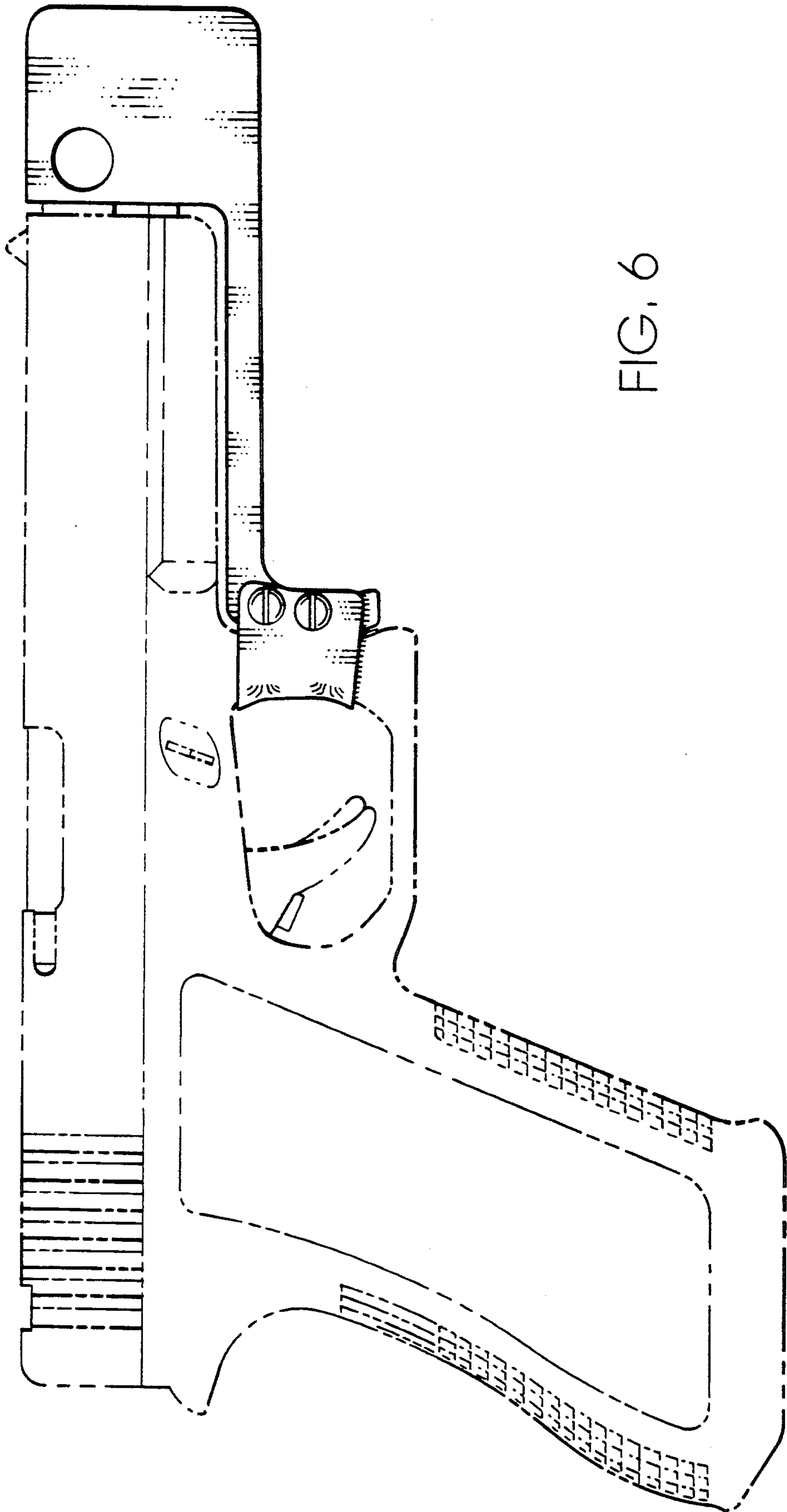


FIG. 6