



US00D328627S

United States Patent [19]

[11] Patent Number: **Des. 328,627**

Antonious

[45] Date of Patent: **** Aug. 11, 1992**

[54] **IRON GOLF CLUB HEAD**

Golf, May 1987, p. 105, top, set of irons.

[76] Inventor: **Anthony J. Antonious**, 205 E. Joppa Rd., Towson, Md. 21204

Primary Examiner—Melvin B. Feifer

[**] Term: **14 Years**

[57] **CLAIM**

[21] Appl. No.: **433,175**

The ornamental design for an iron golf club head, as shown and described.

[22] Filed: **Nov. 8, 1989**

DESCRIPTION

[52] U.S. Cl. **D21/220**

[58] Field of Search **D21/220; 273/167-175, 273/164 R**

FIG. 1 is a front elevational view showing my new design for an iron golf club head;
FIG. 2 is a rear elevational view thereof;
FIG. 3 is a bottom view thereof;
FIG. 4 is a top plan view thereof;
FIG. 5 is an end elevational view thereof; and,
FIG. 6 is an elevational view taken from the opposite side of FIG. 5.

[56] **References Cited**
PUBLICATIONS

Gold Digest, Apr., 1987, p. 128, top, Golf Iron.
Golf World, Jun. 23, 1989, p. 63, Golf Iron.

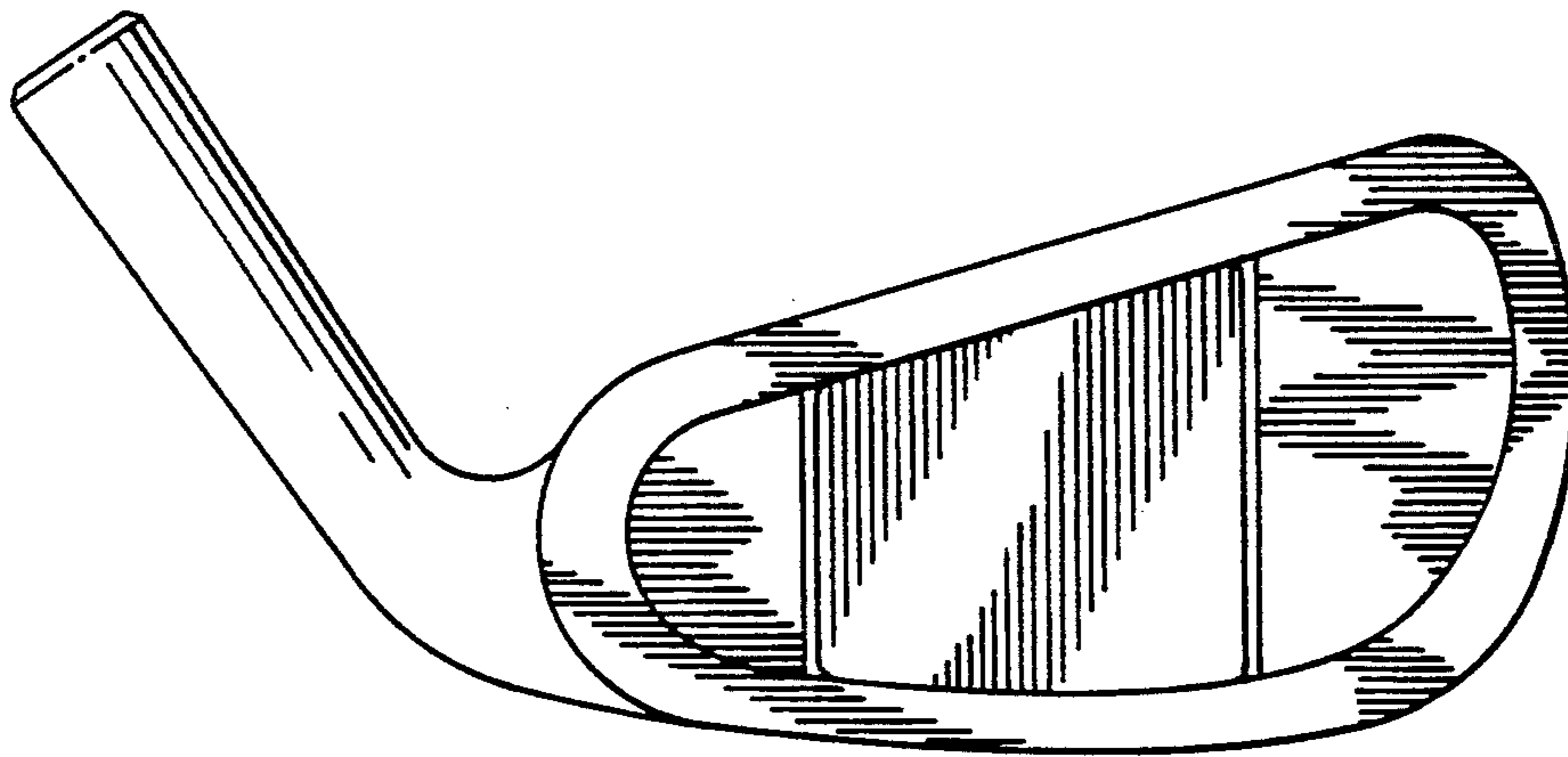


FIG. 1

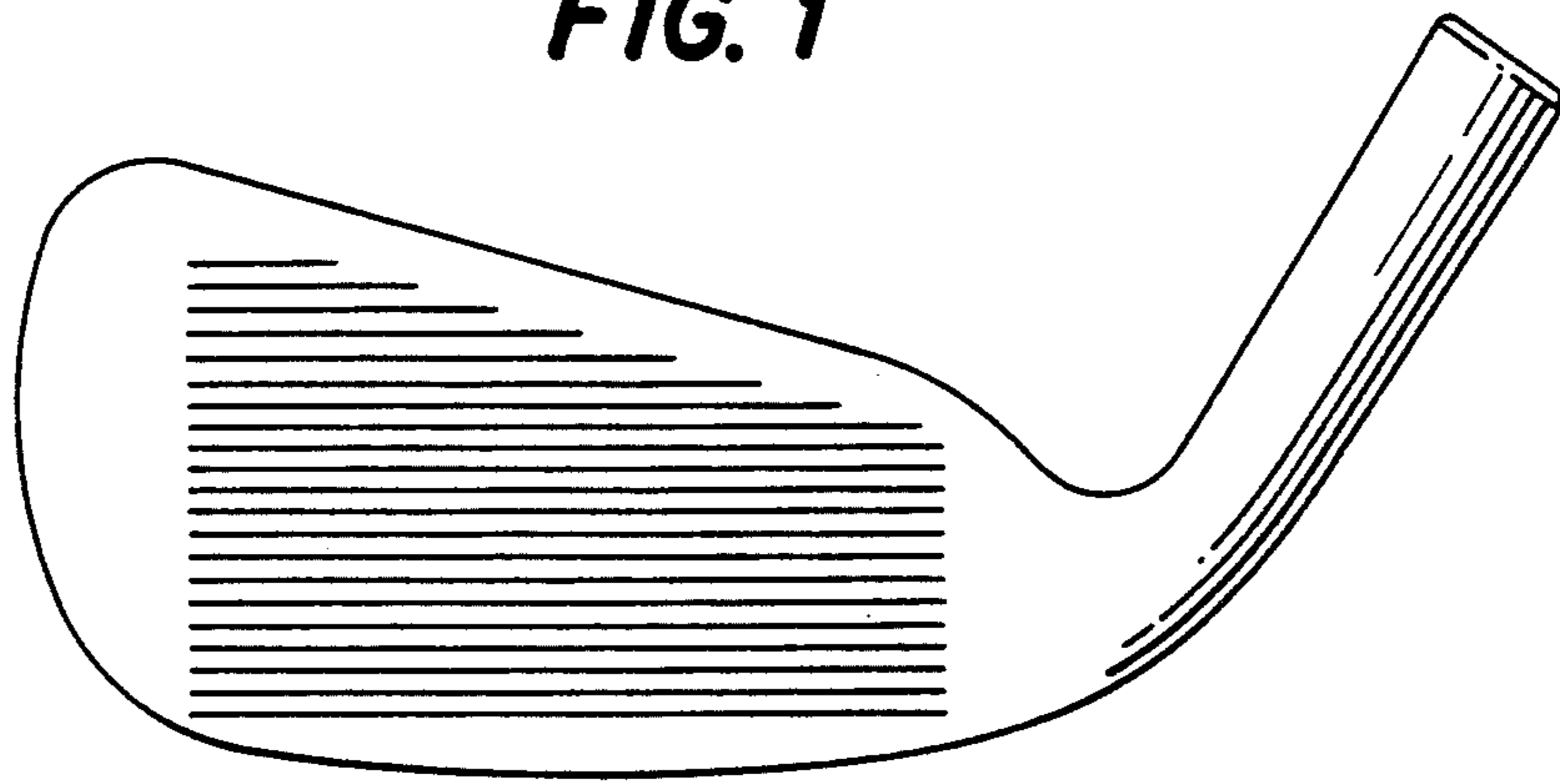


FIG. 2

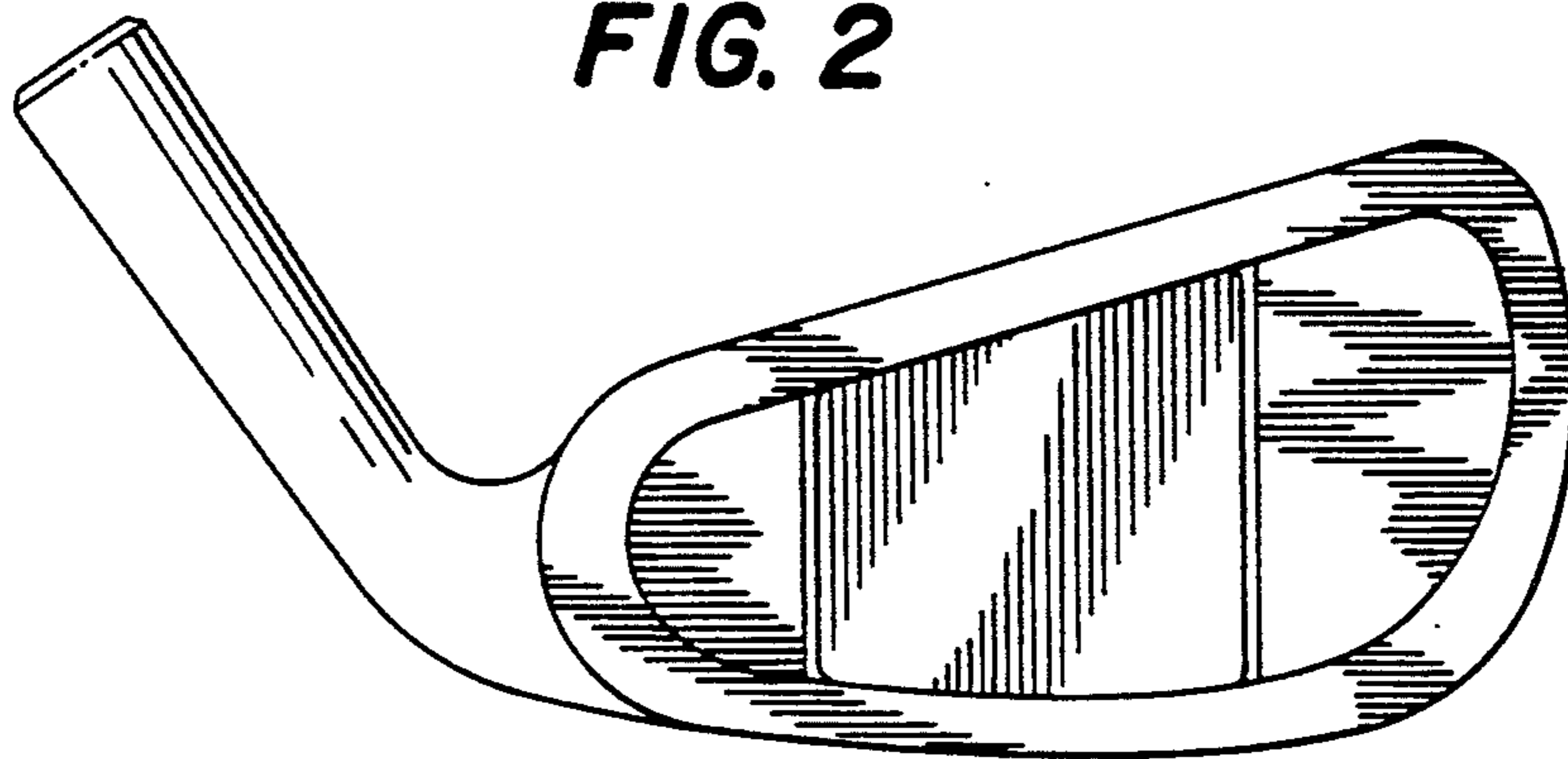


FIG. 3

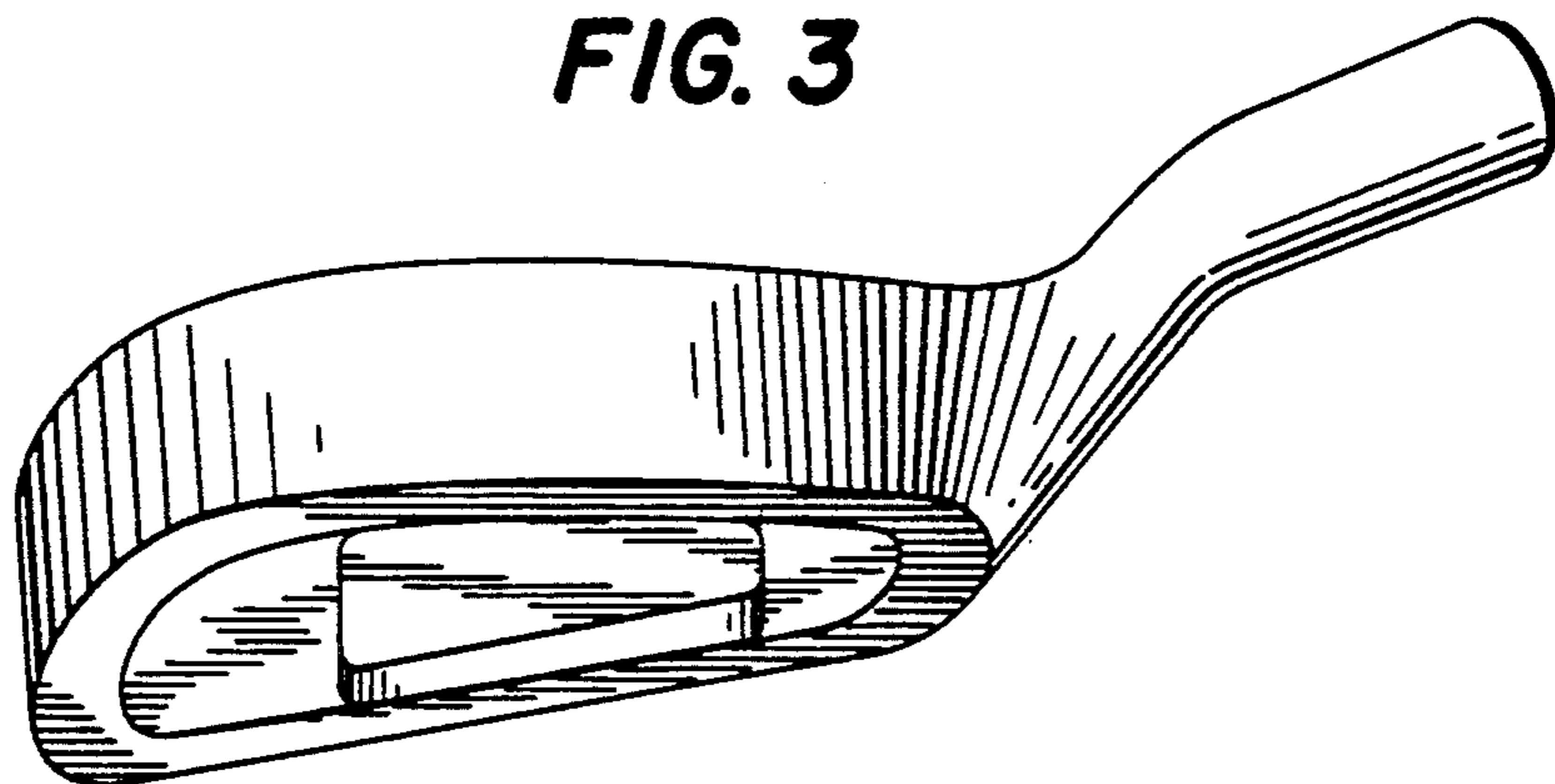


FIG. 4

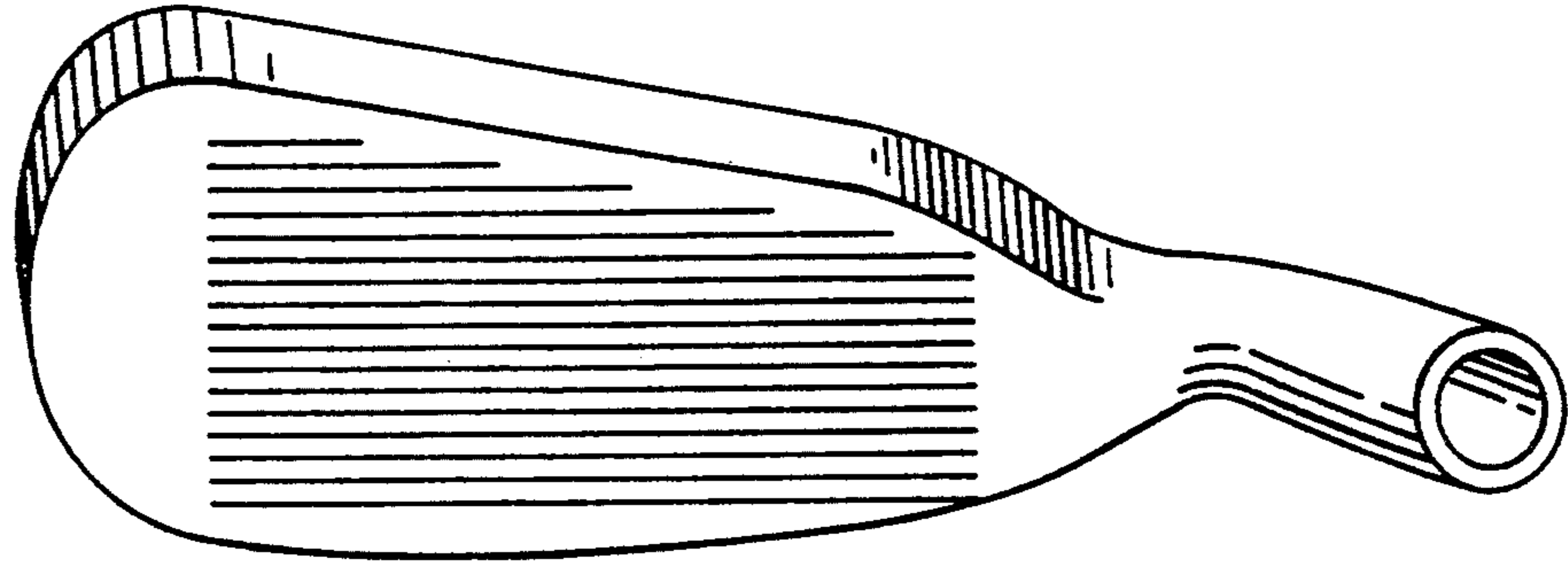


FIG. 5

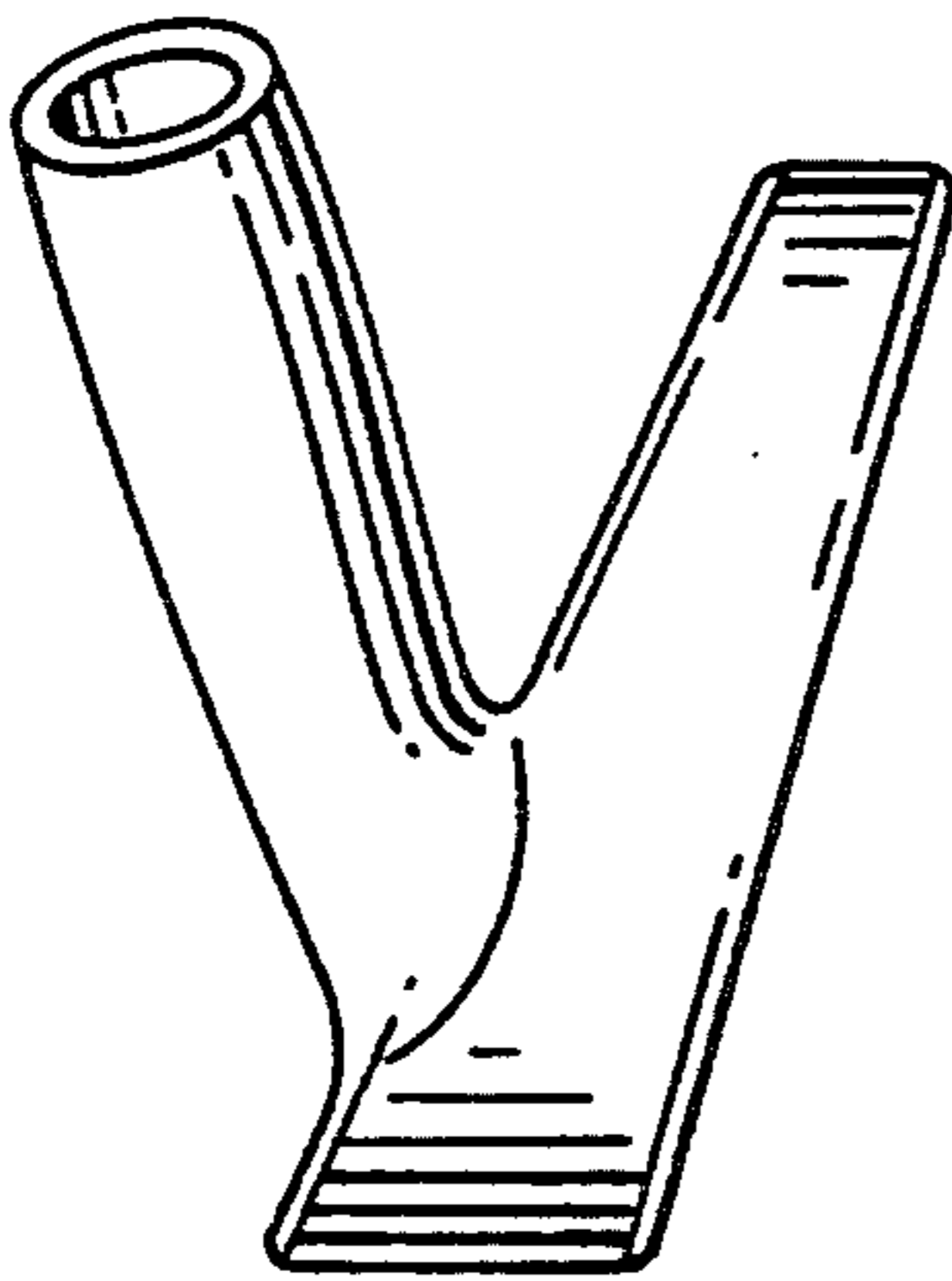


FIG. 6

