



US00D328625S

# United States Patent [19]

Arthur et al.

[11] Patent Number: **Des. 328,625**

[45] Date of Patent: **\*\* Aug. 11, 1992**

[54] **CLIMBING EXERCISER**

[75] Inventors: **Brian A. Arthur, Snohomish; David J. Littrell, Bellevue; Lawrence J. Graf, Snohmish; James S. Birrell, Seattle, all of Wash.**

[73] Assignee: **Precor Incorporated, Bothell, Wash.**

[\*\*] Term: **14 Years**

[21] Appl. No.: **559,894**

[22] Filed: **Jul. 30, 1990**

[52] U.S. Cl. .... **D21/195**

[58] Field of Search ..... **D21/191-199; 482/51, 66, 70, 52, DIG. 901**

4,600,187 7/1986 Schenker ..... 272/70  
 4,685,666 8/1987 DeCloux ..... 272/70  
 4,708,338 11/1987 Potts ..... 482/52  
 4,838,543 6/1989 Armstrong et al. .... 272/70  
 4,989,857 2/1991 Kio ..... 482/52  
 5,033,733 7/1991 Findlay ..... 482/52

*Primary Examiner*—Charles A. Rademaker  
*Attorney, Agent, or Firm*—Christensen, O'Connor, Johnson & Kindness

### [57] CLAIM

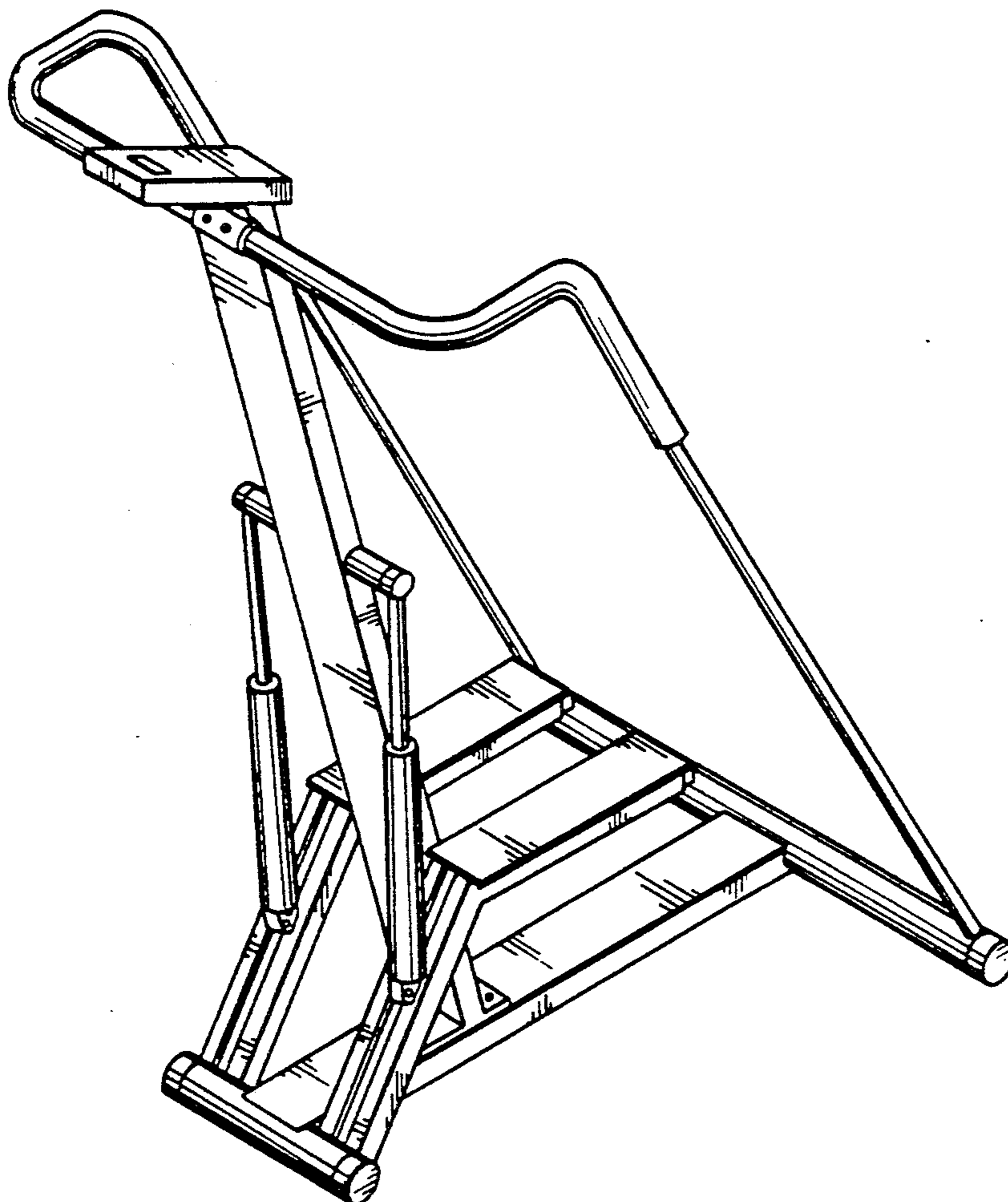
The ornamental design for climbing exerciser, as shown and described.

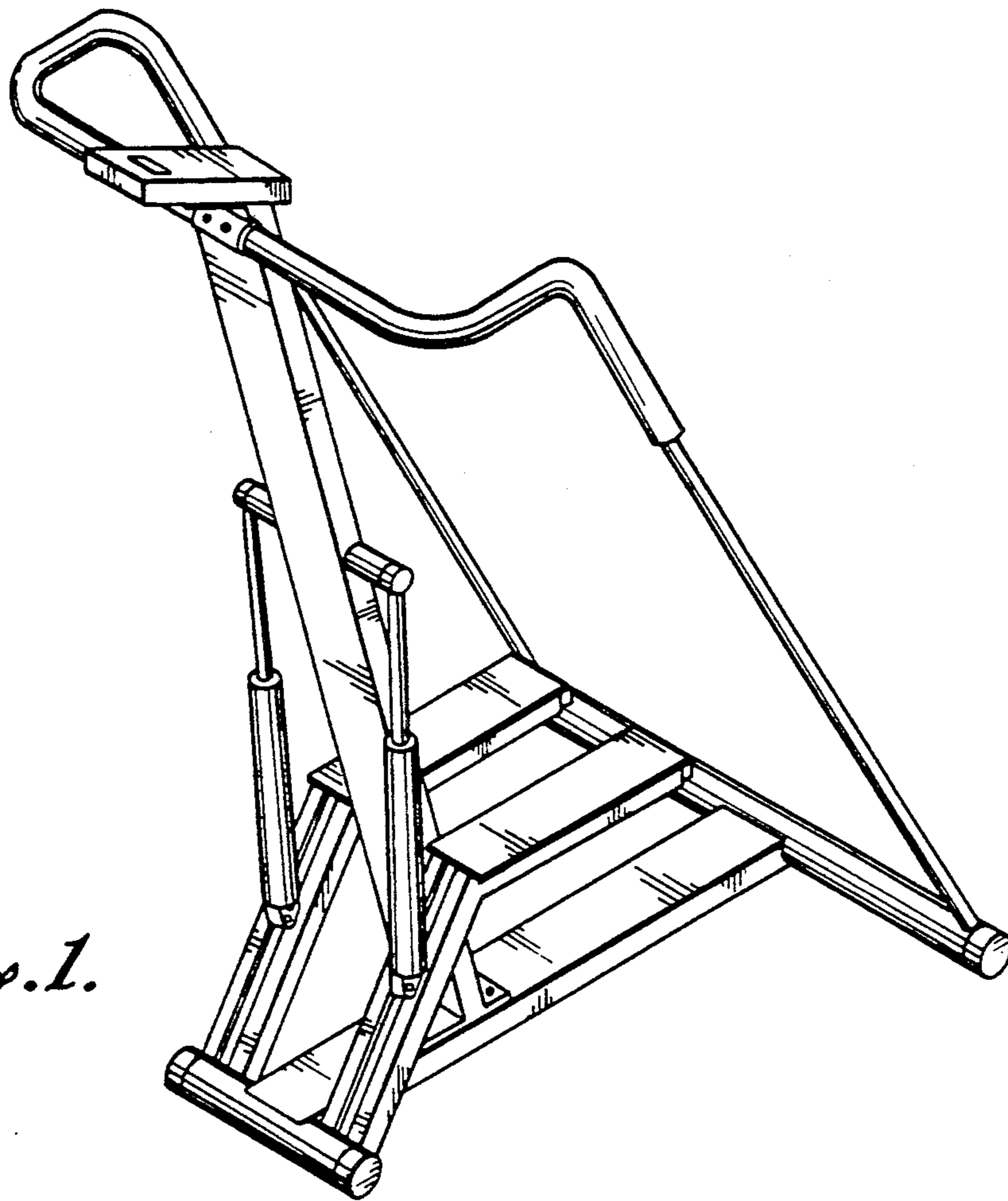
### DESCRIPTION

FIG. 1 is a front perspective view of a climbing exerciser showing our new design;  
 FIG. 2 is a side elevational view thereof, the side opposite being substantially a mirror image;  
 FIG. 3 is a front elevational view thereof;  
 FIG. 4 is a rear elevational view thereof;  
 FIG. 5 is a top plan view thereof; and,  
 FIG. 6 is a bottom plan view thereof.

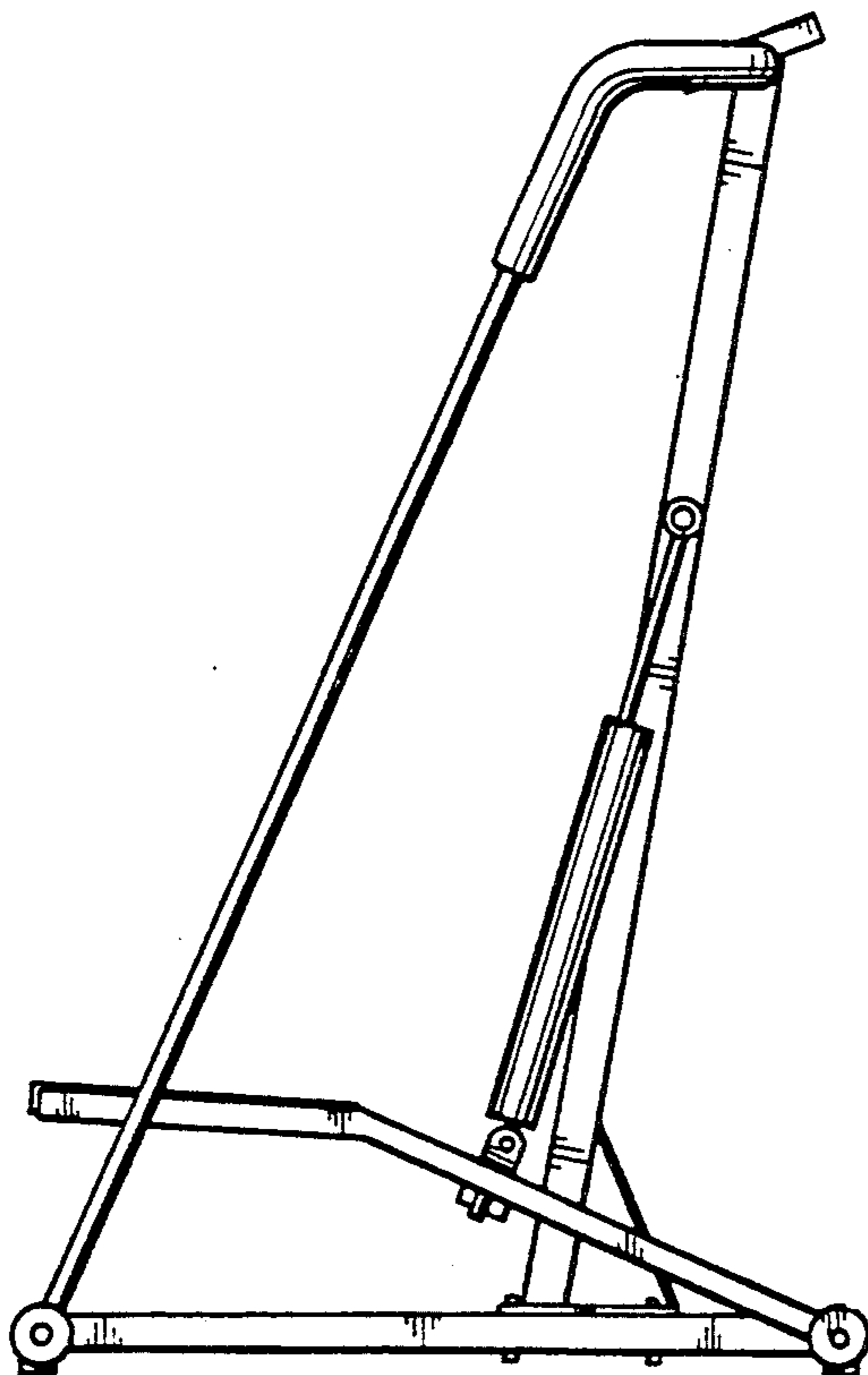
[56] **References Cited**  
**U.S. PATENT DOCUMENTS**

D. 304,358 10/1989 Armstrong et al. .... D21/195  
 D. 321,229 10/1991 Dalton et al. .... D21/195  
 D. 321,388 11/1991 Dalebout ..... D21/195  
 D. 324,089 2/1992 Miller ..... D21/191  
 3,628,791 12/1971 Garcia ..... 272/83

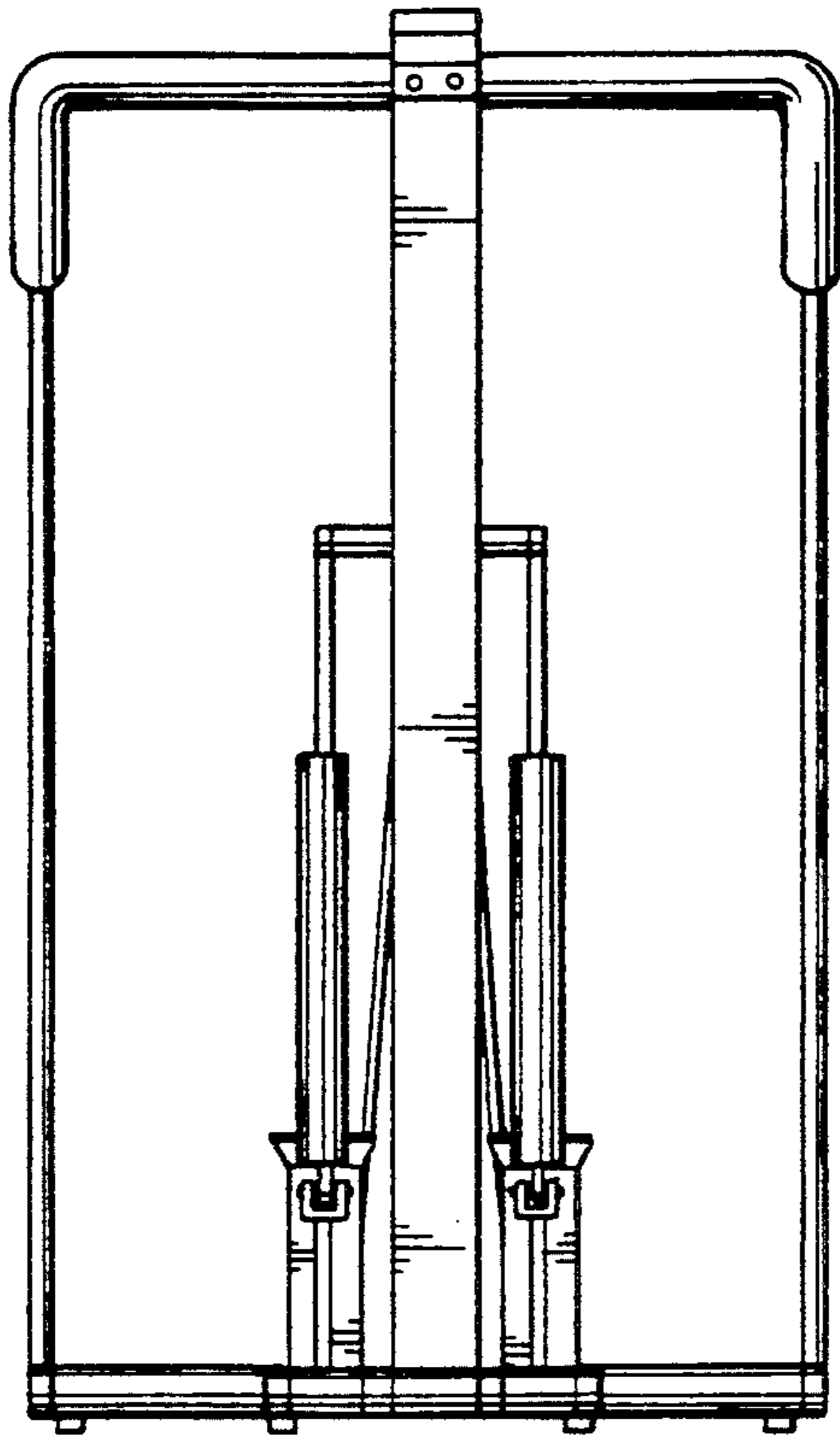




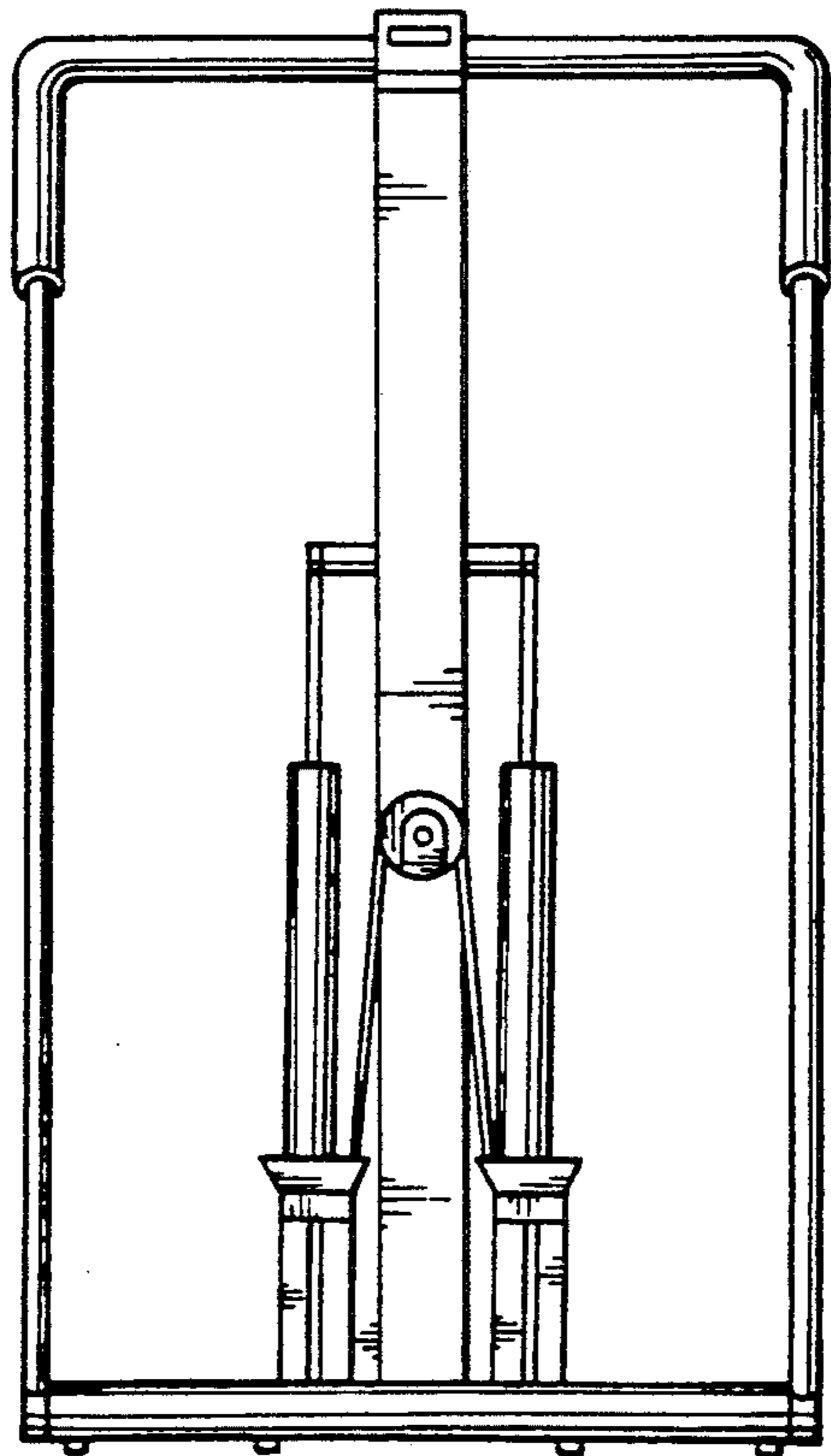
*Fig. 1.*



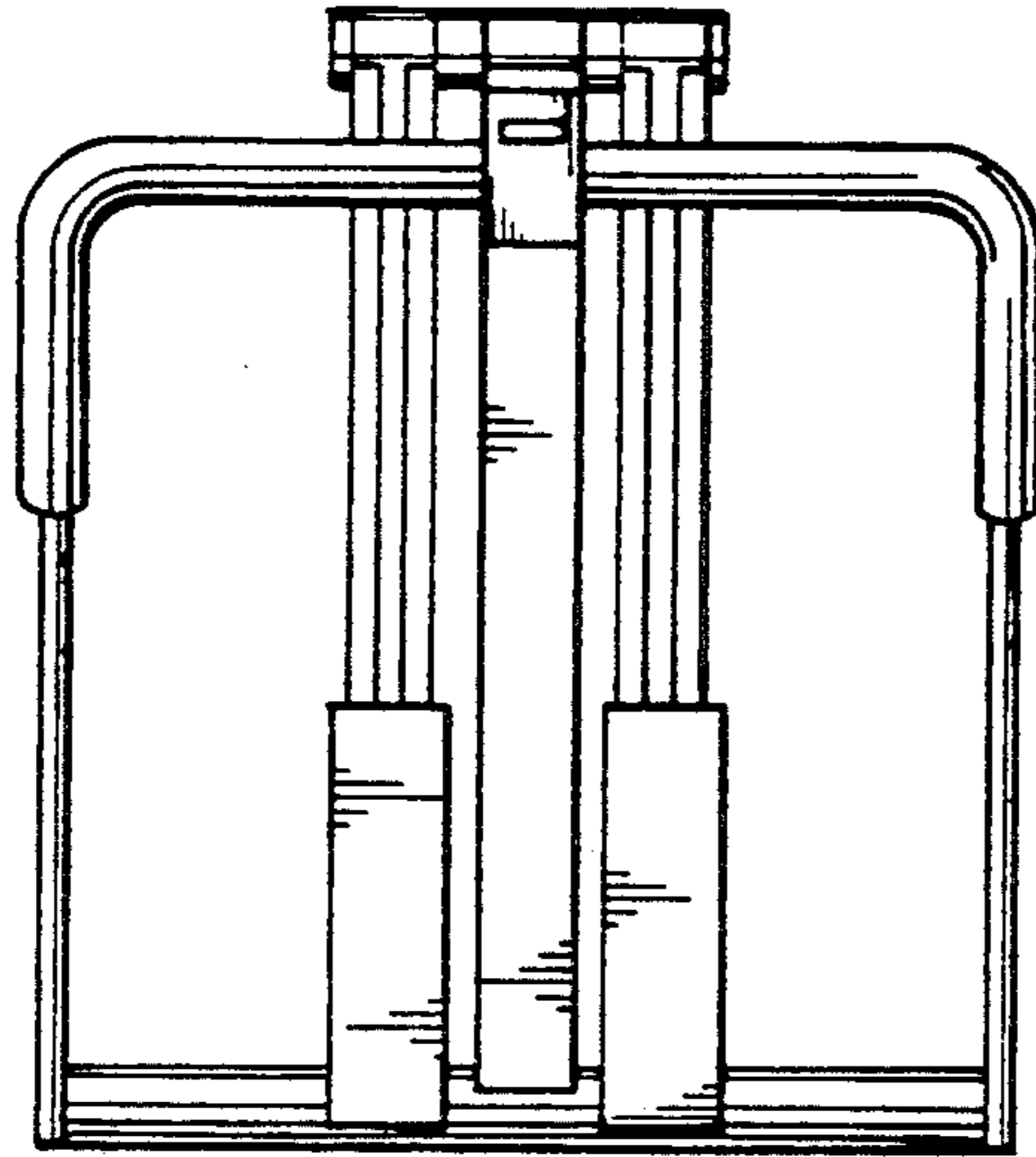
*Fig. 2.*



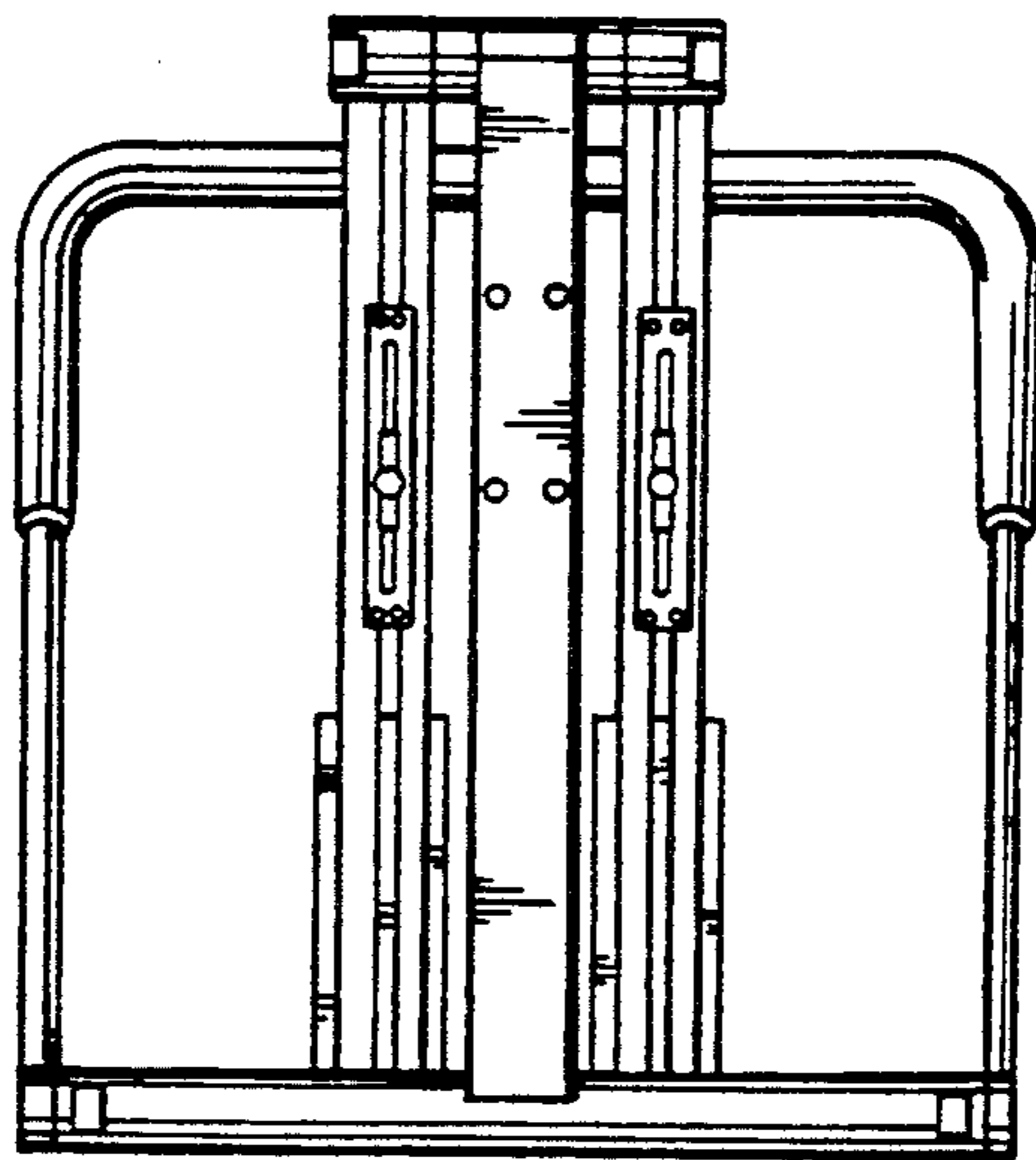
*Fig. 3.*



*Fig. 4.*



*Fig. 5.*



*Fig. 6.*