



US00D328623S

United States Patent [19]

[11] Patent Number: **Des. 328,623**

Zinter-Chahin Christine M.

[45] Date of Patent: **** Aug. 11, 1992**

[54] TOY STOVE

D. 288,702	3/1987	Bedell et al.	D21/122
D. 294,277	2/1988	Kamenstsky	D21/122
D. 294,608	3/1988	Benedetto	D21/122

[75] Inventor: **Zinter-Chahin Christine M.**, Orchard Park, N.Y.

Primary Examiner—Charles A. Rademaker
Attorney, Agent, or Firm—Cumpston & Shaw

[73] Assignee: **Fisher-Price, Inc.**, East Aurora, N.Y.

[**] Term: **14 Years**

[57] **CLAIM**

[21] Appl. No.: **511,319**

The ornamental design for a toy stove, as shown and described.

[22] Filed: **Apr. 20, 1990**

[52] U.S. Cl. **D21/122**

[58] Field of Search **D21/59, 109, 122, 121;**
D23/61; 446/479, 481, 491

DESCRIPTION

FIG. 1 is a front elevational view of a toy stove showing my new design;

FIG. 2 is a right side elevational view thereof;

FIG. 3 is a left side elevational view thereof;

FIG. 4 is a top plan view thereof;

FIG. 5 is a bottom plan view thereof; and,

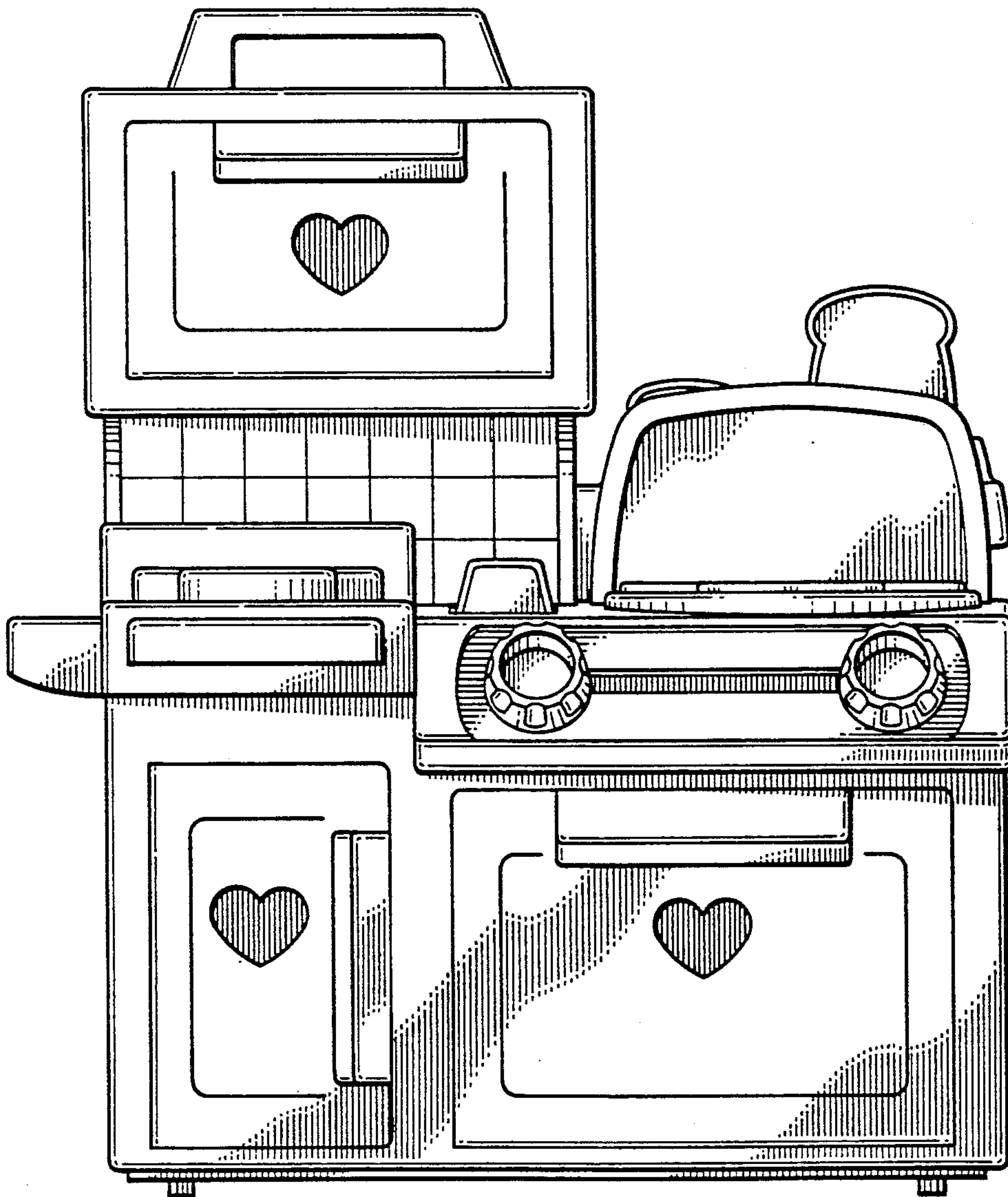
FIG. 6 is a rear elevational view.

[56]

References Cited

U.S. PATENT DOCUMENTS

D. 260,274	8/1981	Appel et al.	D21/122
D. 261,404	10/1981	Appel et al.	D21/122



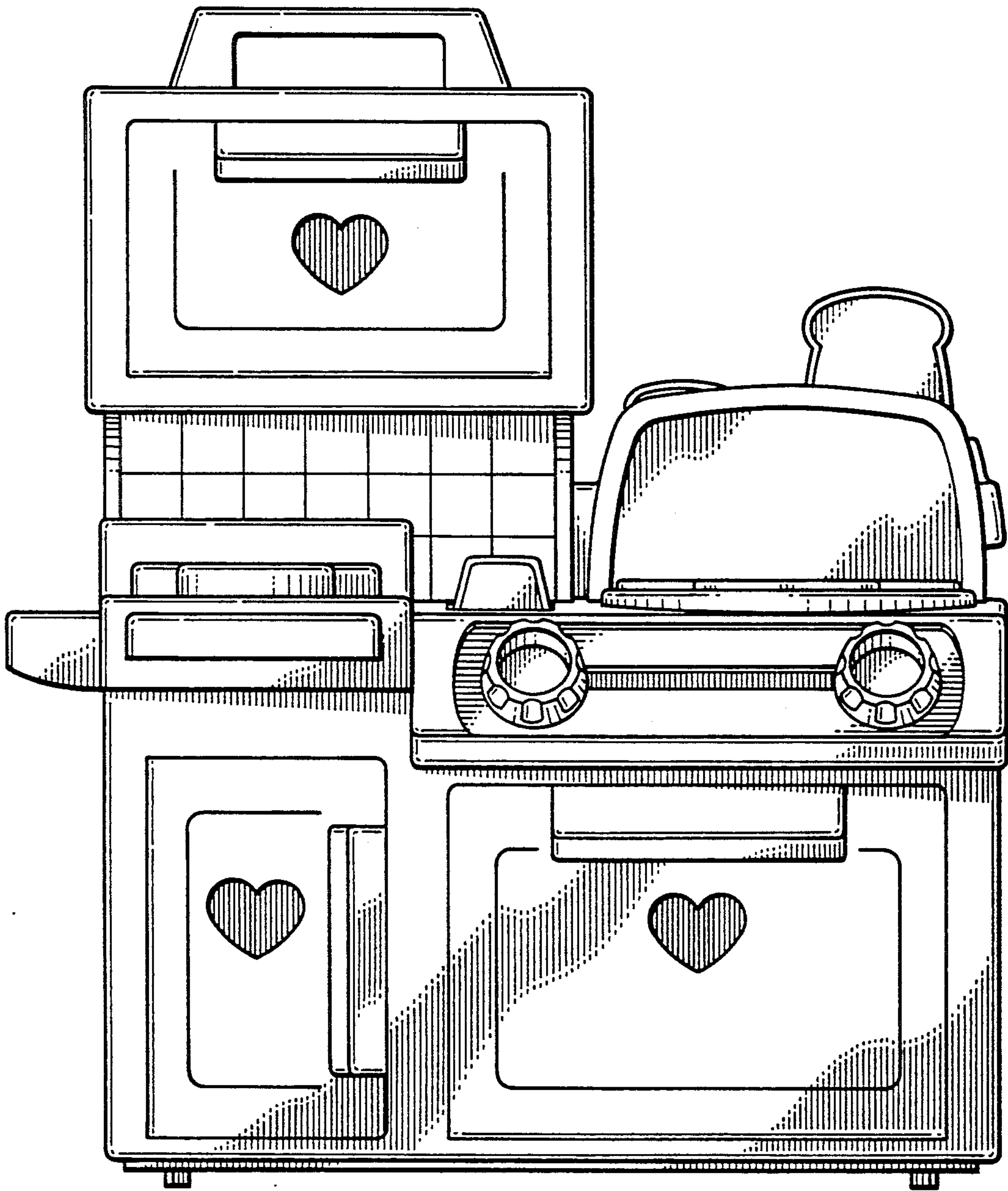


FIG. 1

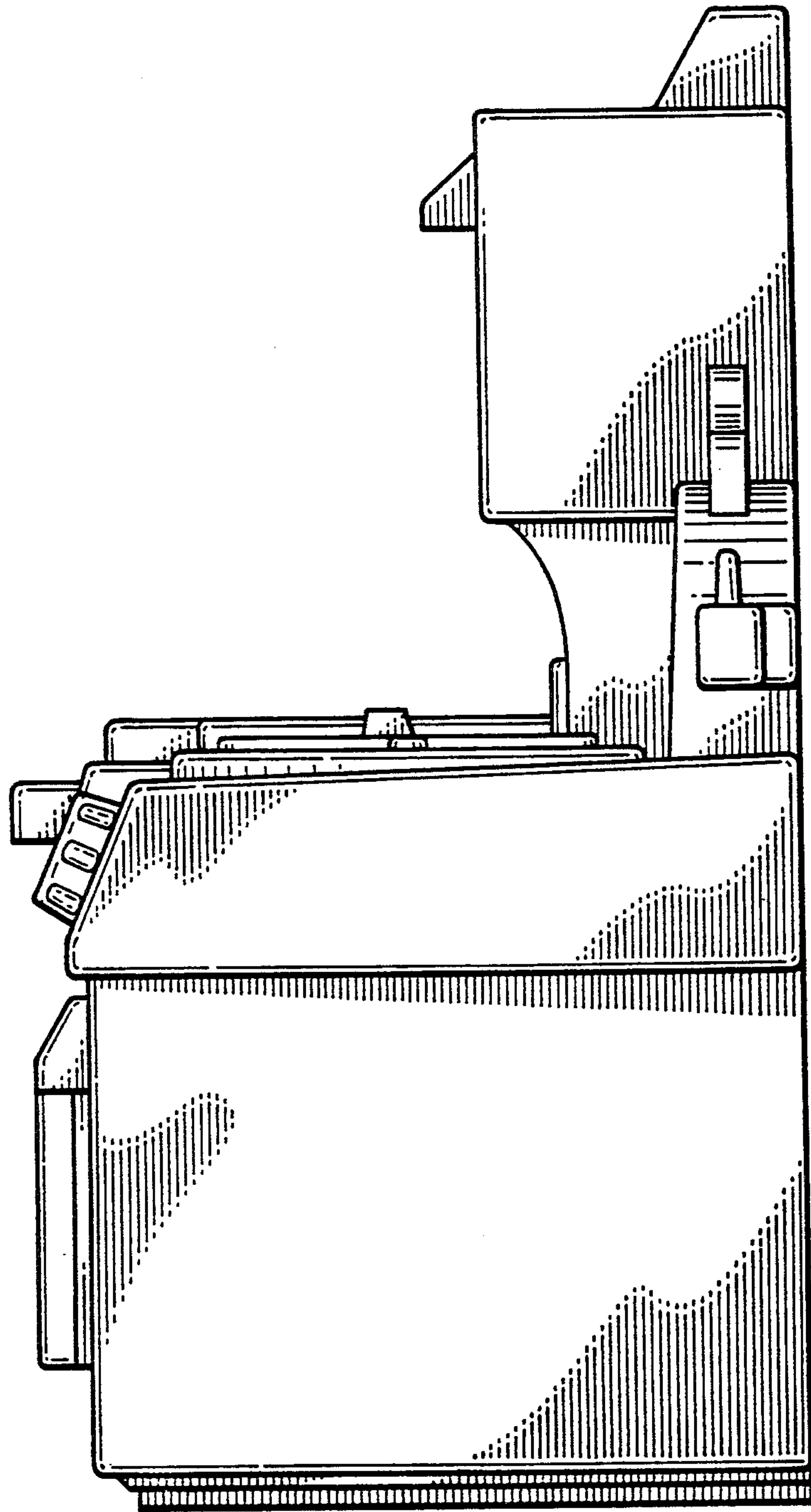


FIG. 2

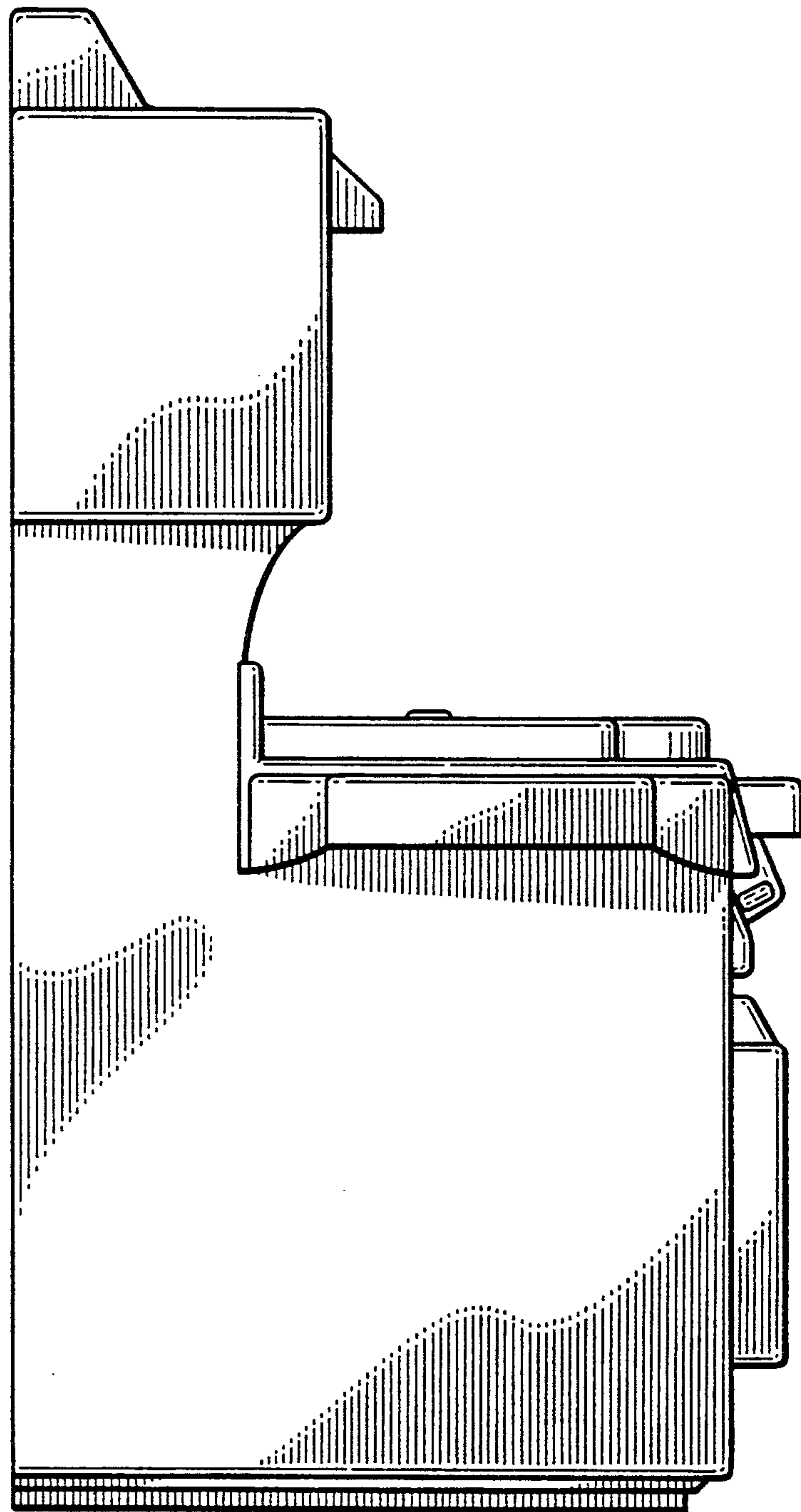


FIG. 3

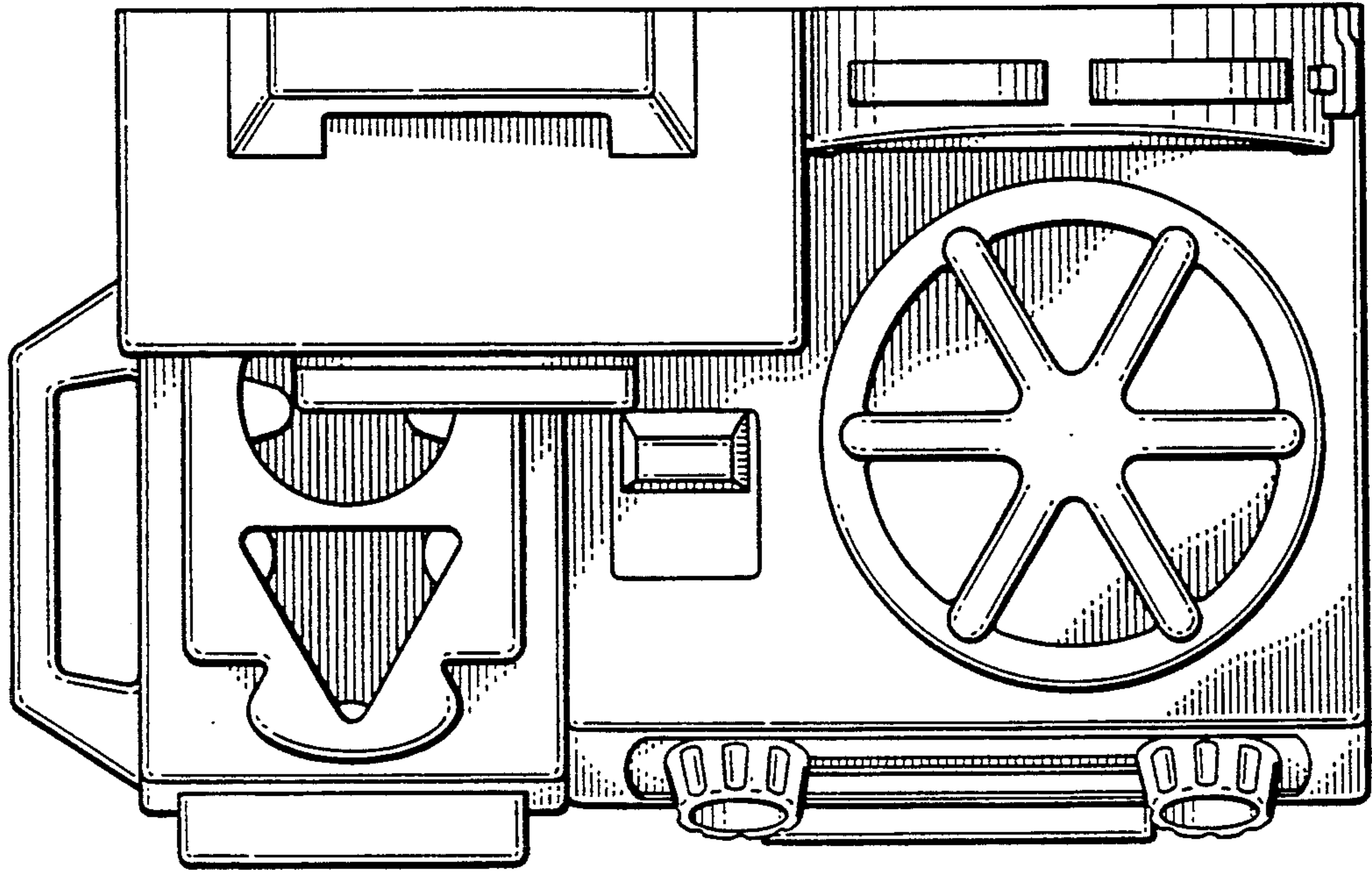


FIG. 4

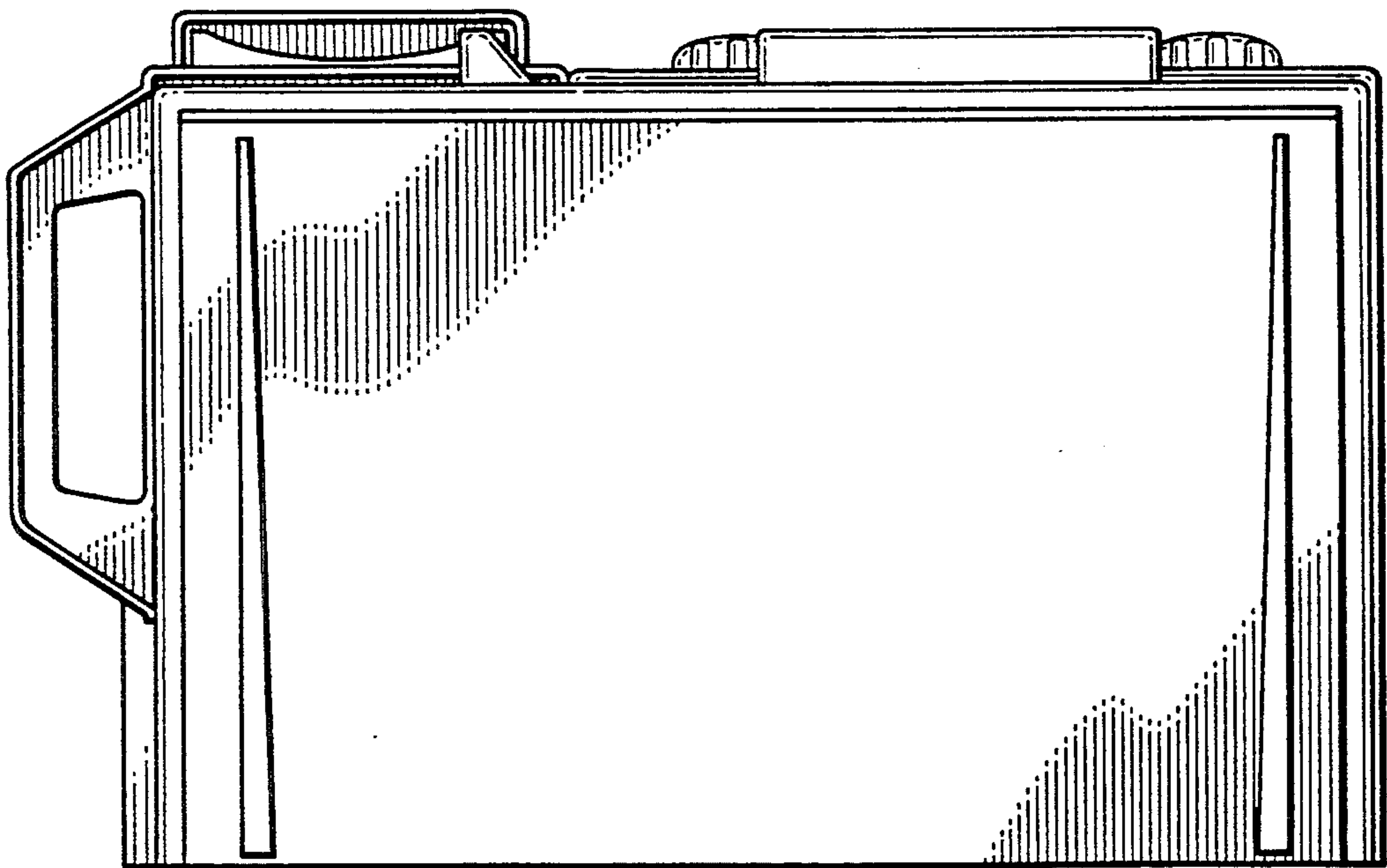


FIG. 5

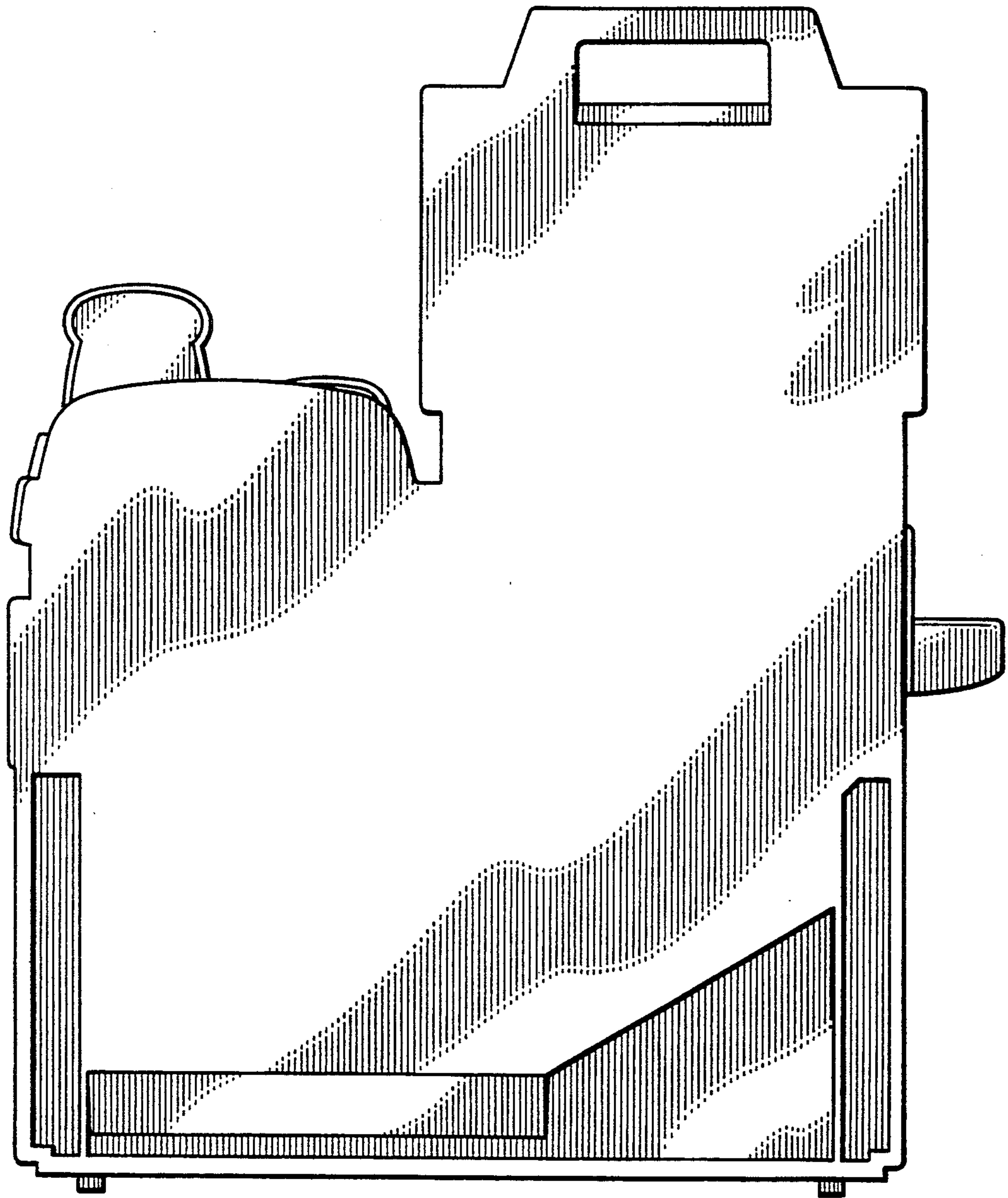


FIG. 6