



US00D328622S

# United States Patent [19]

[11] Patent Number: **Des. 328,622**

Taylor et al.

[45] Date of Patent: **\*\* Aug. 11, 1992**

[54] **COMBINED TOY MEASURING TOOL**

[56] **References Cited**

### U.S. PATENT DOCUMENTS

[75] Inventors: **Christopher J. C. Taylor, Cavaye Place; Christopher C. Wiggs, Goldsborough Crescent, both of Great Britain**

D. 279,869	7/1985	Tanaka	.....	D10/53
D. 282,645	2/1986	Larson	.....	D10/46
D. 290,817	7/1987	Yuen	.....	D10/46
D. 302,187	7/1989	Kato	.....	D21/59
D. 319,405	8/1991	Brawne	.....	D10/72
2,213,853	9/1940	Whitehead	.....	D10/124
2,695,949	11/1954	Ashwill	.....	D10/69
3,740,858	6/1973	Ostrager	.....	D10/69

[73] Assignee: **Kiddicraft Limited, Bristol, England**

*Primary Examiner*—Charles A. Rademaker

[\*\*] Term: **14 Years**

### [57] CLAIM

[21] Appl. No.: **520,606**

The ornamental design for a combined toy measuring tool, as shown and described.

[22] Filed: **May 8, 1990**

### DESCRIPTION

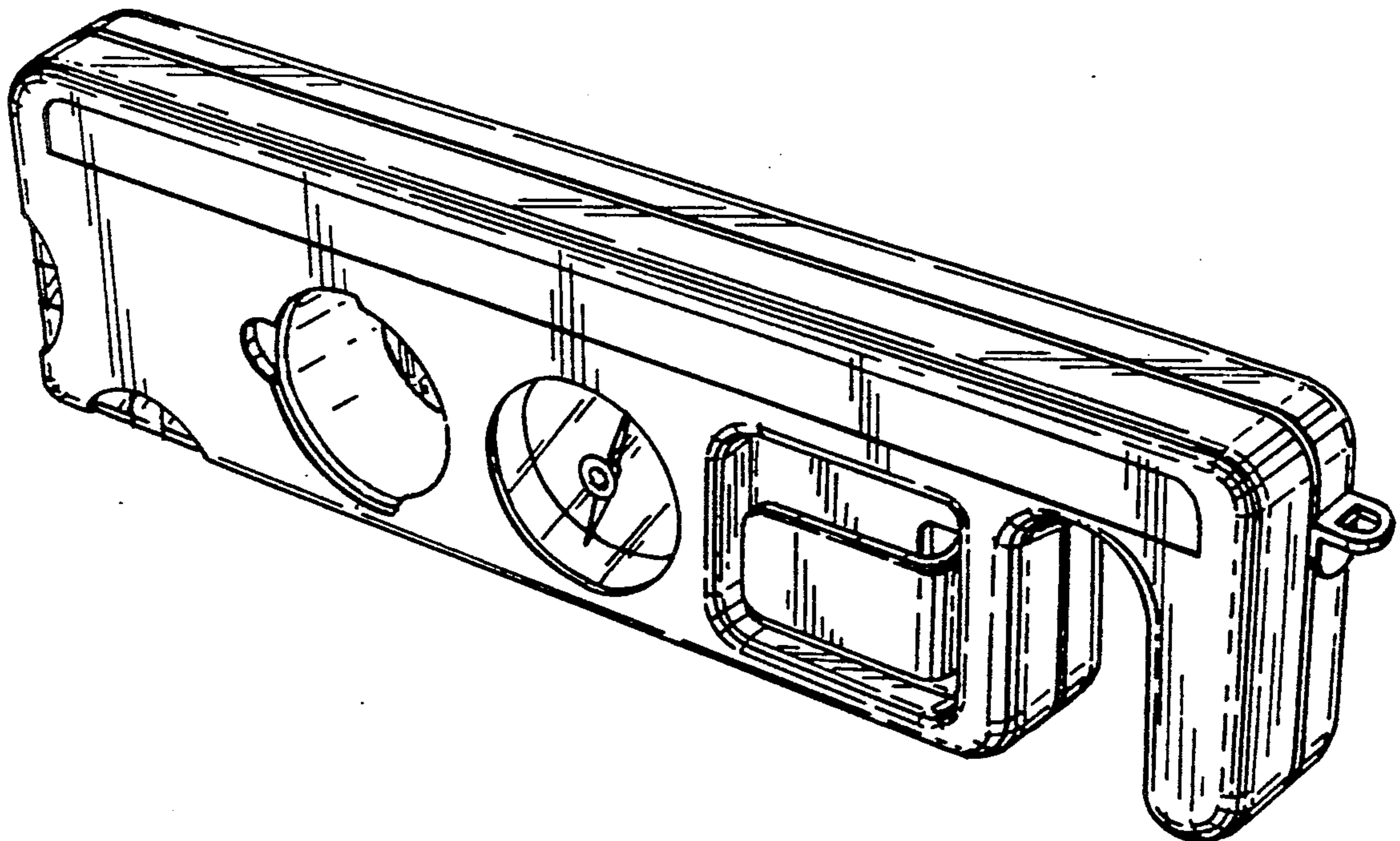
### [30] Foreign Application Priority Data

Nov. 8, 1989 [GB] United Kingdom ..... 2002263

[52] U.S. Cl. .... **D21/120**

[58] Field of Search ..... D21/59; D10/124, 46, D10/53, 62, 64, 69, 72; 446/227, 146; 434/259, 260, 258

FIG. 1 is a perspective view of a combined toy measuring tool showing our new design; FIG. 2 is a front elevational view thereof; FIG. 3 is a rear elevational view thereof; FIG. 4 is a side elevational view thereof; FIG. 5 is a side elevational view of the side opposite that shown in FIG. 4; FIG. 6 is a top plan view thereof; and, FIG. 7 is a bottom plan view thereof.



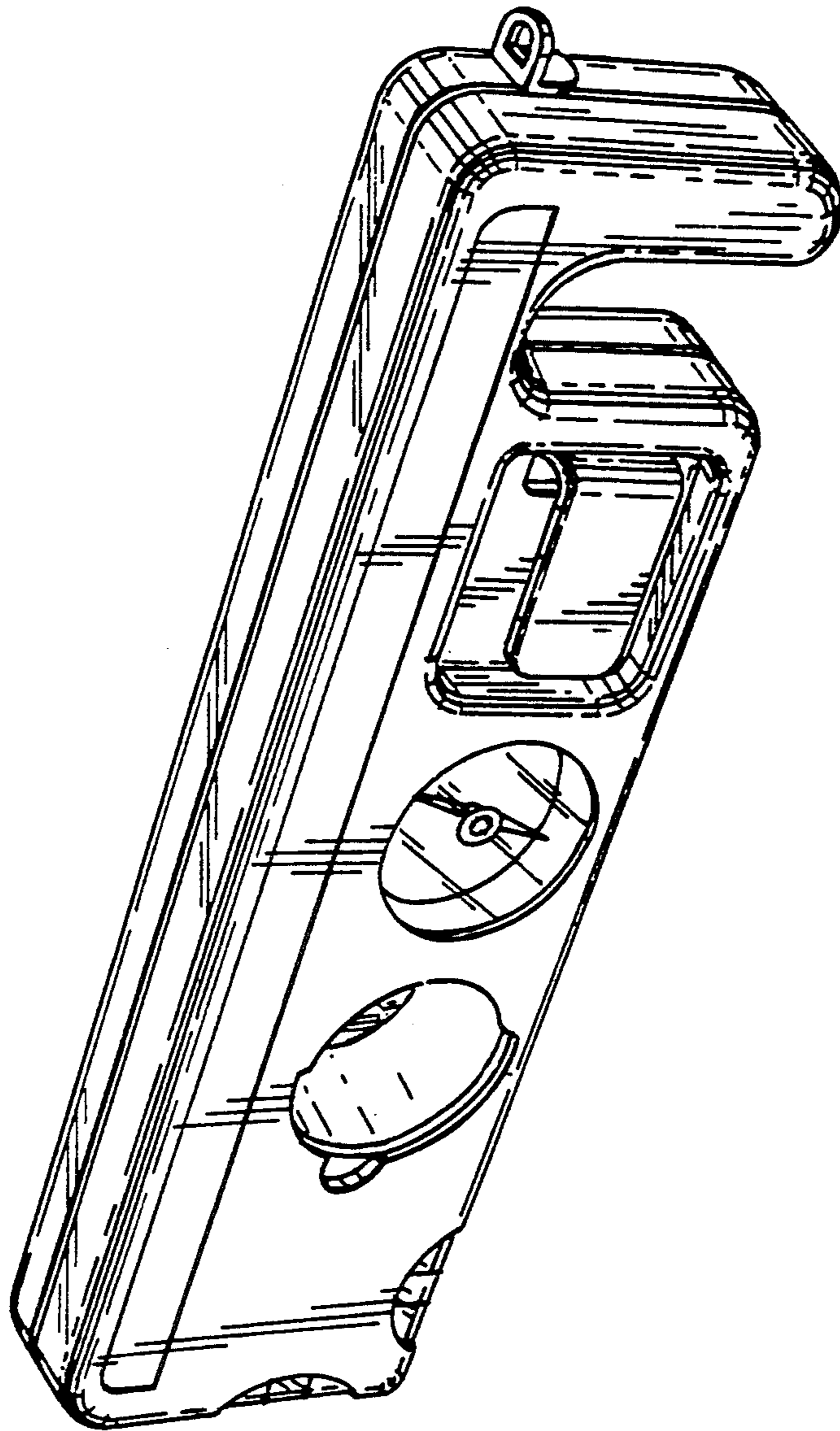


FIG.1

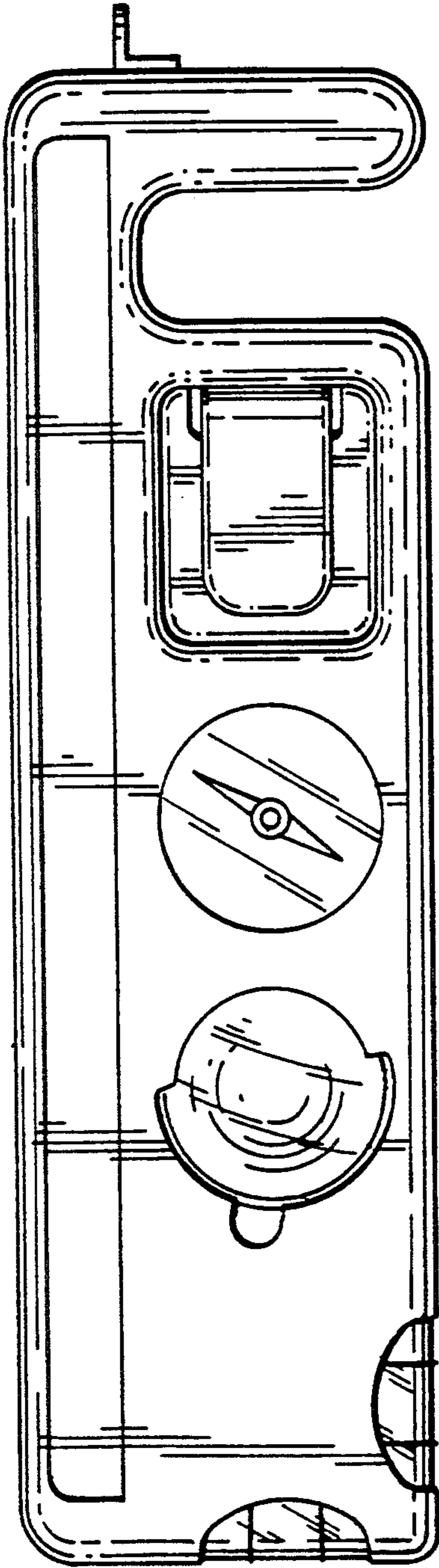


FIG. 2

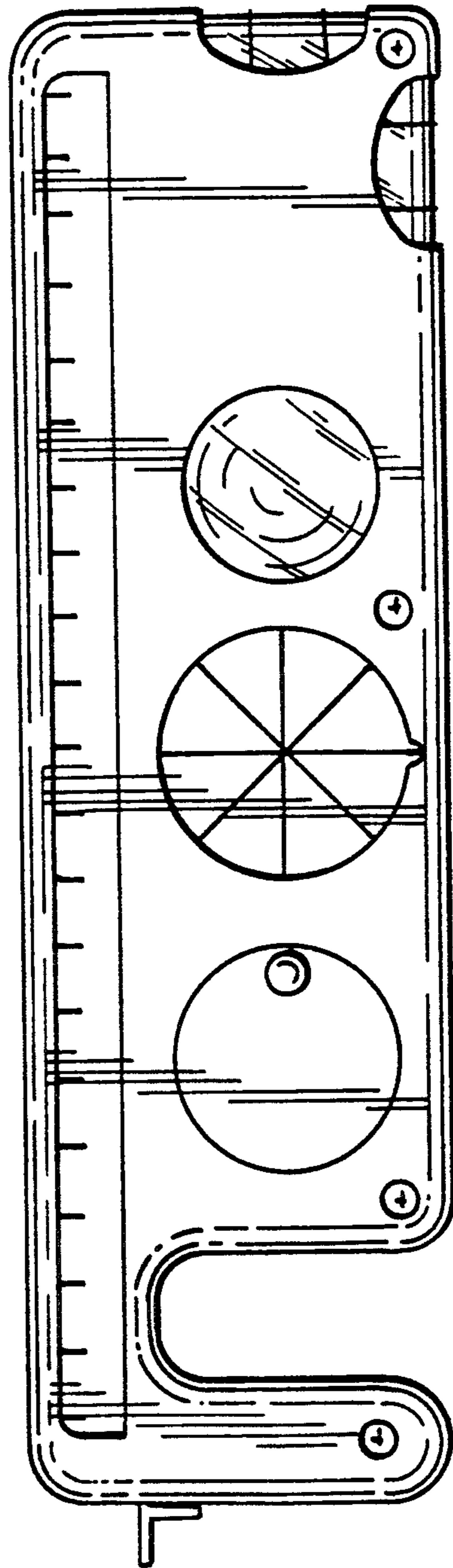


FIG. 3

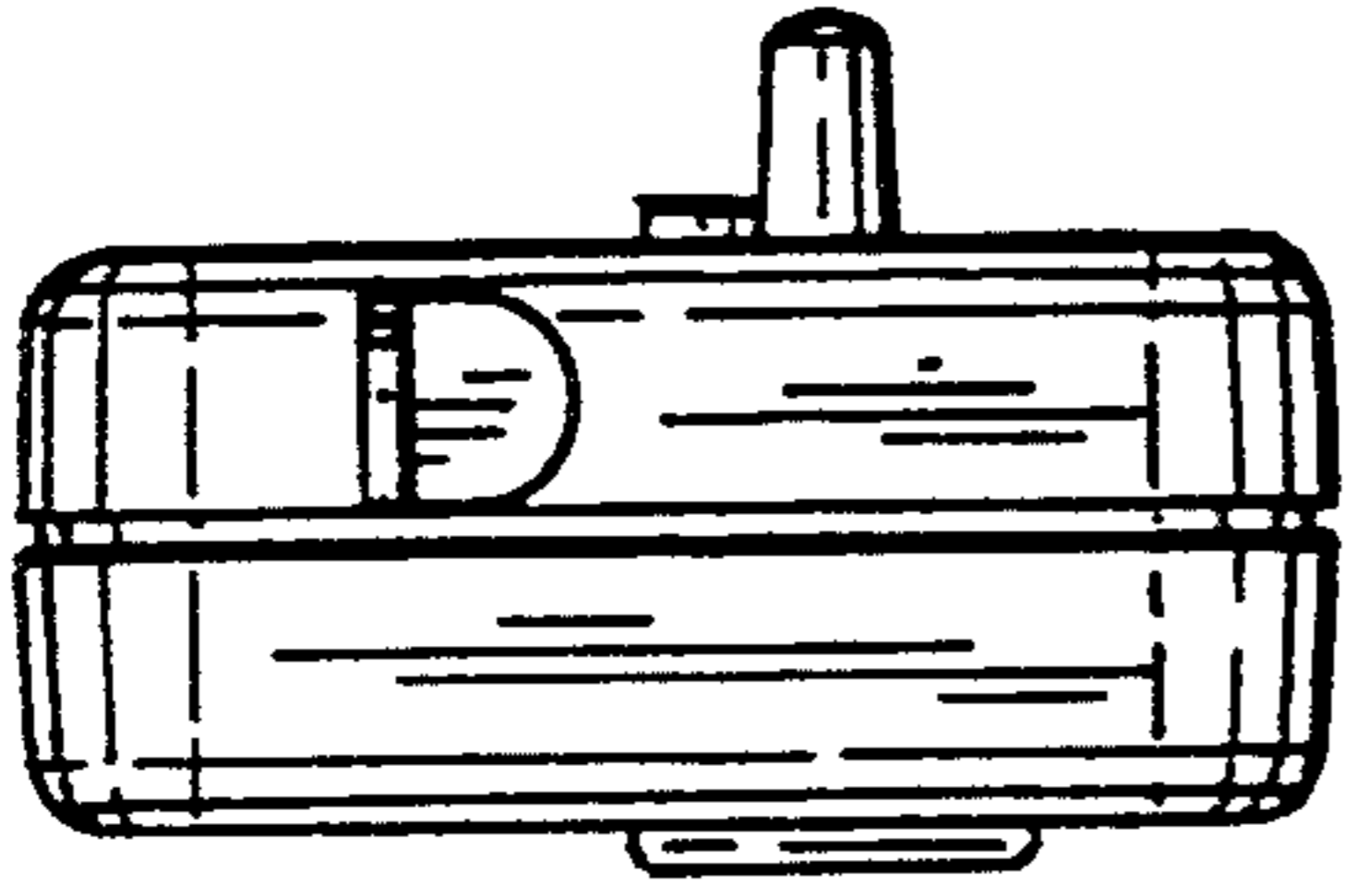


FIG. 5

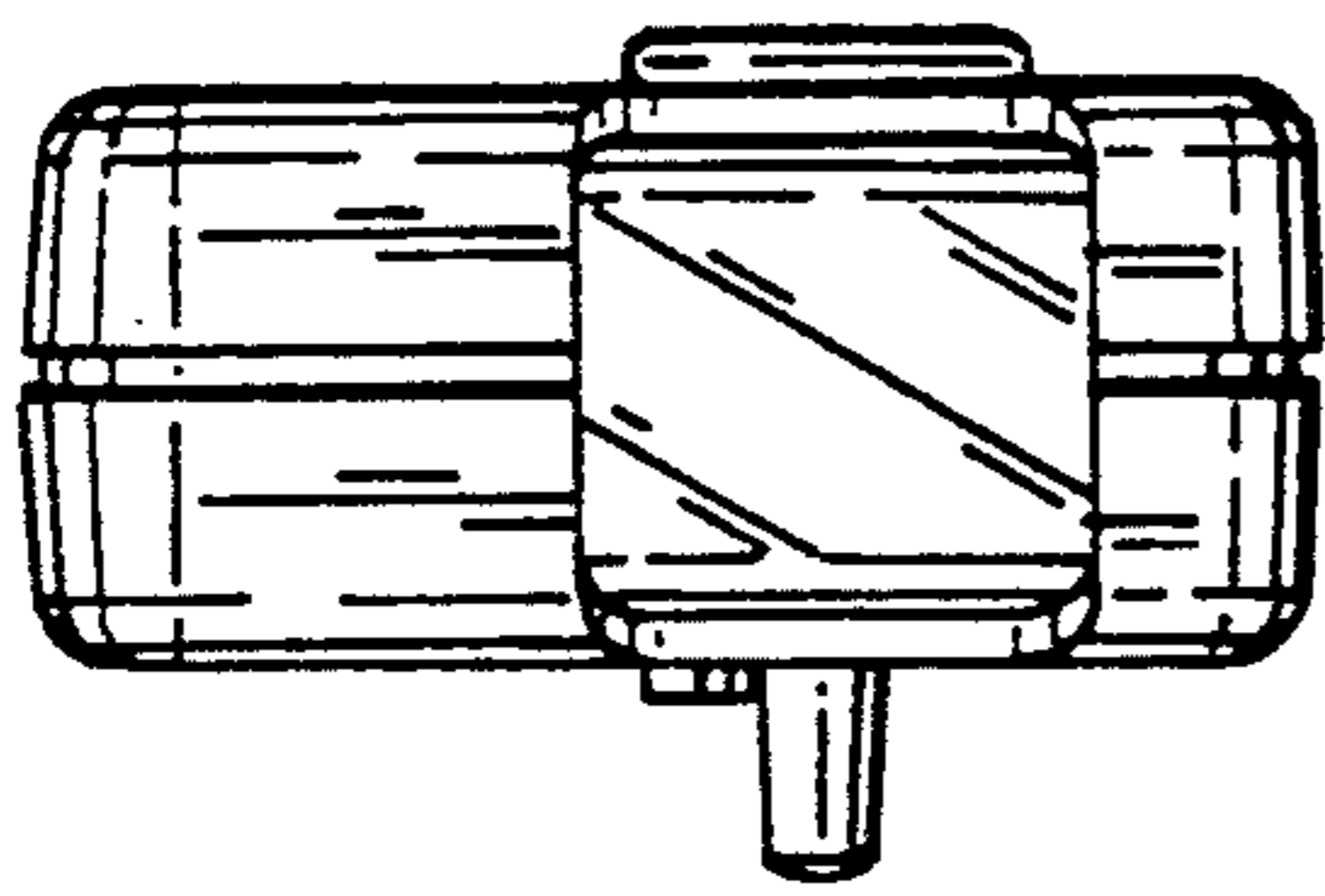


FIG. 4

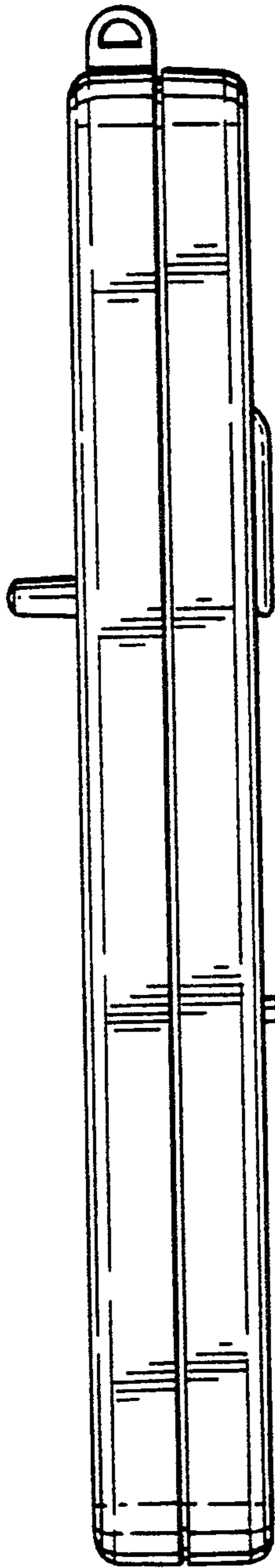


FIG. 6

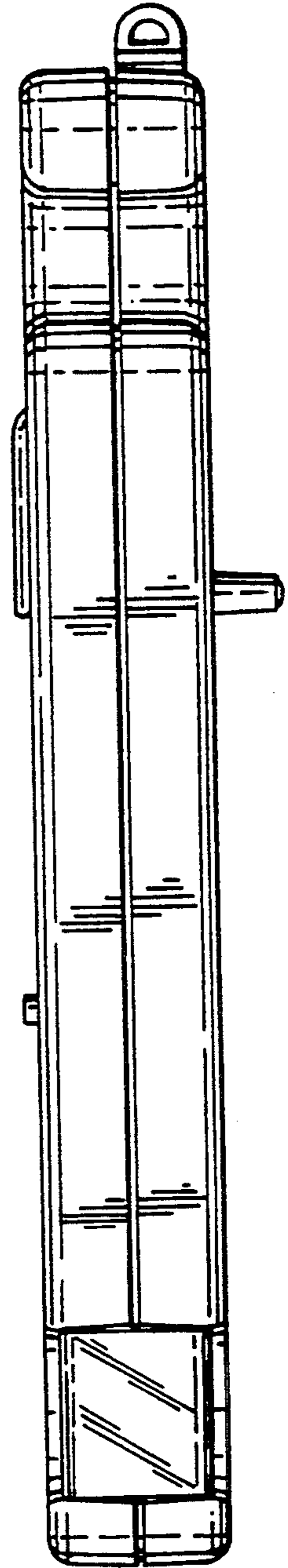


FIG. 7