



US00D328619S

# United States Patent [19]

[11] Patent Number: **Des. 328,619**

Ditto

[45] Date of Patent: **\*\* Aug. 11, 1992**

[54] TOY GLIDER

2,778,154 1/1957 Dauwe ..... 244/154  
3,883,092 5/1975 Ditto ..... 244/16

[76] Inventor: **Ralph L. Ditto**, P.O. Box 1561, Hilo, Hi. 96721

*Primary Examiner*—Charles A. Rademaker  
*Attorney, Agent, or Firm*—Baker, Maxham, Jester & Meador

[\*\*] Term: **14 Years**

[21] Appl. No.: **679,553**

[57] **CLAIM**

[22] Filed: **Apr. 2, 1991**

The ornamental design for a toy glider, as shown and described.

[52] U.S. Cl. .... **D21/89**

[58] Field of Search ..... D21/82, 83, 87, 89, D21/90; 446/34, 61-68; 244/153 R, 154

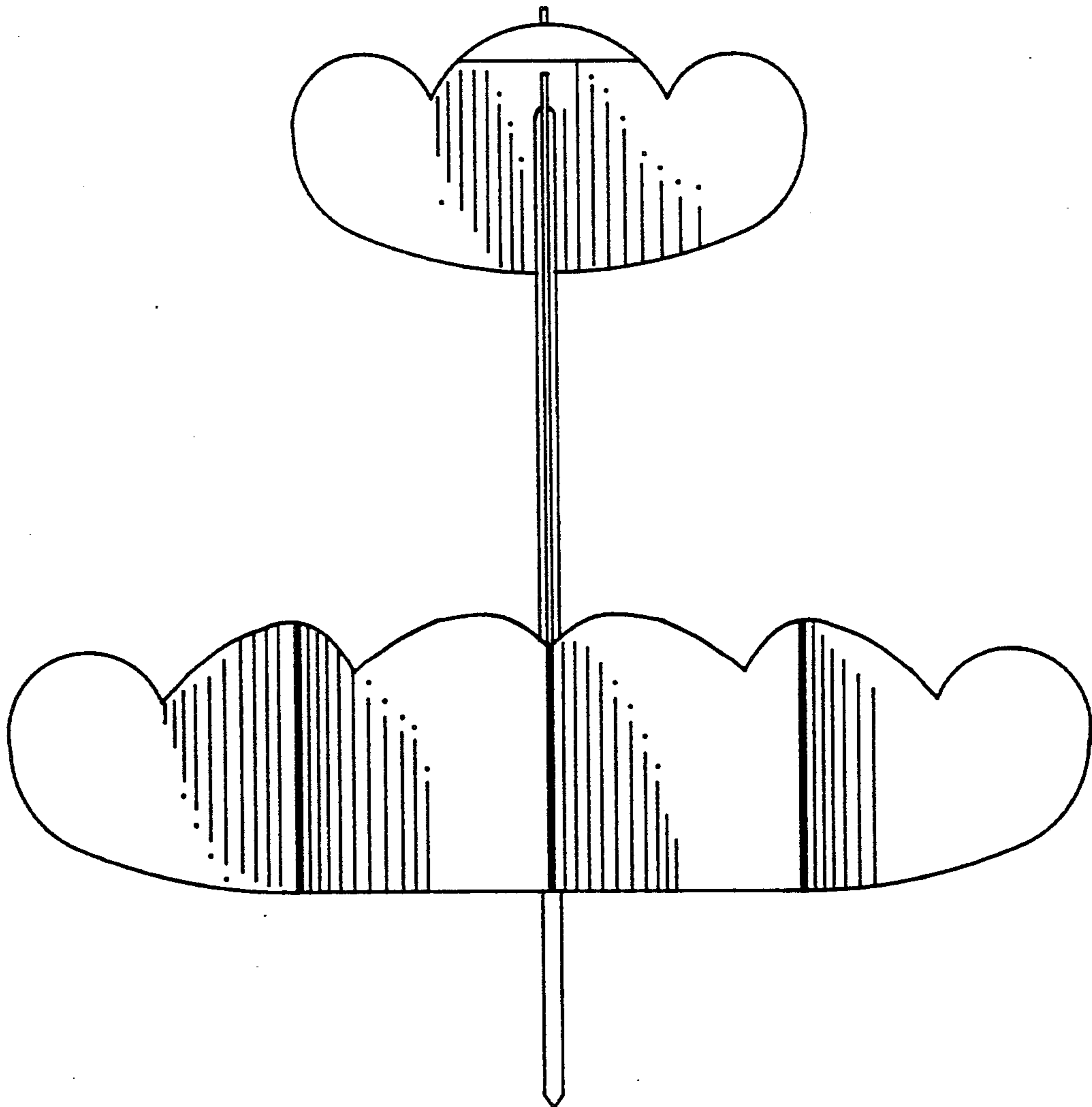
**DESCRIPTION**

[56] **References Cited**

**U.S. PATENT DOCUMENTS**

D. 136,013 7/1943 Horback ..... D21/89  
D. 242,866 12/1976 Ditto ..... D21/87  
2,410,627 11/1946 Brand ..... D21/83

FIG. 1 is a top plan view of a toy glider showing my new design;  
FIG. 2 is a side elevational view thereof, the other side being substantially a mirror image;  
FIG. 3 is a front elevational view thereof;  
FIG. 4 is a bottom plan view thereof; and,  
FIG. 5 is a rear elevational view thereof.



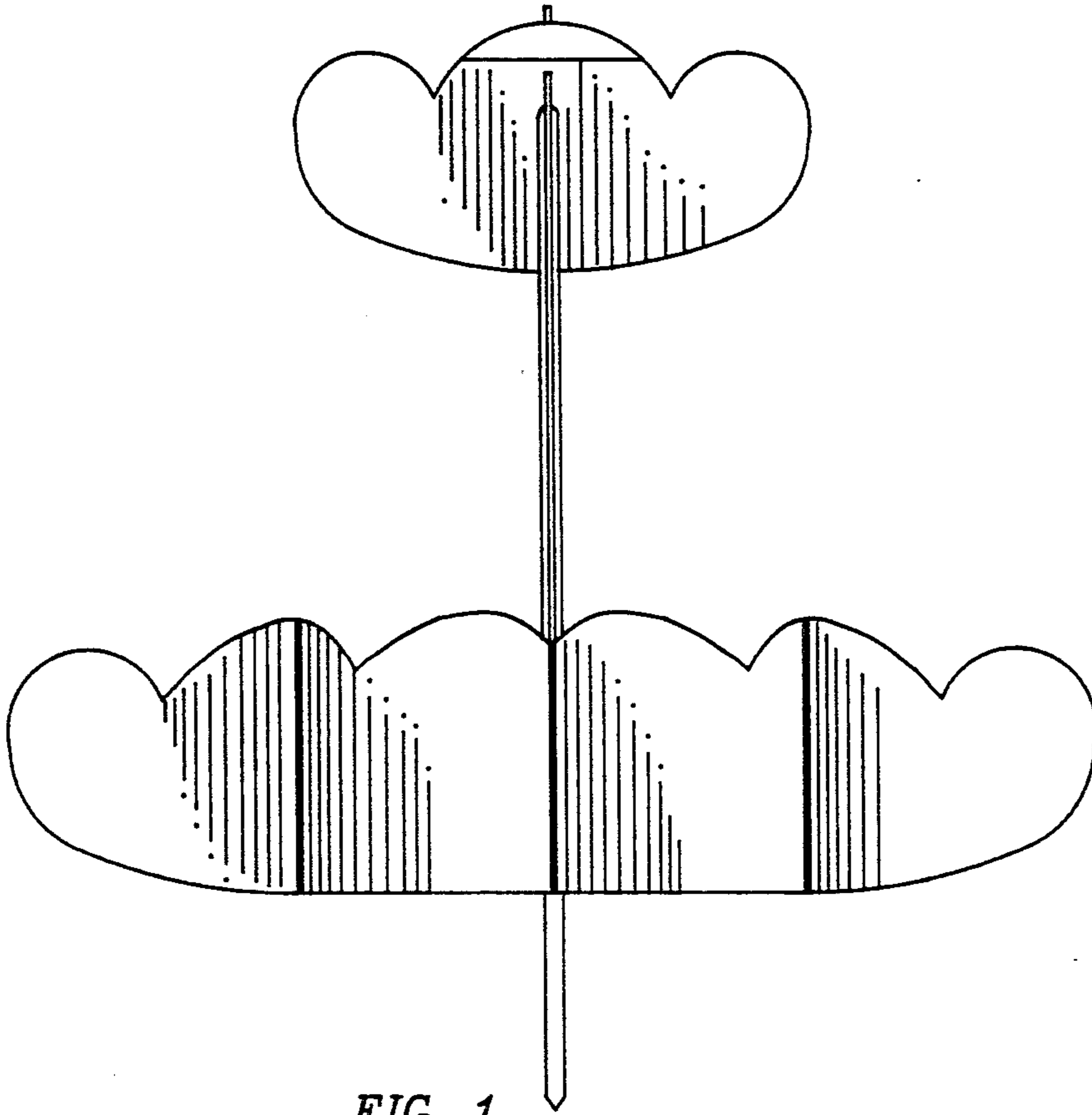


FIG. 1

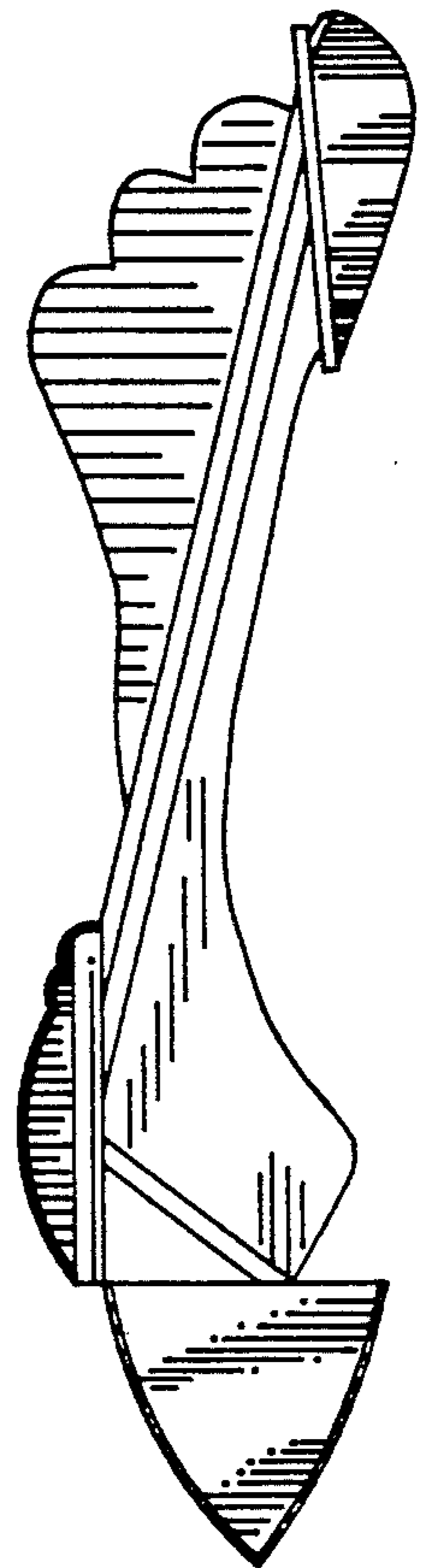


FIG. 2

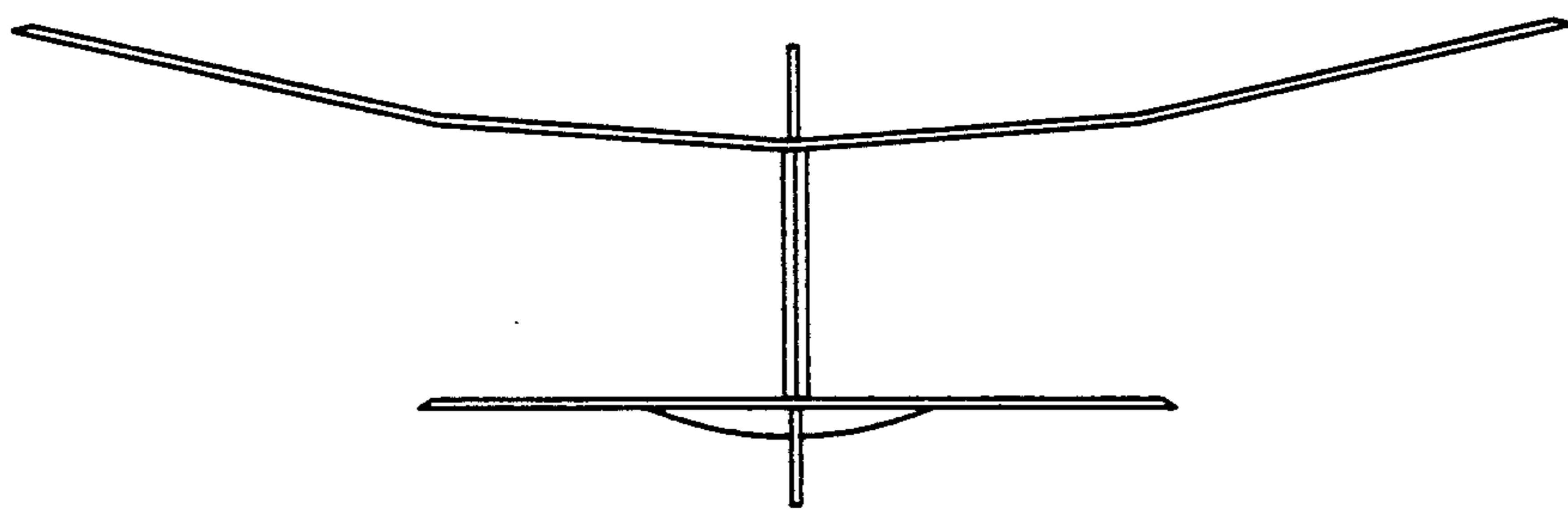


FIG. 3

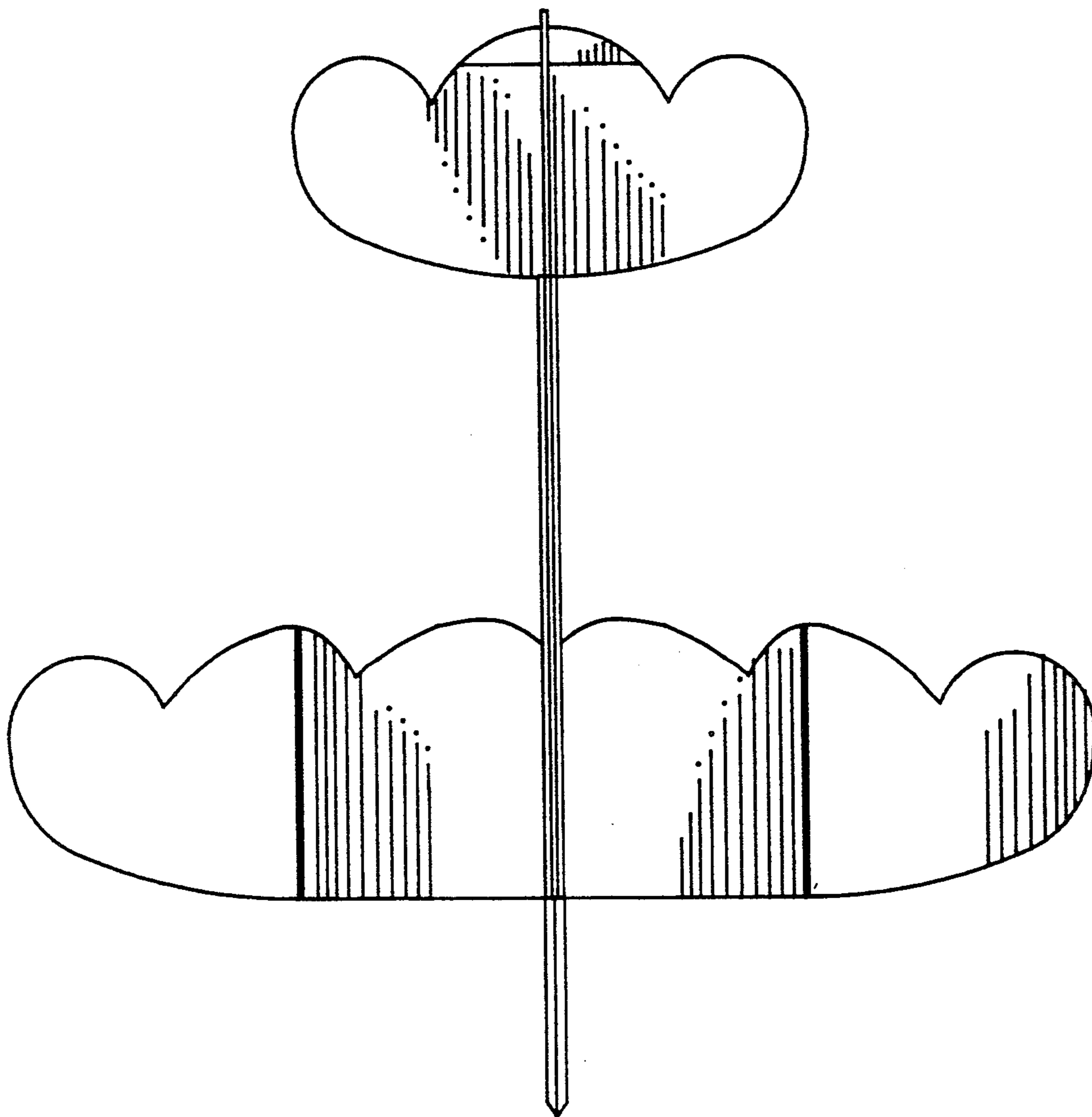


FIG. 4

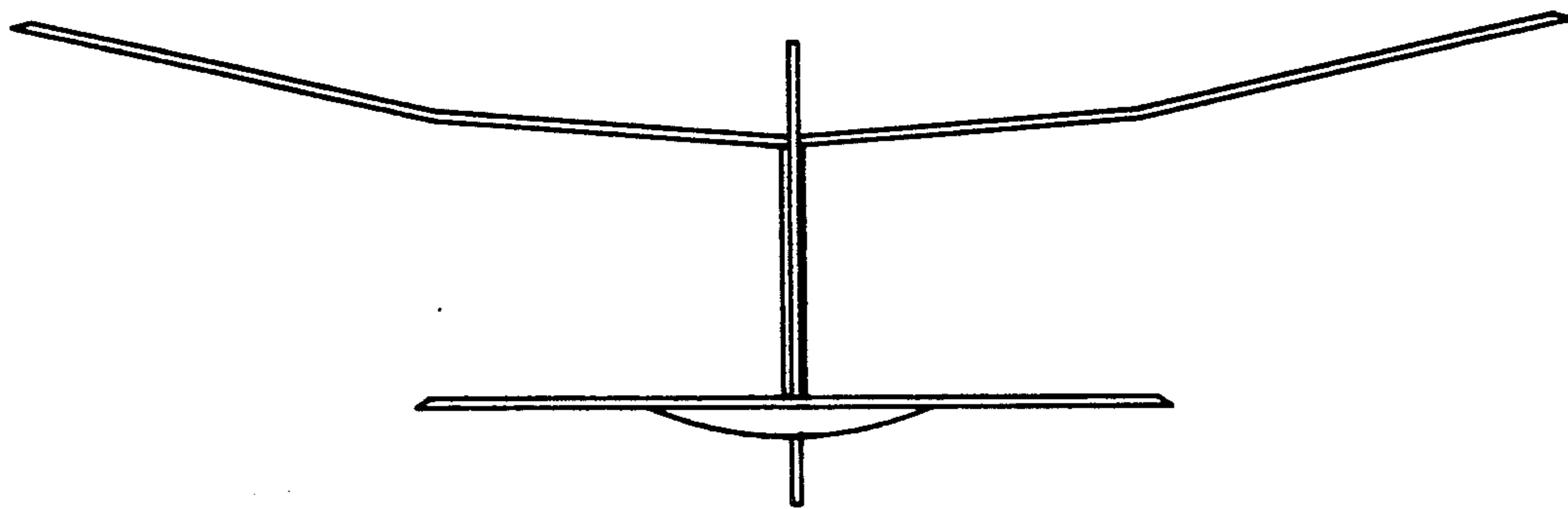


FIG. 5