



US00D328616S

United States Patent [19]

[11] Patent Number: Des. 328,616

Elder

[45] Date of Patent: ** Aug. 11, 1992

[54] GAME

907,421	12/1908	Steinhardt et al.	273/241
3,592,472	7/1971	Kent	273/236
4,477,080	10/1984	Baker	273/241

[76] Inventor: Bruce S. Elder, 51 Barra Terrace, Dundee, Scotland

[**] Term: 14 Years

[21] Appl. No.: 329,105

[22] Filed: Mar. 23, 1989

[30] Foreign Application Priority Data

Sep. 23, 1988 [GB] United Kingdom 1053716

[52] U.S. Cl. D21/23; D21/32

[58] Field of Search D21/14-36; 273/236-285

[56] References Cited

U.S. PATENT DOCUMENTS

D. 172,246 5/1954 Payne D21/17

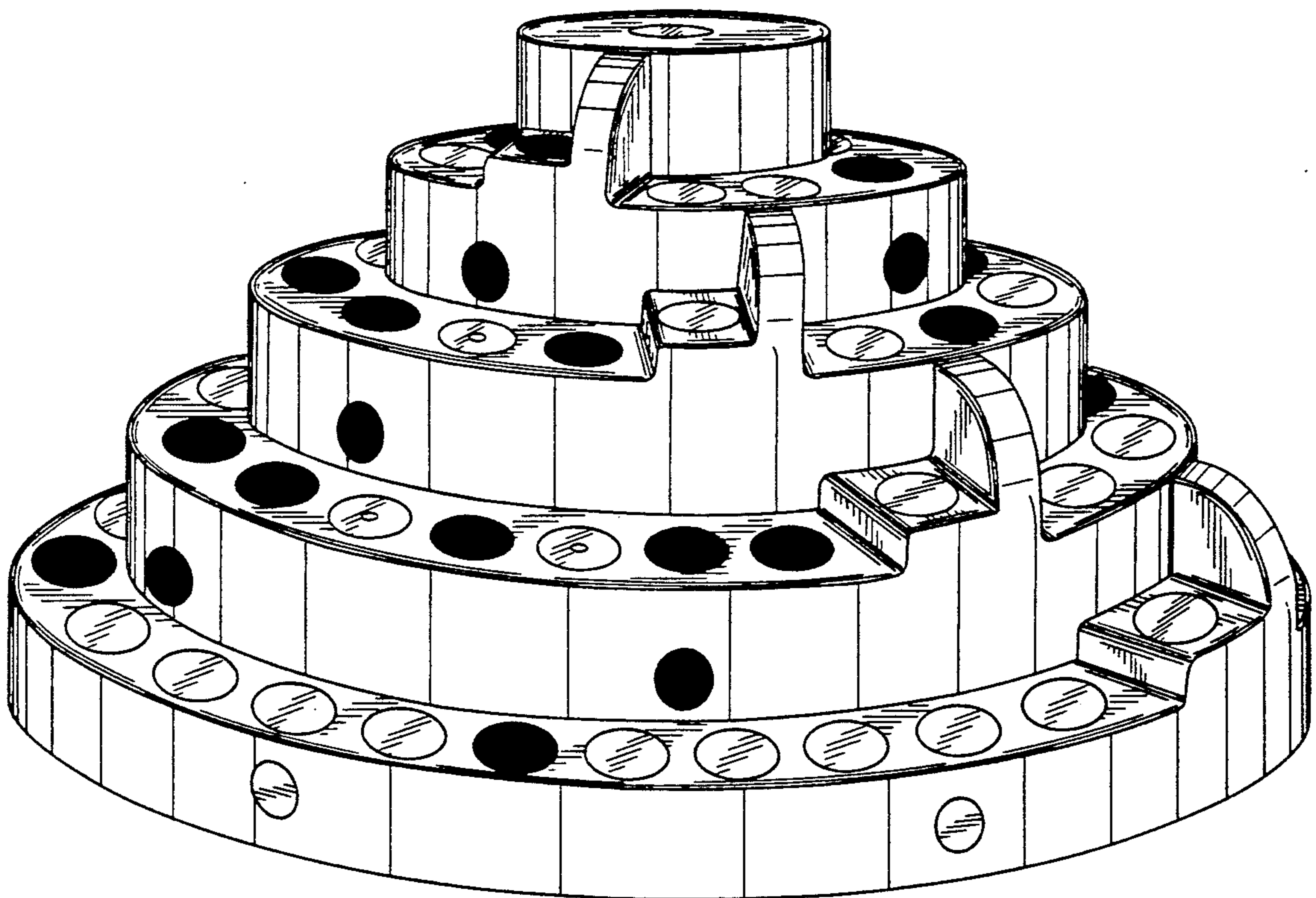
Primary Examiner—Bernard Ansher
Assistant Examiner—Sandra Morris
Attorney, Agent, or Firm—Ratner & Prestia

[57] CLAIM

The ornamental design for a board game, as shown and described.

DESCRIPTION

FIG. 1 is a side perspective view of a game, showing my new design;
FIG. 2 is a reduced top plan view thereof;
FIG. 3 is a reduced top perspective view thereof;
FIG. 4 is a reduced left side elevational view thereof; and,
FIG. 5 is a reduced right side elevational view thereof.



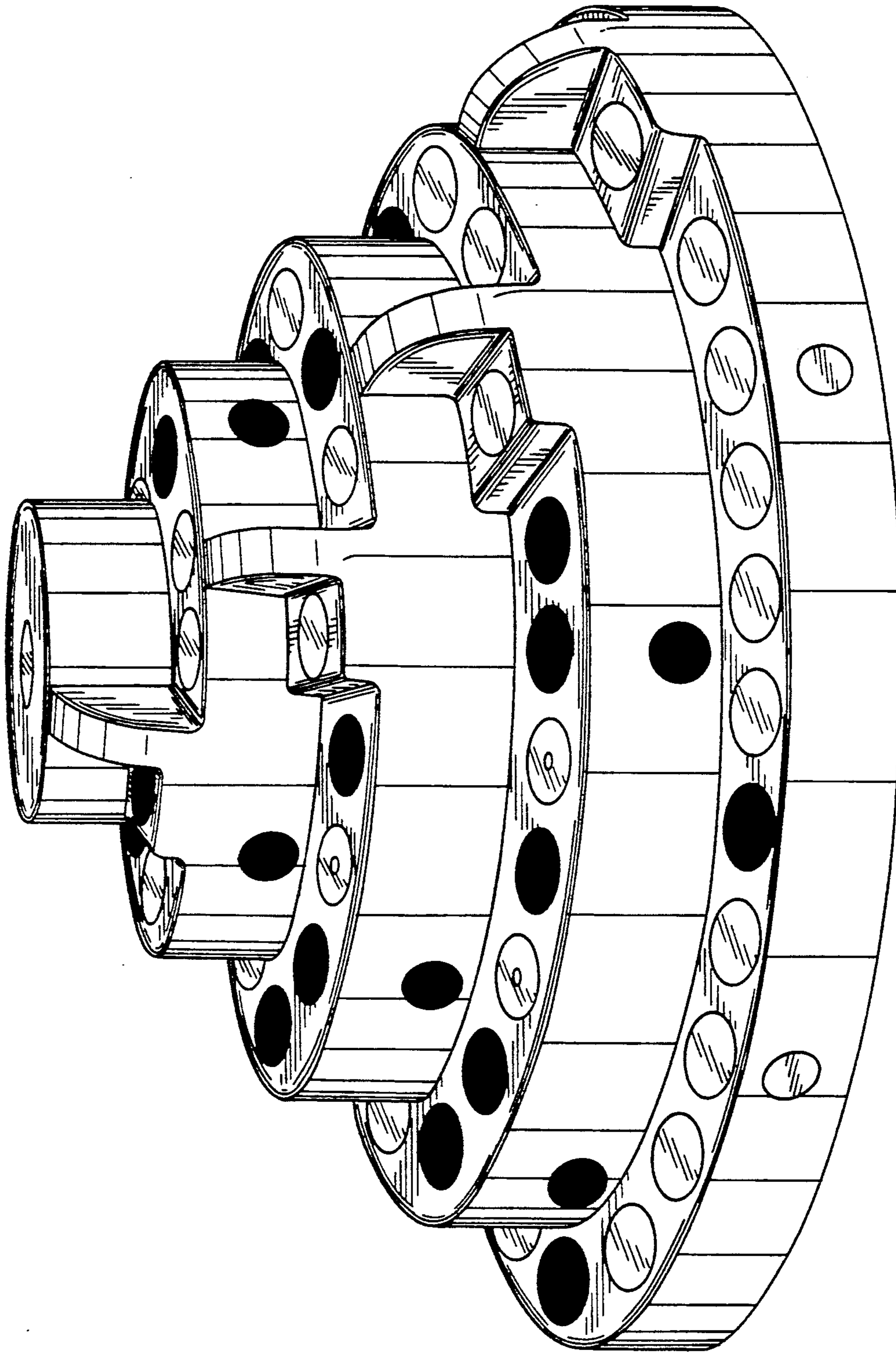


FIG. 1

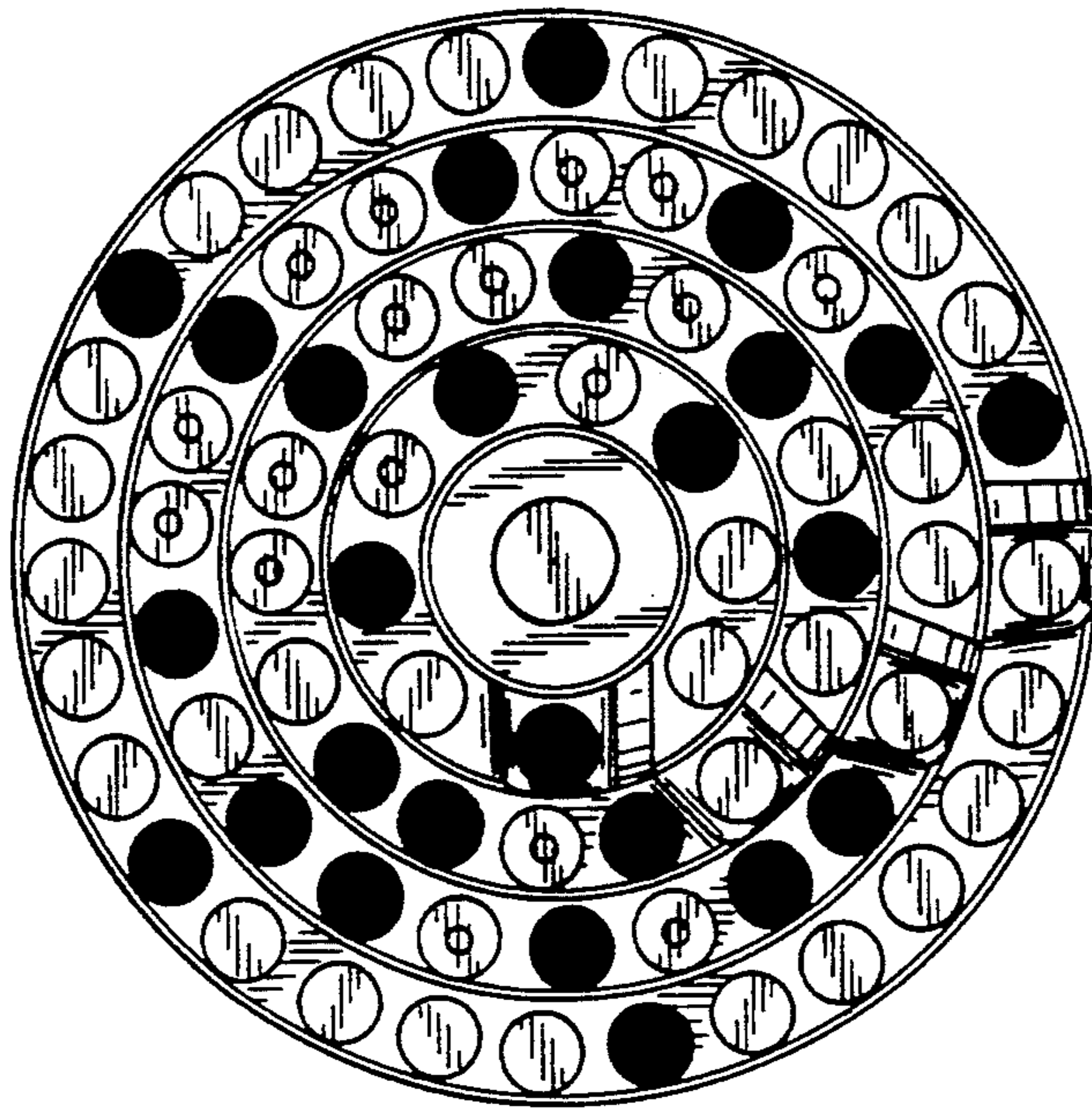


FIG. 2

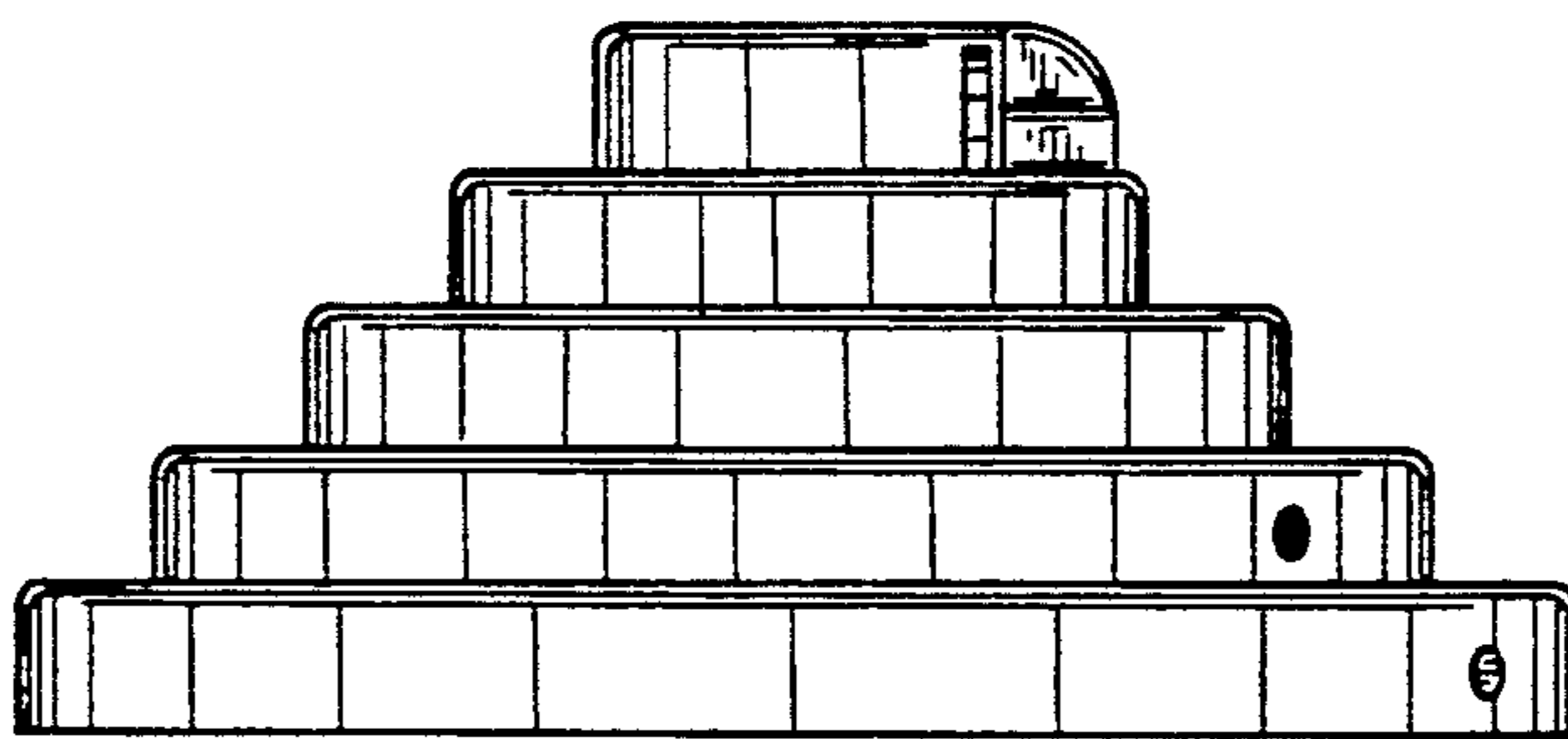


FIG. 4

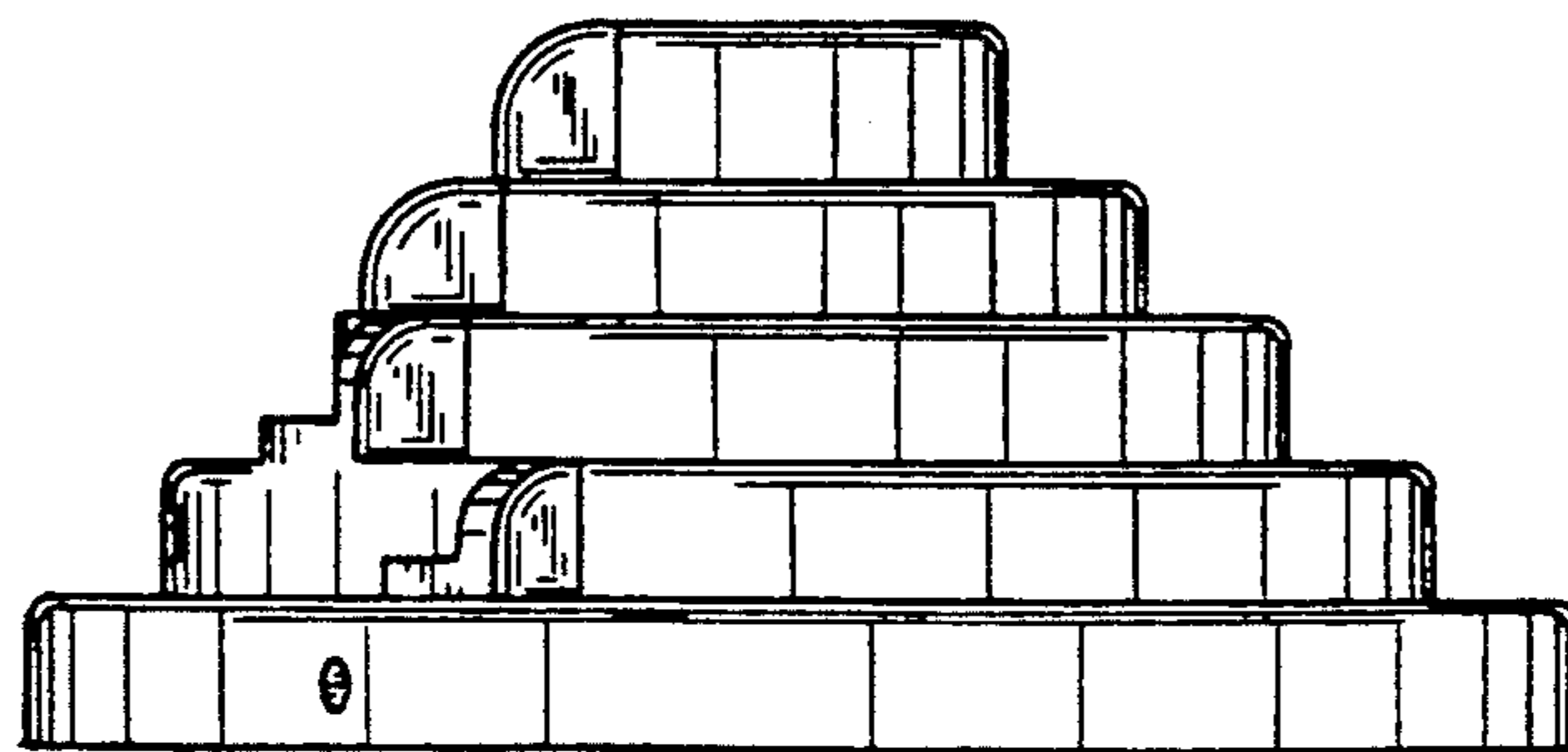


FIG. 5

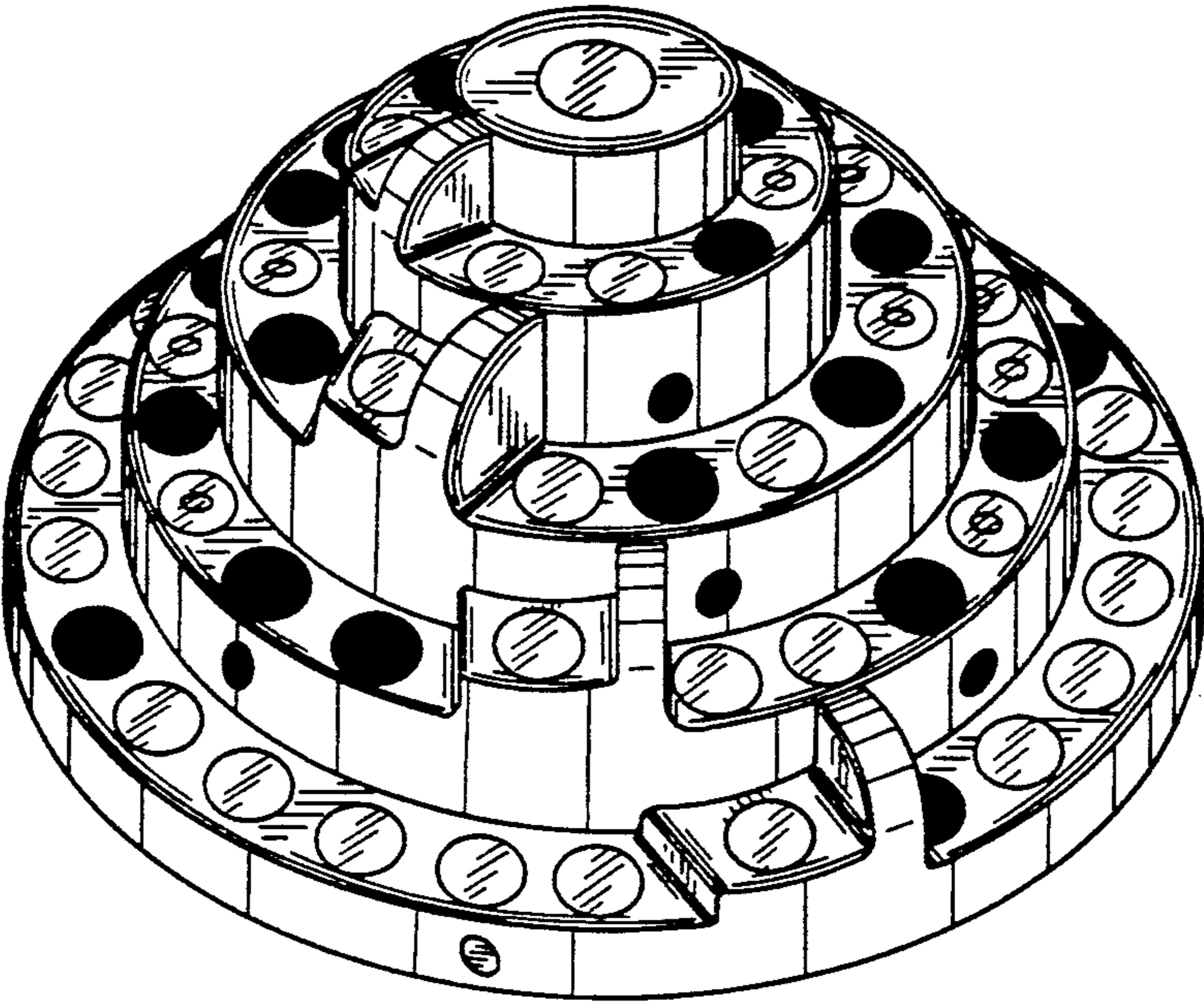


FIG. 3