



US00D328615S

# United States Patent [19]

[11] Patent Number: **Des. 328,615**

Taylor

[45] Date of Patent: **\*\* Aug. 11, 1992**

[54] **COMBINED PORTABLE FLOOR SIGN AND FAN UNIT**

3,846,935	11/1974	Wagner	40/606
4,298,186	11/1981	Glass	40/606
4,383,782	5/1983	Phillifant, Jr.	404/6
4,974,815	12/1990	Glass	404/6
4,977,697	12/1990	Genick	40/606

[76] Inventor: **Joe E. Taylor**, Rte. 9, Box 373C, Paris, Tex. 75460

[\*\*] Term: **14 Years**

*Primary Examiner*—Wallace R. Burke  
*Assistant Examiner*—Marcus Jackson  
*Attorney, Agent, or Firm*—Timmons & Kelly

[21] Appl. No.: **536,414**

[22] Filed: **Jun. 11, 1990**

[57] **CLAIM**

[52] U.S. Cl. .... **D20/19; D20/10; D10/109; D23/383**

The ornamental design for a combined portable floor sign and fan unit, as shown.

[58] Field of Search ..... **D20/10, 39, 40, 41, D20/42, 43; 40/606, 607, 611; 116/63 P, 63 R; 404/6, 7, 8, 9, 10, 11, 72; D23/383**

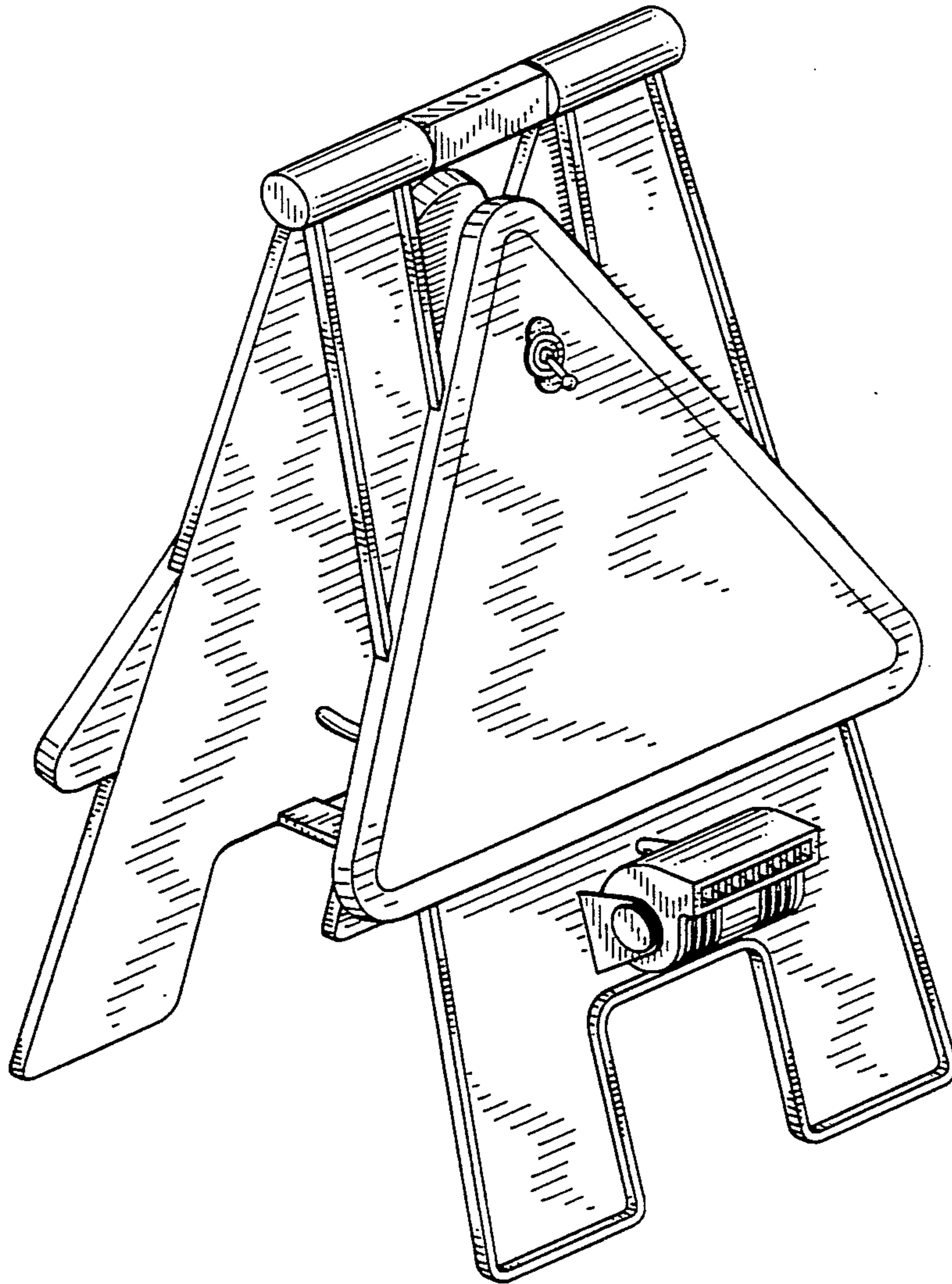
**DESCRIPTION**

[56] **References Cited**

**U.S. PATENT DOCUMENTS**

D. 257,720	12/1980	Rockman	D10/109
D. 282,396	1/1986	Weaver	D23/383
2,719,506	10/1955	Sequeira	116/63 P
2,850,228	9/1958	Rowley	D23/383

FIG. 1 is a front elevational view of a combined portable floor sign and fan unit showing my new design; FIG. 2 is a rear elevational view thereof; FIG. 3 is a left side elevational view thereof; FIG. 4 is a right side elevational view thereof; FIG. 5 is a top plan view thereof; FIG. 6 is a bottom plan view thereof; and, FIG. 7 is a perspective view thereof.



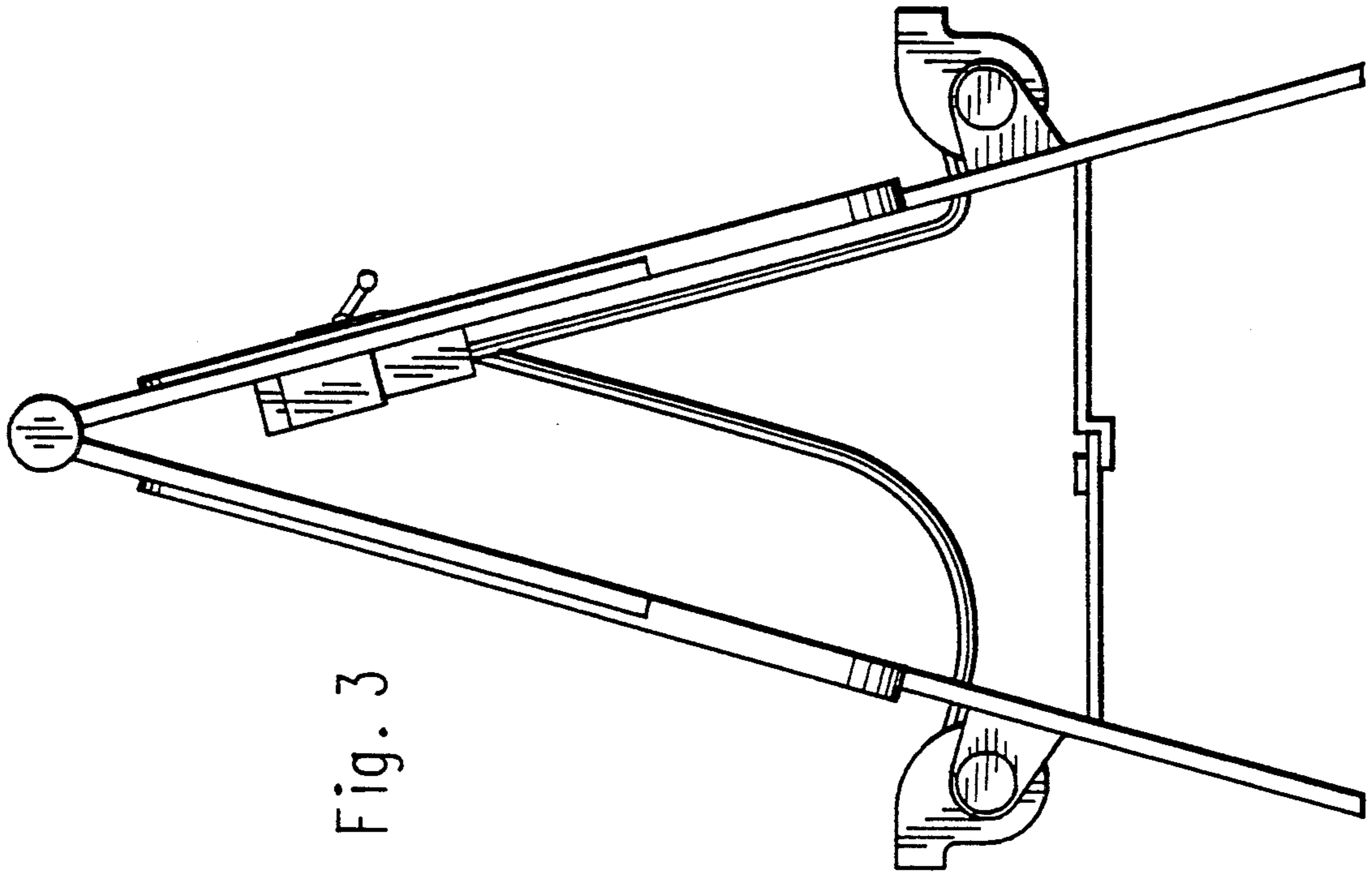


Fig. 3

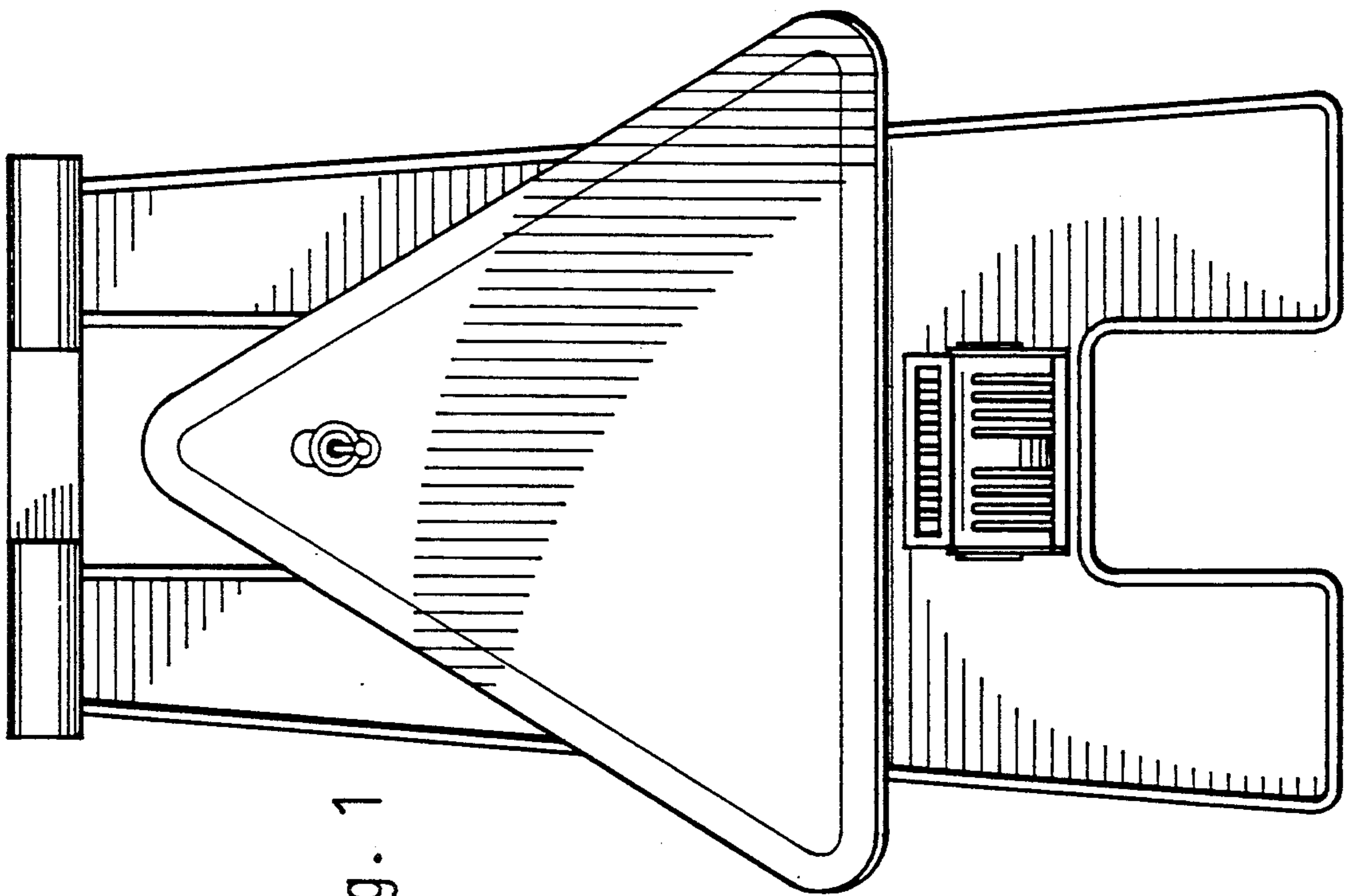
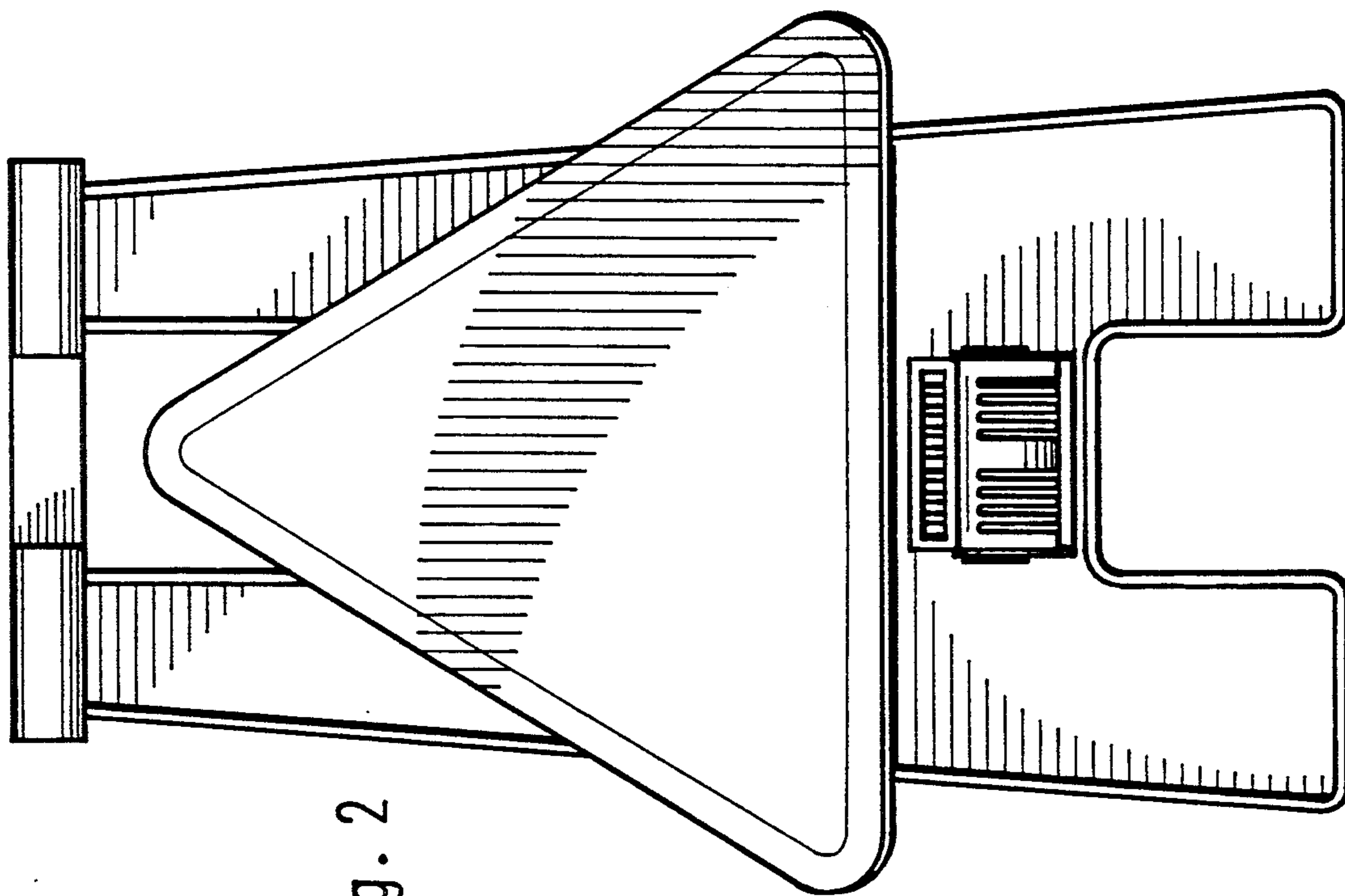
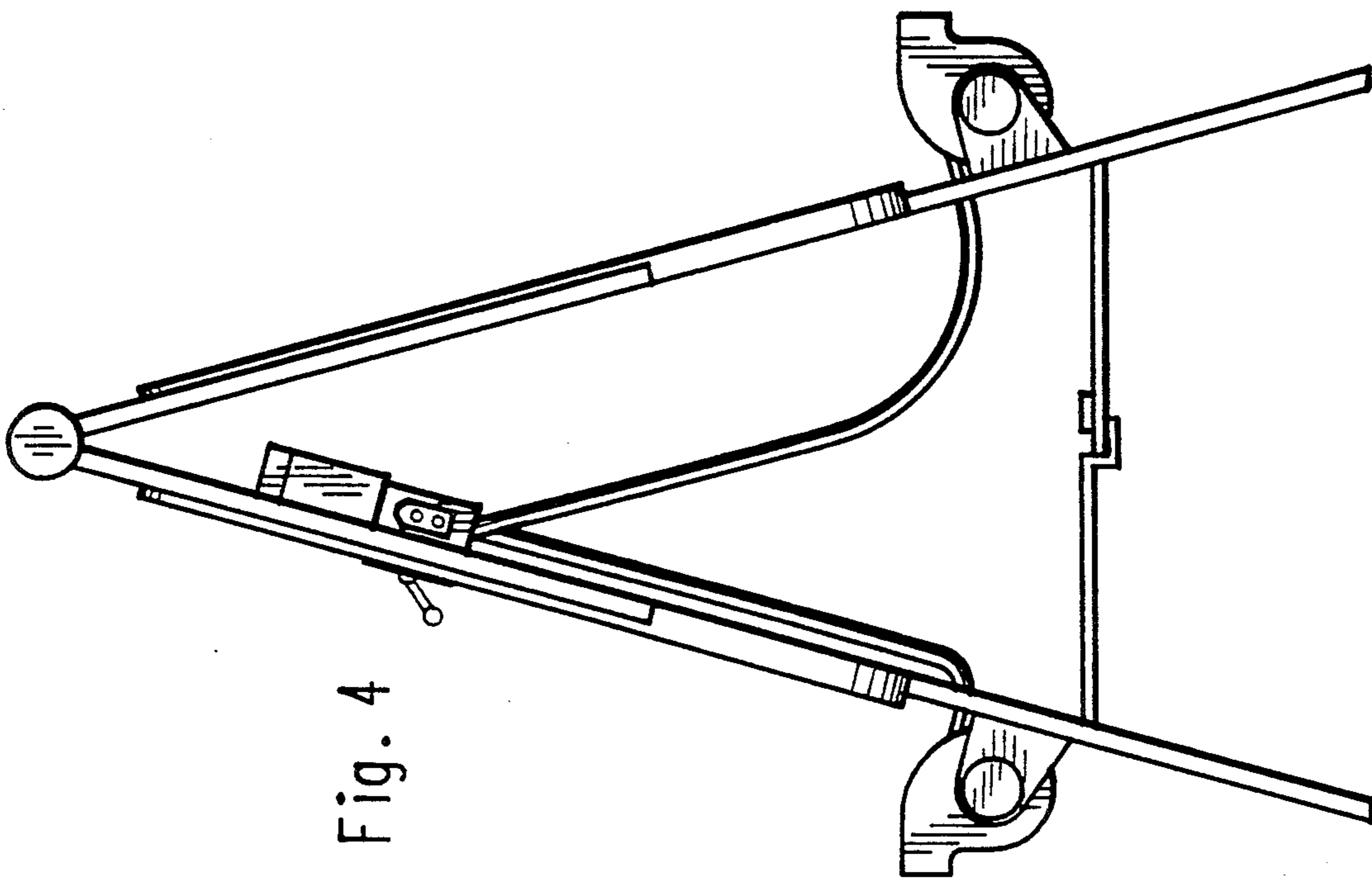


Fig. 1



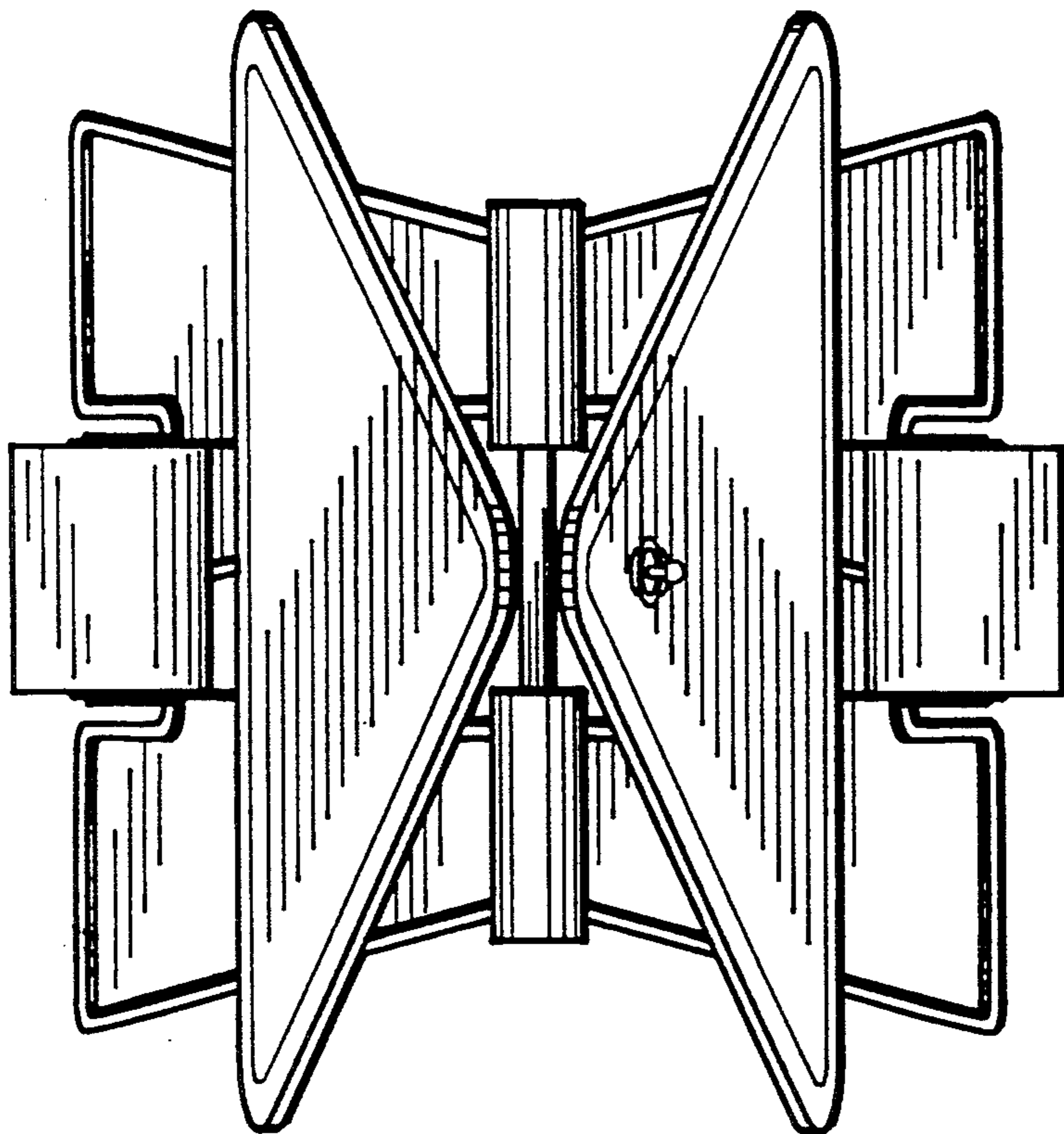


Fig. 5

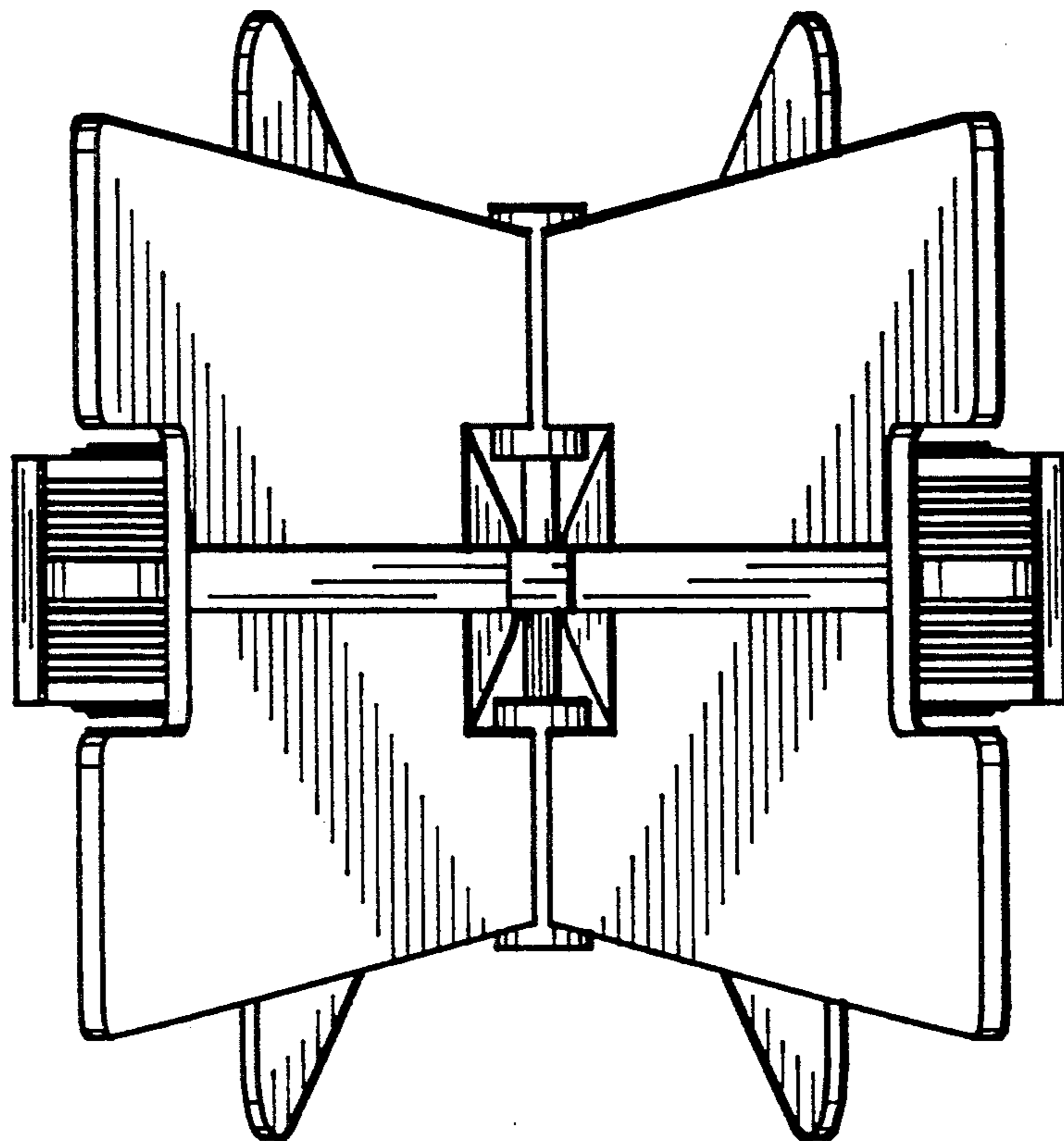


Fig. 6

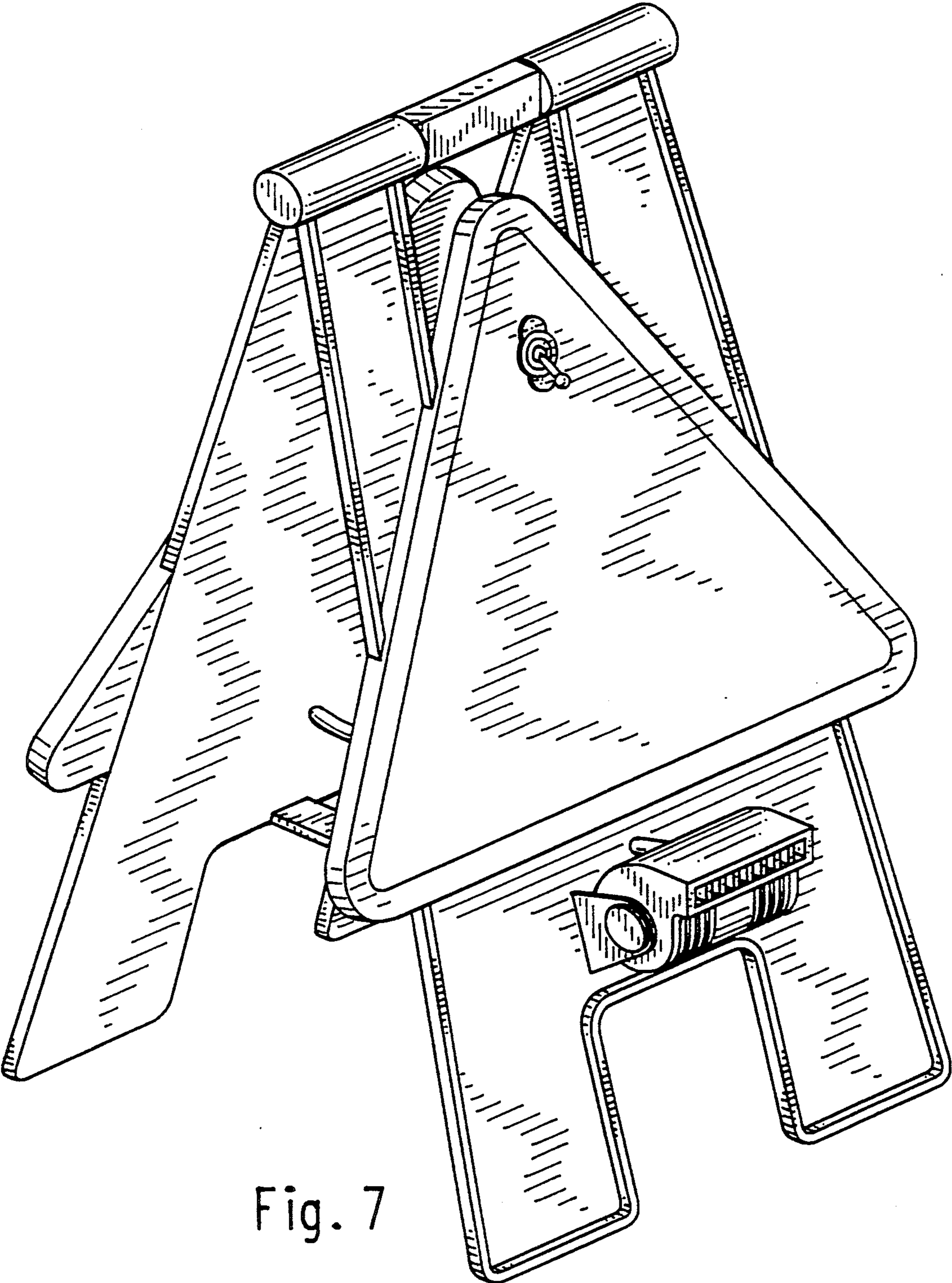


Fig. 7