



US00D328613S

United States Patent [19]

[11] Patent Number: **Des. 328,613**

Gonzalez Martin

[45] Date of Patent: **** Aug. 11, 1992**

[54] **SUPPORT MODULE FOR MOBILE ADVERTISING DISPLAYS FOR SPORTING ARENAS**

[75] Inventor: **D. Jose M. Gonzalez Martin, Madrid, Spain**

[73] Assignee: **Dorna Sports Promotion, Inc., New York, N.Y.**

[**] Term: **14 Years**

[21] Appl. No.: **540,563**

[22] Filed: **Jun. 19, 1990**

[30] **Foreign Application Priority Data**

Dec. 19, 1989 [ES] Spain 120.732

[52] U.S. Cl. **D20/10**

[58] Field of Search D20/10, 19, 39, 40, D20/41, 42, 43; 40/429, 430, 427, 431, 411, 414, 584, 606, 613, 614, 615

[56] **References Cited**

U.S. PATENT DOCUMENTS

1,374,921	4/1921	Houston	40/430
2,211,353	8/1940	Solkover	40/429
2,252,124	8/1941	Hanson	40/429
2,963,807	12/1960	Relph et al.	D20/10
3,475,845	11/1969	Estvan, Jr.	40/430

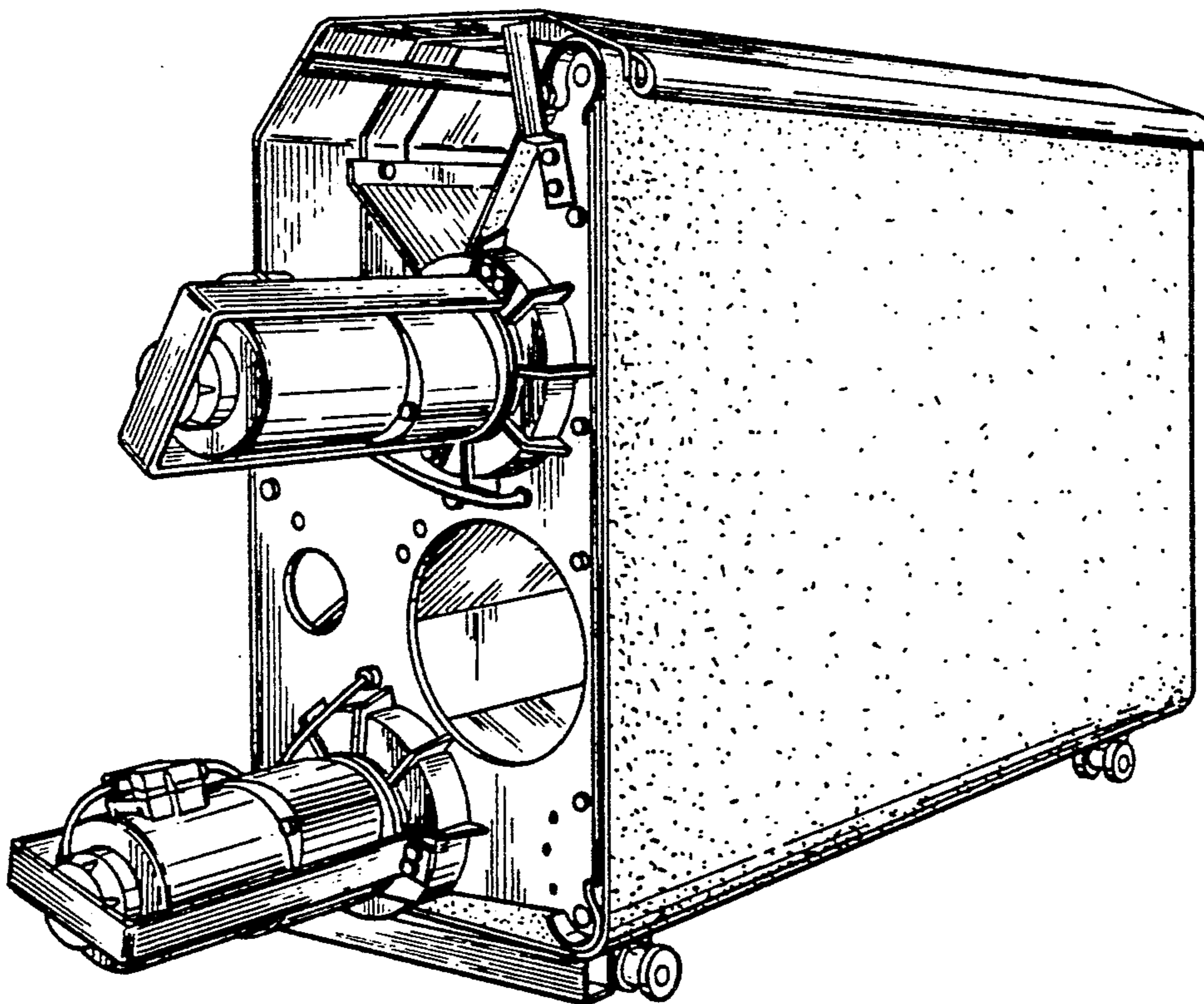
Primary Examiner—Wallace R. Burke
Assistant Examiner—Marcus Jackson
Attorney, Agent, or Firm—Helfgott & Karas

[57] **CLAIM**

The ornamental design for a support module for mobile advertising displays for sporting arenas, as shown and described.

DESCRIPTION

FIG. 1 is a rear perspective view of a support module for mobile advertising displays for sporting arenas showing my new design, with the rear panel shown in open condition; FIG. 2 is a front perspective view thereof; and, FIG. 3 is a rear perspective view thereof, with the rear panel shown in closed condition.



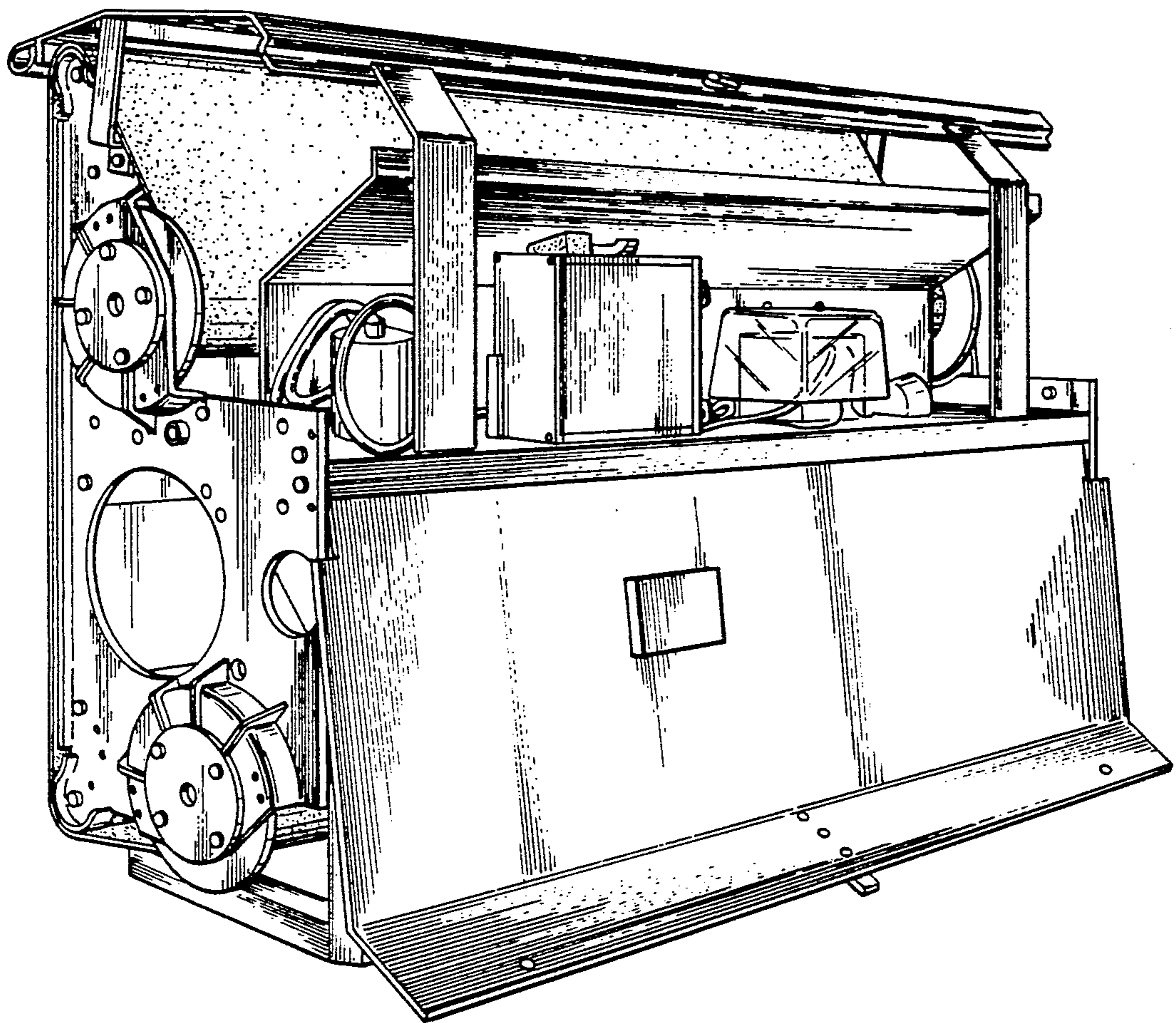


Fig. 1.

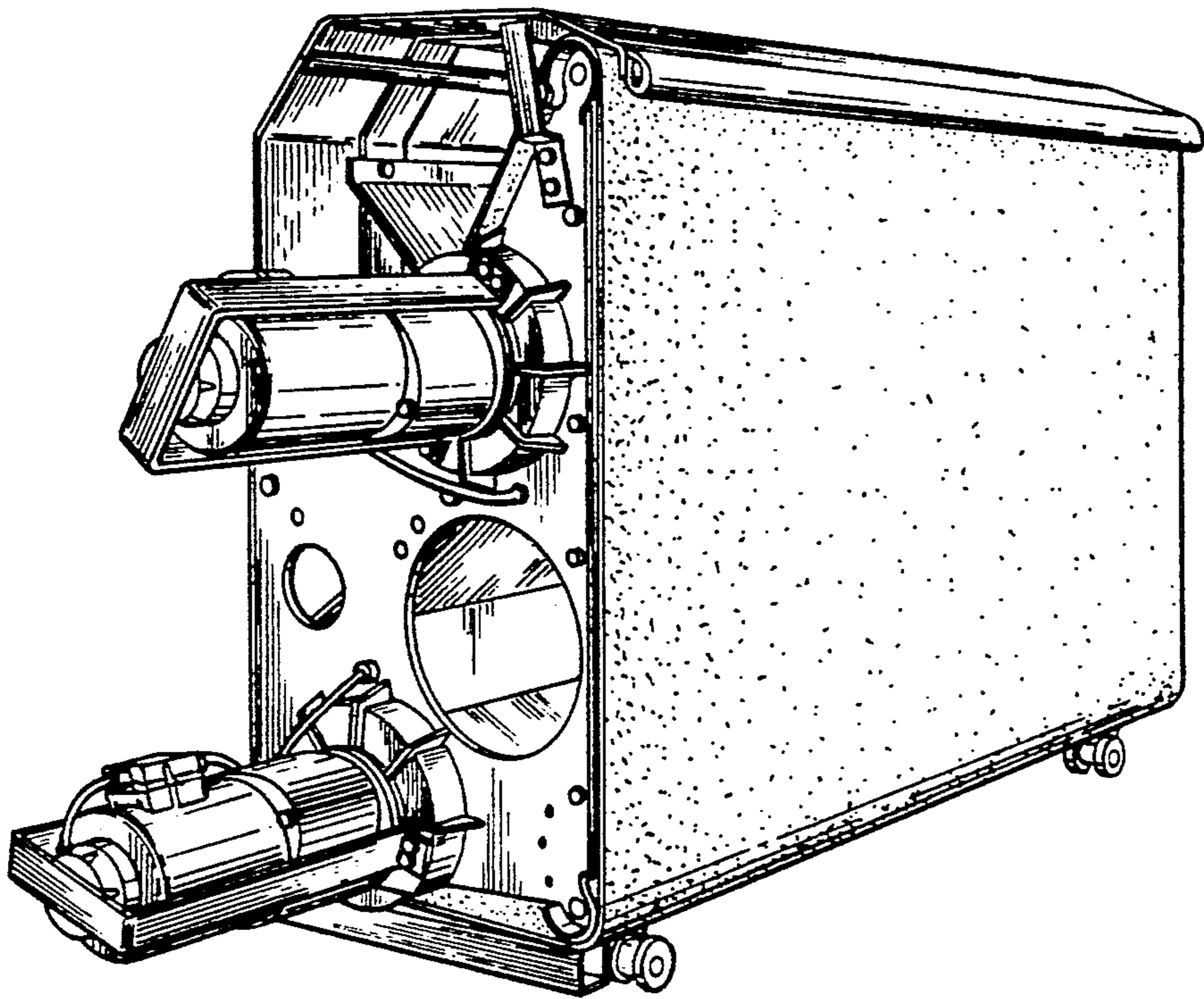


Fig. 2.

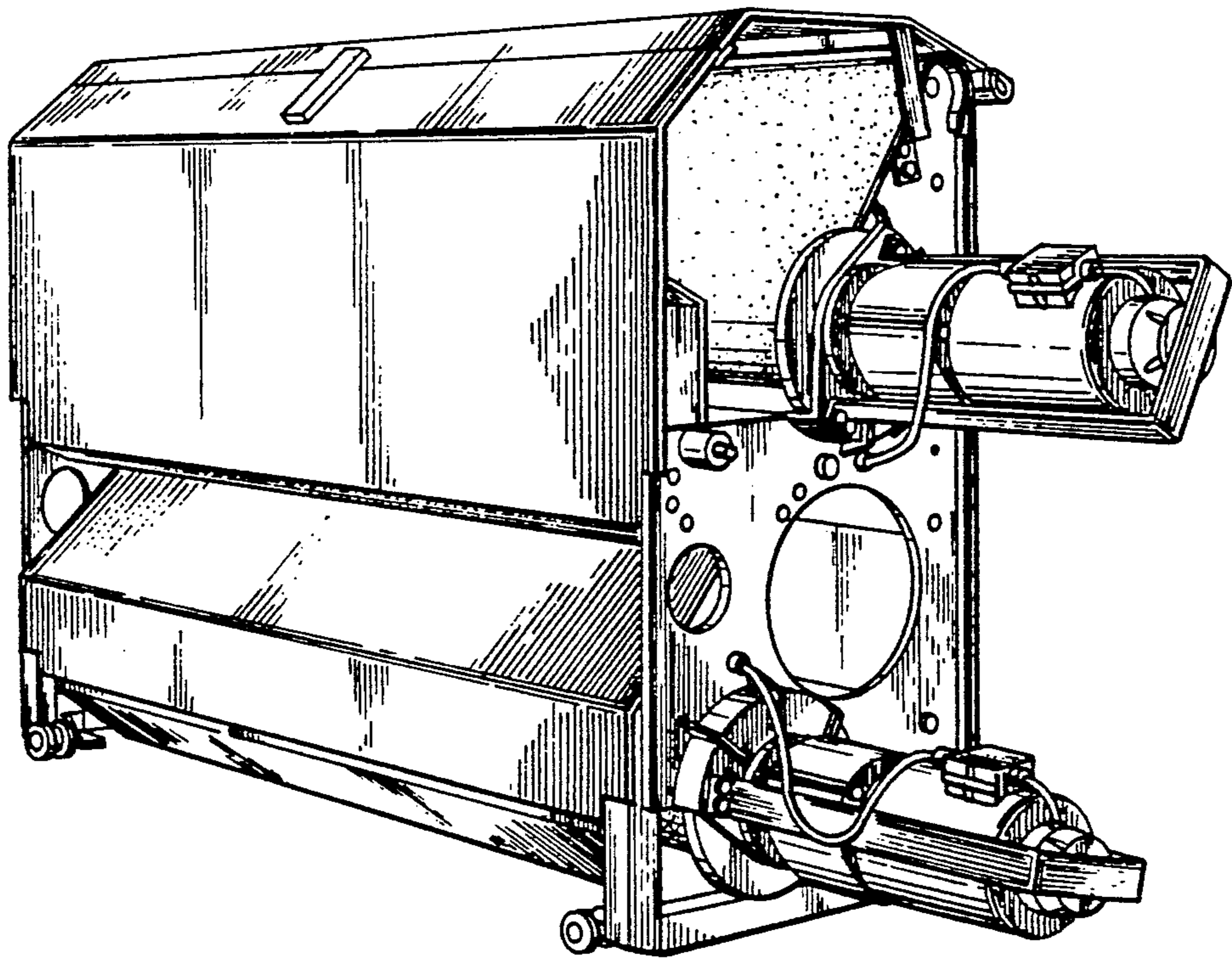


Fig. 3.