



US00D328611S

United States Patent [19]

[11] Patent Number: **Des. 328,611**

Longarzo

[45] Date of Patent: **** Aug. 11, 1992**

[54] **WRITING INSTRUMENT**

[75] Inventor: **Roland Longarzo, Nassau County, N.Y.**

[73] Assignee: **2C Co. Corp., New York, N.Y.**

[**] Term: **14 Years**

[21] Appl. No.: **505,535**

[22] Filed: **Apr. 6, 1990**

[52] U.S. Cl. **D19/49; D19/51; D19/56**

[58] Field of Search **D19/35, 36, 41-51, D19/54-58, 81-85; 401/99, 100, 103, 104, 198, 209, 261**

[56] **References Cited**

U.S. PATENT DOCUMENTS

D. 124,230	12/1940	Dreyfuss	D19/51
D. 160,436	10/1950	Seibert	D19/49
D. 173,918	1/1952	Vogel	D19/49
D. 178,924	10/1956	Kahn	D19/48
D. 201,231	5/1965	Jenkins	D19/49
D. 238,068	12/1975	Marynissen	D19/49 X
D. 252,998	9/1979	Turner	D19/49
D. 254,315	2/1980	Carre	D19/51
D. 258,219	2/1981	Oka	D19/49
D. 267,887	2/1983	Rigoni	D19/49

D. 312,837 12/1990 Oka D19/56 X

Primary Examiner—Donald P. Walsh
Assistant Examiner—Martha Thompson
Attorney, Agent, or Firm—Howard C. Miskin

[57] **CLAIM**

The ornamental design for a writing instrument, as shown and described.

DESCRIPTION

FIG. 1 is a front elevational view of a writing instrument showing my new design;
FIG. 2 is a right side elevational view, the left side being a mirror image thereof;
FIG. 3 is a rear elevational view thereof;
FIG. 4 is a top plan view thereof;
FIG. 5 is a bottom plan view thereof;
FIG. 6 is a front elevational view of a second embodiment of my new design;
FIG. 7 is a right side elevational view of FIG. 6, the left side being a mirror image thereof;
FIG. 8 is a rear elevational view of FIG. 6;
FIG. 9 is a top plan view of FIG. 6; and,
FIG. 10 is a bottom plan view of FIG. 6.
The views of FIGS. 4, 5, 9 and 10 have been drawn to an enlarged scale with respect to FIGS. 1 through 3 and 6 through 8.



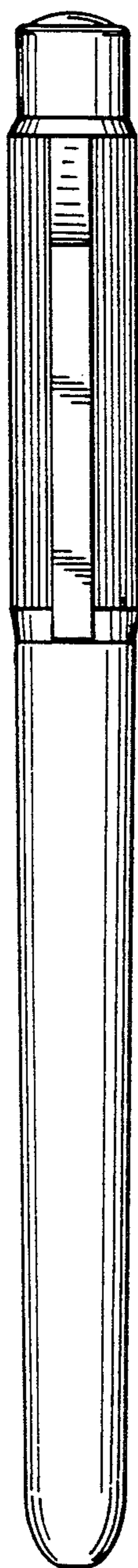


FIG. 1

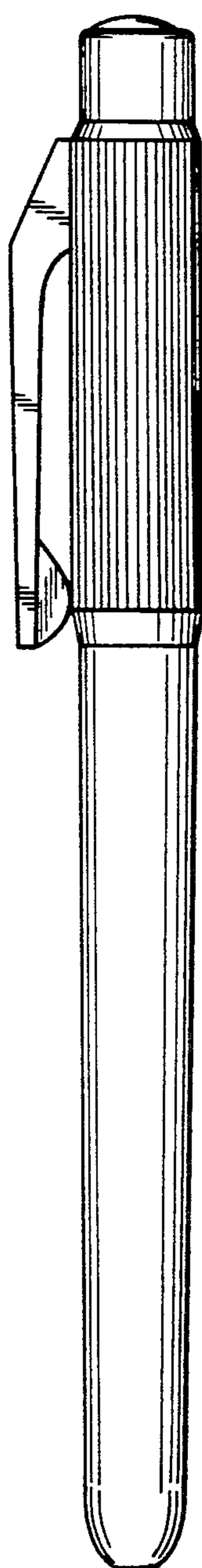


FIG. 2



FIG. 3

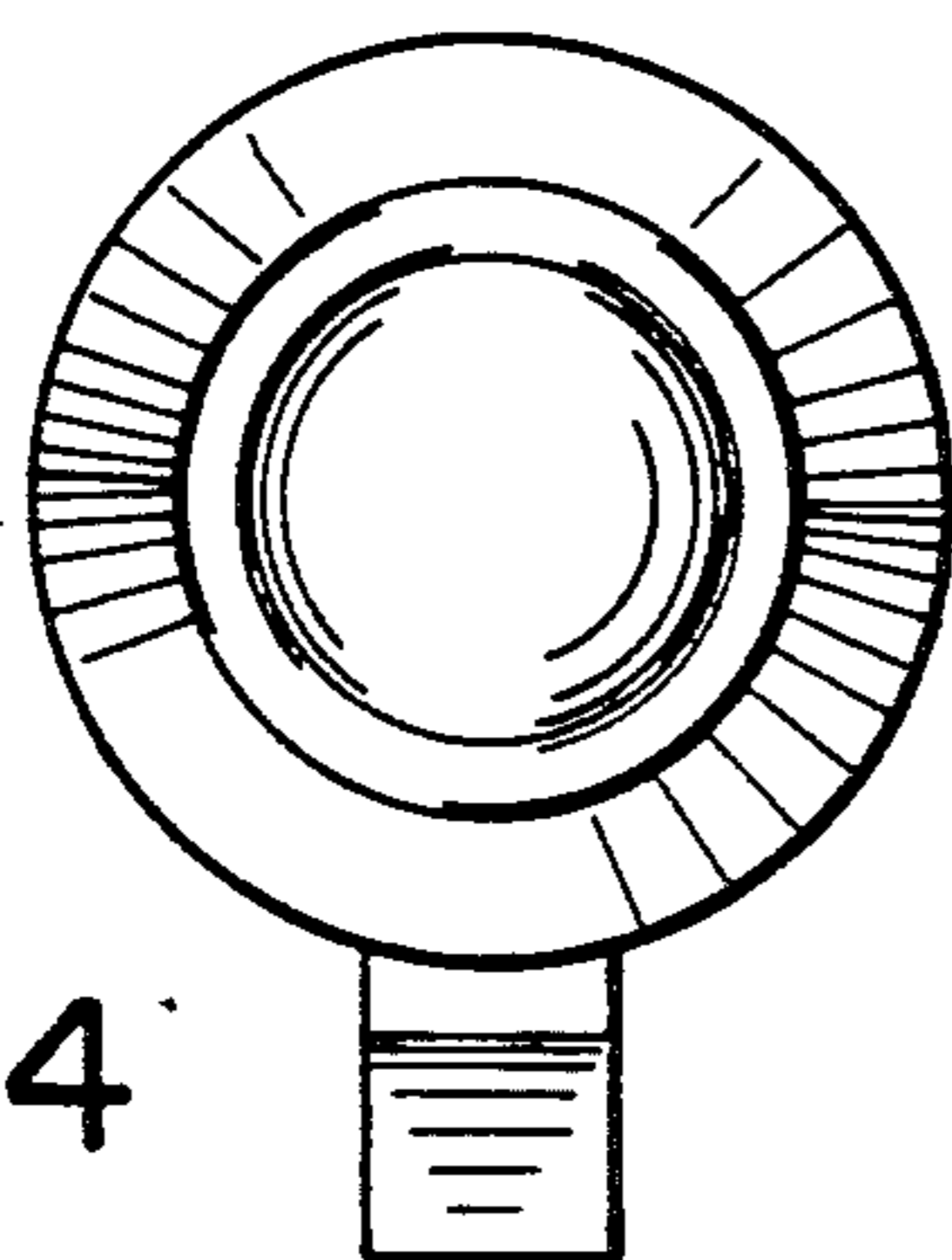


FIG. 4

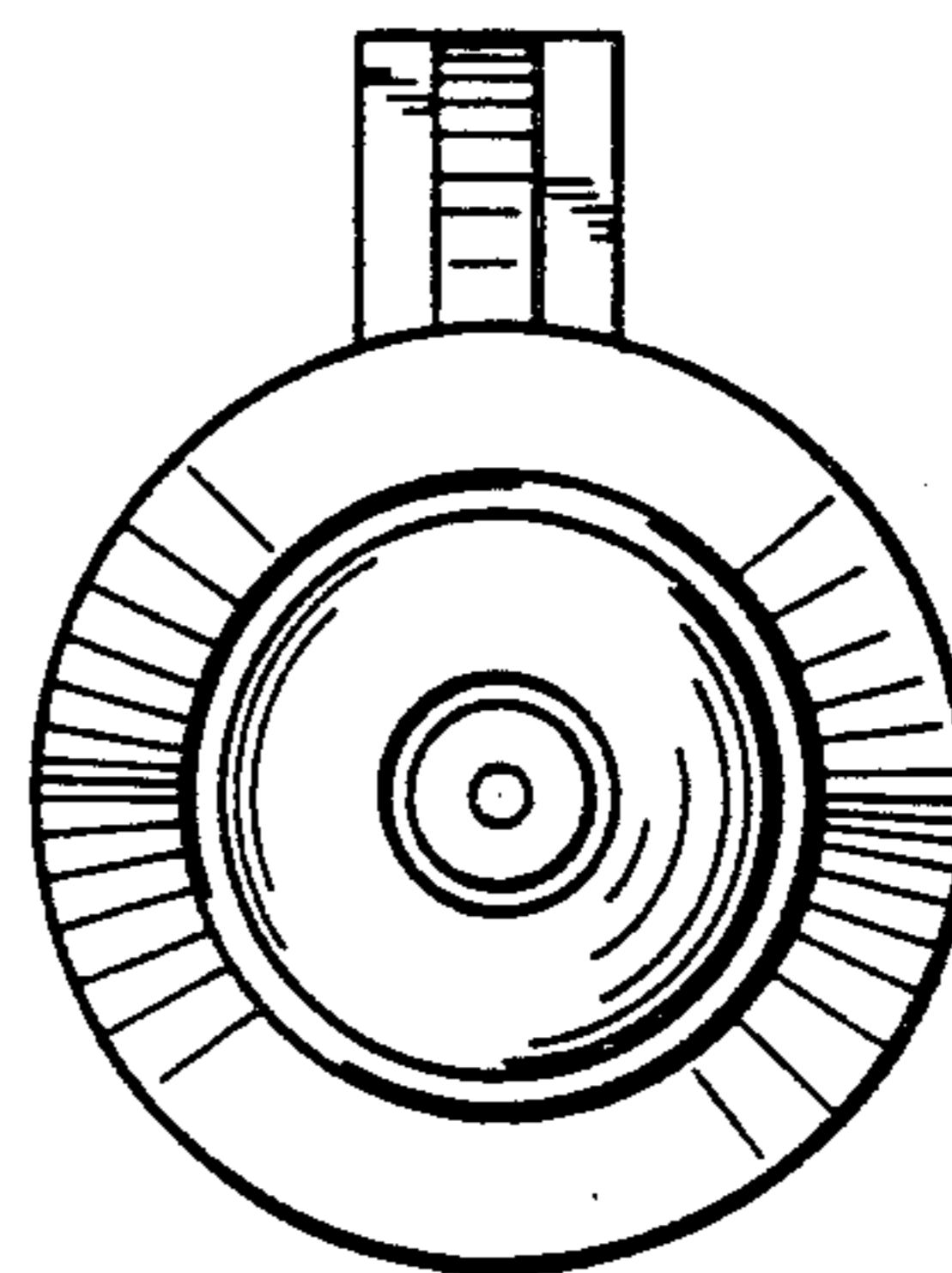


FIG. 5

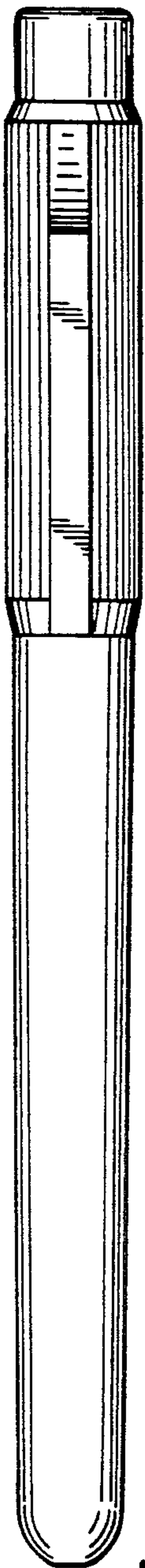


FIG. 6

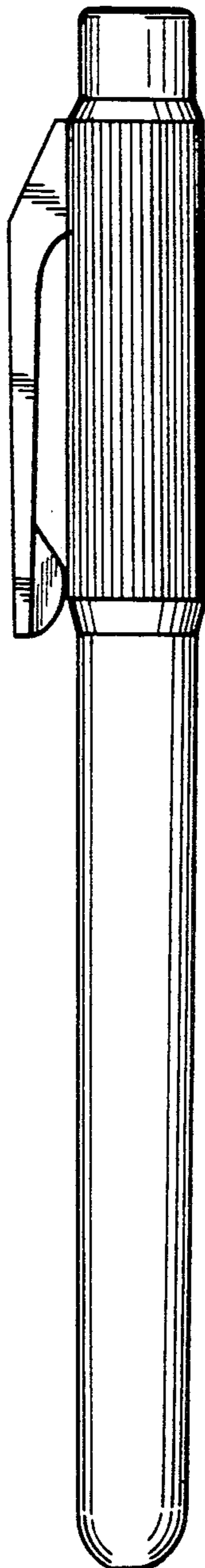


FIG. 7

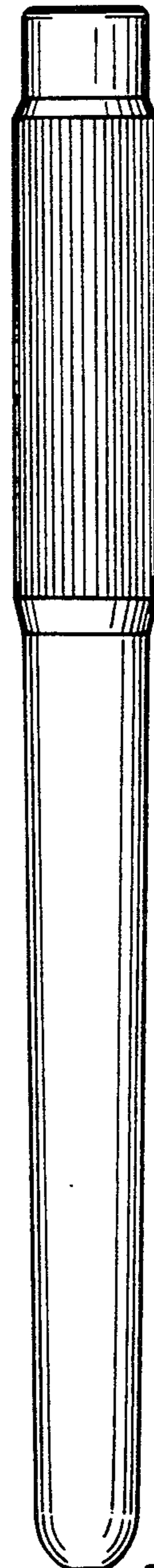


FIG. 8

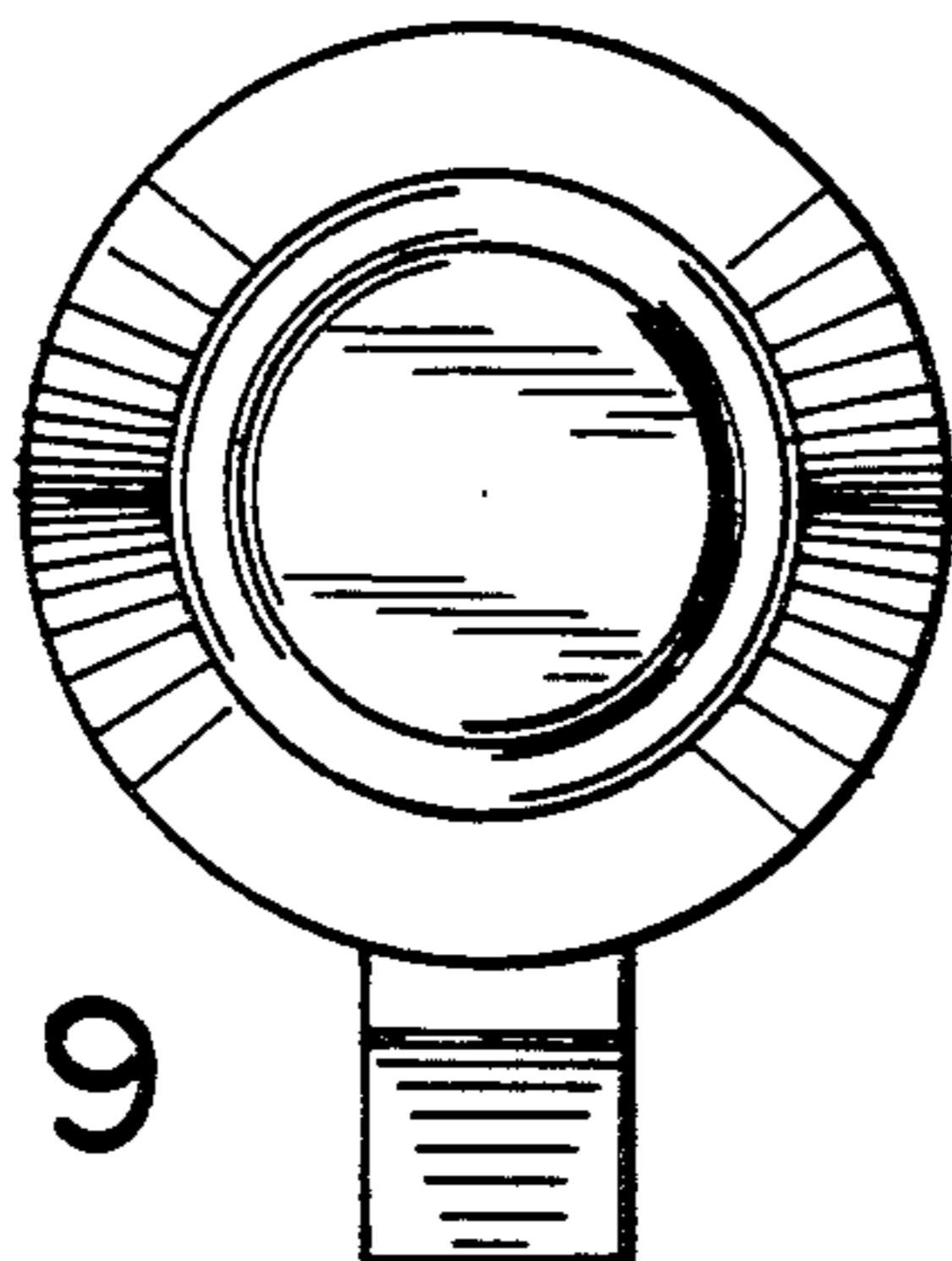


FIG. 9

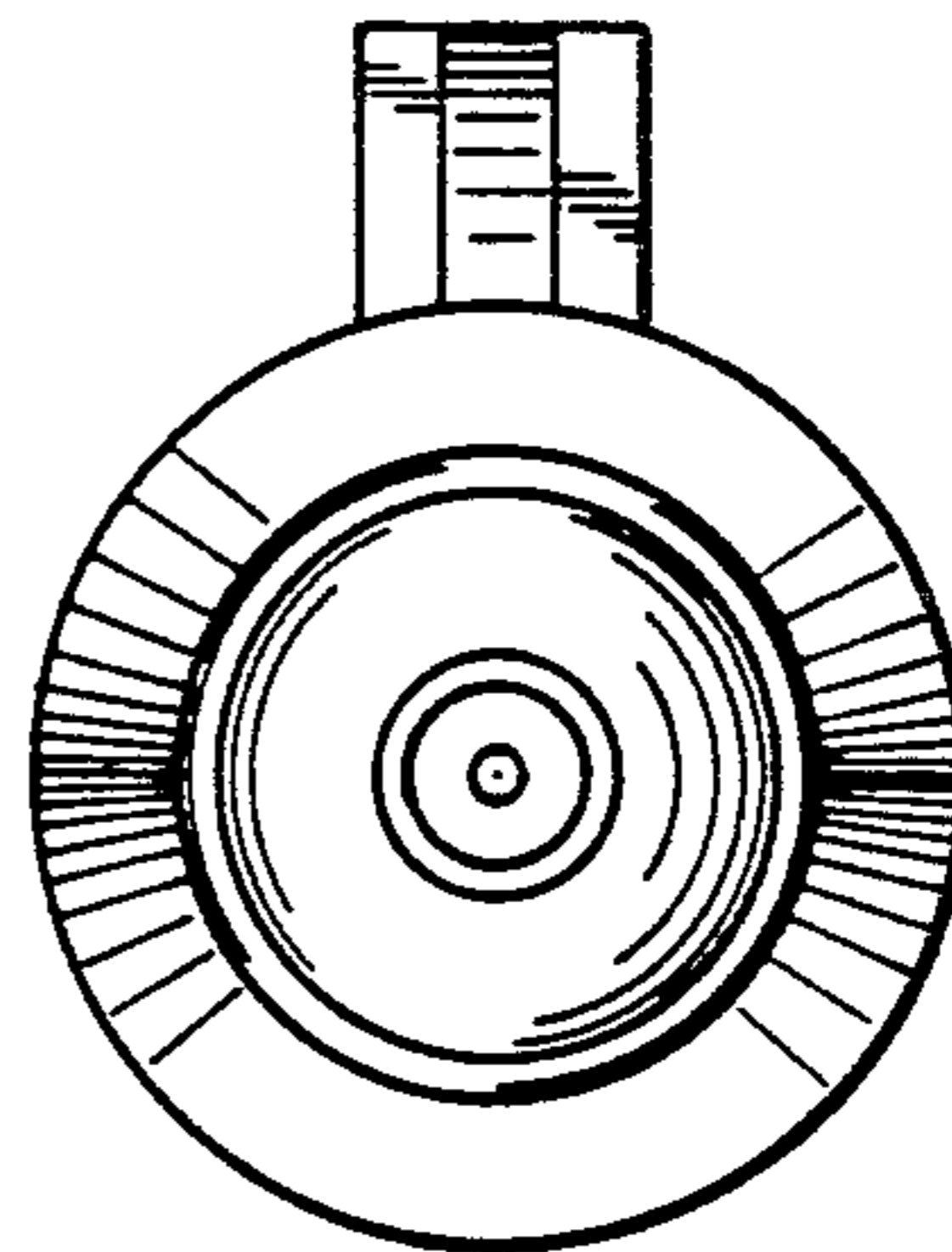


FIG. 10