



US00D328609S

# United States Patent [19]

[11] Patent Number: **Des. 328,609**

Isida

[45] Date of Patent: **\*\* Aug. 11, 1992**

[54] **ELECTRONIC COPYING MACHINE**

[56] **References Cited**

[75] Inventor: **Akira Isida, Tokyo, Japan**

### U.S. PATENT DOCUMENTS

[73] Assignee: **Ricoh Company, Ltd., Tokyo, Japan**

- D. 265,656 8/1982 Matsushima ..... D18/37
- D. 284,864 7/1986 Serikawa et al. .... D18/36
- D. 318,485 7/1991 Hikawa et al. .... D18/37
- D. 320,808 10/1991 Ishida ..... D18/37
- D. 321,005 10/1991 Hiroki ..... D18/36 X

[\*\*] Term: **14 Years**

*Primary Examiner*—Donald P. Walsh  
*Assistant Examiner*—Caron D. Veynar  
*Attorney, Agent, or Firm*—Oblon, Spivak, McClelland,  
 Maier & Neustadt

[21] Appl. No.: **515,263**

### [57] CLAIM

[22] Filed: **Apr. 27, 1990**

The ornamental design for electronic copying machine, as shown and described.

### [30] Foreign Application Priority Data

- Oct. 27, 1989 [JP] Japan ..... 1-039420
- [52] U.S. Cl. .... **D18/36; D18/39**
- [58] Field of Search ..... **D18/36-39;**  
**D14/111, 112, 116, 118; 355/200, 210, 231,**  
**233-236, 245, 326-328**

### DESCRIPTION

FIG. 1 is a left, front and top perspective view of an electronic copying machine showing my new design; and,  
 FIG. 2 is a right, rear and bottom perspective view thereof.

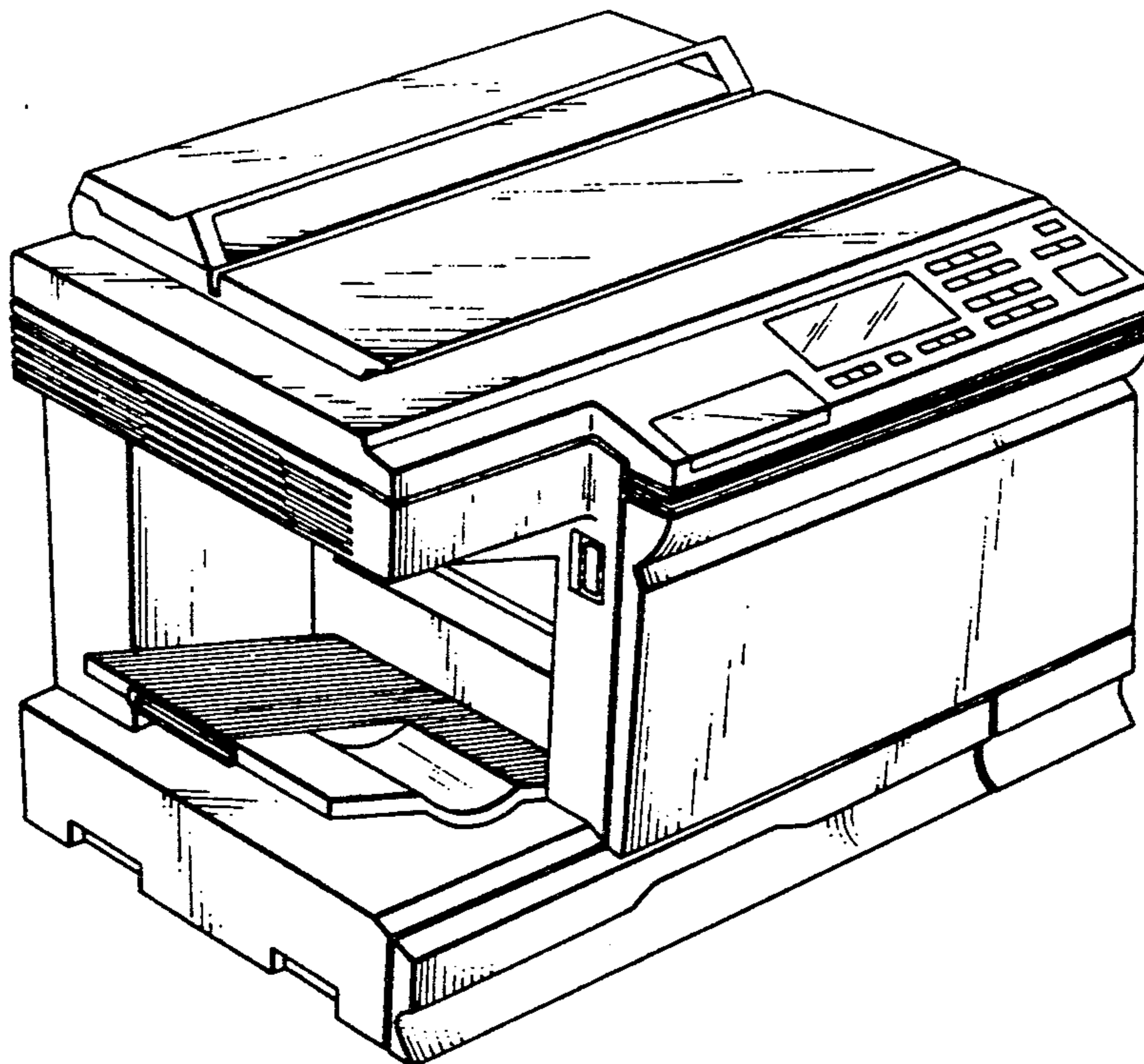


FIG. 1

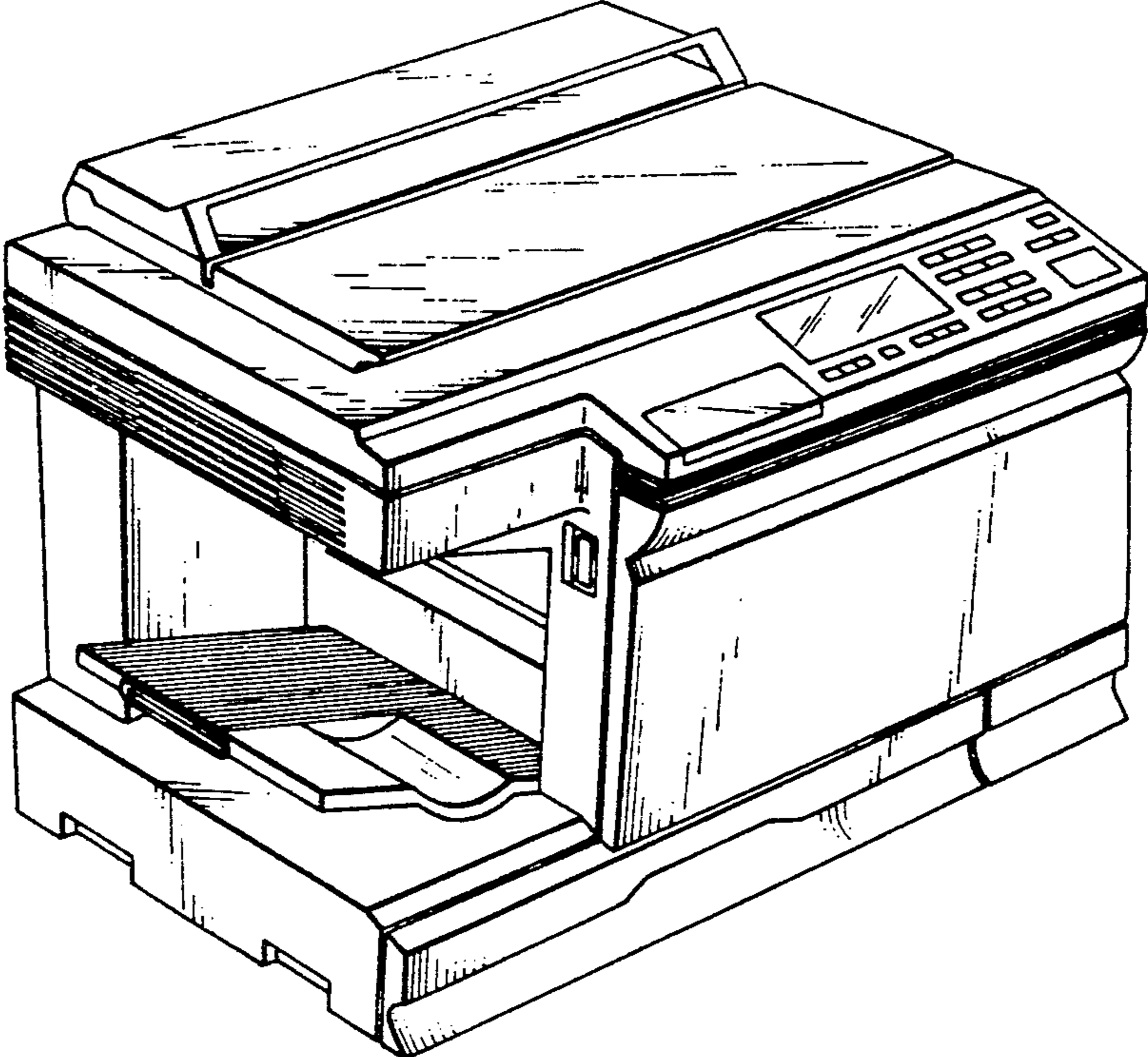


FIG. 2

