



US00D328606S

# United States Patent [19]

[11] Patent Number: Des. 328,606

Mendel et al.

[45] Date of Patent: \*\* Aug. 11, 1992

[54] ELECTRONIC TYPEWRITER

[57] CLAIM

[75] Inventors: Peter J. Mendel, Lexington, Ky.;  
Ronald A. Smith, Apex, N.C.; James  
P. Wang, Lexington, Ky.

The ornamental design for an electronic typewriter, as  
shown and described.

[73] Assignee: Lexmark International, Inc.,  
Greenwich, Conn.

### DESCRIPTION

[\*] Notice: The portion of the term of this patent  
subsequent to Dec. 10, 1999 has been  
disclaimed.

FIG. 1 is a top plan view of an electronic typewriter  
showing our new design;

[\*\*] Term: 14 Years

FIG. 2 is a top plan view of a second embodiment of  
FIG. 1;

[21] Appl. No.: 783,710

FIG. 3 is a top plan view of a third embodiment of FIG.  
1;

[22] Filed: Oct. 24, 1991

FIG. 4 is a top plan view of a fourth embodiment of  
FIG. 1;

### Related U.S. Application Data

[63] Continuation of Ser. No. 136,159, Dec. 21, 1987, aban-  
doned.

FIG. 5 is a top plan view of a fifth embodiment of FIG.  
1;

[52] U.S. Cl. .... D18/1; D18/2

FIG. 6 is a front elevational view of FIG. 1;

[58] Field of Search ..... D18/1, 2, 11;  
400/109-111, 472, 485, 486, 691-694

FIG. 7 is a front elevational view of FIG. 2;

FIG. 8 is a front elevational view of FIG. 3;

FIG. 9 is a front elevational view of FIG. 4;

FIG. 10 is a front elevational view of FIG. 5;

FIG. 11 is a rear elevational view of FIGS. 1, 4 and 5;

FIG. 12 is a rear elevational view of FIG. 2;

FIG. 13 is a rear elevational view of FIG. 3;

FIG. 14 is a left side elevational view of FIGS. 1, 3, 4  
and 5;

FIG. 15 is a right side elevational view of FIGS. 1, 3, 4  
and 5;

FIG. 16 is a left side elevational view of FIG. 2;

FIG. 17 is a right side elevational view of FIG. 2;

FIG. 18 is a bottom plan view of FIGS. 1-5;

FIG. 19 is a right, front and top perspective view of  
FIG. 1;

FIG. 20 is a right, front and top perspective view of  
FIG. 2;

FIG. 21 is a right, front and top perspective view of  
FIG. 3;

FIG. 22 is a right, front and top perspective view of  
FIG. 4; and,

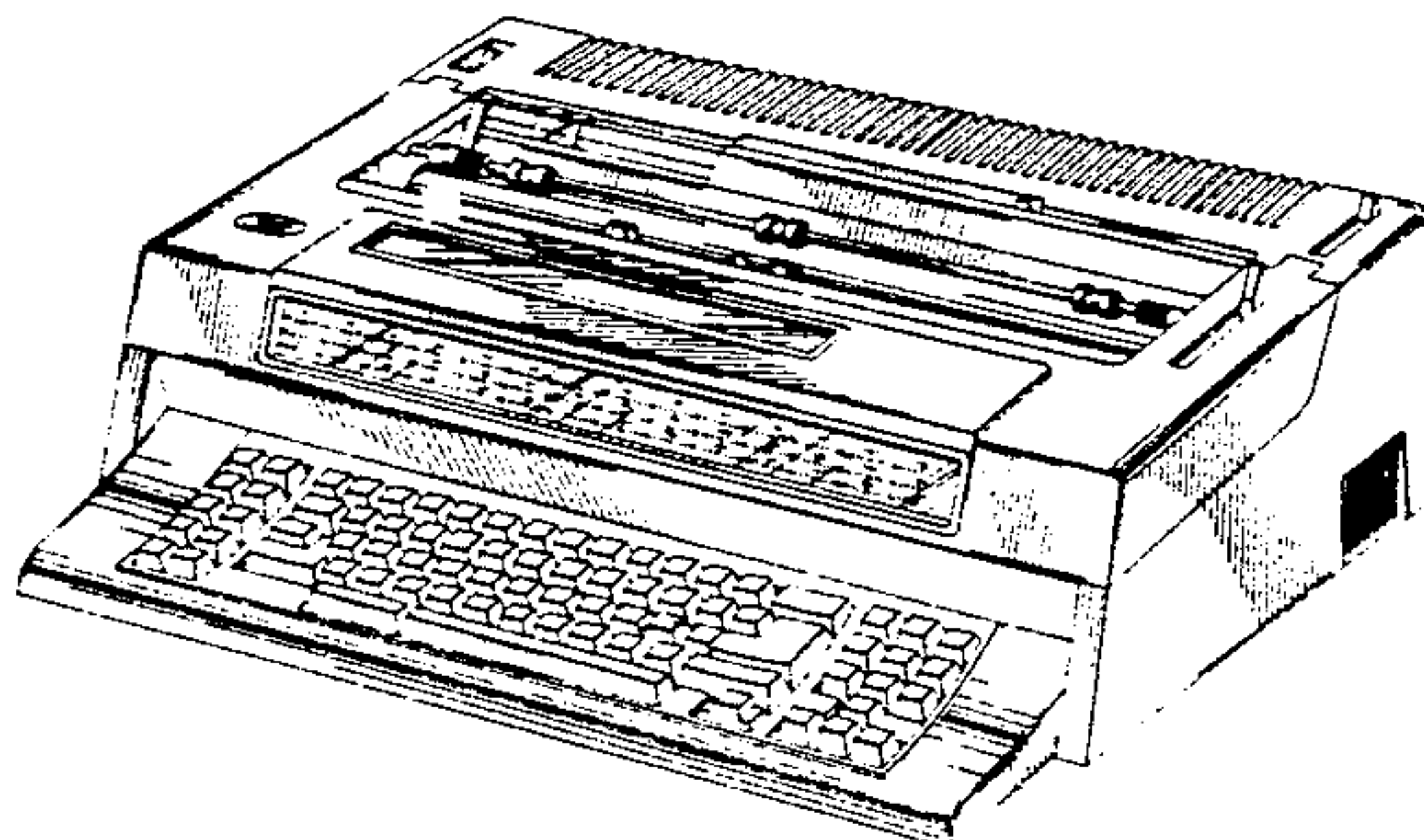
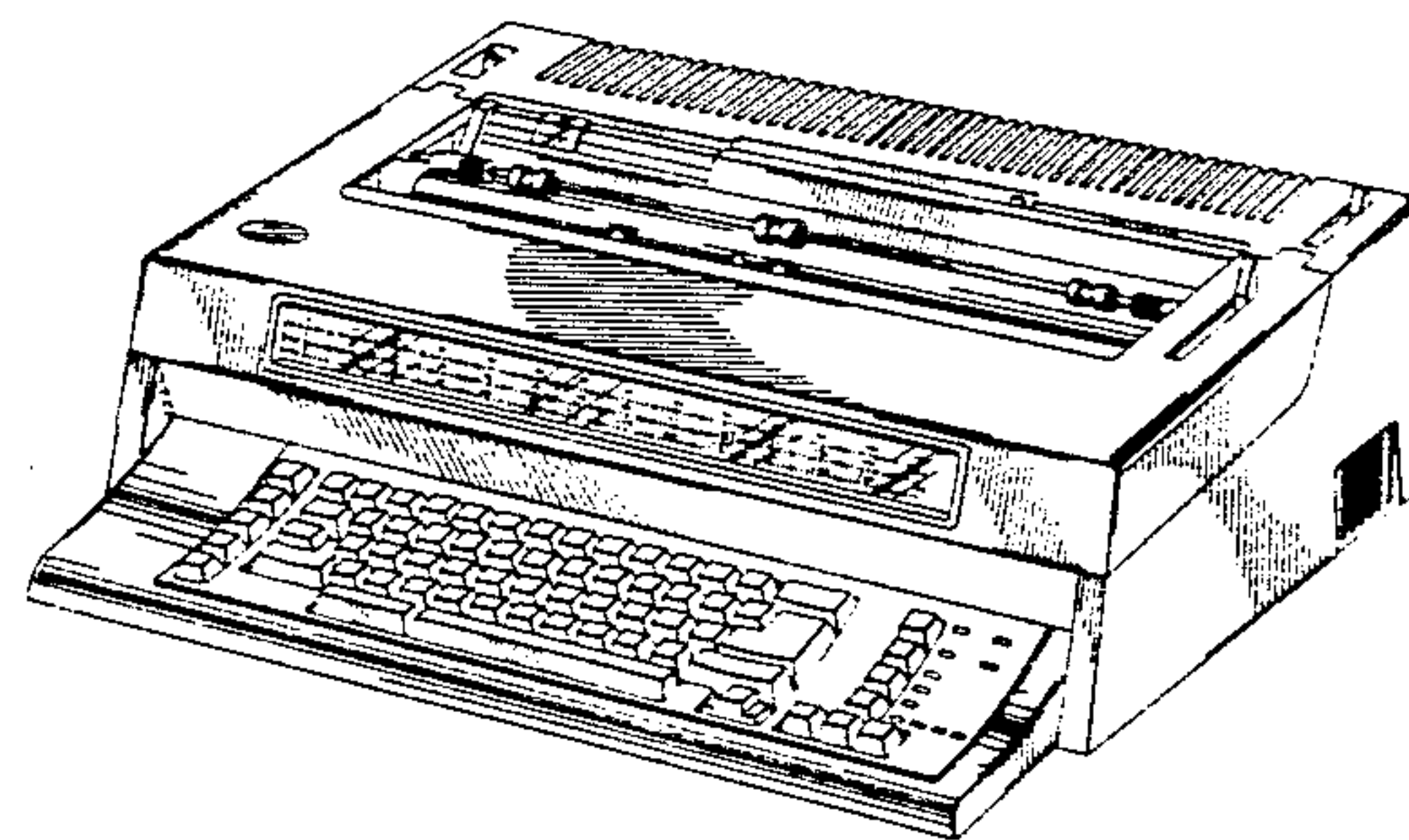
FIG. 23 is a right, front and top perspective view of  
FIG. 5.

### [56] References Cited

#### U.S. PATENT DOCUMENTS

D. 241,774	10/1976	Clowe	.....	D14/106 X
D. 270,070	8/1983	Claxton et al.	.....	D18/1
D. 281,701	12/1985	Wang	.....	D18/1
D. 284,671	7/1986	Mendel	.....	D18/1
D. 291,092	7/1987	Egli	.....	D18/1
D. 294,596	3/1988	Gubbe et al.	.....	D18/1
D. 300,434	3/1989	Tamada et al.	.....	D18/1

Primary Examiner—Donald P. Walsh  
Assistant Examiner—Caron D. Veynar  
Attorney, Agent, or Firm—John J. McArdle, Jr.



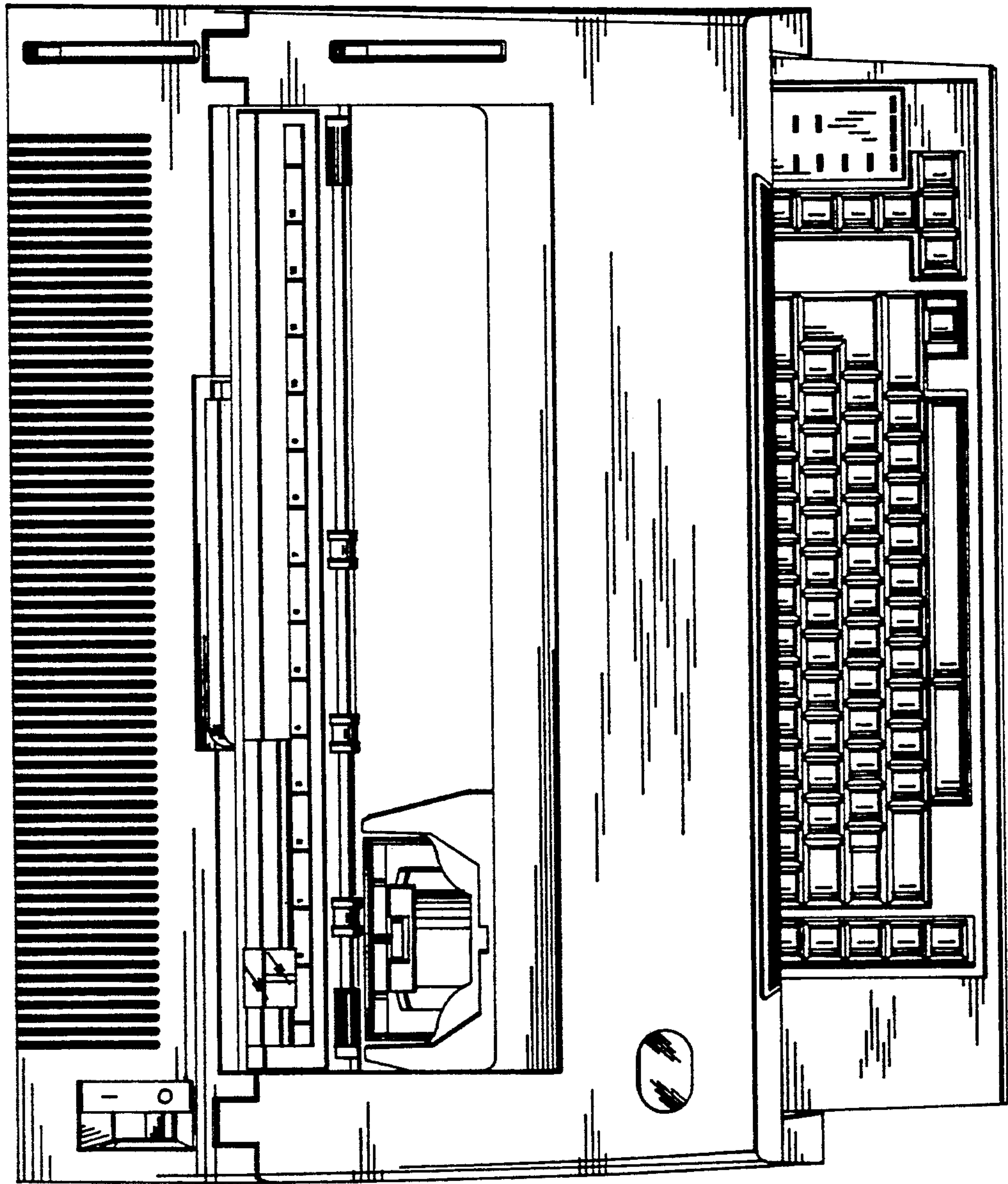


FIG. 1



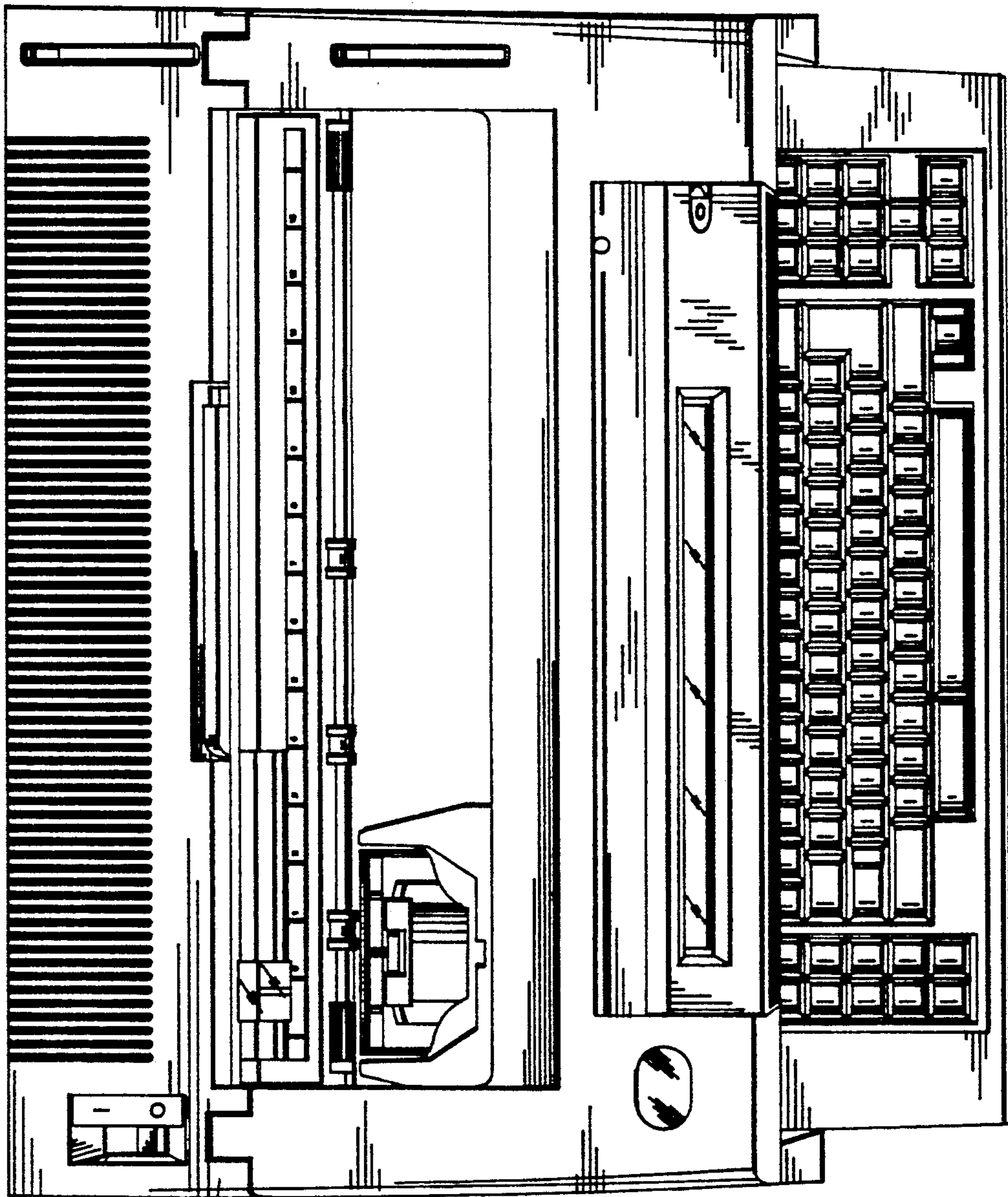


FIG. 2

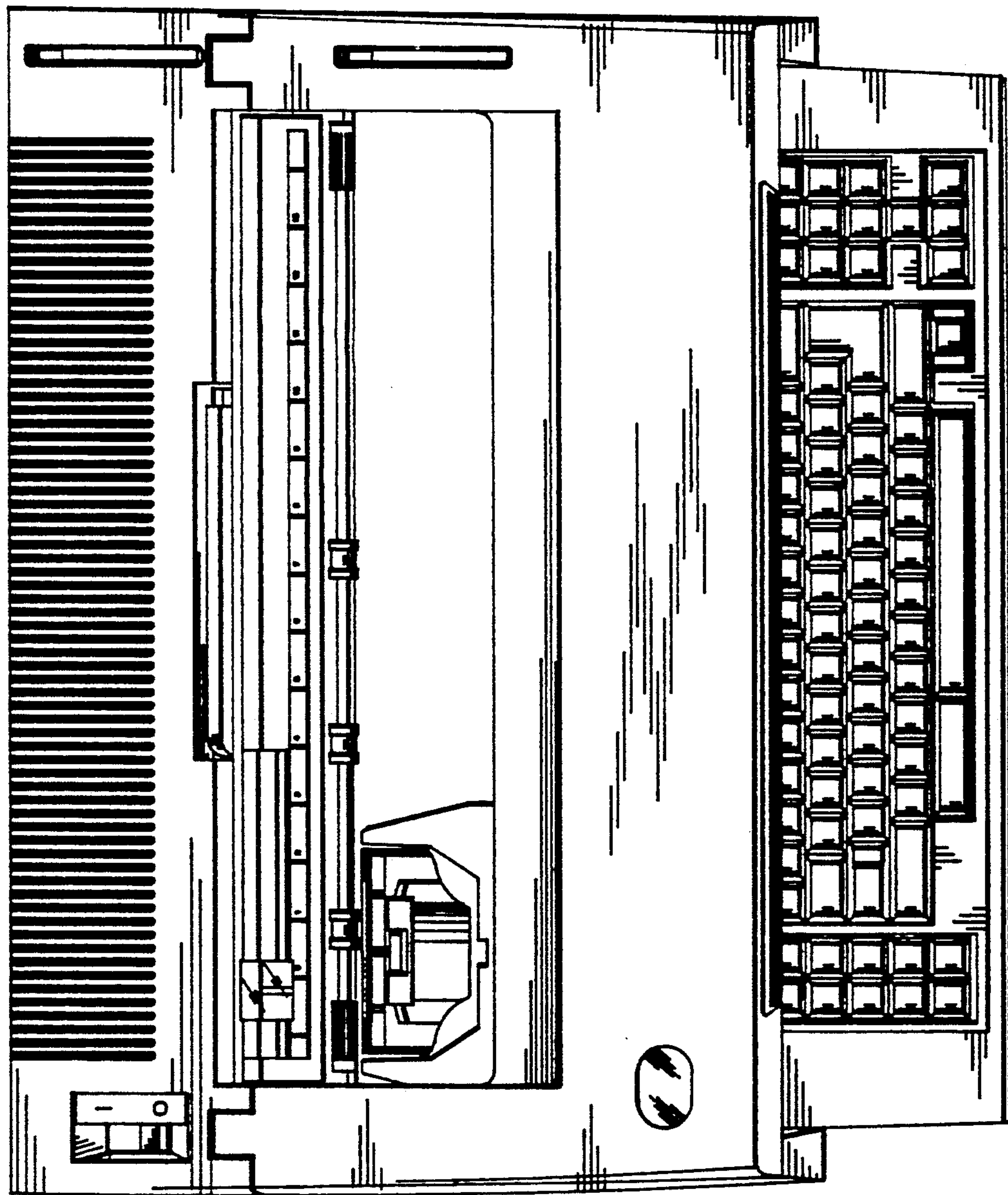


FIG. 3

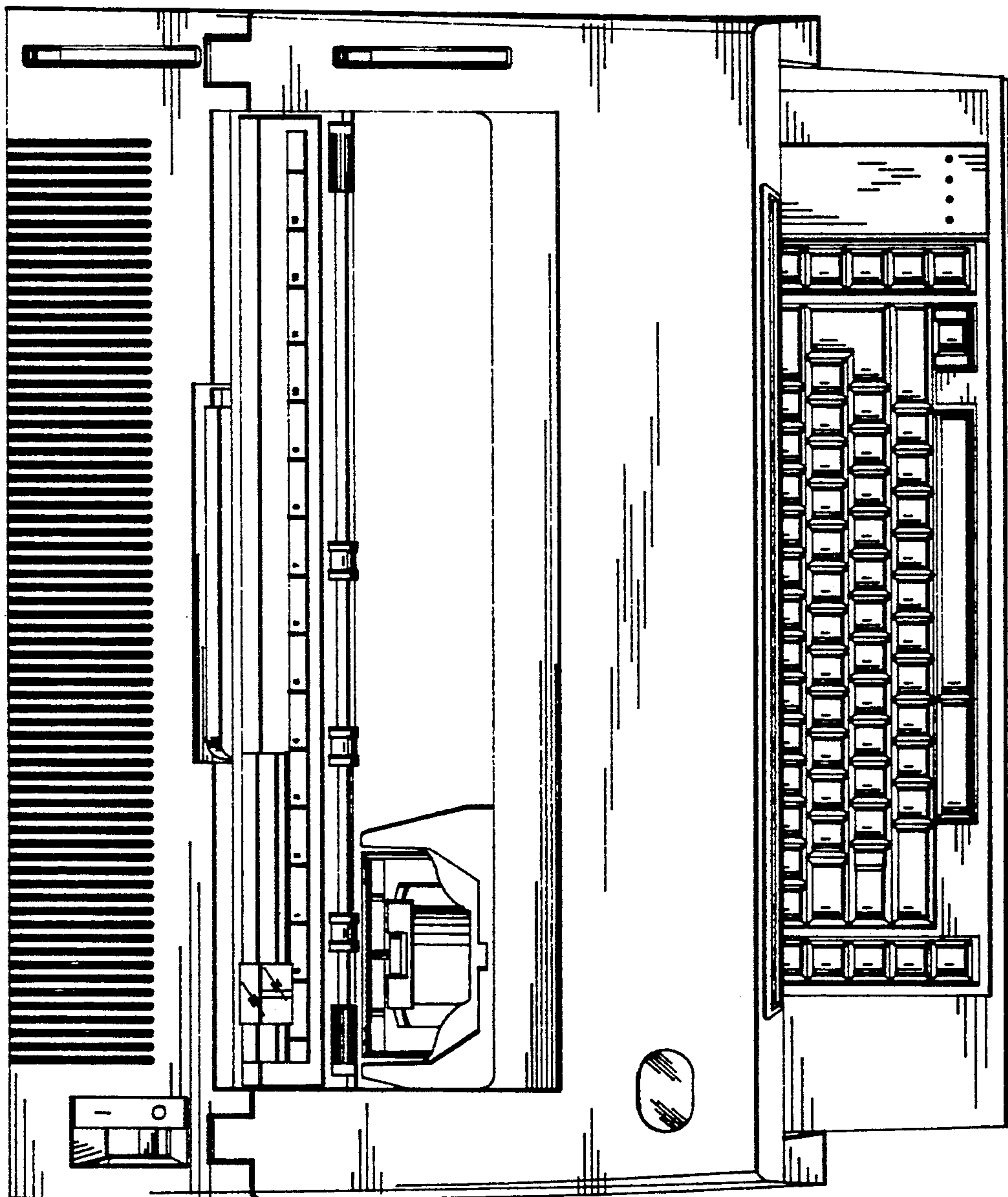


FIG. 4



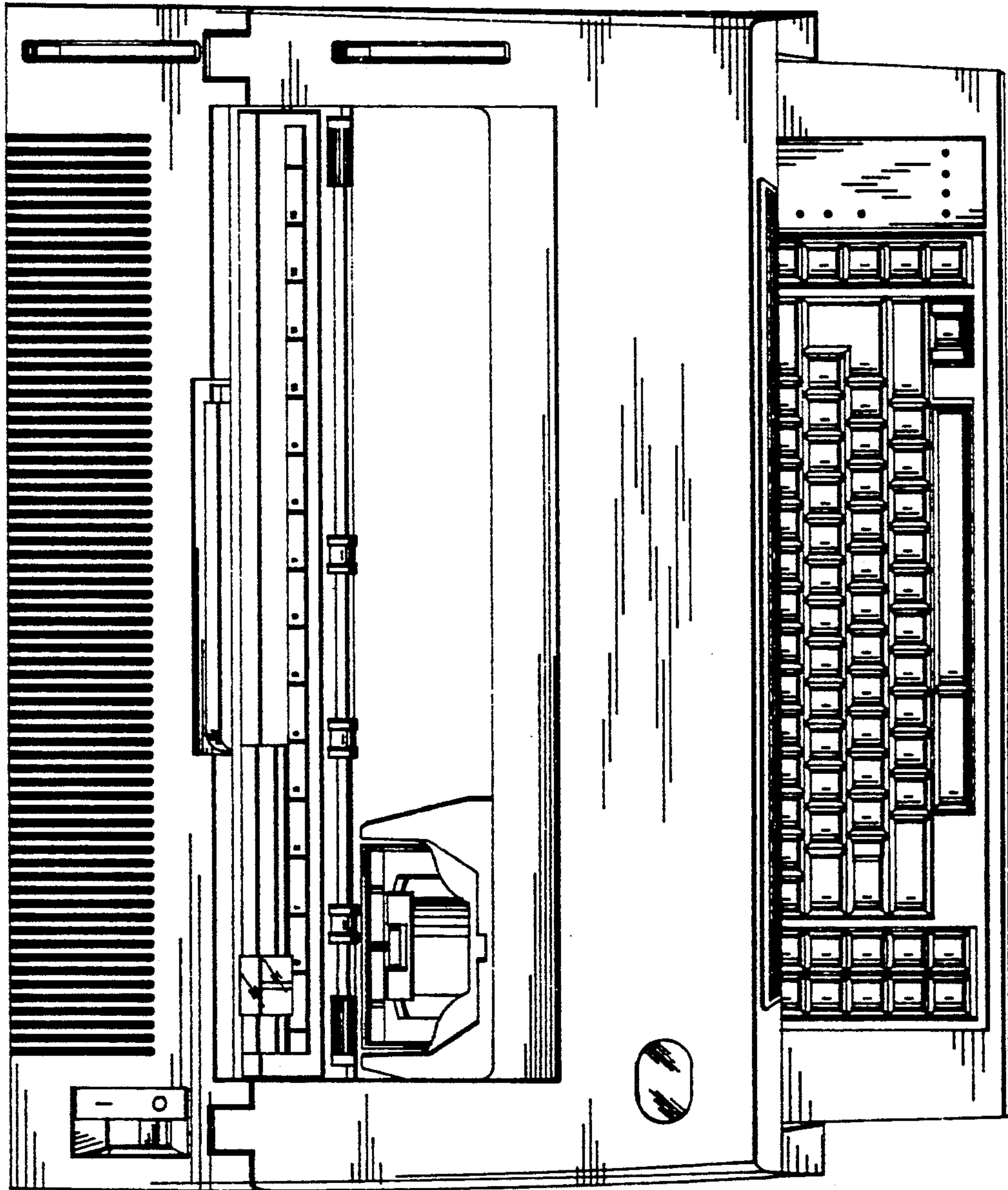


FIG. 5

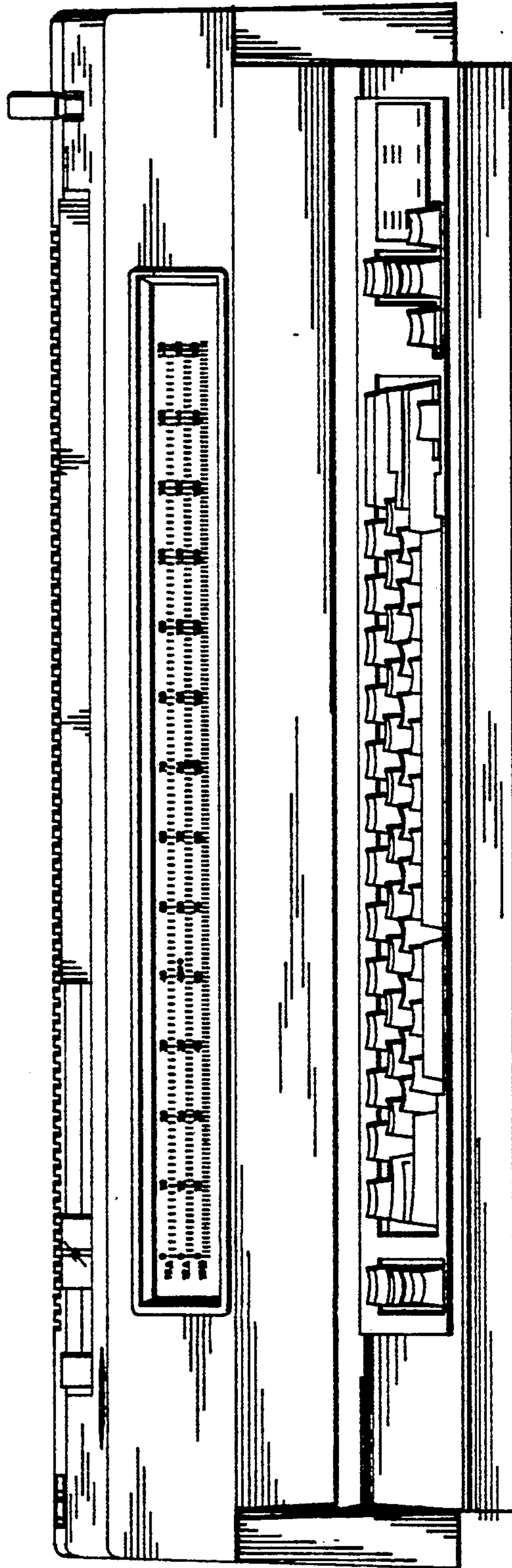


FIG. 6

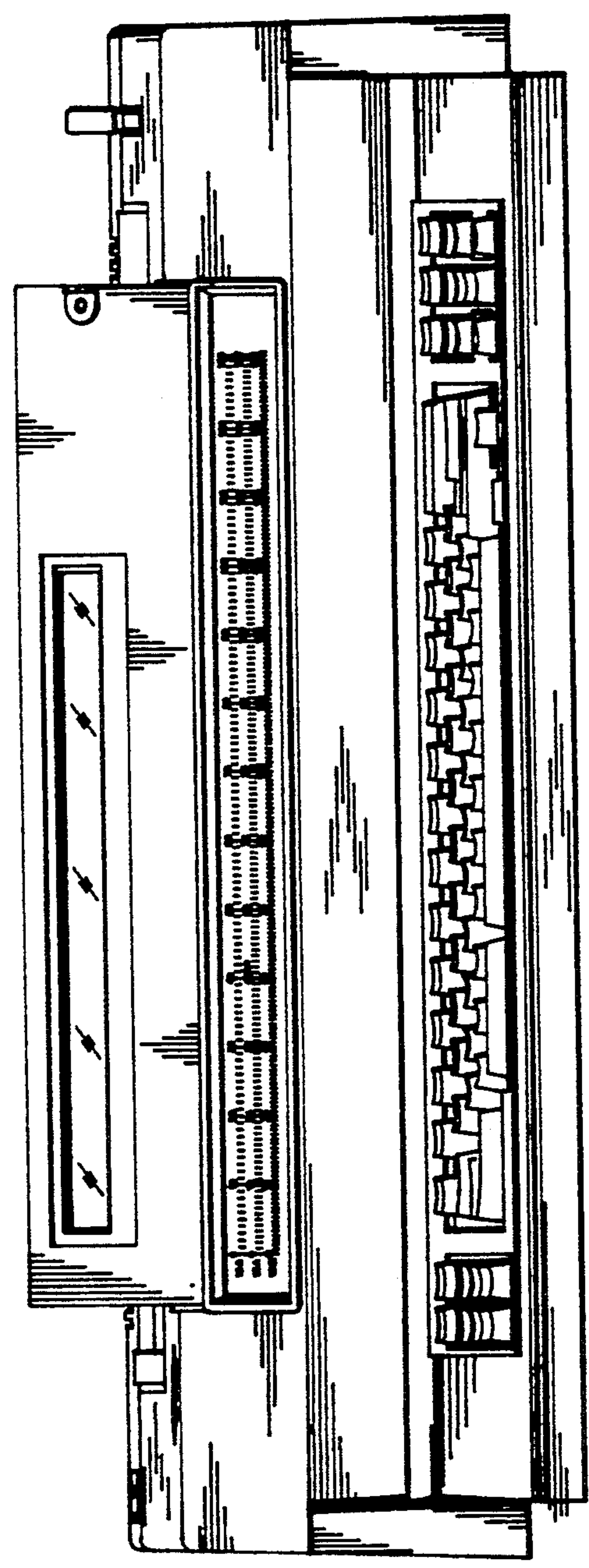


FIG. 7



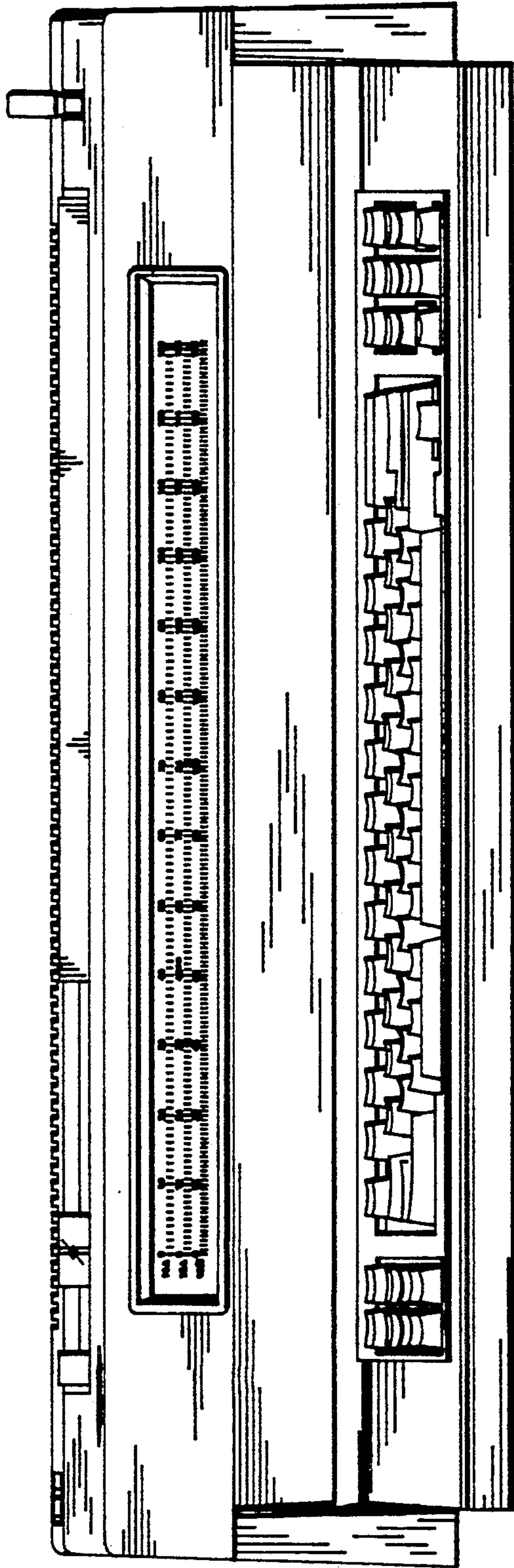


FIG. 8

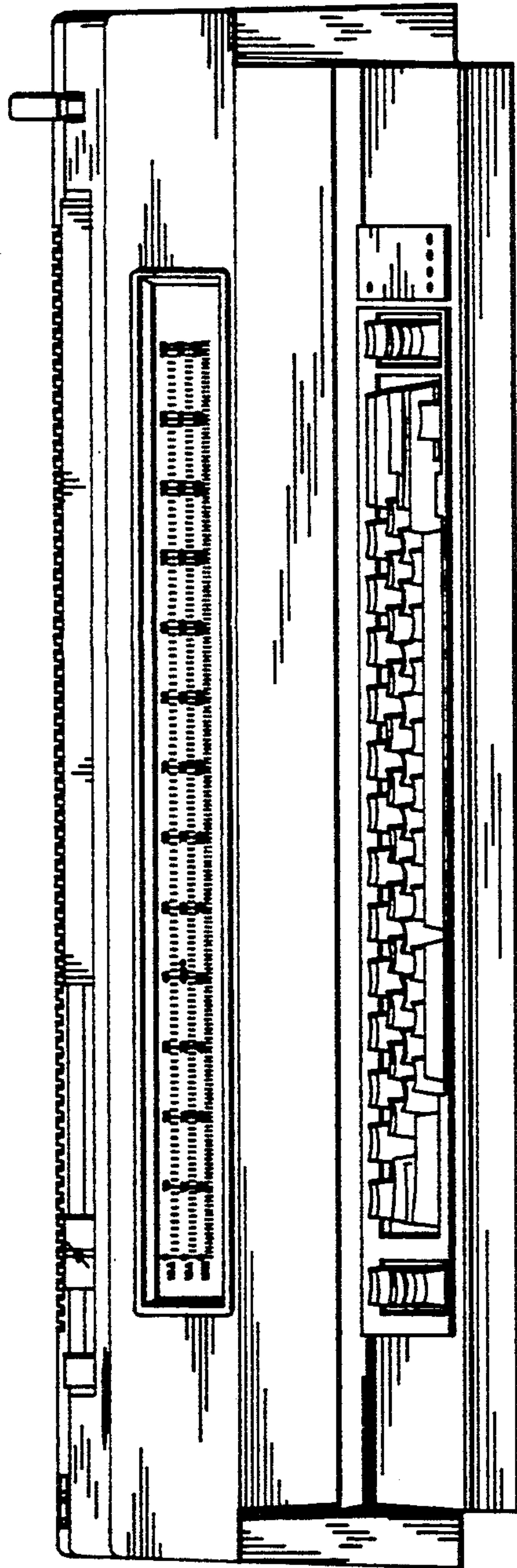


FIG. 9

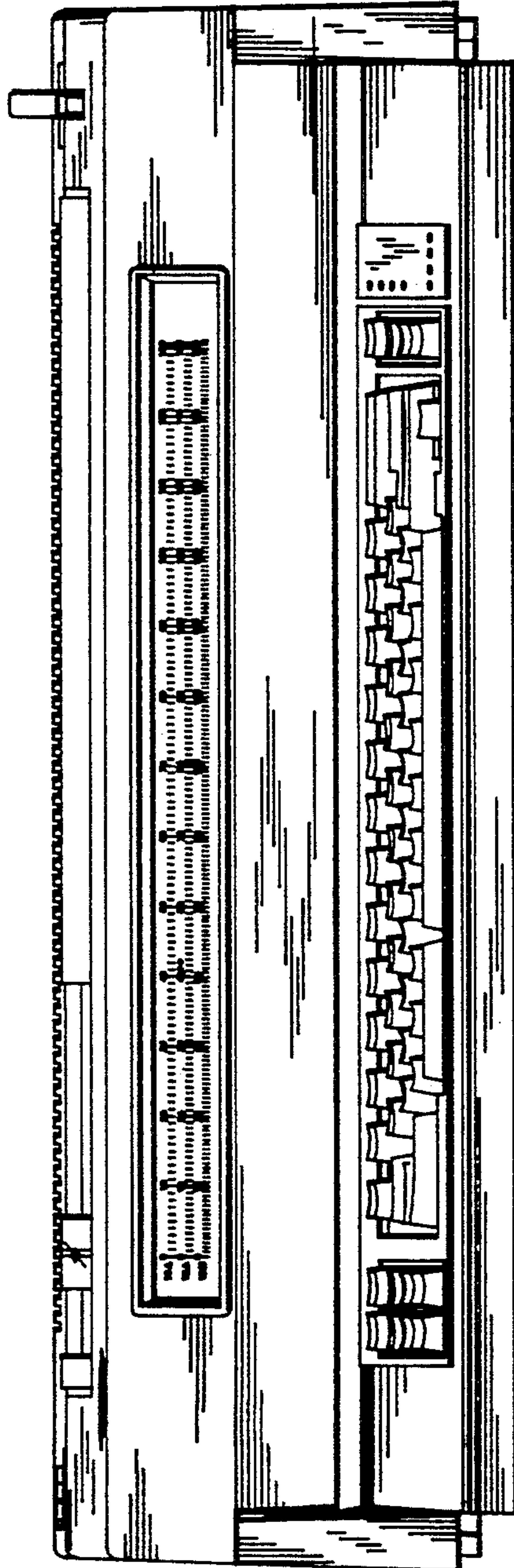


FIG. 10



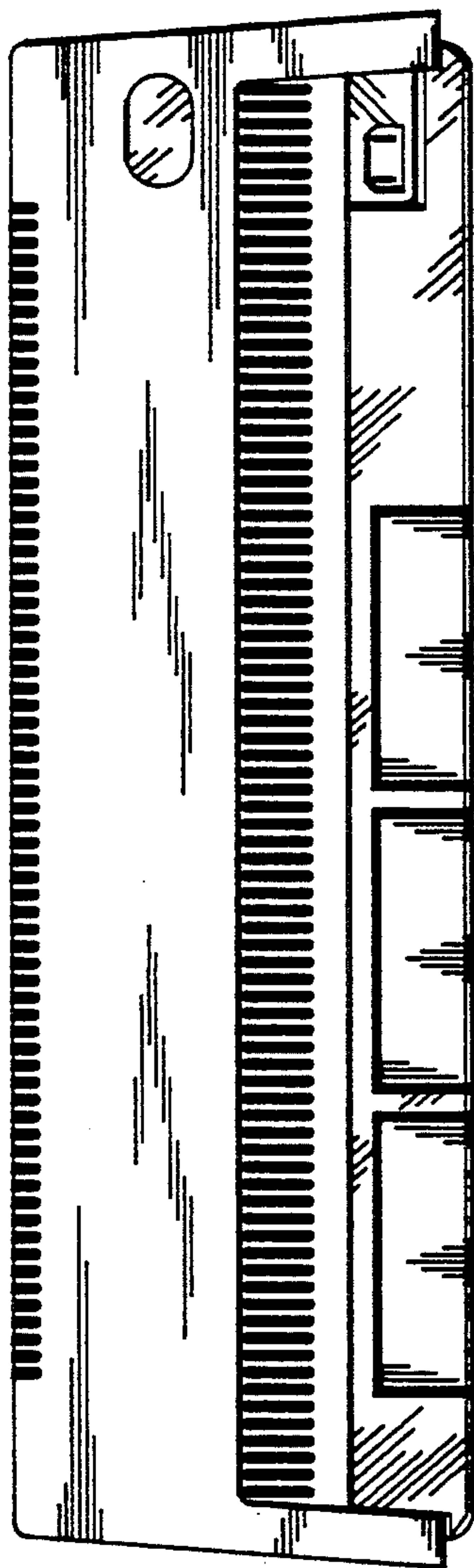


FIG. 11



FIG. 12

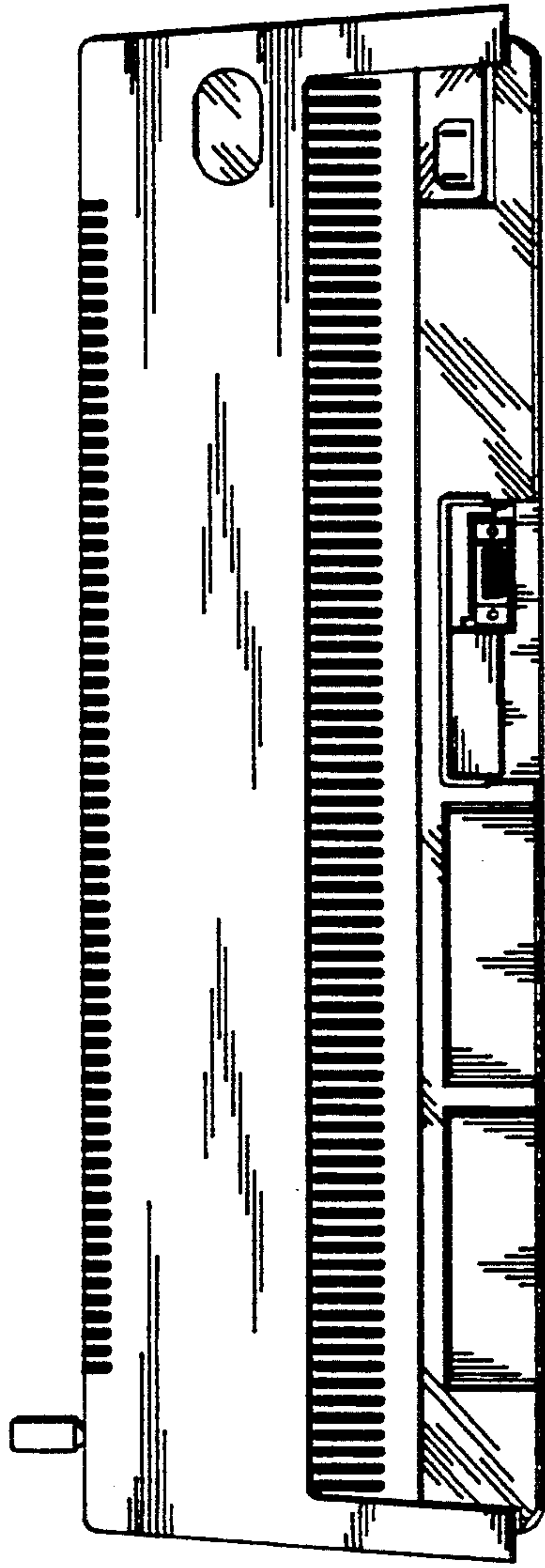


FIG. 13



FIG. 14

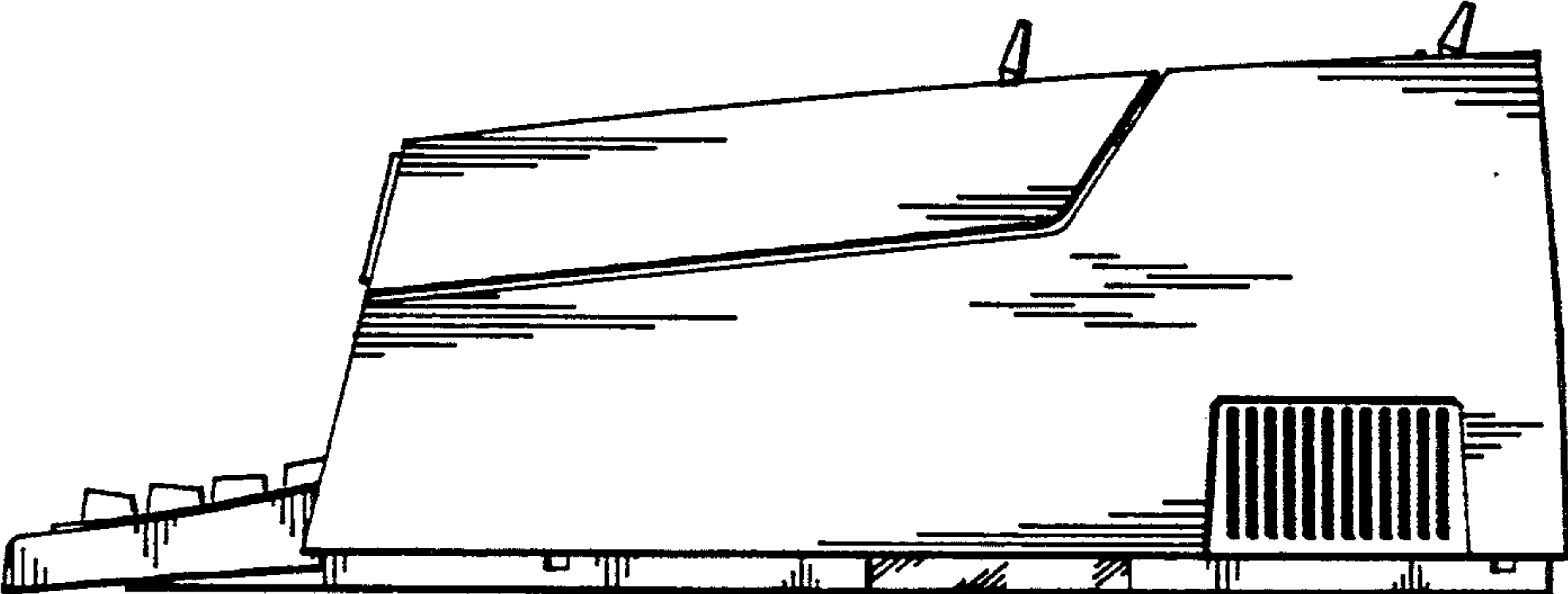


FIG. 15

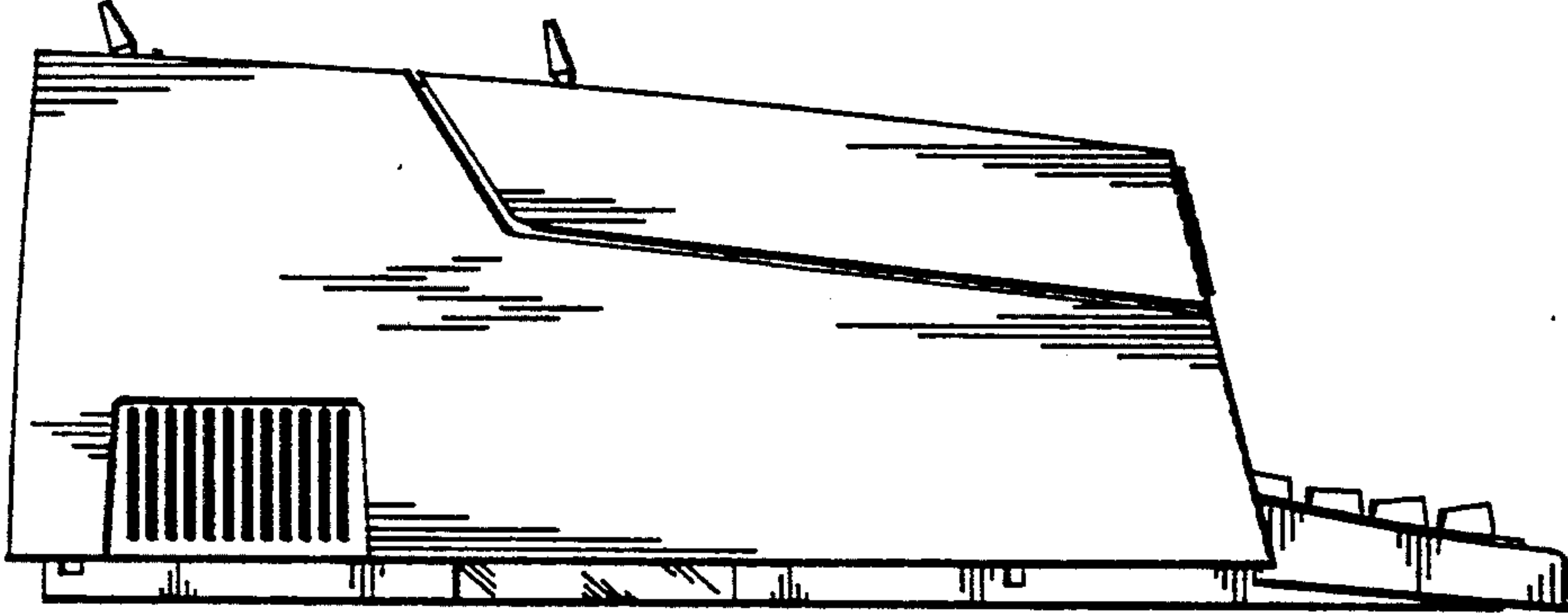


FIG. 17

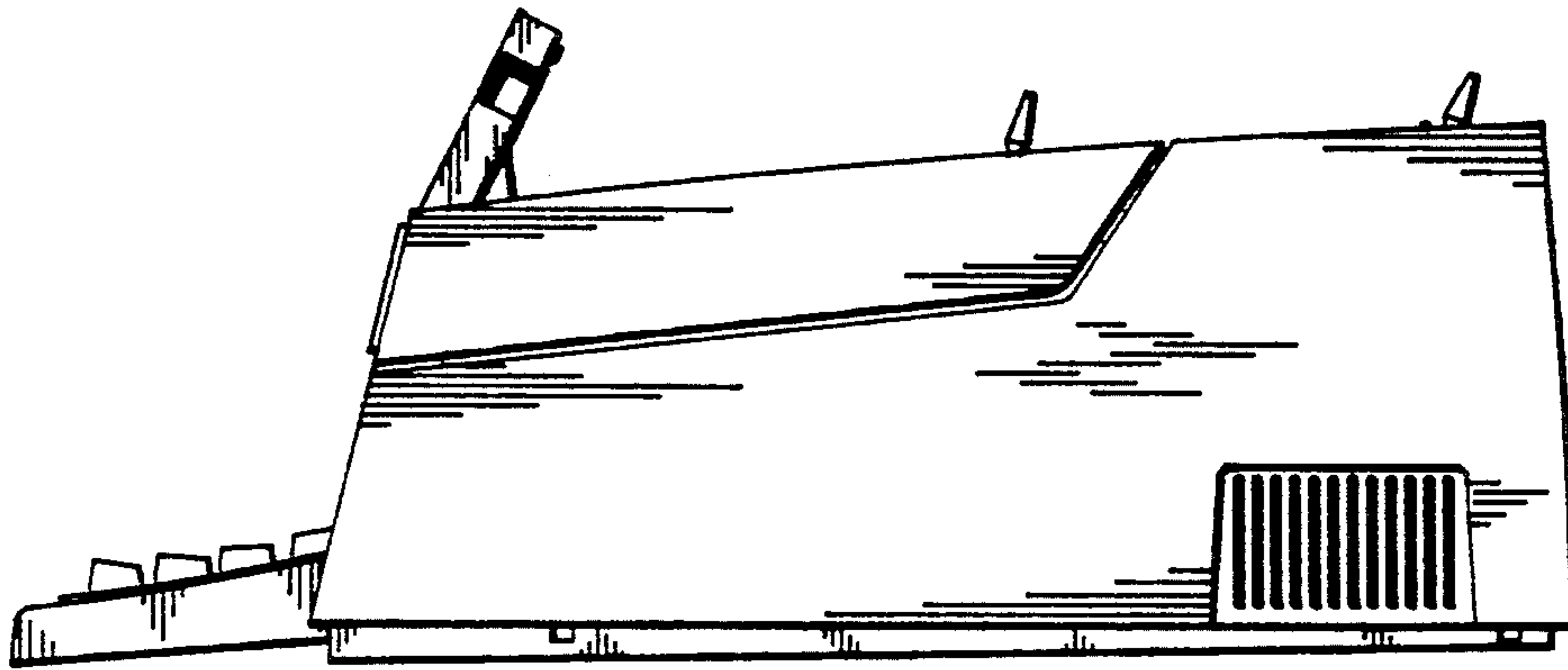
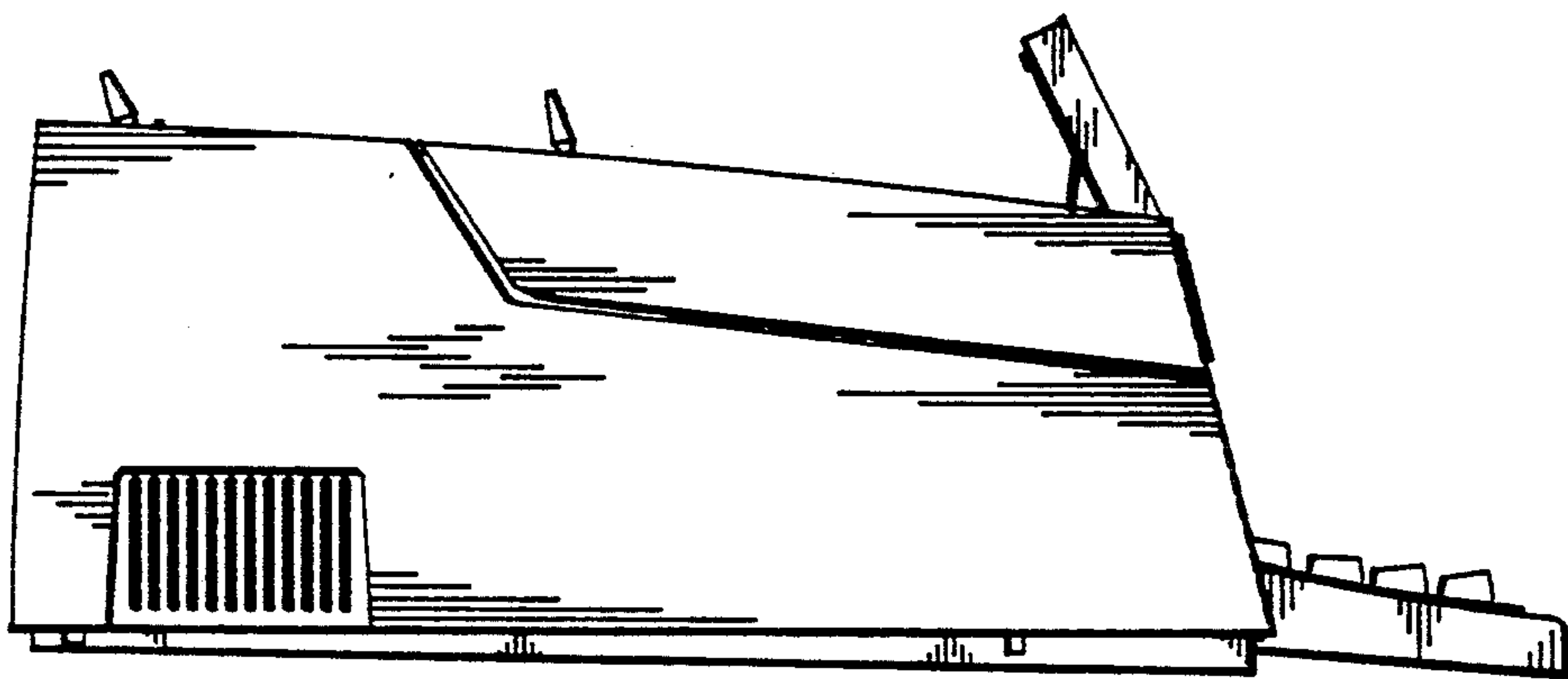


FIG. 16



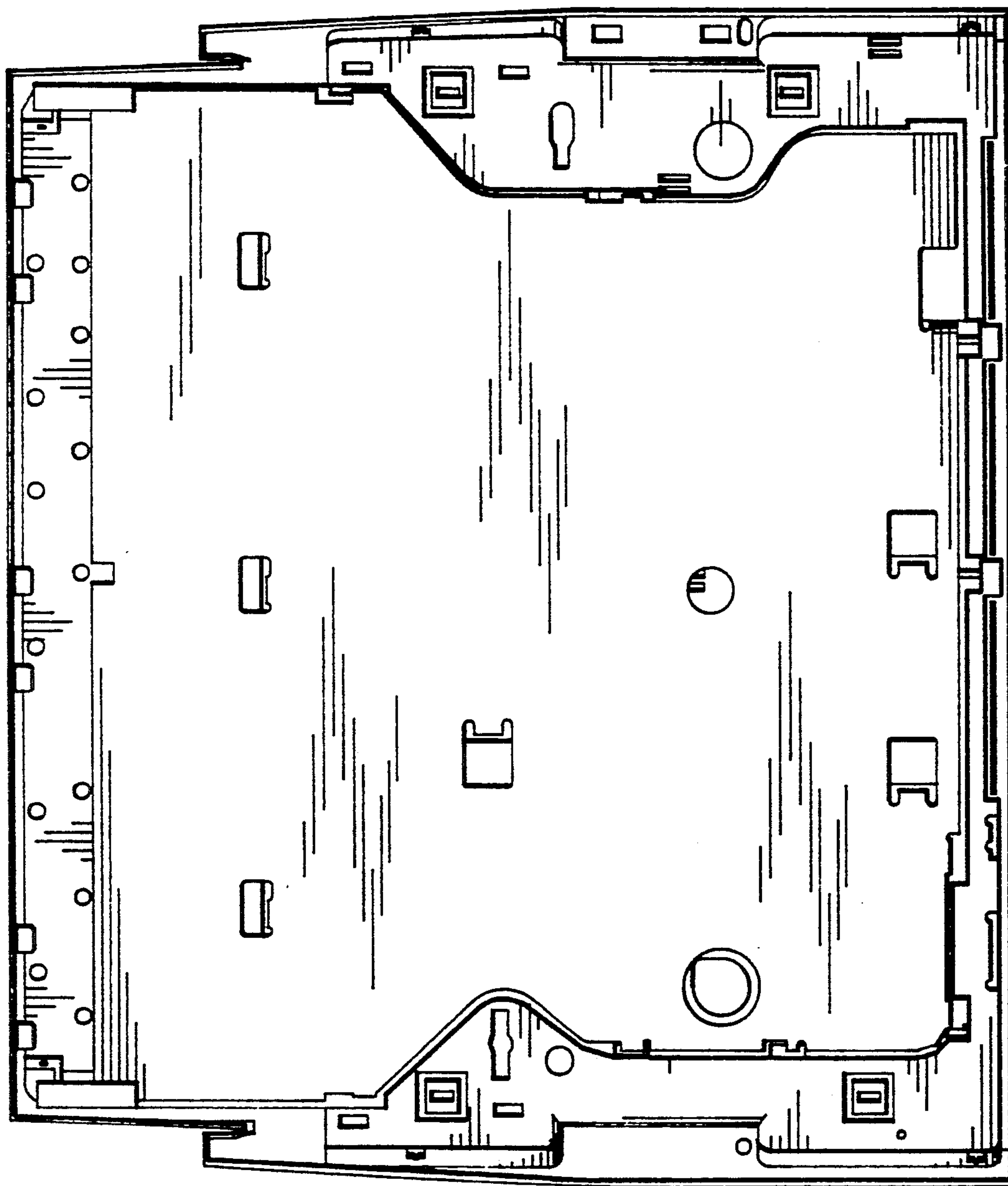


FIG. 18



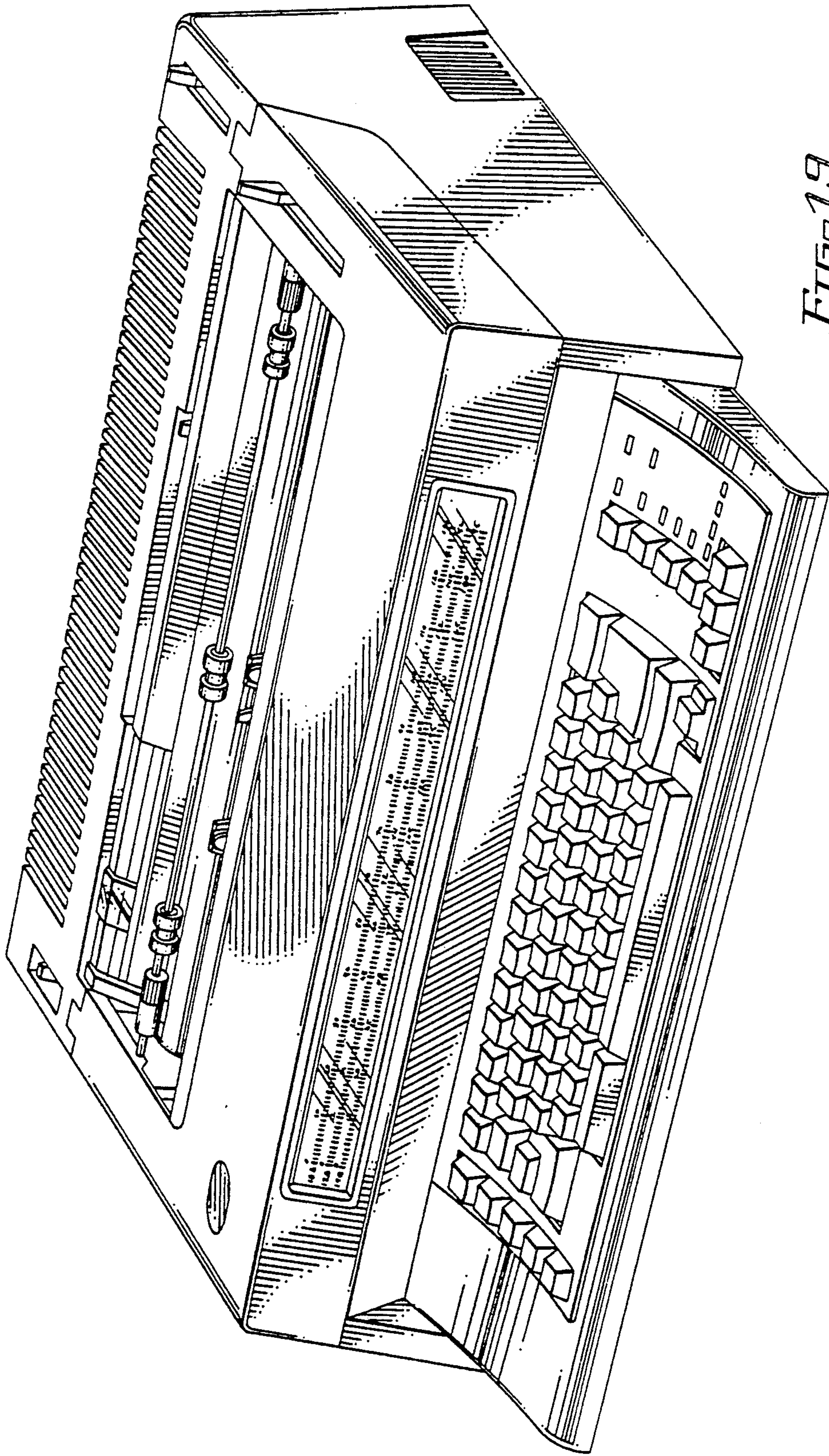


FIG. 19



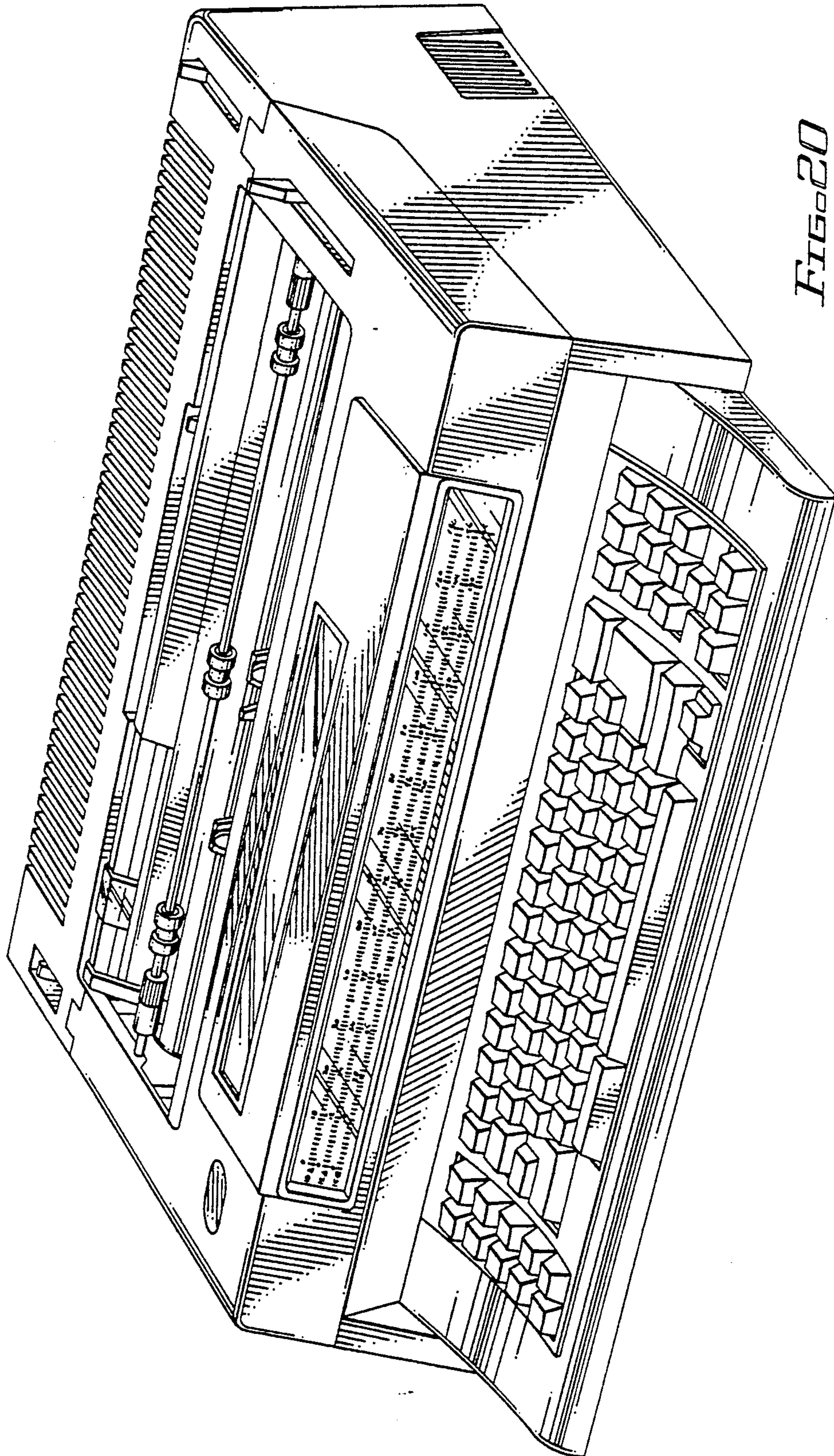


FIG. 20



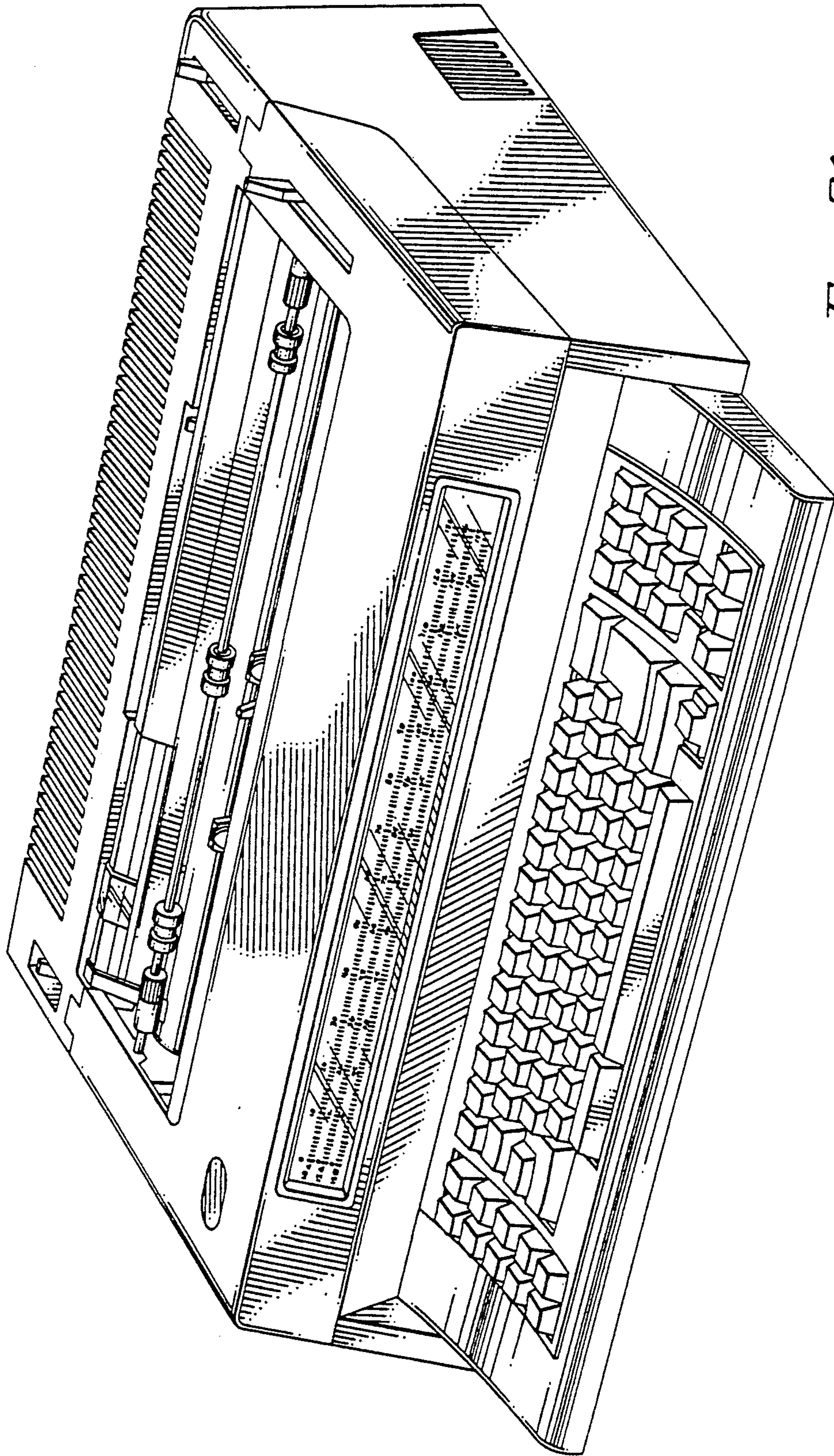


FIG. 21



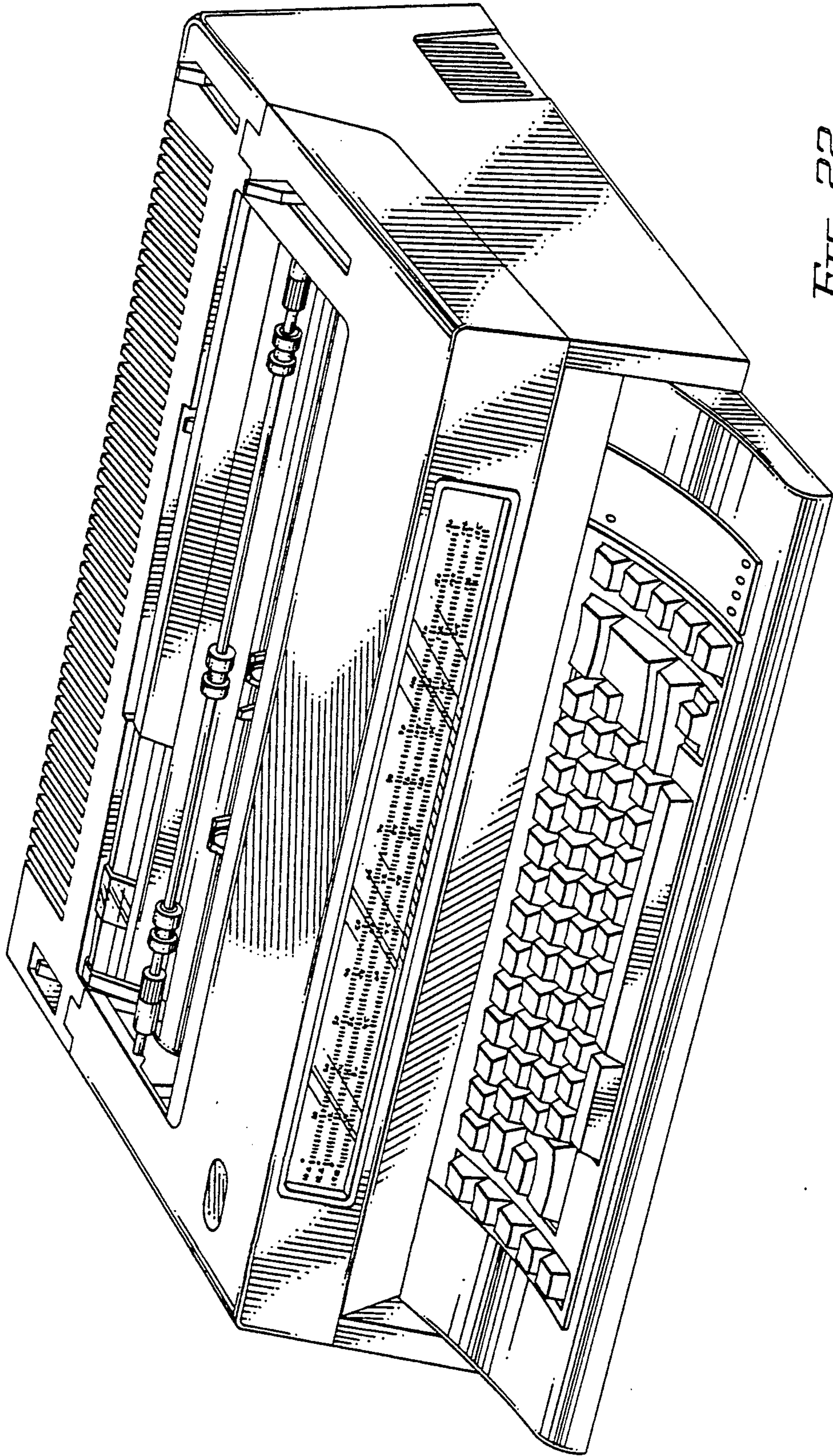


FIG. 22



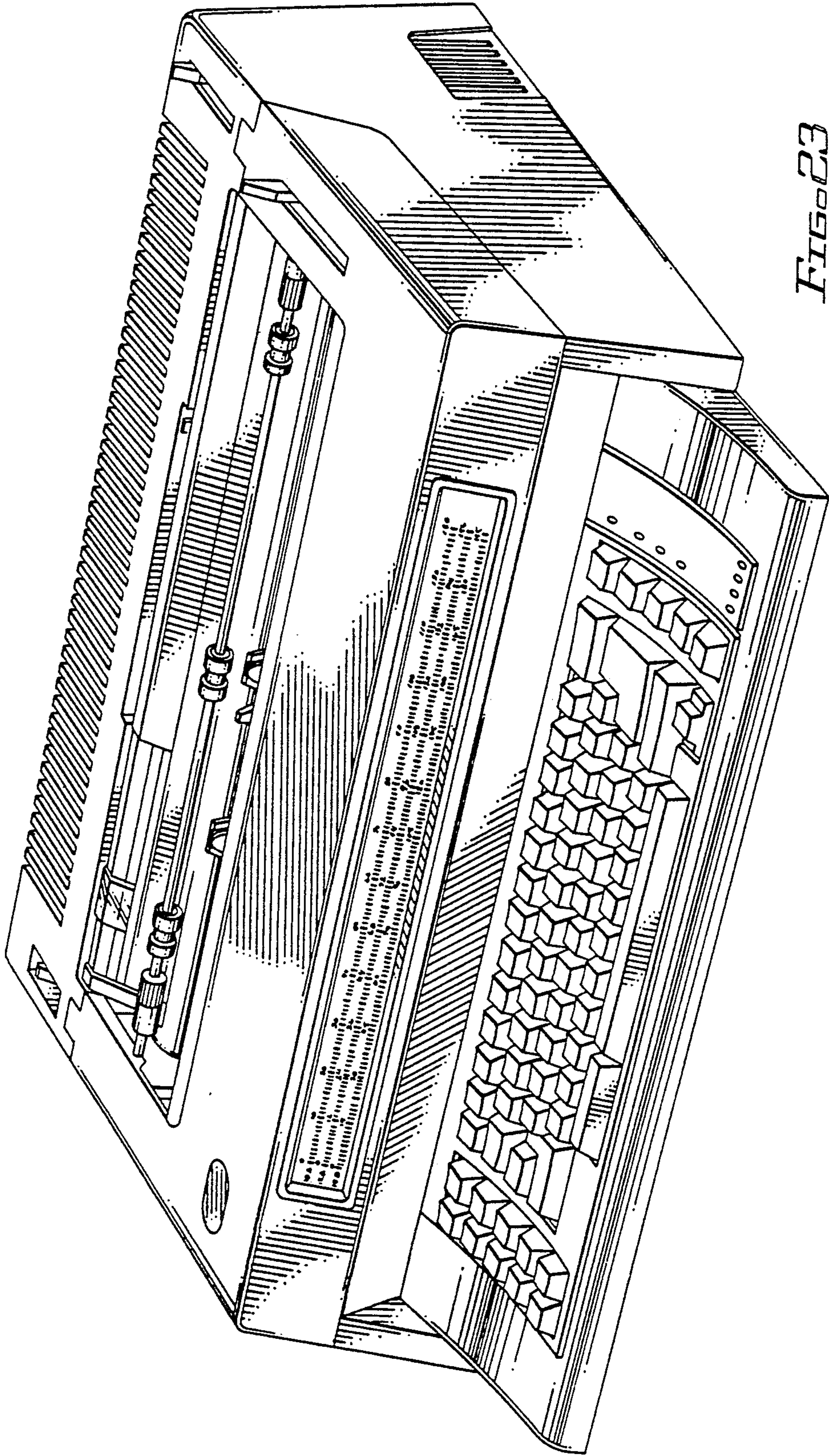


FIG. 23