



US00D328604S

# United States Patent [19]

[11] Patent Number: **Des. 328,604**

Chien

[45] Date of Patent: **\*\* Aug. 11, 1992**

[54] GRINDING MACHINE

4,388,780 6/1983 Rees ..... 51/267 X  
4,768,309 9/1988 Miller ..... 51/128

[76] Inventor: **Mu-Yen Chien**, 45 Szu-Wei Street,  
Taichung, Taiwan

*Primary Examiner*—Susan J. Lucas  
*Assistant Examiner*—M. H. Tung  
*Attorney, Agent, or Firm*—Bacon & Thomas

[\*\*] Term: **14 Years**

[21] Appl. No.: **540,810**

[57] **CLAIM**

[22] Filed: **Jun. 20, 1990**

The ornamental design for a grinding machine, as shown.

[52] U.S. Cl. .... **D15/124**

[58] Field of Search ..... **D15/124, 125; 51/128, 51/177, 204, 209 R, 267**

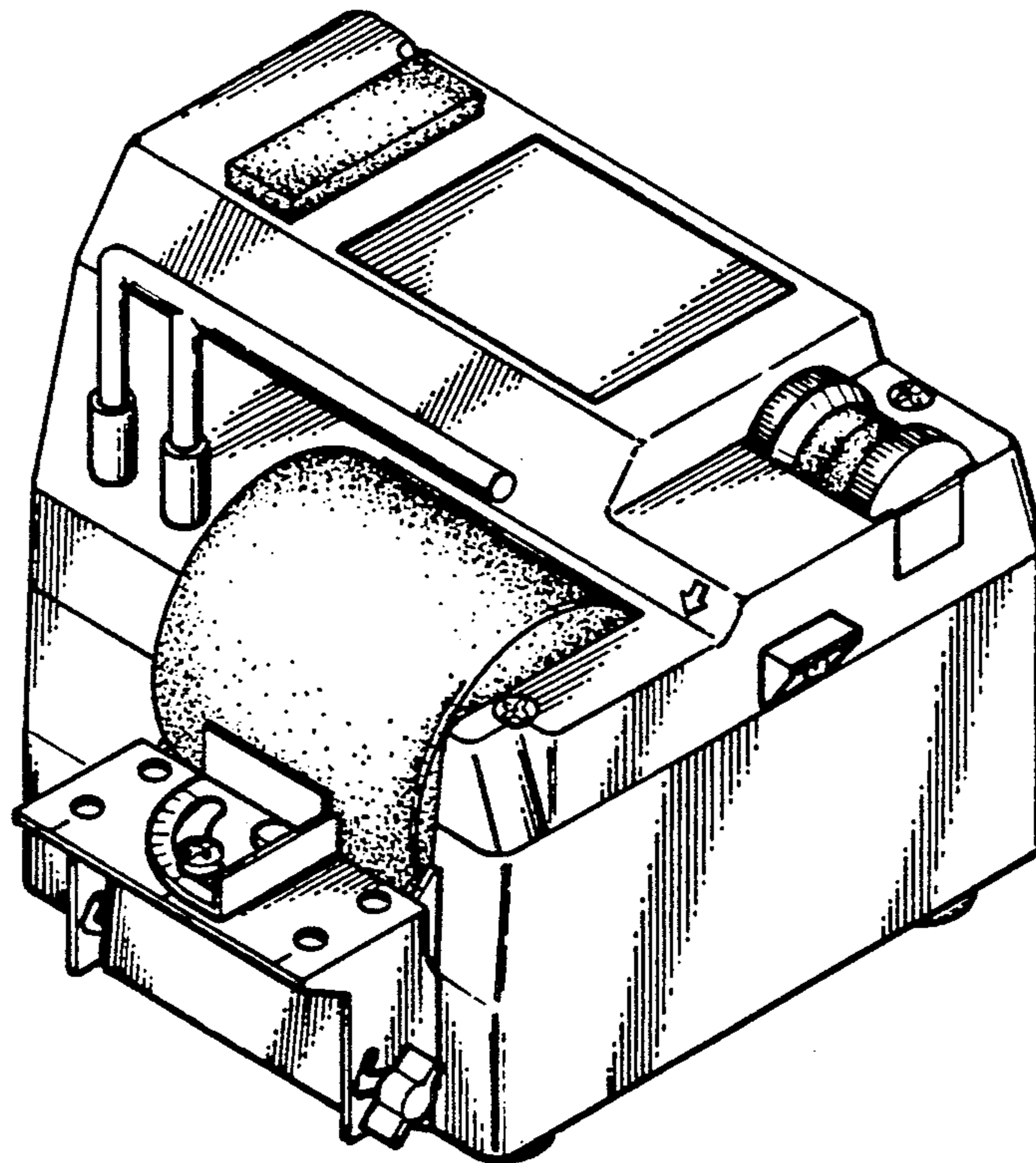
**DESCRIPTION**

[56] **References Cited**

**U.S. PATENT DOCUMENTS**

D. 251,772	5/1979	Ernst et al. ....	D23/200
D. 280,202	8/1985	Aldridge, Jr. ....	D15/124
D. 285,929	9/1986	Cheng .....	D15/124
3,256,647	6/1966	Mutton .....	51/267
4,209,950	7/1980	Sielemann .....	51/267

FIG. 1 is a front elevational view of a grinding machine showing my new design;  
FIG. 2 is a rear elevational view thereof;  
FIG. 3 is a top plan view thereof;  
FIG. 4 is a bottom plan view thereof;  
FIG. 5 is a left side elevational view thereof;  
FIG. 6 is a right side elevational view thereof; and,  
FIG. 7 is a top perspective view thereof.



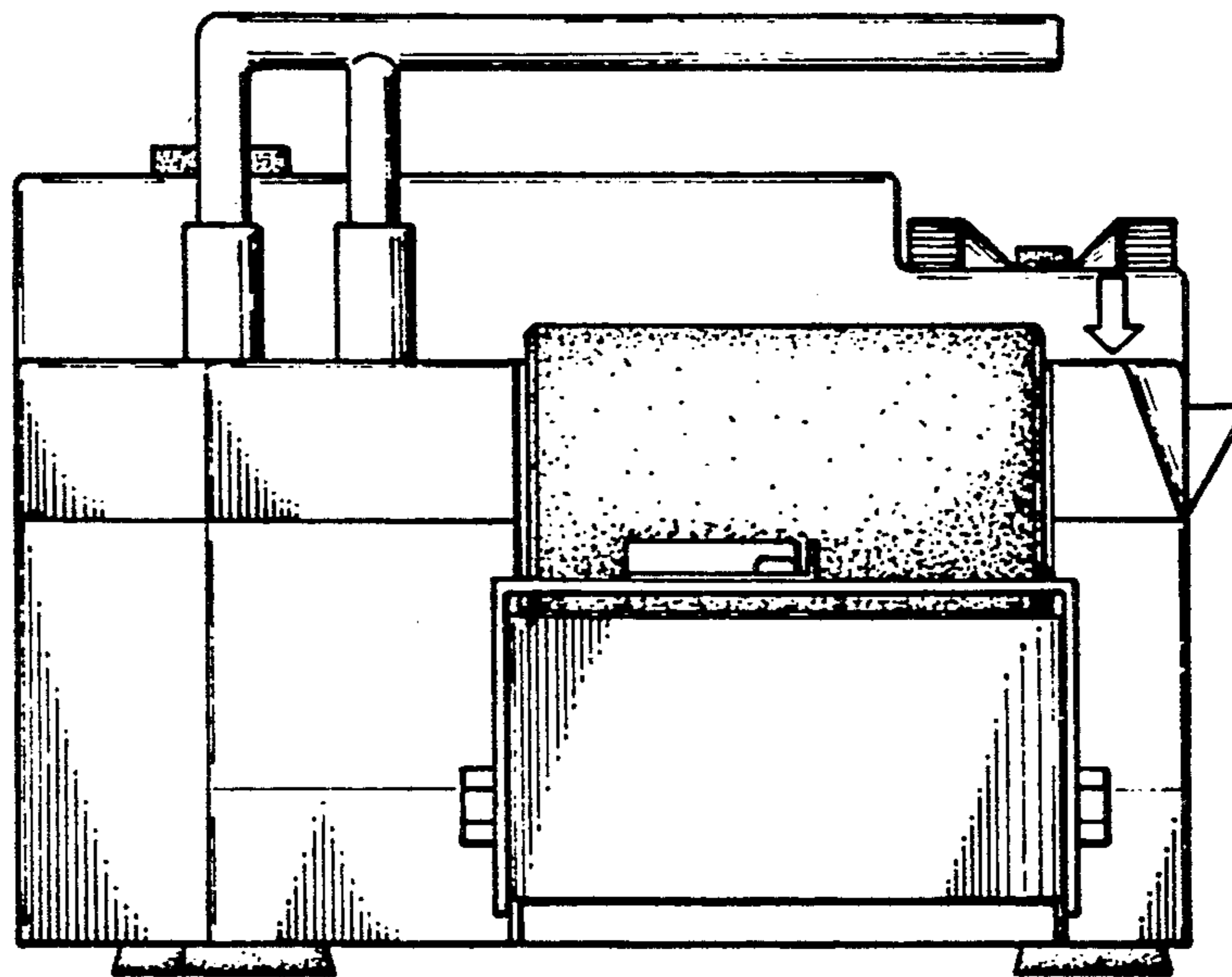


FIG. 1

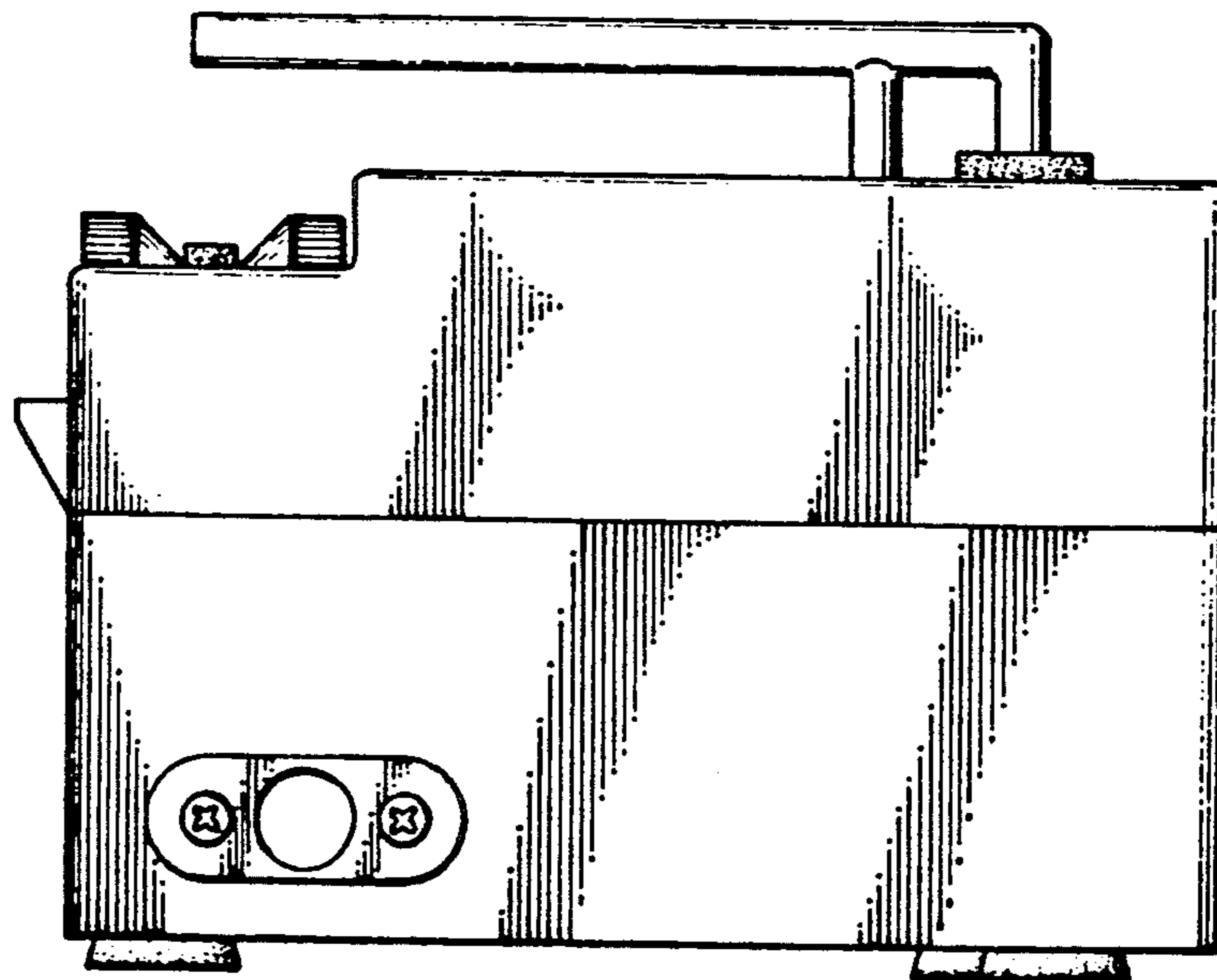


FIG. 2

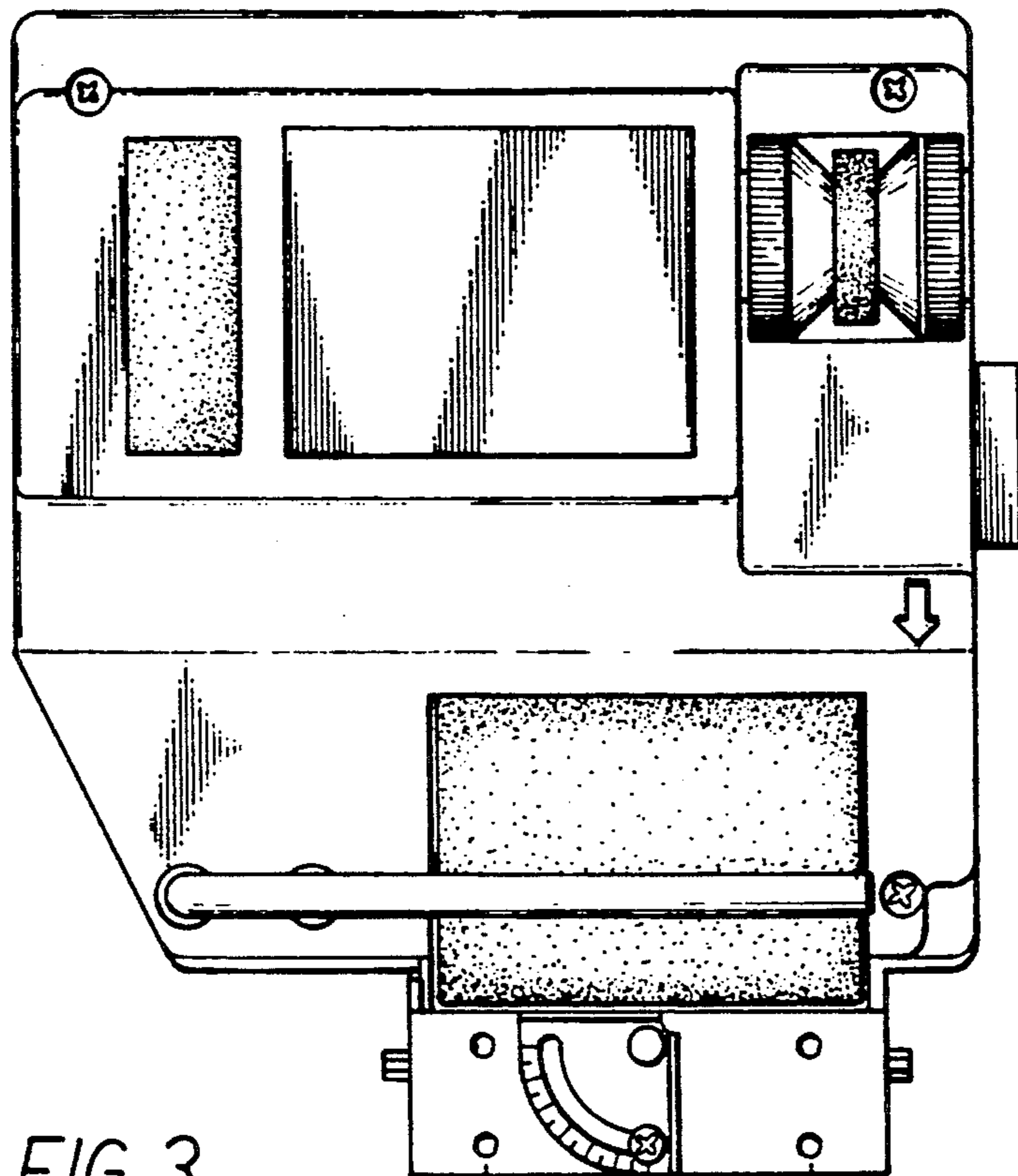


FIG. 3

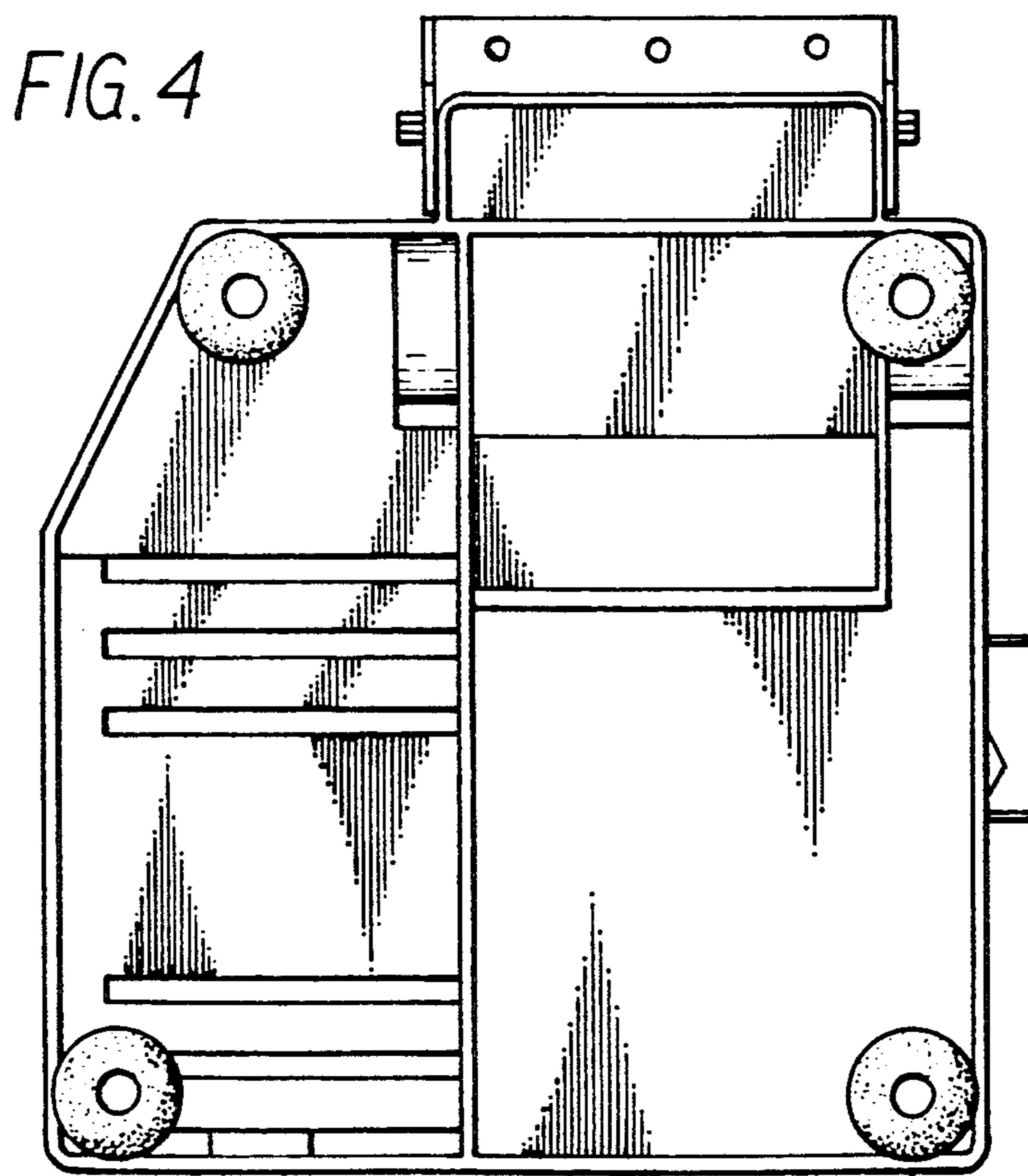


FIG. 4

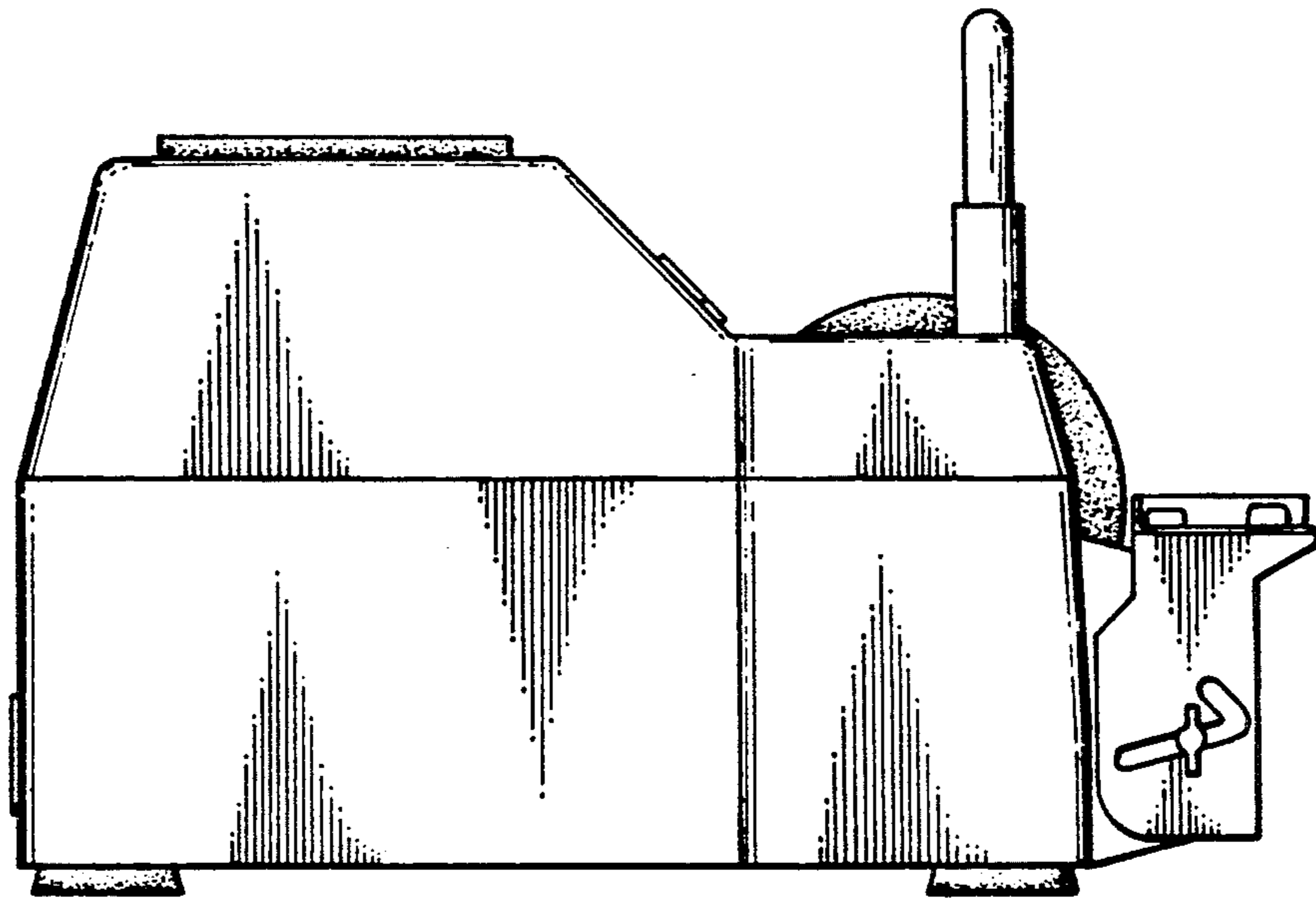


FIG. 5

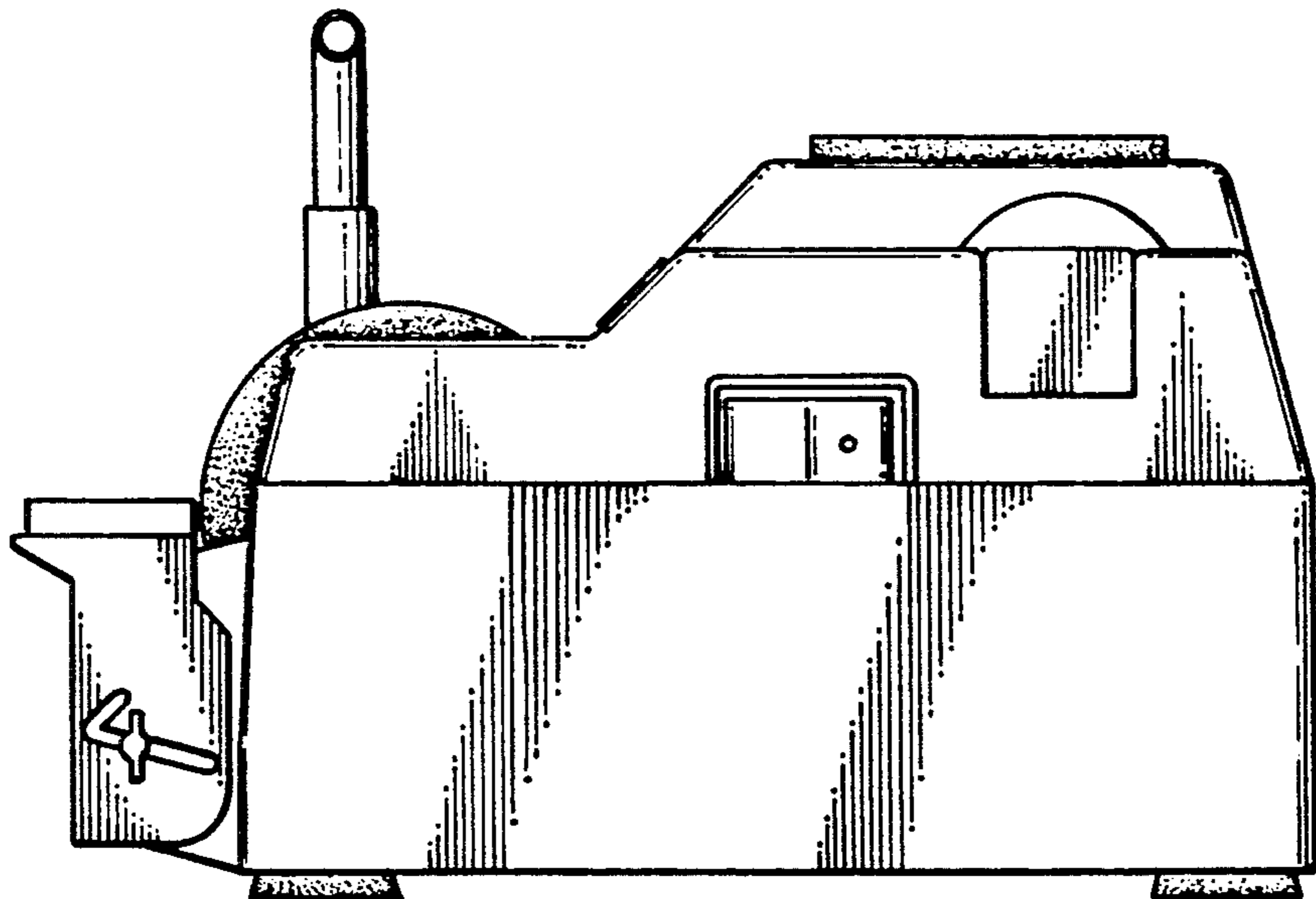


FIG. 6

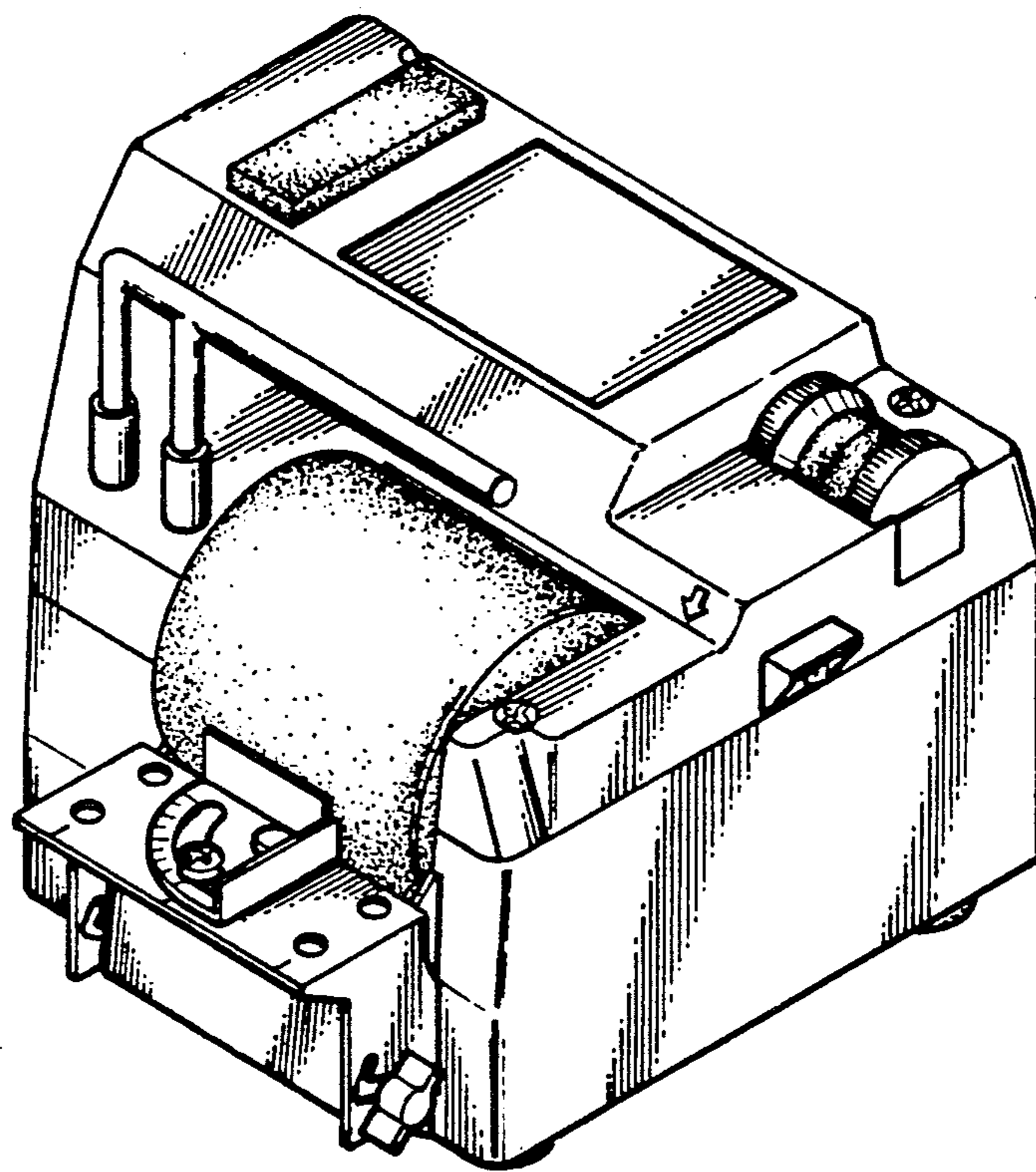


FIG. 7