



US00D328603S

United States Patent [19]

[11] Patent Number: **Des. 328,603**

Piltz et al.

[45] Date of Patent: **** Aug. 11, 1992**

[54] **SHREDDER FOR GARDEN WASTE MATERIAL**

[56] **References Cited**

[75] Inventors: **Henrich Piltz; Paul Budde**, both of Nottuln, Fed. Rep. of Germany

U.S. PATENT DOCUMENTS

D. 247,038	1/1978	Stallard	D15/16
3,099,122	7/1963	Sakatani	56/202
4,574,568	3/1986	Trelford	56/202

[73] Assignee: **Sabo Maschinenfabrik AG**, Gummersbach, Fed. Rep. of Germany

OTHER PUBLICATIONS

Implement & Tractor p. 37 Apr. 1986 Shredder/-Spreader top left.
Implement & Tractor p. 13 Mar. 1989 shredder, top right.

[**] Term: **14 Years**

Primary Examiner—Bernard Ansher
Assistant Examiner—Sandra Morris
Attorney, Agent, or Firm—Anderson, Kill, Olick

[21] Appl. No.: **490,961**

[57] CLAIM

[22] Filed: **Mar. 9, 1990**

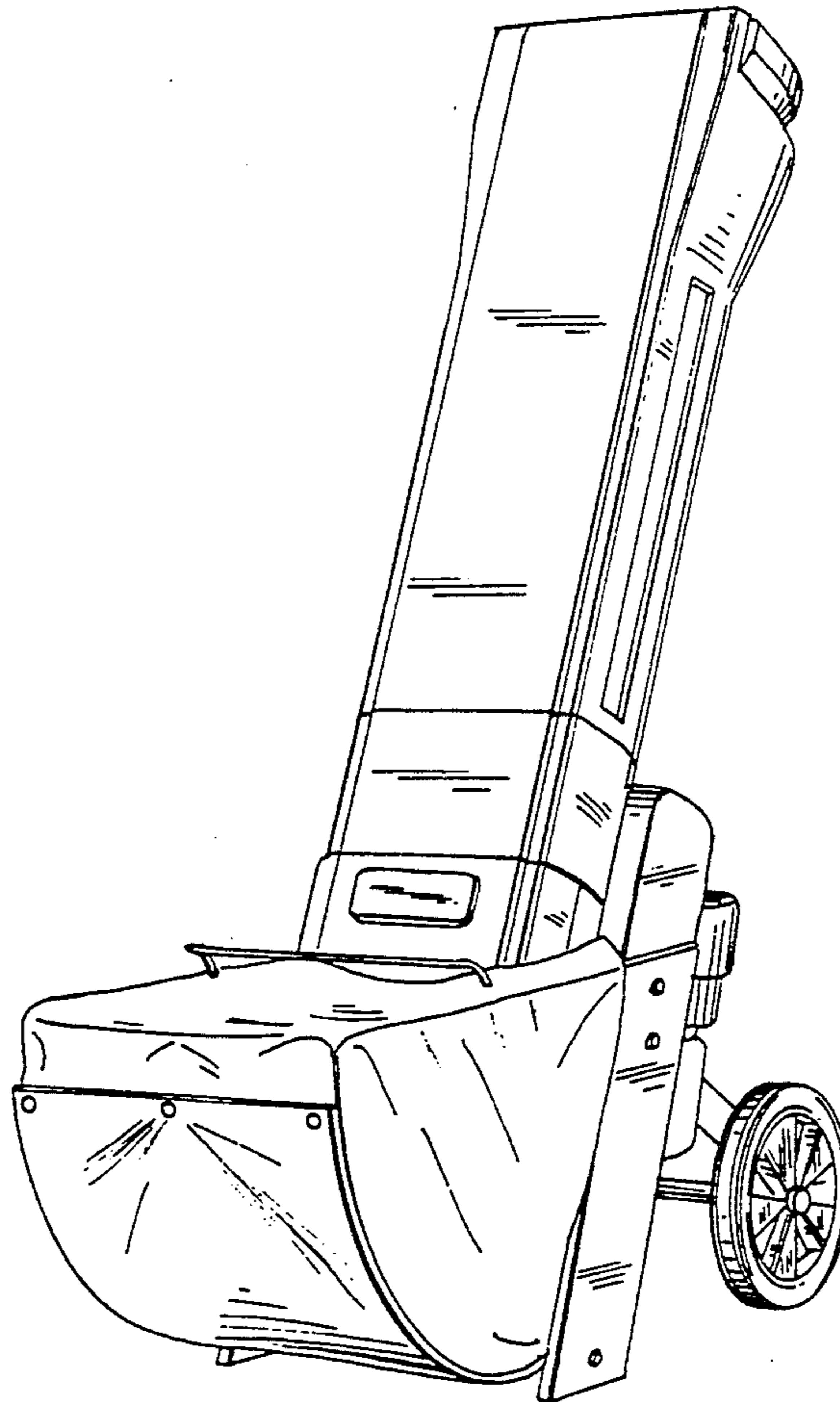
The ornamental design for a shredder for garden waste material, as shown and described.

[30] Foreign Application Priority Data

Sep. 9, 1989 [DE] . Fed. Rep. of Germany 8906579
 [52] U.S. Cl. **D15/10**
 [58] Field of Search D15/10, 14; 56/202; 241/36, 101.7, 186 R, 192, 282.2

DESCRIPTION

FIG. 1 is a right side perspective view of a shredder for garden waste material, showing our new design; **FIG. 2** is a front perspective view thereof; and, **FIG. 3** is a side perspective view thereof.



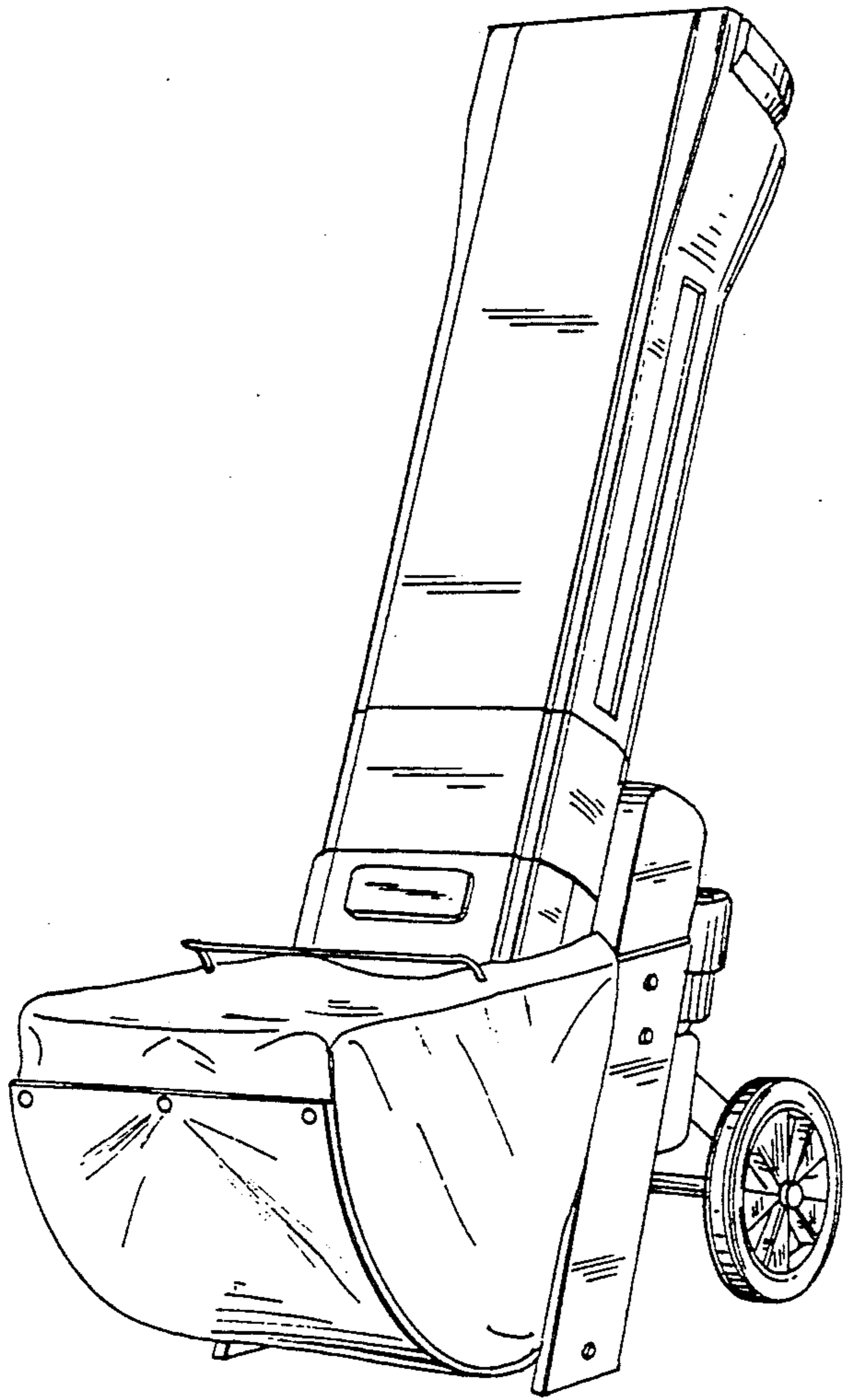


FIG. 1

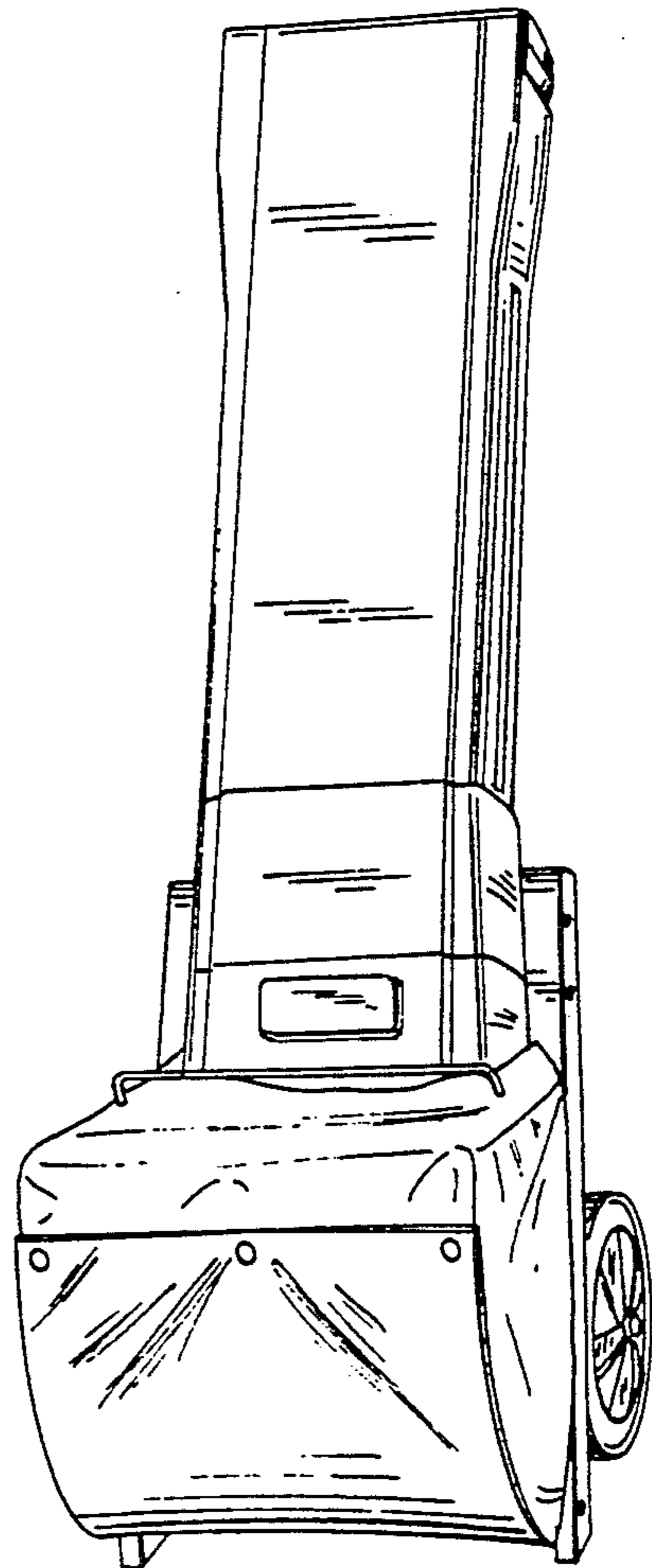


FIG. 2

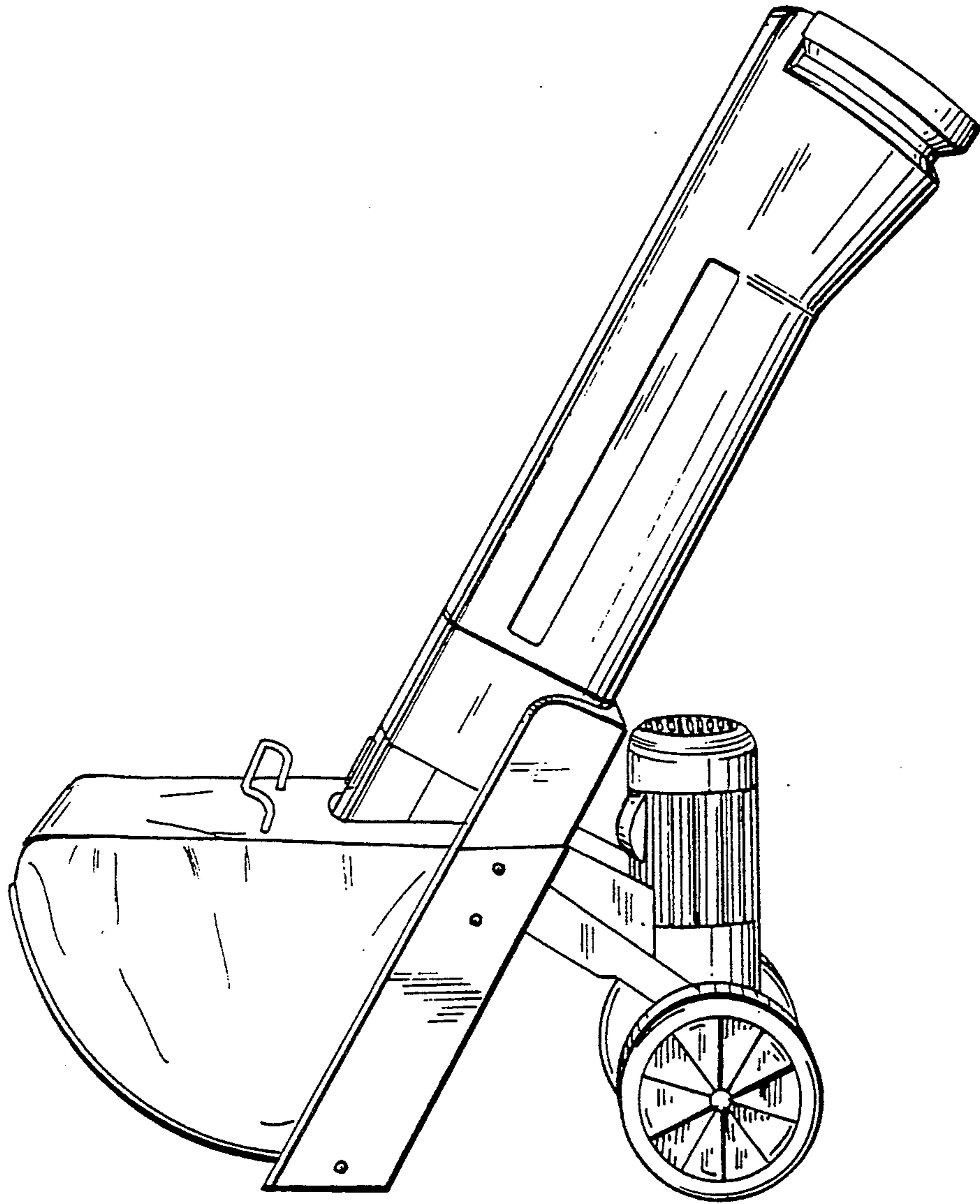


FIG. 3