



US00D328595S

# United States Patent [19]

[11] Patent Number: **Des. 328,595**

Lou

[45] Date of Patent: **\*\* Aug. 11, 1992**

[54] **PRINTER PORT EXTENDER**

[75] Inventor: **Tony Lou, Taipei, Taiwan**

[73] Assignee: **Aten International Co., Ltd., Taipei, Taiwan**

[\*\*] Term: **14 Years**

[21] Appl. No.: **571,443**

[22] Filed: **Aug. 23, 1990**

[52] U.S. Cl. .... **D14/107; D13/147**

[58] Field of Search ..... **D13/147; D14/100, 107, D14/242; 439/610, 620; 375/8**

Inmac RS-232 interface on p. 38 of Inmac Catalog 1-88.

Line driver on p. 120 of Misco Catalog Winter '1988.  
RS-232 interface on p. 45 of Patton Electronics Co. Catalog #9, Mar. 1990.

*Primary Examiner*—Susan J. Lucas  
*Assistant Examiner*—Joel Sincavage  
*Attorney, Agent, or Firm*—Longacre & White

[57] **CLAIM**

The ornamental design for a printer port extender, as shown.

**DESCRIPTION**

FIG. 1 is a perspective view of a printer port extender showing my new design;  
FIG. 2 is a front elevational view thereof;  
FIG. 3 is a rear elevational view thereof;  
FIG. 4 is a left side elevational view thereof;  
FIG. 5 is a right side elevational view thereof;  
FIG. 6 is a top plan view thereof; and,  
FIG. 7 is a bottom plan view thereof.

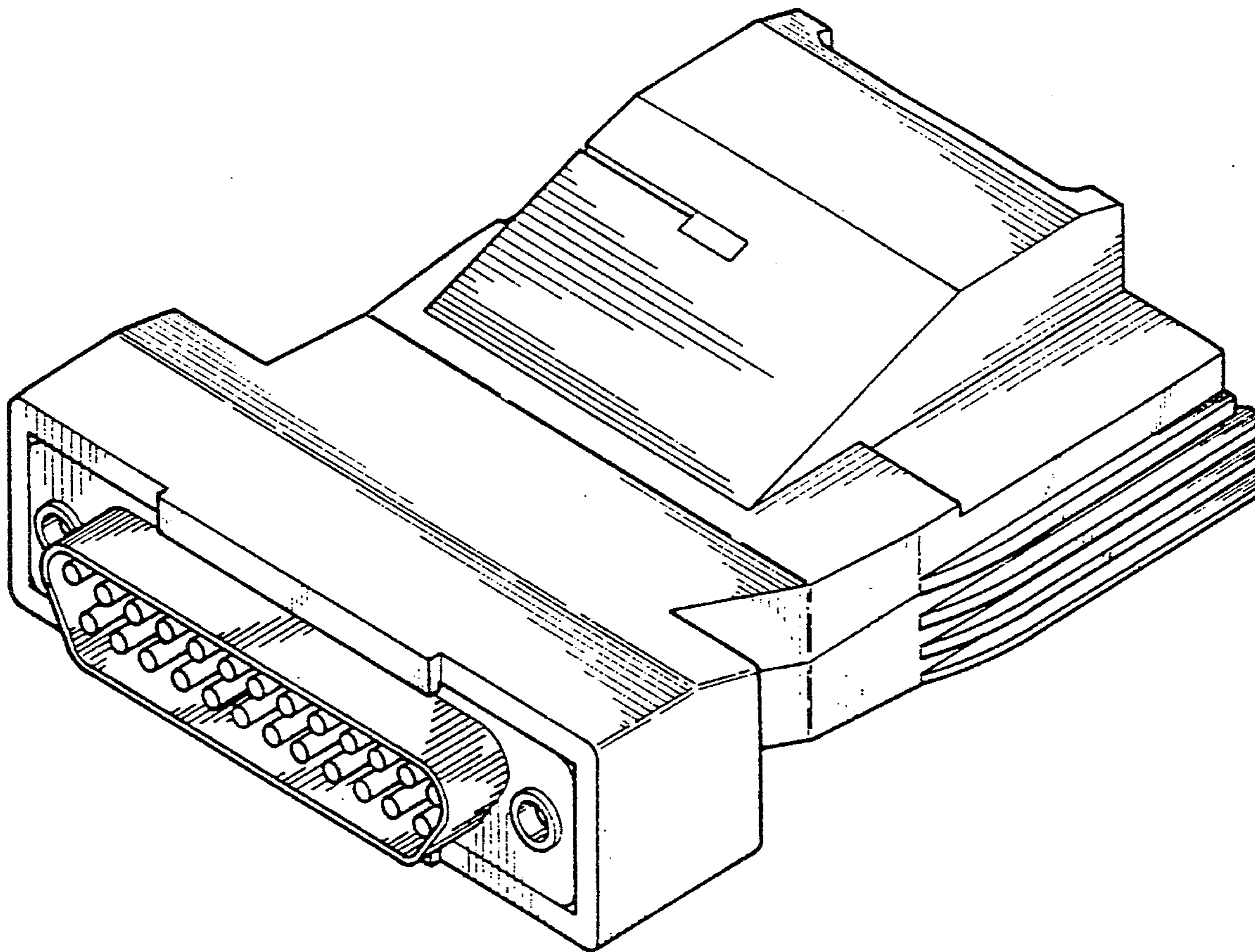
[56] **References Cited**

**U.S. PATENT DOCUMENTS**

- D. 268,262 3/1983 Frantz ..... D13/147
- D. 275,850 10/1984 Wilson ..... D13/147

**OTHER PUBLICATIONS**

Intelli-Cable connector on p. 86 of Inmac Catalog Jan. 1988.



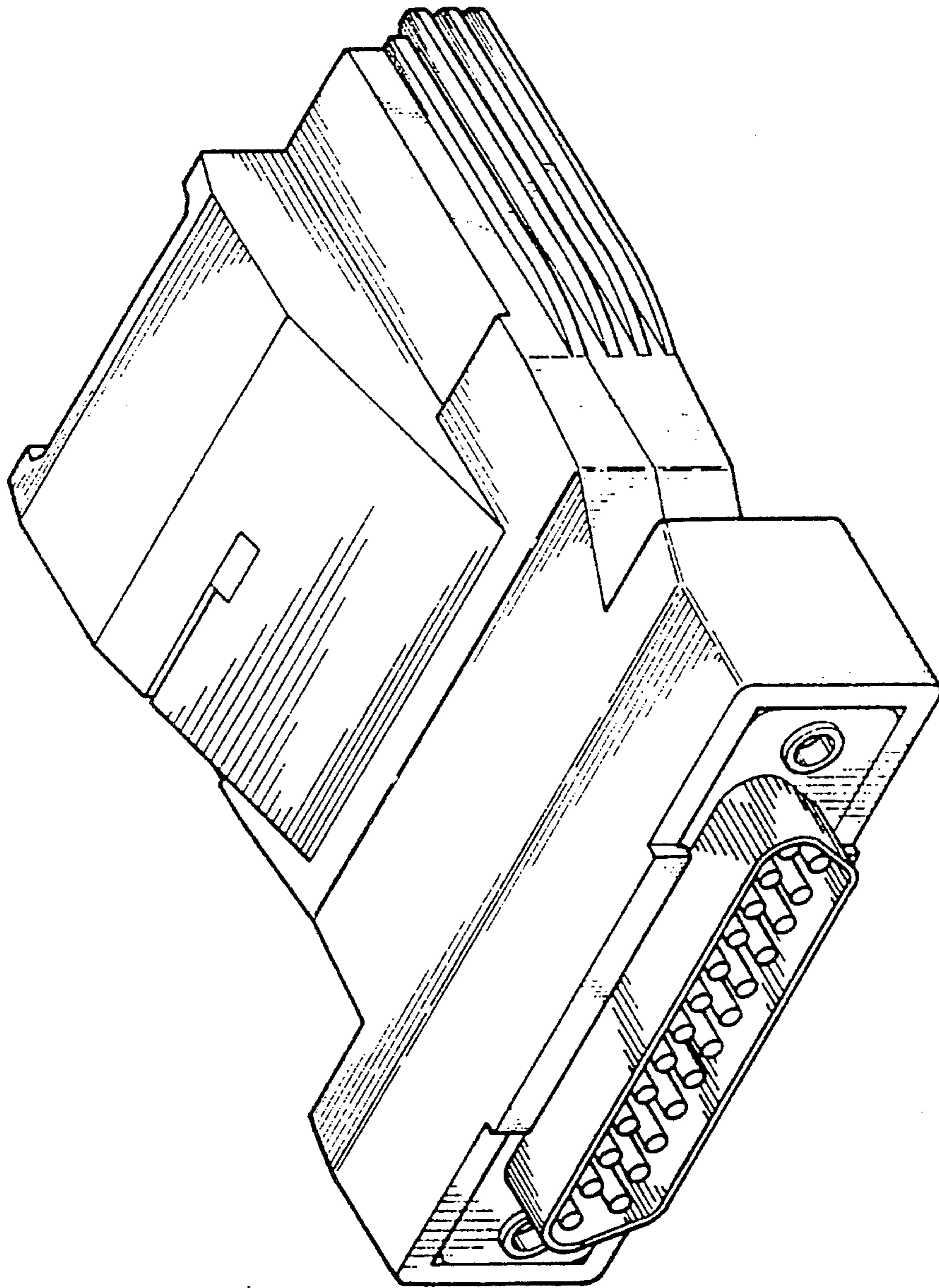


FIG. 1

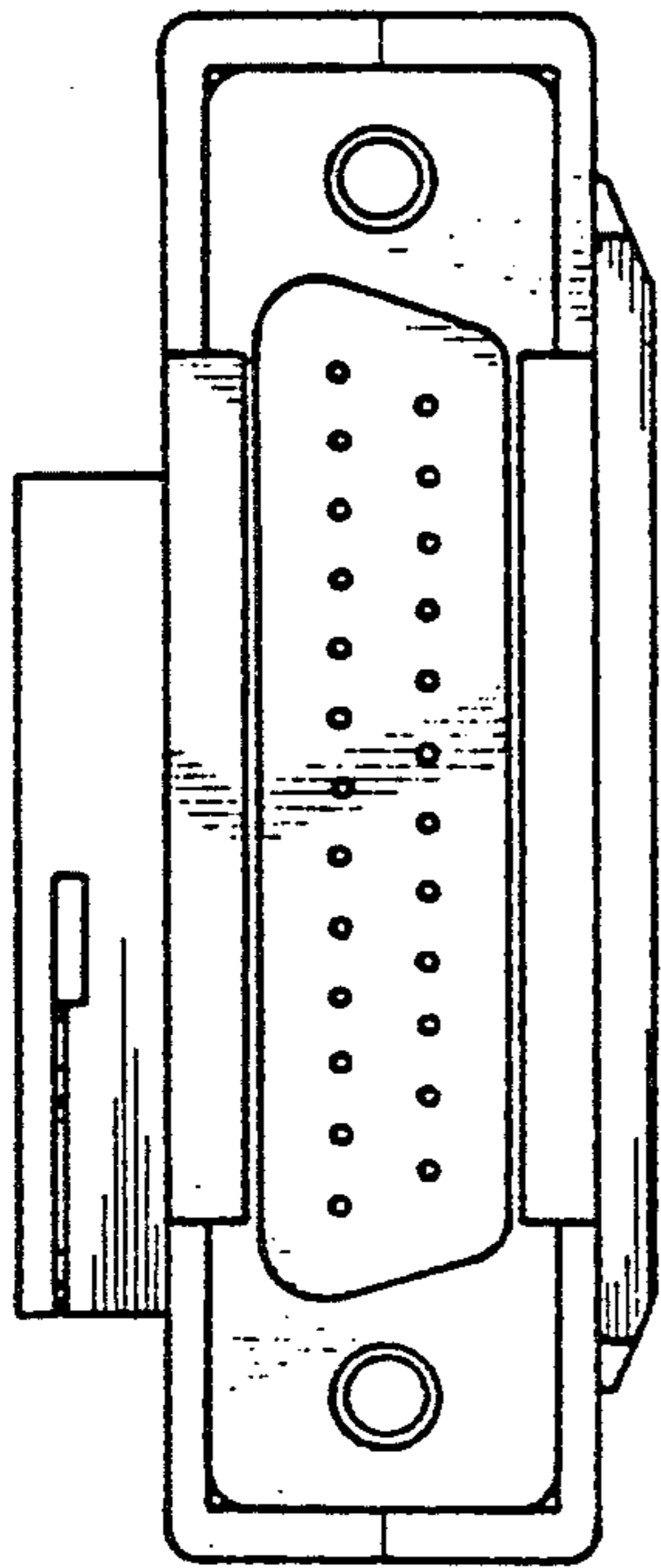


FIG. 2

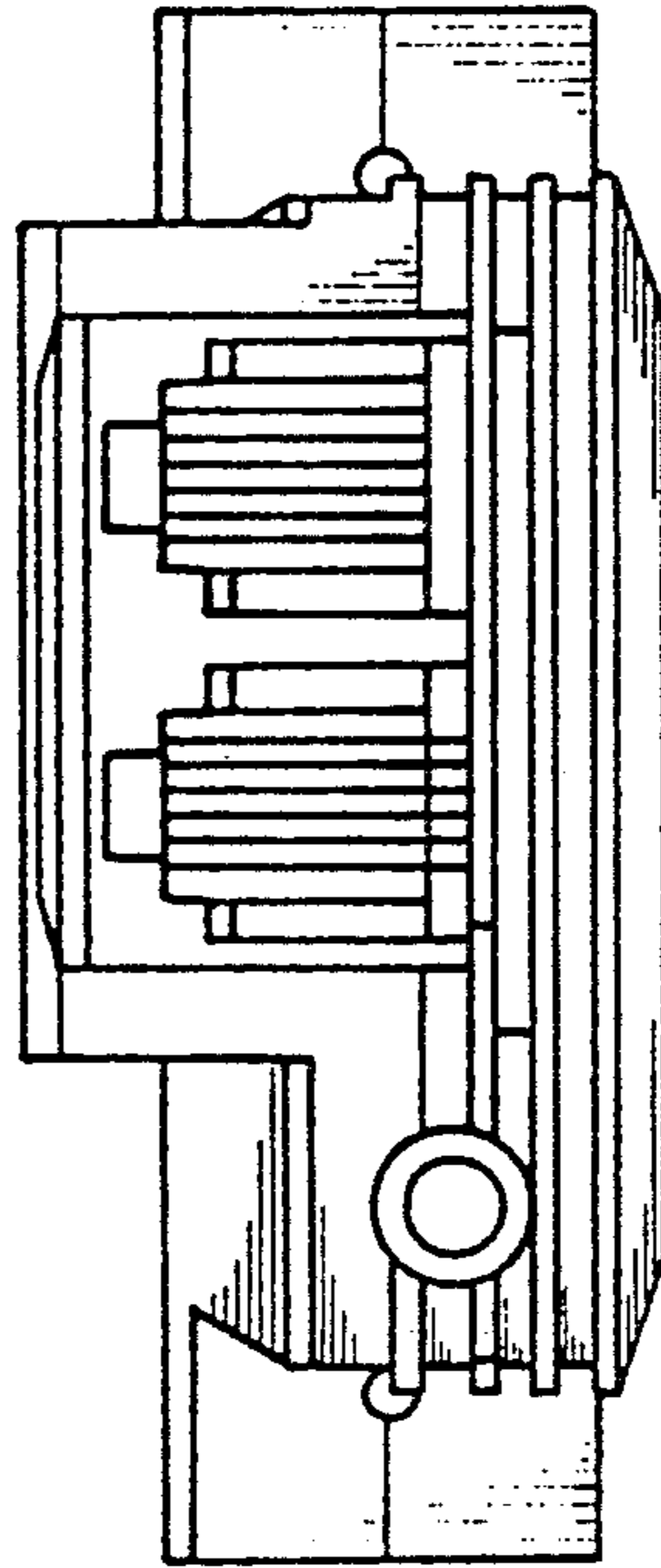


FIG. 3

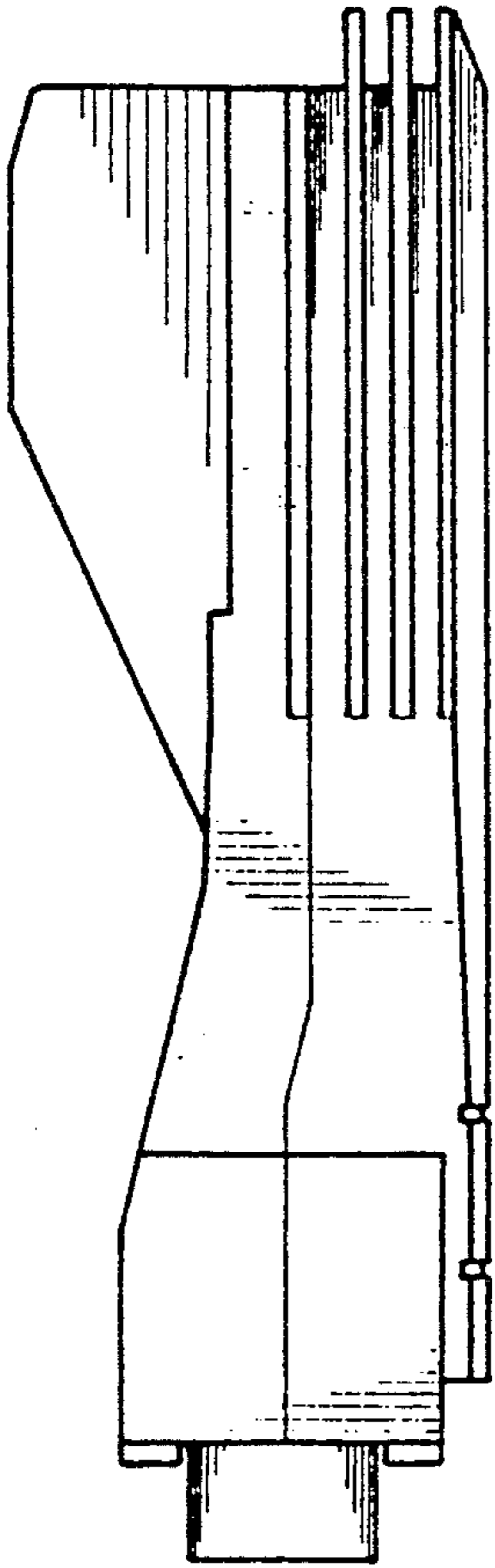


FIG. 5

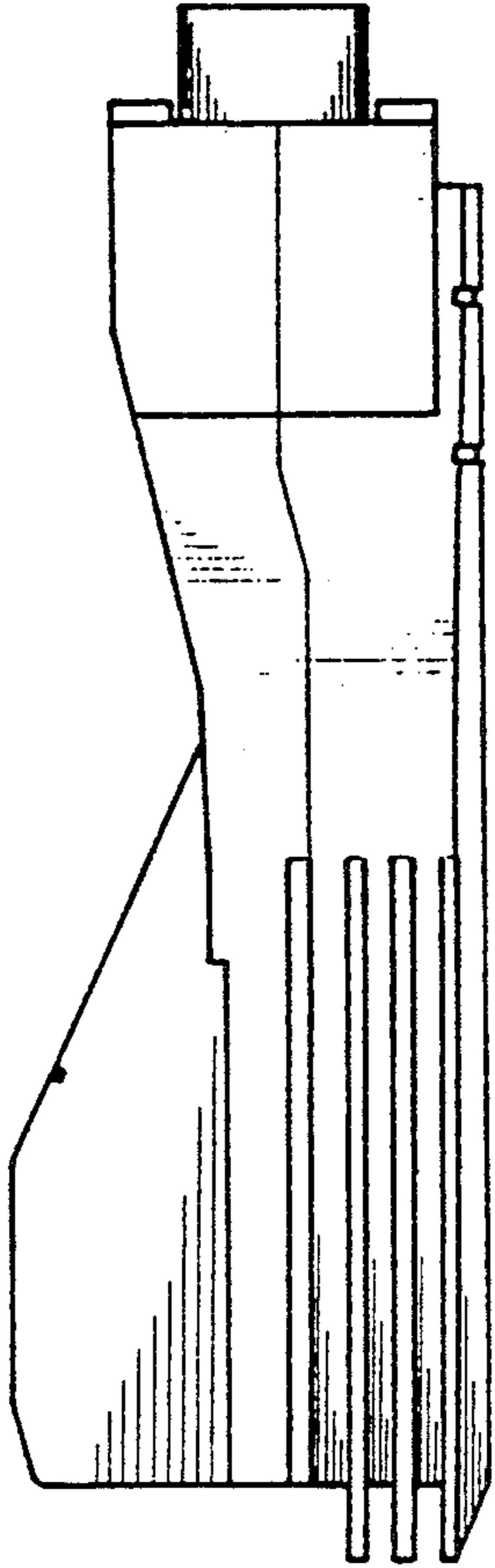


FIG. 4

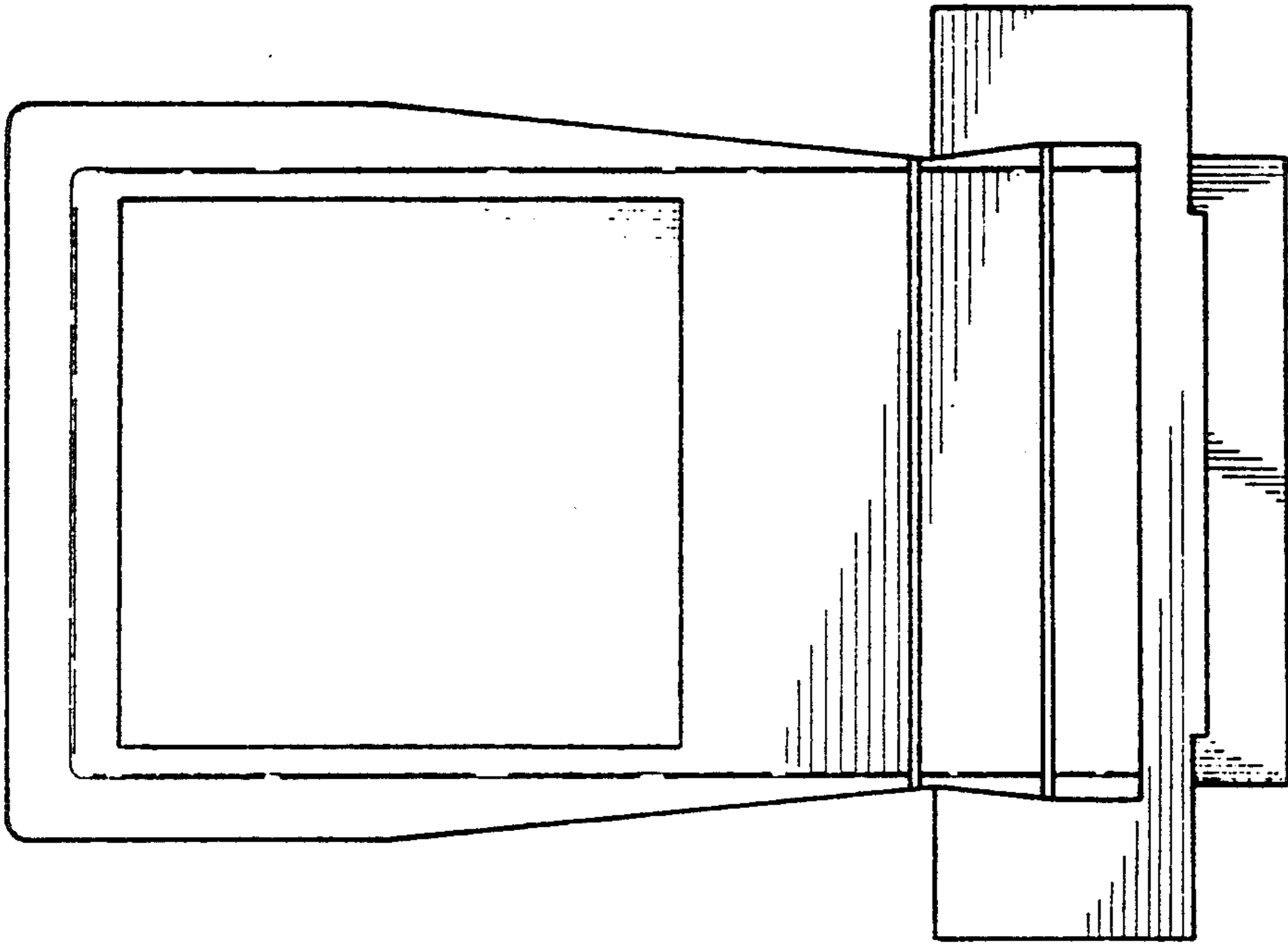


FIG. 7

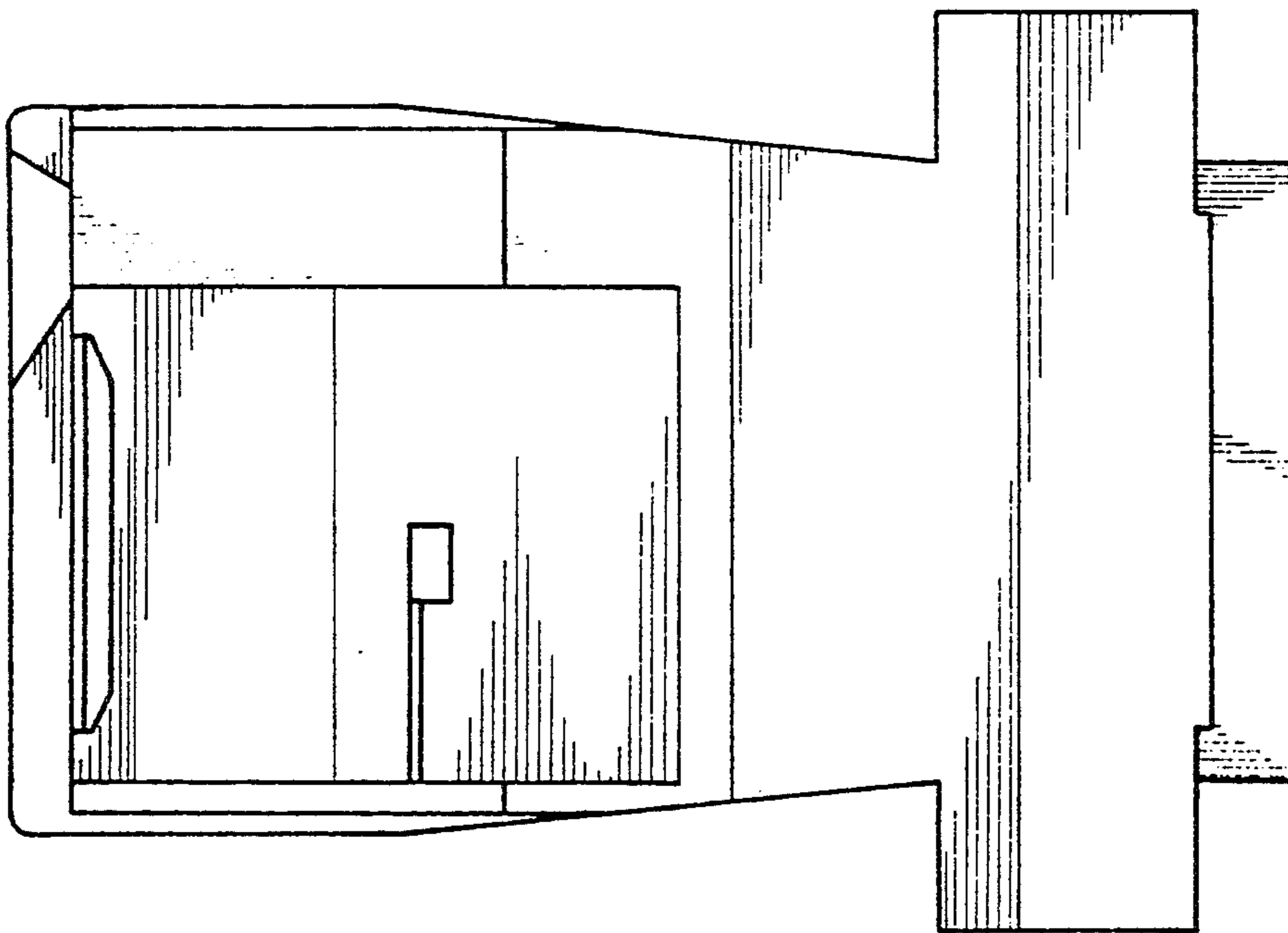


FIG. 6