



US00D328594S

United States Patent [19] Kobayashi

[11] Patent Number: **Des. 328,594**
[45] Date of Patent: **** Aug. 11, 1992**

[54] **IMAGE SCANNER**
[75] Inventor: **Hiroyuki Kobayashi, Kofu, Japan**
[73] Assignee: **Nisca Corporation, Yamanashi, Japan**
[**] Term: **14 Years**
[21] Appl. No.: **533,670**
[22] Filed: **Jun. 5, 1990**

D. 307,894 5/1990 Siemiatkowski D14/116
3,600,557 8/1971 Zappia 235/470
5,012,353 4/1991 Yoshino et al. 358/474 X

OTHER PUBLICATIONS

Fuji Xerox XS-2 Catalog of Image Scanner, May 23, 1986.

Primary Examiner—Wallace R. Burke
Assistant Examiner—Freda S. Nunn
Attorney, Agent, or Firm—Oblon, Spivak, McClelland, Maier & Neustadt

[30] **Foreign Application Priority Data**
Feb. 26, 1990 [JP] Japan 2-6137
[52] U.S. Cl. **D14/107**
[58] **Field of Search** D14/100, 105, 107, 114,
D14/116; D16/1, 2, 223, 27-32; D18/36, 12,
22, 37, 40; 235/454, 462, 470-473, 475, 479;
250/208, 203 R, 566, 568, 239; 382/58, 59, 62,
63, 65; 355/231, 233; 354/80-82; 358/408, 473,
474, 479

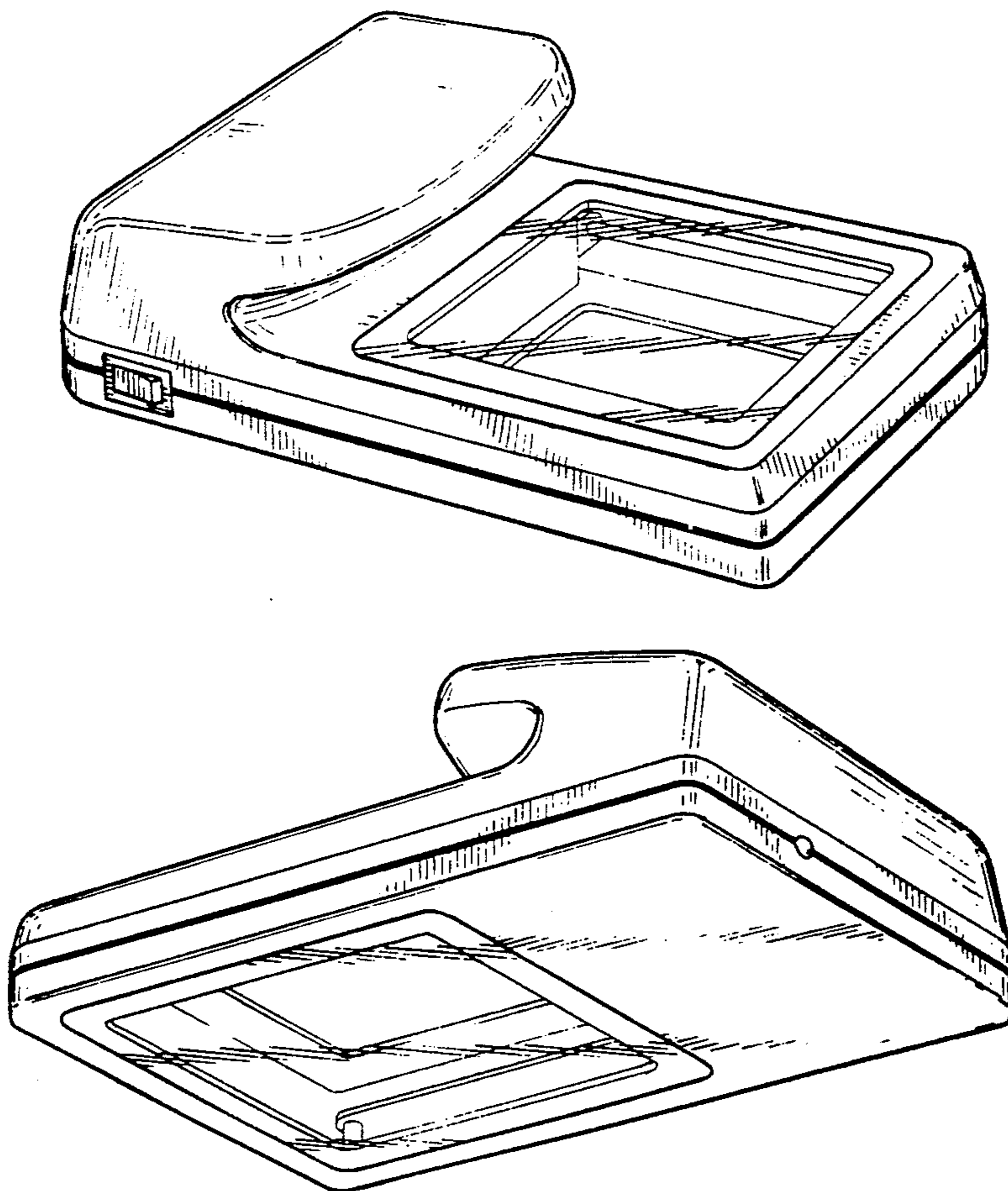
CLAIM

[57] The ornamental design for an image scanner, as shown and described.

DESCRIPTION

FIG. 1 is a top plan view of an image scanner showing my new design;
FIG. 2 is a left side elevational view thereof;
FIG. 3 is a bottom plan view thereof;
FIG. 4 is a front elevational view thereof;
FIG. 5 is a rear elevational view thereof;
FIG. 6 is a top and front perspective view thereof; and,
FIG. 7 is a bottom and rear perspective view thereof.

[56] **References Cited**
U.S. PATENT DOCUMENTS
D. 304,181 10/1989 Kagayama et al. D14/116
D. 304,934 12/1989 Koshino D14/107



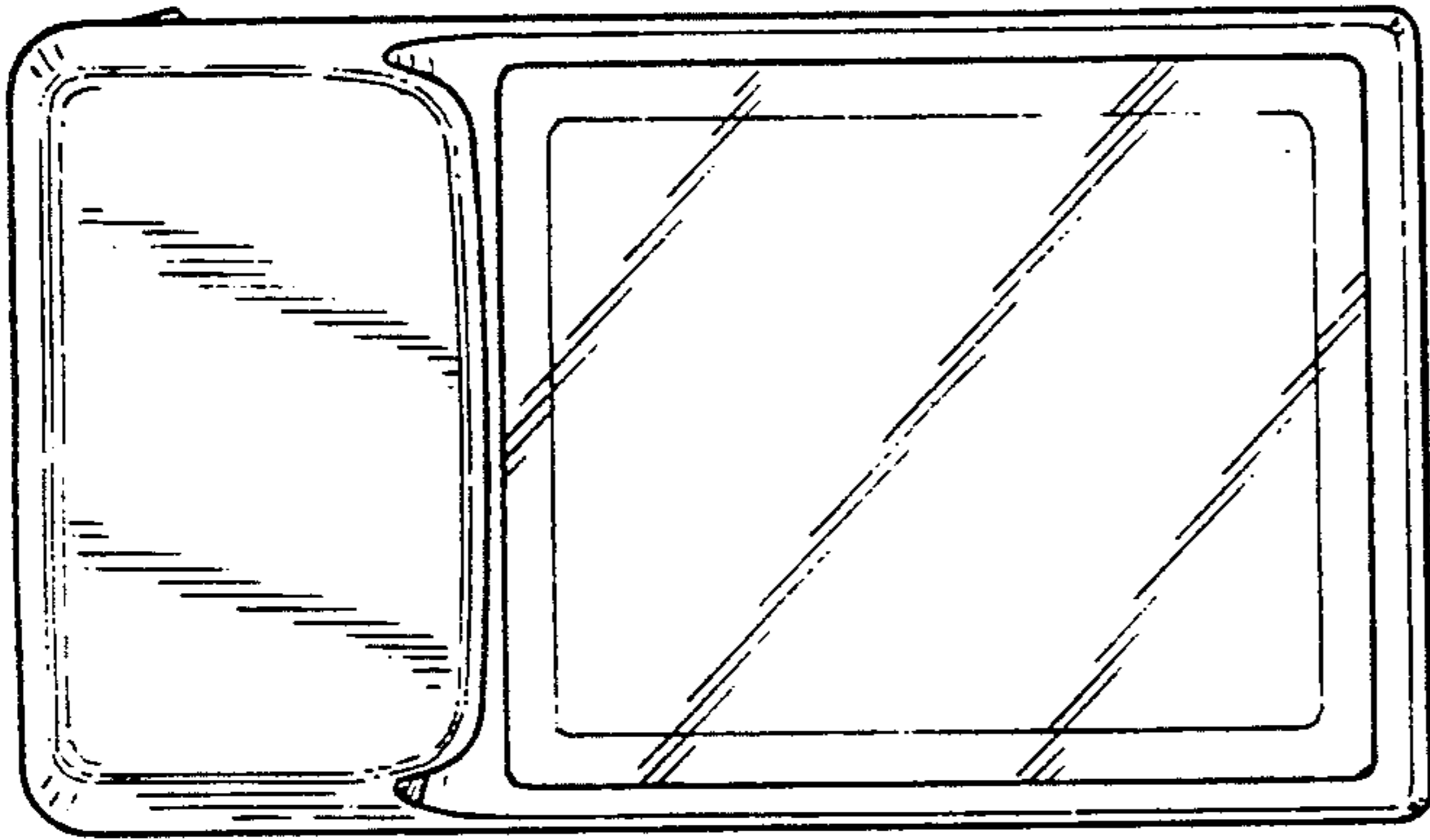


FIG. 1



FIG. 2



FIG. 4

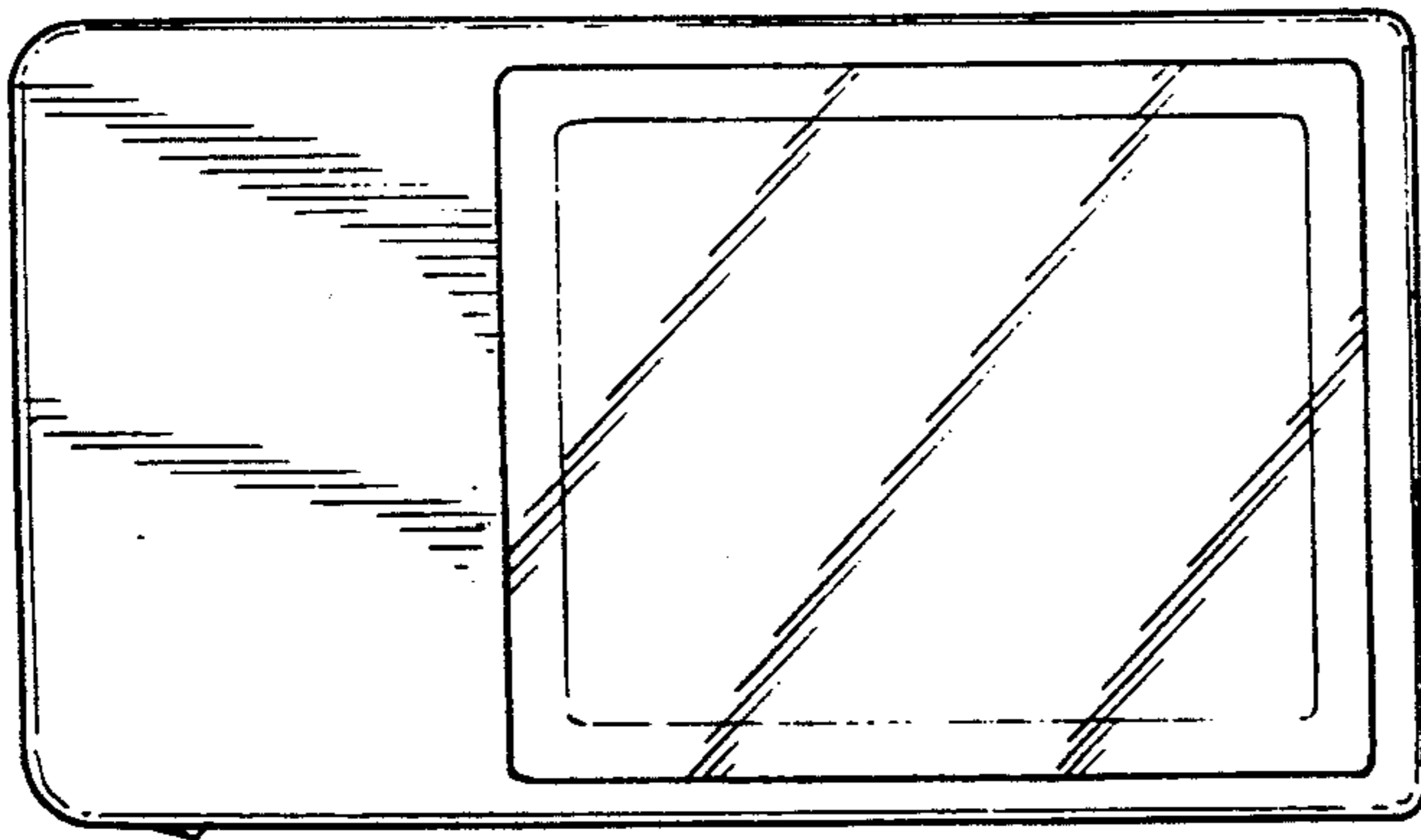


FIG. 3

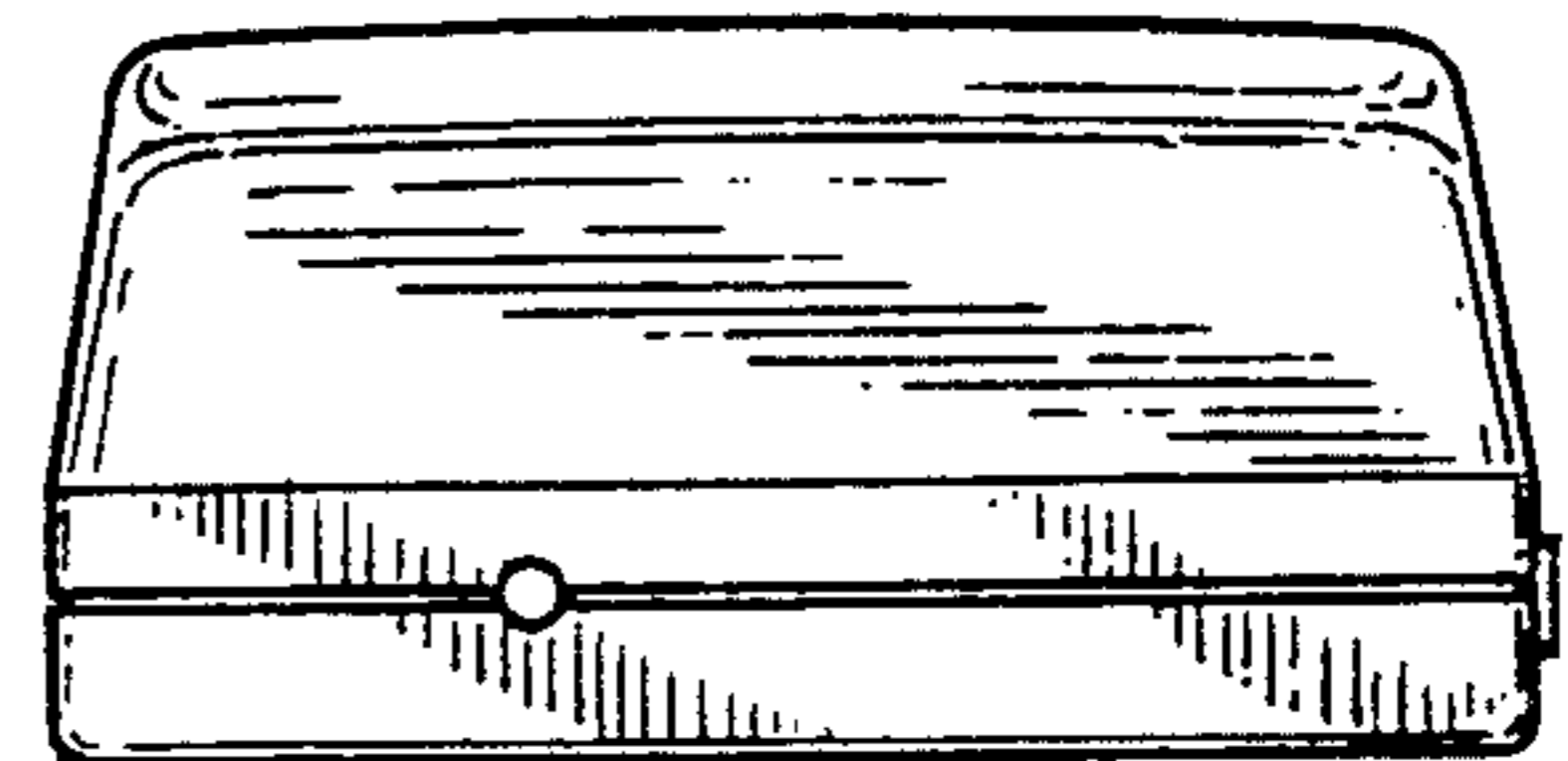


FIG. 5

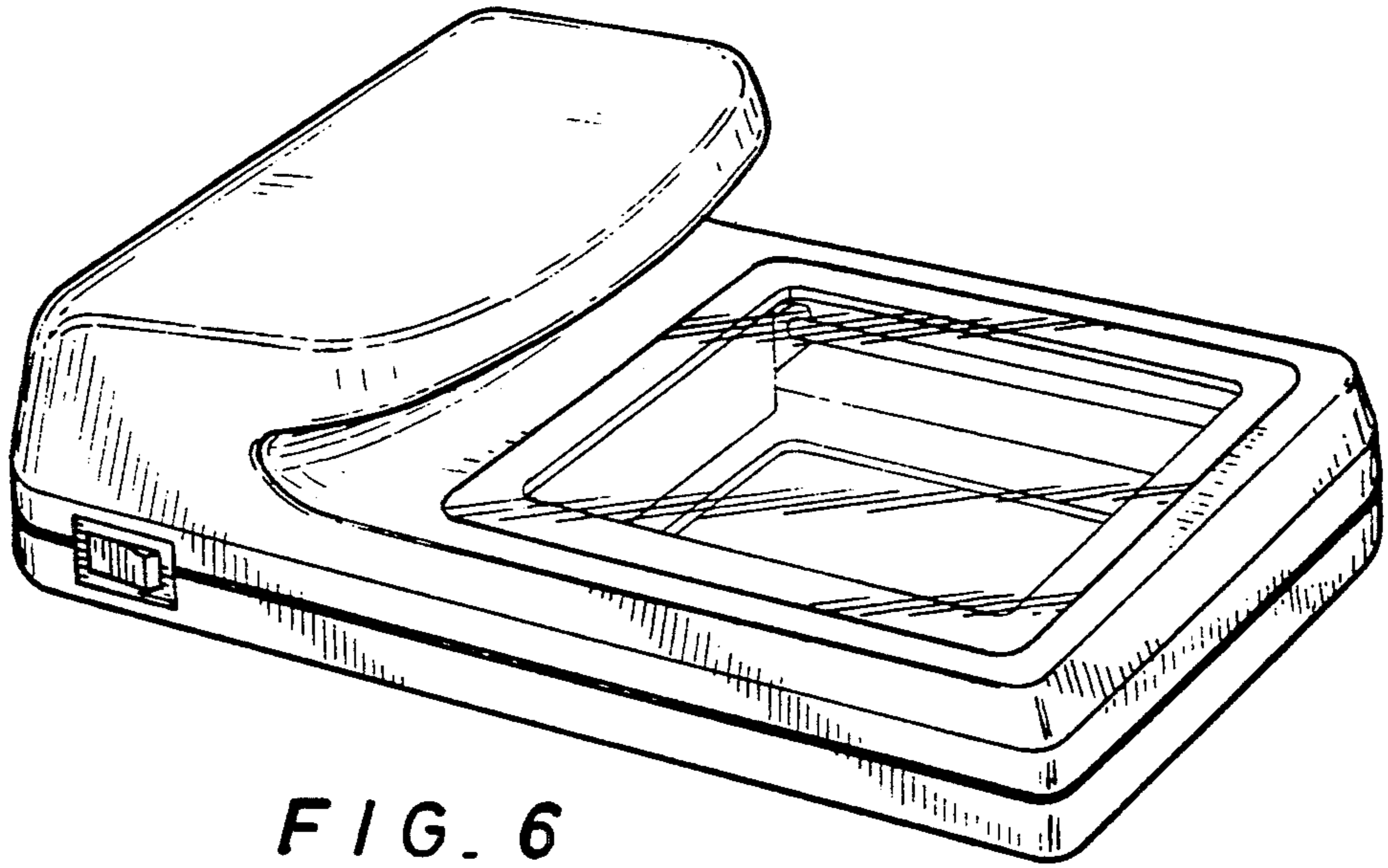


FIG. 6

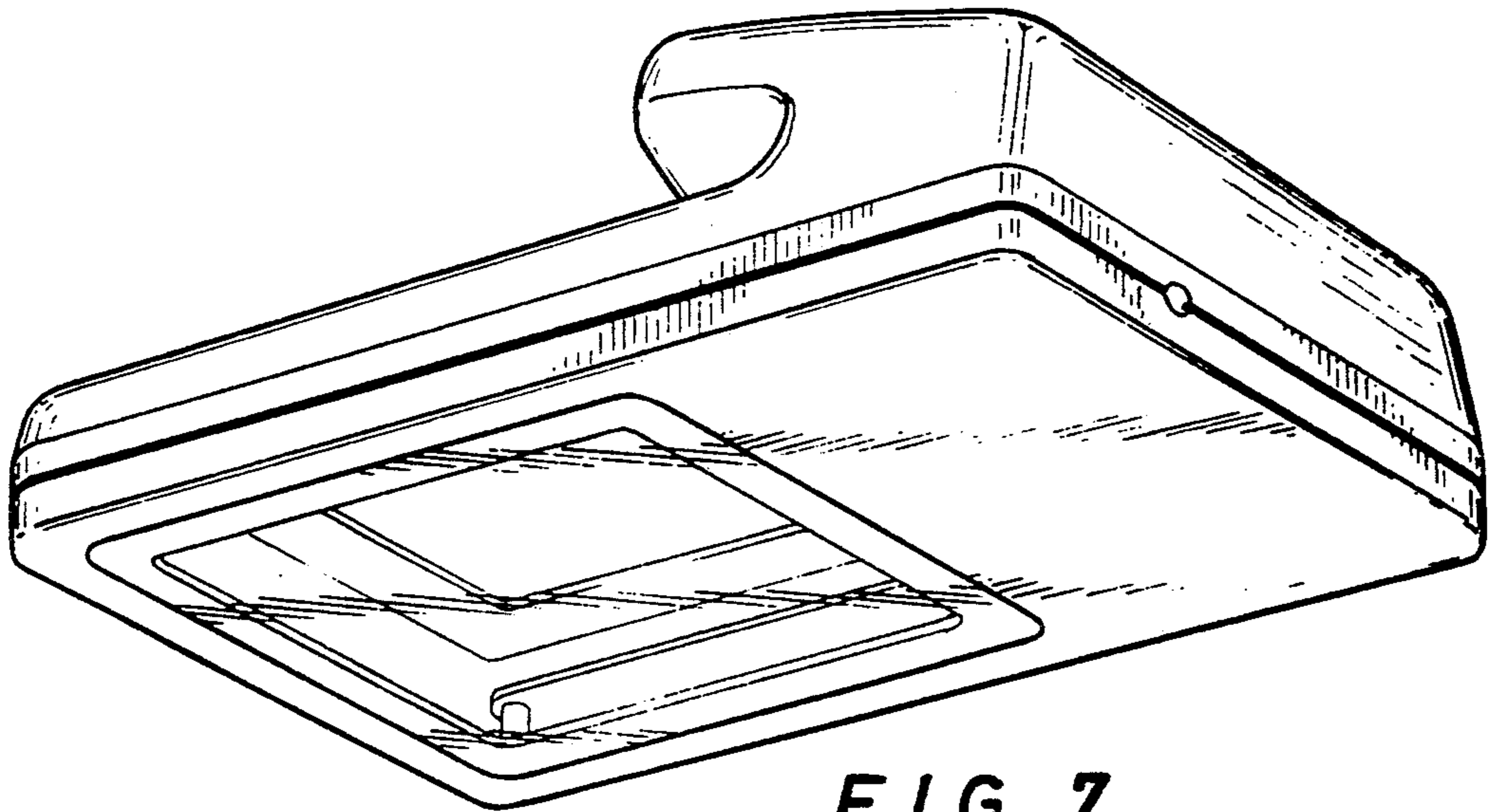


FIG. 7