



US00D328589S

# United States Patent [19]

[11] Patent Number: **Des. 328,589**

Ohkura et al.

[45] Date of Patent: **\*\* Aug. 11, 1992**

[54] **HOUSING FOR AN ELECTRICAL CONNECTOR**

2802680 8/1978 Fed. Rep. of Germany ..... 439/350  
3833120 4/1989 Fed. Rep. of Germany ..... 439/353  
0711116 8/1987 Japan ..... D13/146

[75] Inventors: **Kenji Ohkura, Hisai; Shinichi Uchida,**  
Yokkaichi, both of Japan

### OTHER PUBLICATIONS

[73] Assignee: **Sumitomo Wiring Systems, Ltd.,**  
Yokkaichi, Japan

Mate-n-lok connector assemblies on p. 6 of AMP Cat. 305-5.

Flat connentors on p. 9 of Molez Cat. M100.

[\*\*] Term: **14 Years**

*Primary Examiner*—Susan J. Lucas

*Assistant Examiner*—Joel Sincavage

*Attorney, Agent, or Firm*—Nils H. Ljungman & Associates

[21] Appl. No.: **441,398**

[22] Filed: **Nov. 22, 1989**

### [30] Foreign Application Priority Data

Jun. 9, 1989 [JP] Japan ..... 1-21425

[52] U.S. Cl. .... **D13/133**

[58] Field of Search ..... D13/133, 146, 147;  
439/271, 275, 279, 282, 293, 297, 350, 352, 353,  
357, 358, 571, 586, 587, 589, 595, 596, 598, 600,  
680, 682, 685, 686, 687, 695, 701, 724, 744, 748,  
752

### [57] CLAIM

The ornamental design for a housing for an electrical connector, as shown and described.

### DESCRIPTION

FIG. 1 is a front and upper right perspective view of a housing for an electrical connector showing our new design;

FIG. 2 is a top plan view thereof;

FIG. 3 is a front elevational view thereof;

FIG. 4 is a bottom plan view thereof;

FIG. 5 is a right side elevational view thereof, the left side elevational view thereof being a mirror image;

FIG. 6 is a rear elevational view thereof; and,

FIG. 7 is a cross-sectional view thereof taken along line 7-7 of FIG. 3.

The broken line showing of the front and rear apertures is included for the purpose of illustrating environmental elements only and forms no part of the claimed design.

### [56] References Cited

#### U.S. PATENT DOCUMENTS

D. 276,803 12/1984 Moriai et al. .... D13/147  
4,634,204 1/1987 Detter et al. .... 439/347  
4,884,978 12/1989 Inaba et al. .... 439/352  
4,900,263 2/1990 Manassero et al. .... 439/358  
4,941,839 7/1990 Nagasaka et al. .... 439/352

#### FOREIGN PATENT DOCUMENTS

0253523 8/1978 Australia ..... 439/350

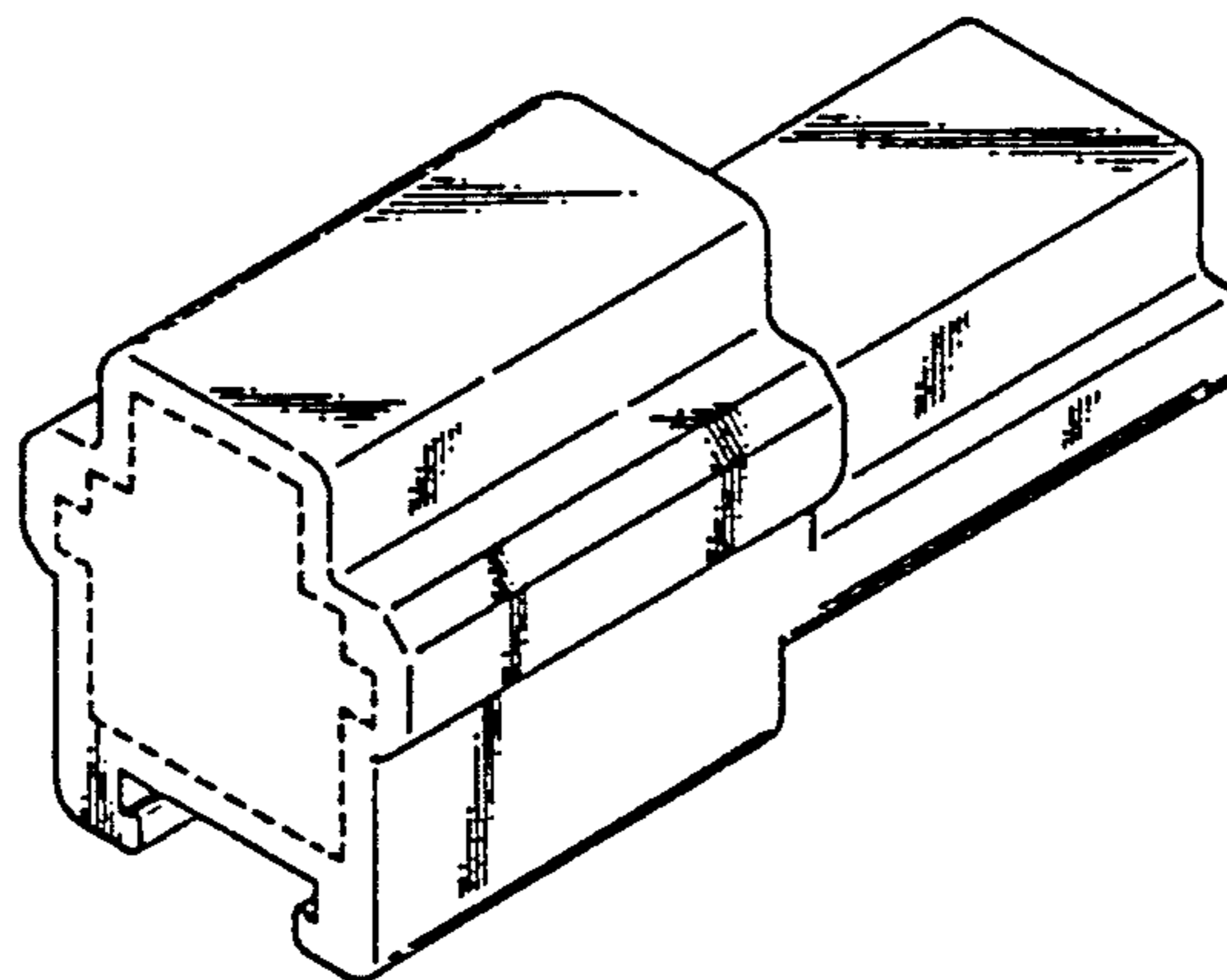


FIG. 2

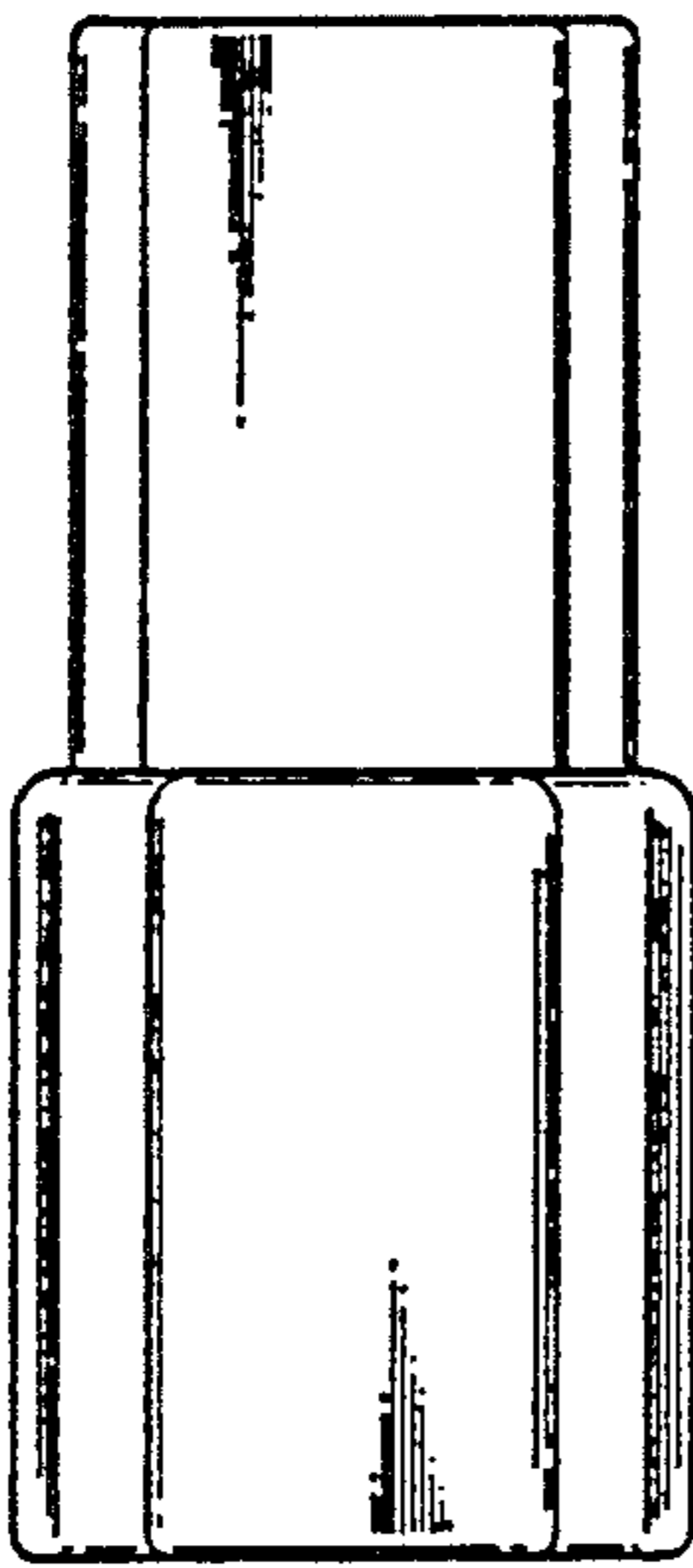


FIG. 1

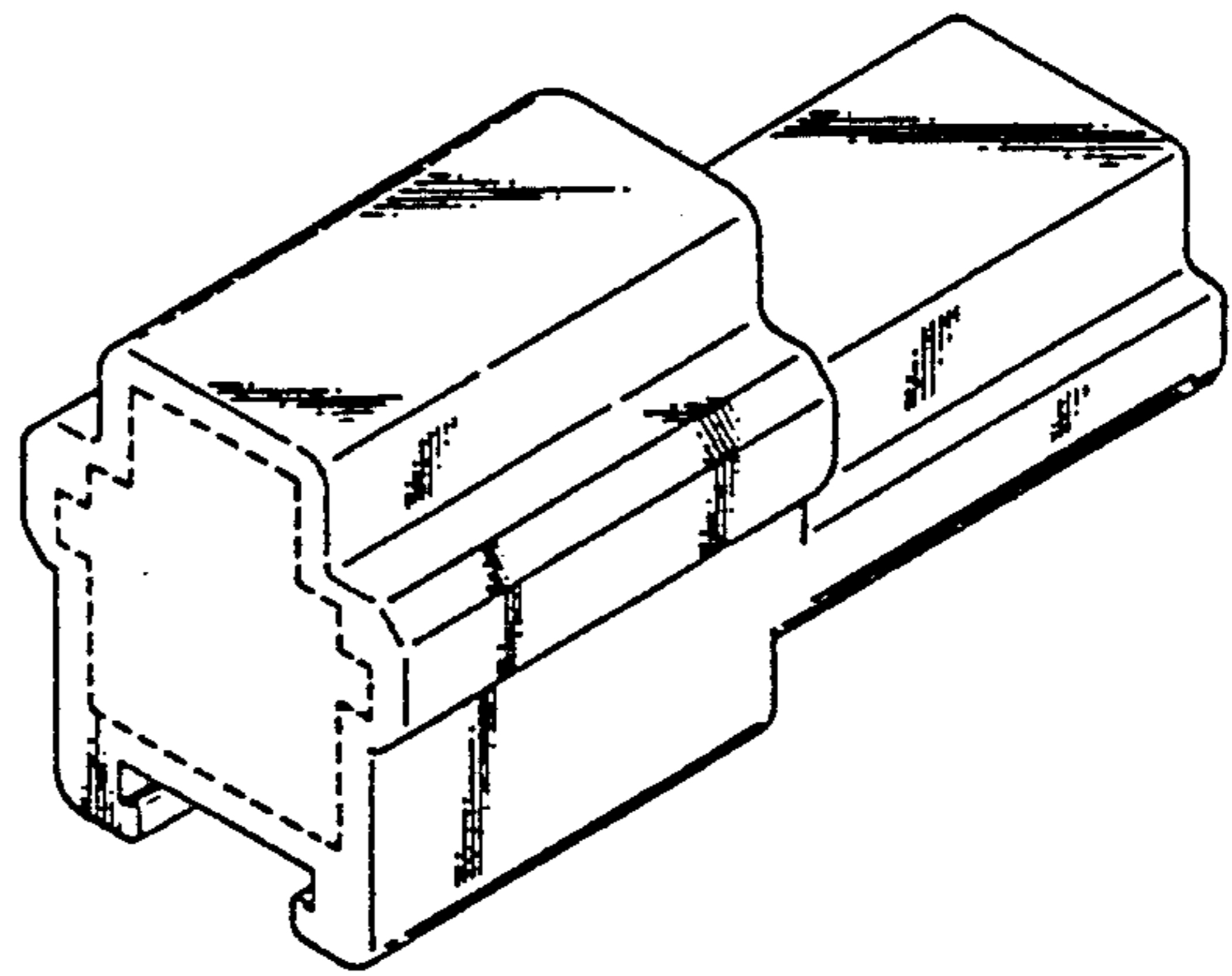


FIG. 3

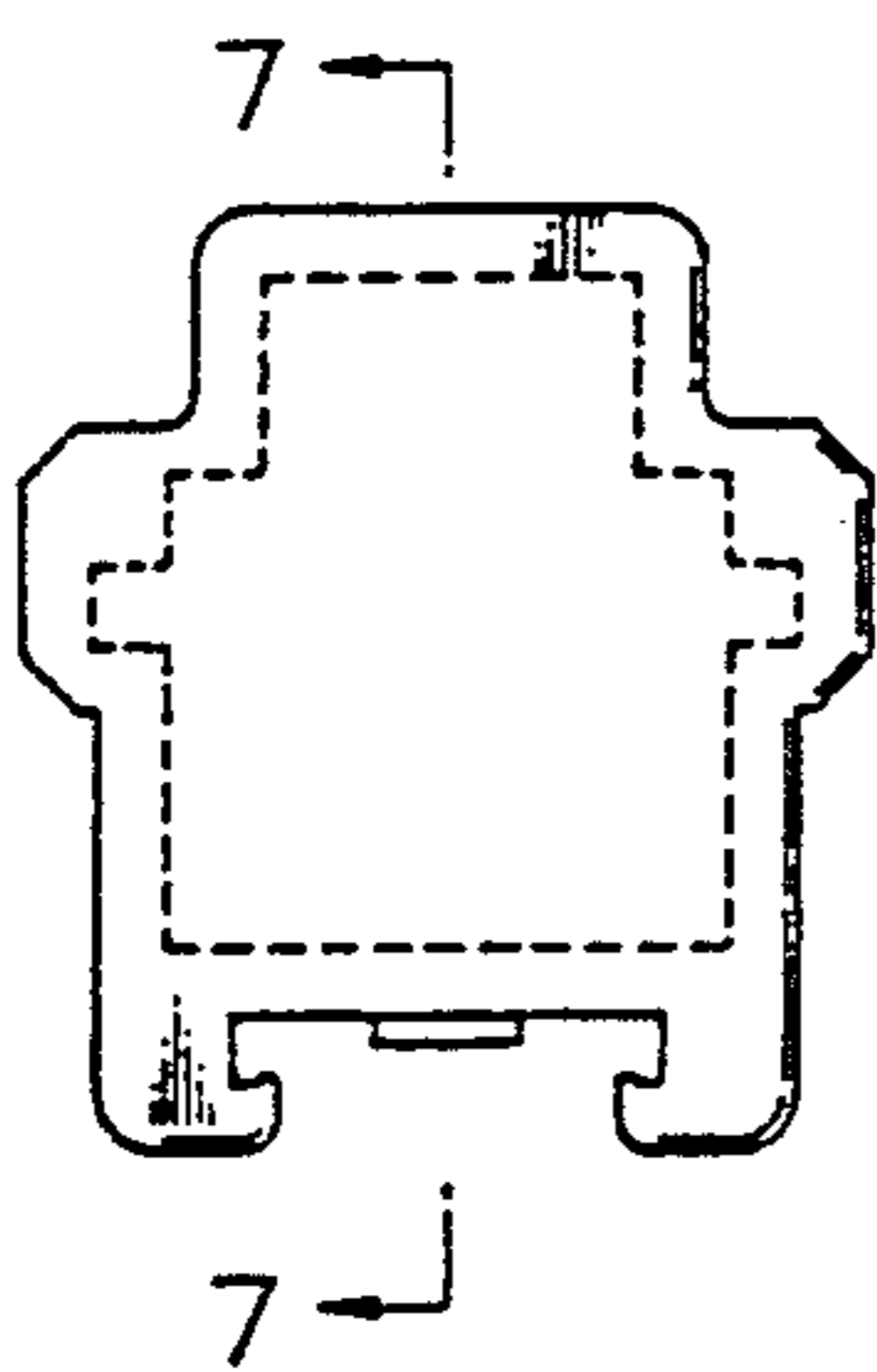


FIG. 5

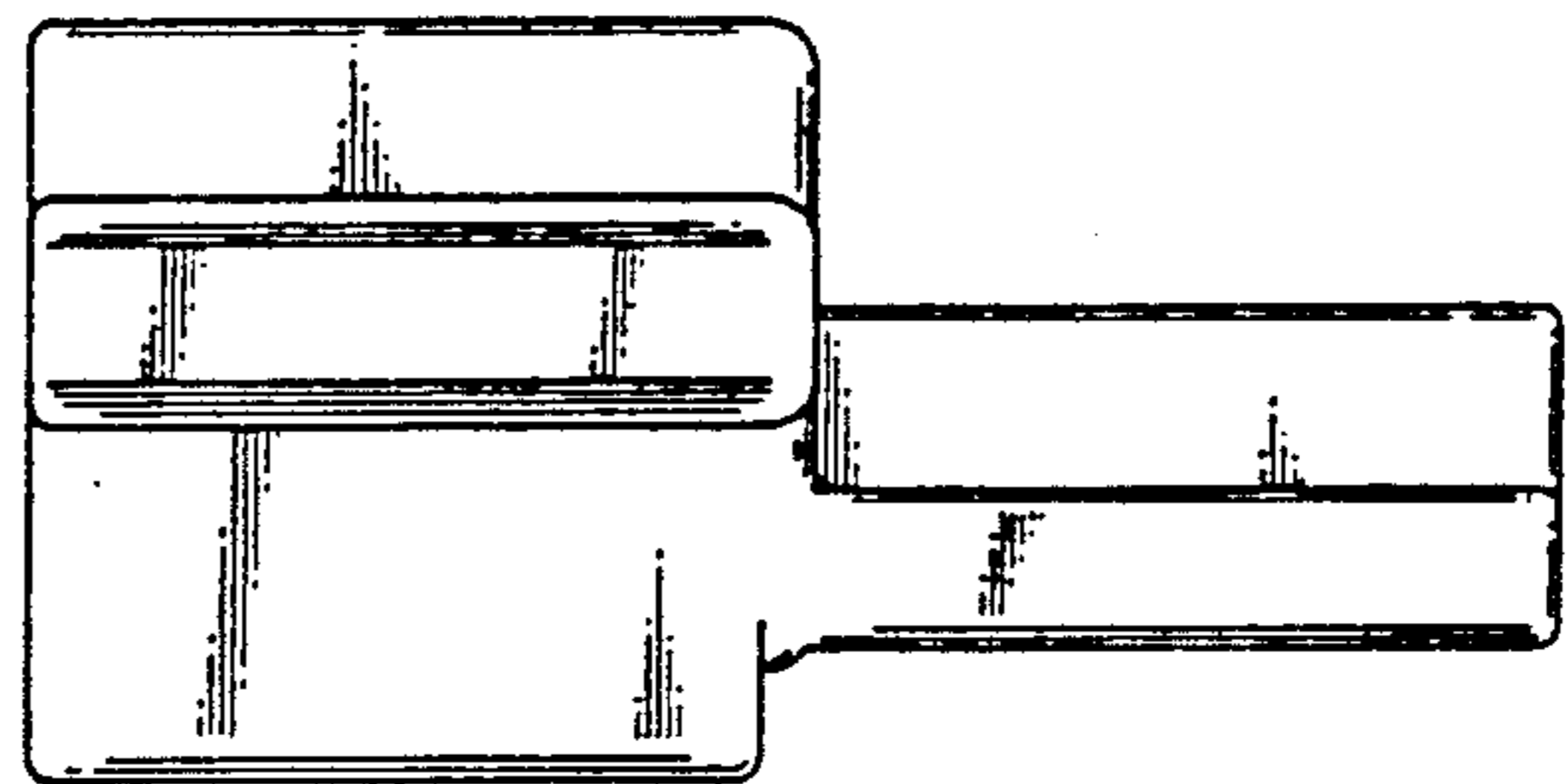


FIG. 4

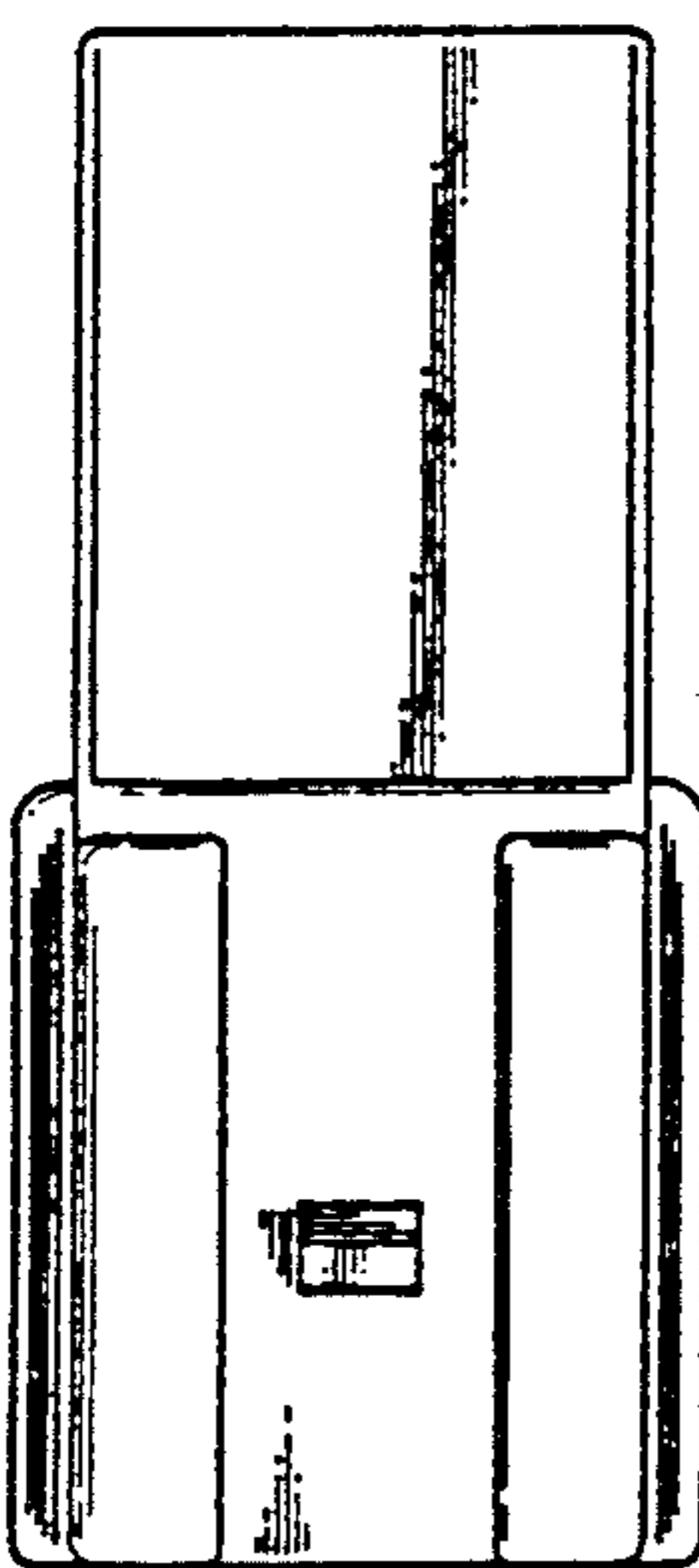


FIG. 6

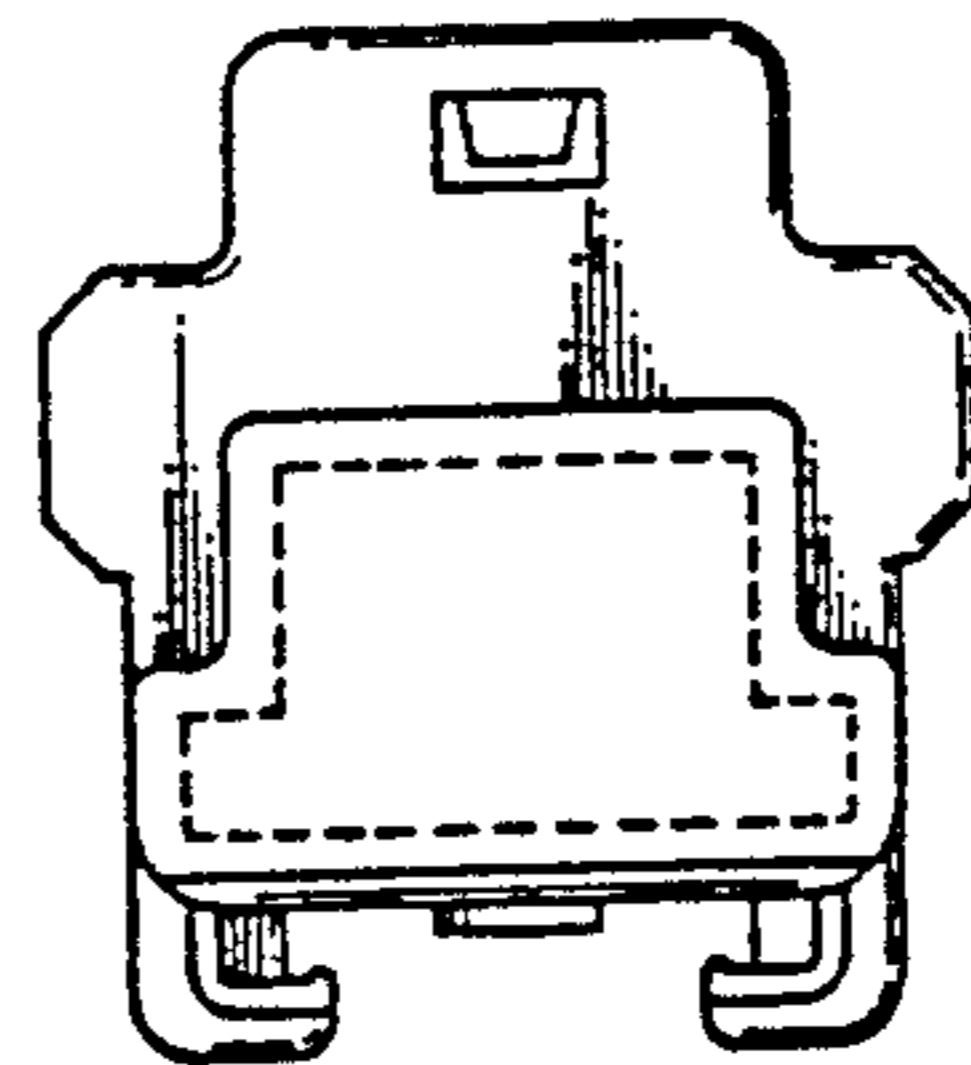


FIG. 7

