



US00D328586S

United States Patent [19]

[11] Patent Number: **Des. 328,586**

Guelfi et al.

[45] Date of Patent: **** Aug. 11, 1992**

[54] **FRONT MUDGUARD EXTERIOR SURFACE FOR AUTOMOTIVE VEHICLE**

D. 282,834 3/1986 Matsui D12/184
D. 292,903 11/1987 Otsuki D12/184
D. 294,477 3/1988 Cressoni D12/184

[76] Inventors: **Giorgio Guelfi**, Via Medardo Rosso, 16 - Milan; **Franco Mendicino**, Via Mazzini, 15 - Arese, Milan; **Renato Pasquali**, Via Roma, 89 - Garbagnate, Milan, all of Italy

OTHER PUBLICATIONS

Road & Track, Oct. 1984, p. 34, front mudguard of Alfa Romeo 90 automobile bottom left side of page.
Car & Driver, Feb. 1986, p. 29, front mudguard of Alfa Romeo 164 automobile center of page.

[**] Term: **14 Years**

Primary Examiner—James M. Gandy
Attorney, Agent, or Firm—Charles A. Brown

[21] Appl. No.: **18,984**

[57] CLAIM

[22] Filed: **Feb. 25, 1987**

The ornamental design for a front mudguard exterior surface for automobile vehicle, as shown.

[52] U.S. Cl. **D12/184**

[58] Field of Search D12/184; 280/152 R, 280/153 R

DESCRIPTION

[56] References Cited

FIG. 1 is a side elevation view of a front mudguard exterior surface showing our new design; FIG. 2 is a top plan view thereof; and, FIG. 3 is a left-side elevation view thereof.

U.S. PATENT DOCUMENTS

D. 240,914 8/1976 Wilsgaard D12/184

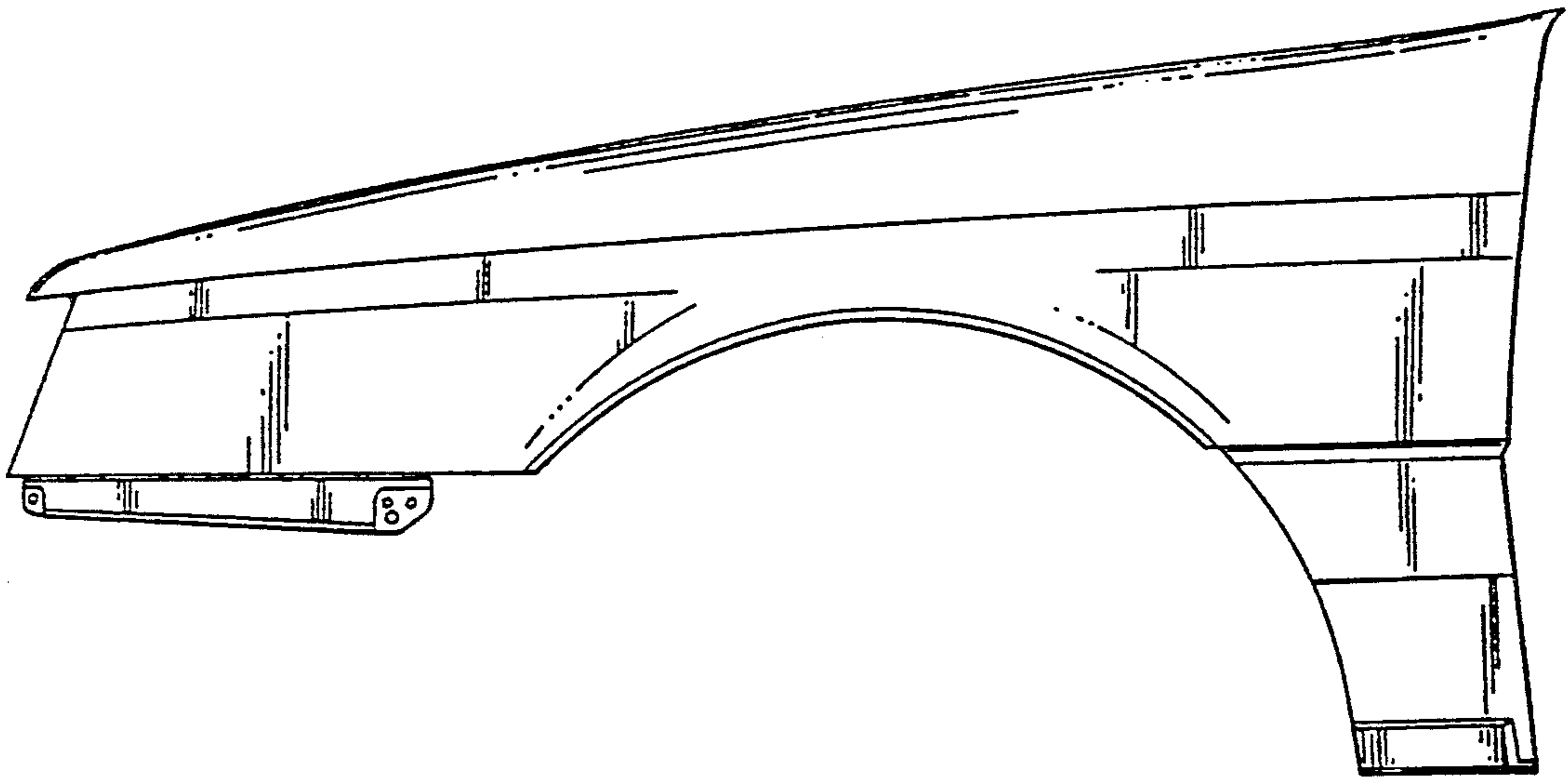


Fig.1

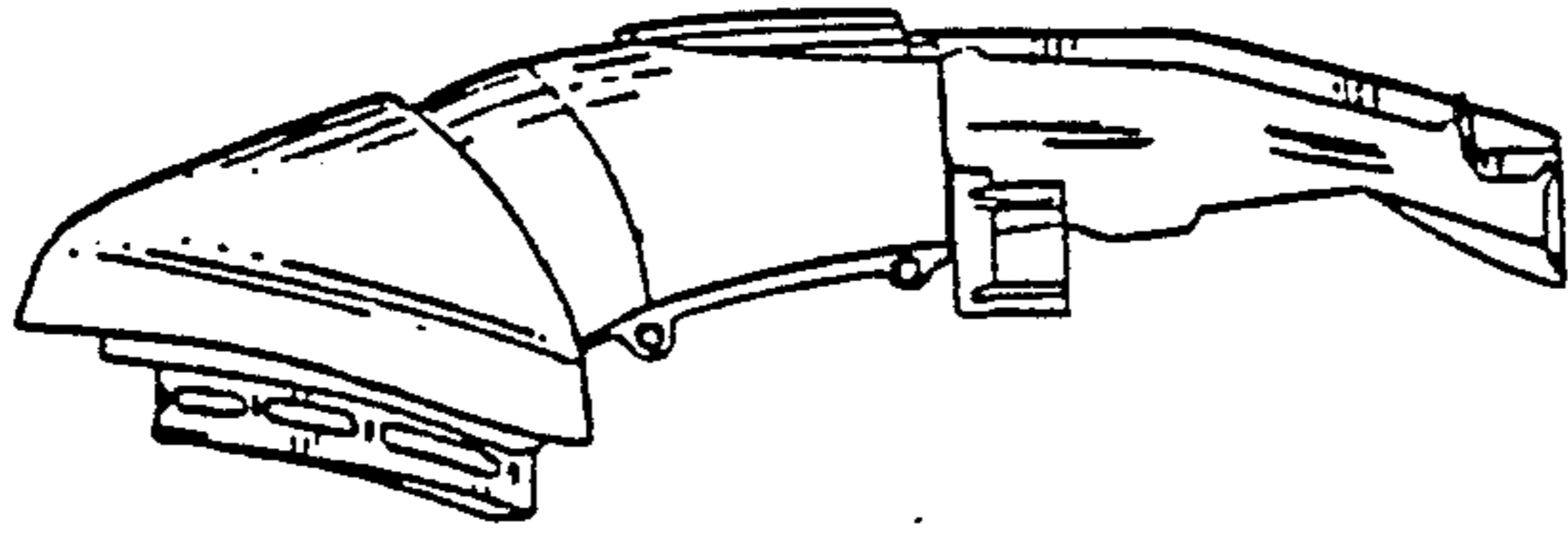
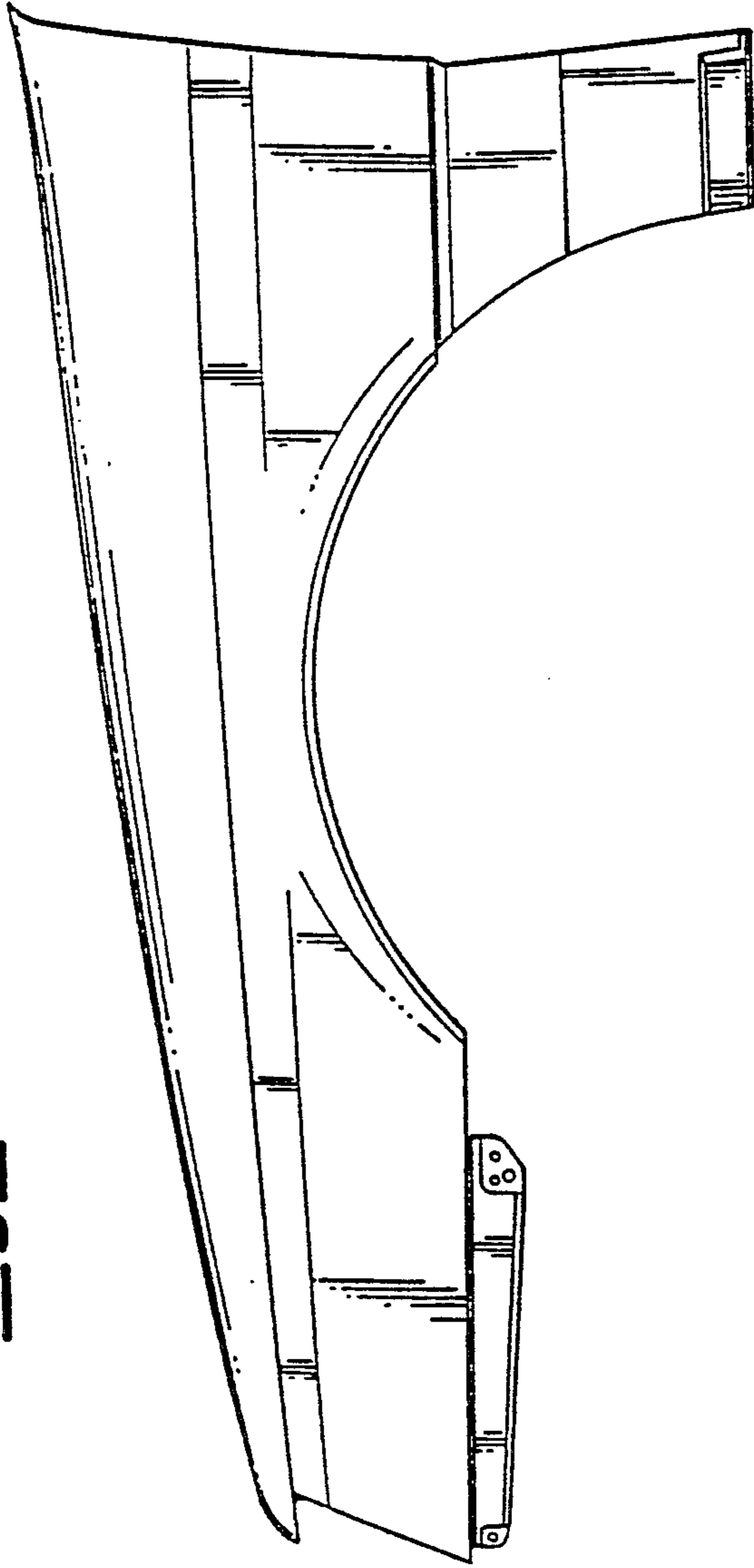


Fig.3

Fig.2

