



US00D328577S

United States Patent [19]

Goergen et al.

[11] Patent Number: **Des. 328,577**

[45] Date of Patent: **** Aug. 11, 1992**

[54] **PNEUMATIC TIRE TREAD AND BUTTRESS**

[75] Inventors: **René Goergen**, Colmar-Berg, Luxembourg; **Richard Heinen**, Habay-La-Neuve; **Claude Lardo**, Walzing, both of Belgium

[73] Assignee: **The Goodyear Tire & Rubber Company**, Akron, Ohio

[**] Term: **14 Years**

[21] Appl. No.: **521,475**

[22] Filed: **May 10, 1990**

[30] **Foreign Application Priority Data**

Nov. 14, 1989 [XB] Benelux 64947/00

[52] U.S. Cl. **D12/143; D12/146**

[58] Field of Search **D12/141-143, D12/145-151; 152/209 R, 209 B, 209 D**

[56] **References Cited**

U.S. PATENT DOCUMENTS

D. 287,706 1/1987 Takeuchi D12/146

D. 288,190 2/1987 Hayakawa D12/147
D. 294,815 3/1988 Nagayasu D12/147
D. 300,017 2/1989 Cottrell D12/147
D. 312,603 12/1990 Yarborough D12/146

Primary Examiner—James M. Gandy
Attorney, Agent, or Firm—T. P. Lewandowski

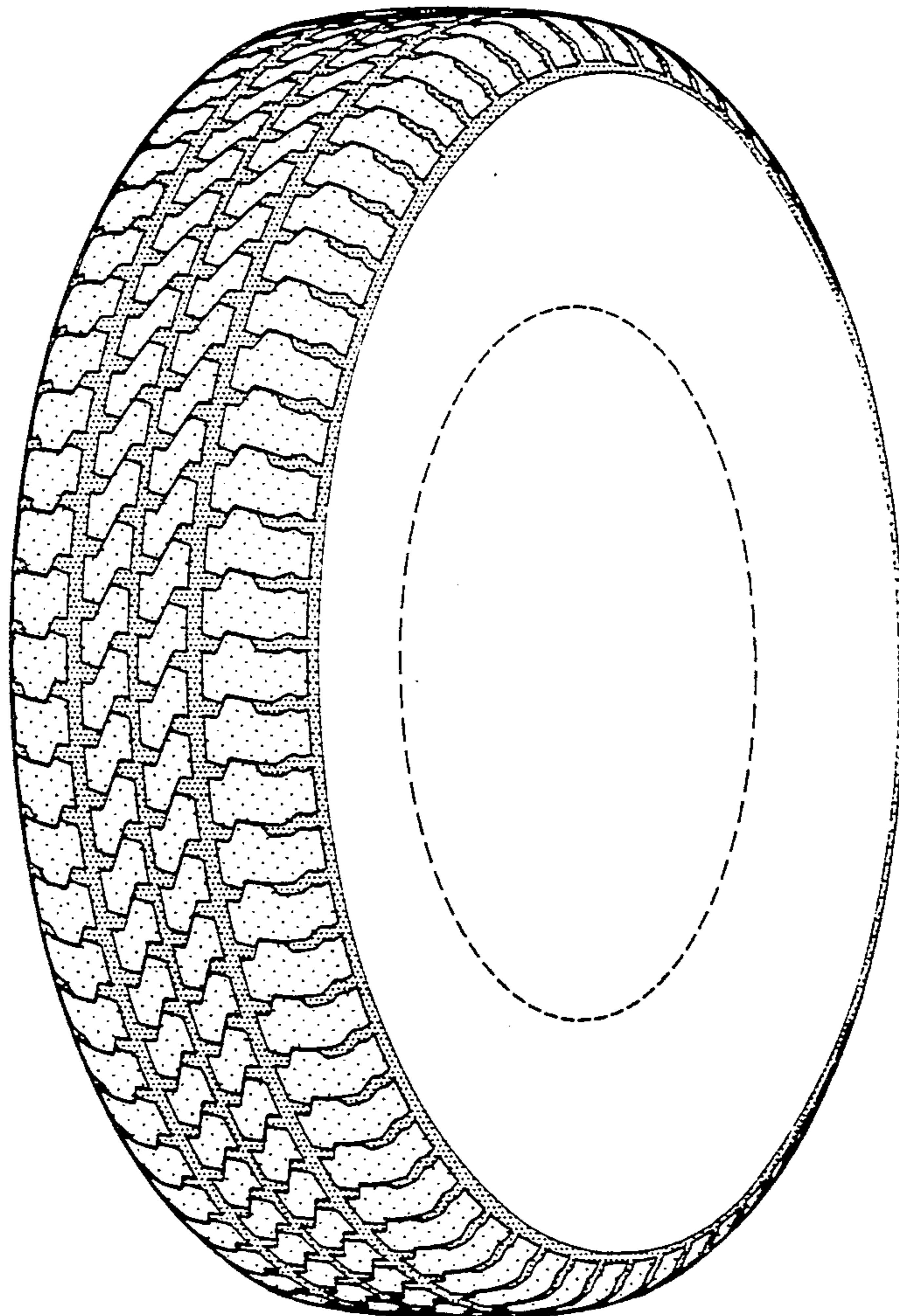
[57] **CLAIM**

The ornamental design for a pneumatic tire tread and buttress, as shown and described.

DESCRIPTION

FIG. 1 is a front elevation view of a pneumatic tire tread and buttress showing our new design, it being understood that the pattern is repeated uniformly throughout the circumference of the tread and buttress; FIG. 2 is a perspective view thereof; and, FIG. 3 is a side elevation view thereof on a reduced scale, the opposite side being a mirror image of that shown.

The broken line showing of environmental structure in FIGS. 2 and 3 of the drawing is for illustrative purposes only and forms no part of the claimed design.



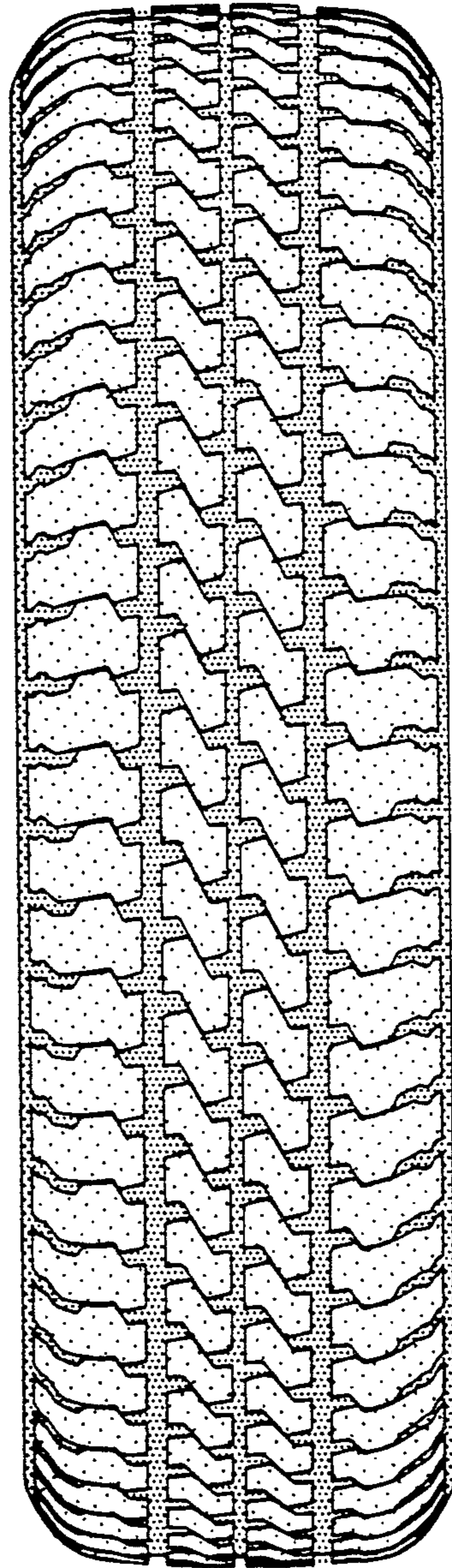


FIG-1

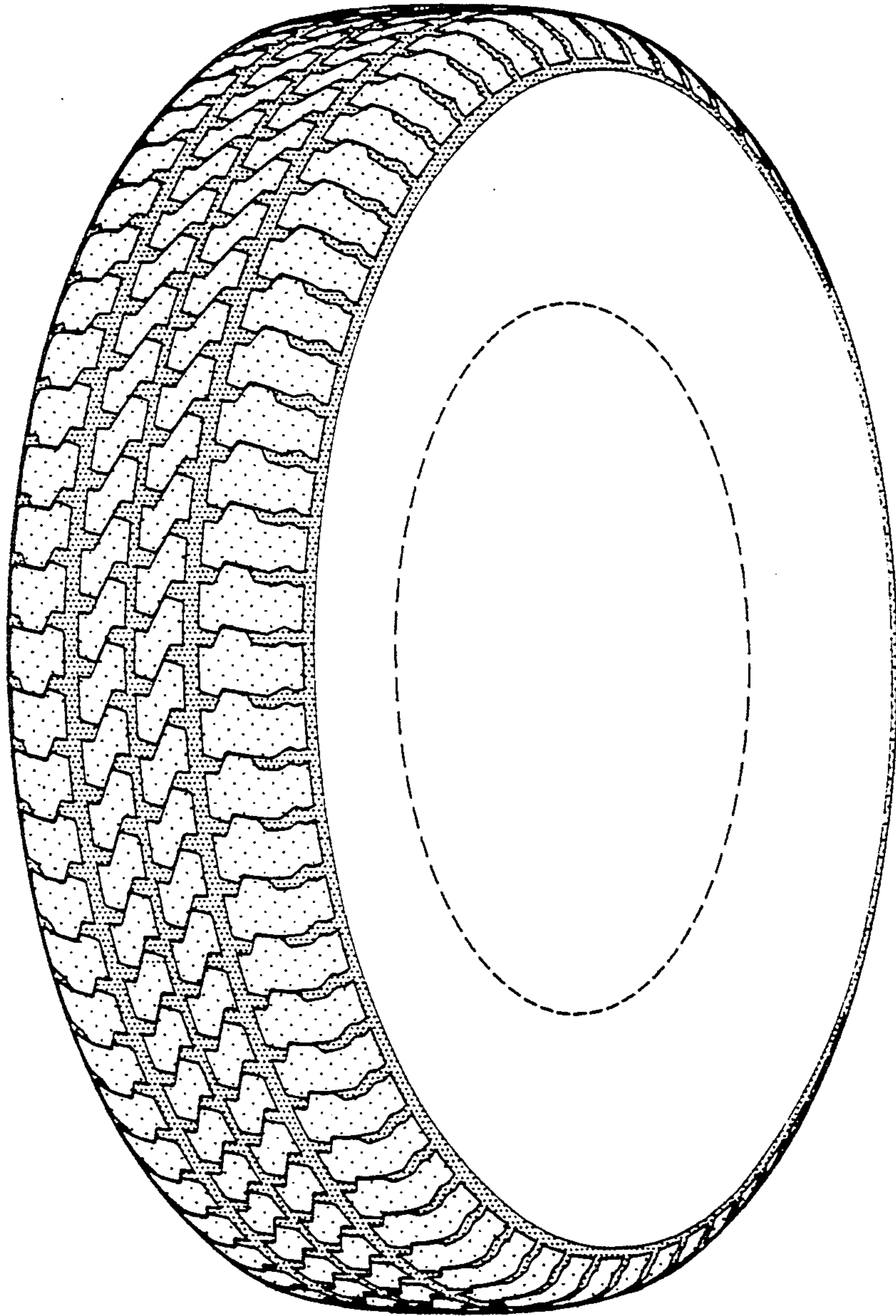


FIG-2

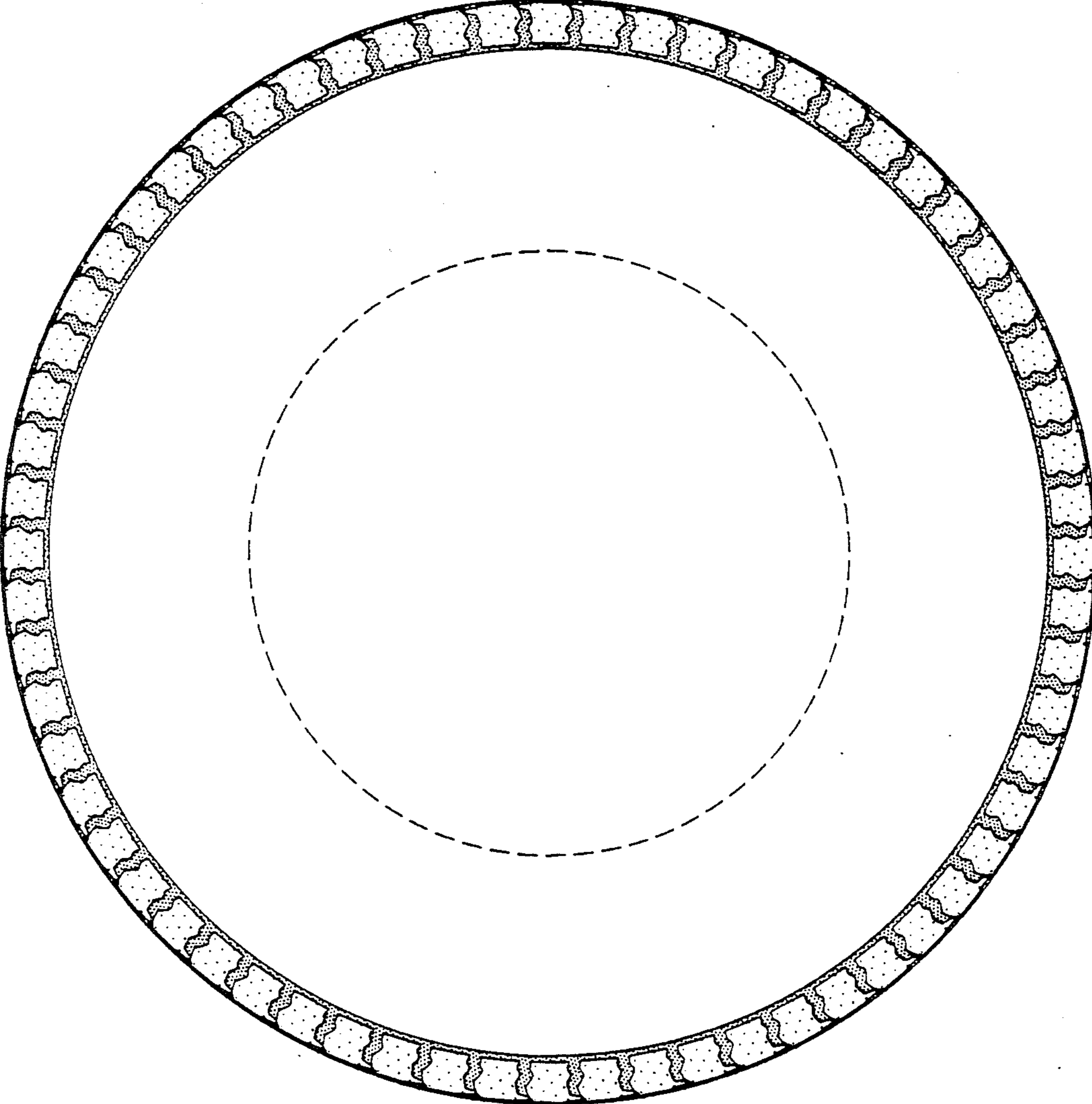


FIG-3