



US00D328576S

# United States Patent [19]

[11] Patent Number: **Des. 328,576**

Weiss

[45] Date of Patent: **\*\* Aug. 11, 1992**

[54] SLED

### FOREIGN PATENT DOCUMENTS

[76] Inventor: **Joshua L. Weiss**, 6611 N. Central Ave., Phoenix, Ariz. 85012

1517699 2/1968 France ..... D12/9

[\*\*] Term: **14 Years**

### OTHER PUBLICATIONS

[21] Appl. No.: **620,525**

The Torpedo phamplet, the Torpedo trailer sleigh No. 102, p. 5.

[22] Filed: **Nov. 29, 1990**

*Primary Examiner*—Wallace R. Burke  
*Assistant Examiner*—Melody Brown  
*Attorney, Agent, or Firm*—Harry M. Weiss

[52] U.S. Cl. .... **D12/9**

### [57] CLAIM

[58] Field of Search ..... **D12/9, 6, 10, 11; 280/12.1, 12.11, 12.12, 12 R**

The ornamental design for a sled, as shown and described.

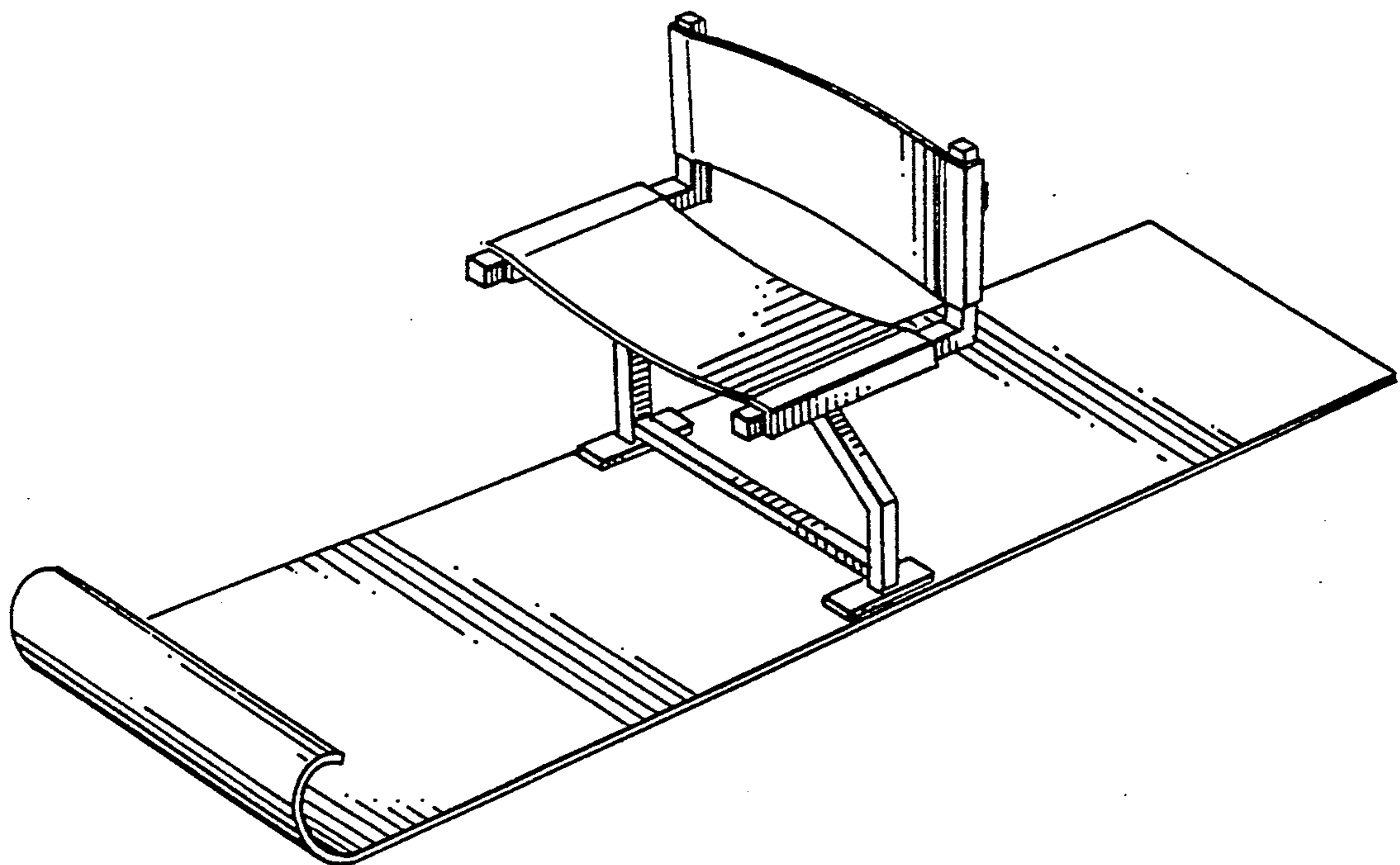
### [56] References Cited

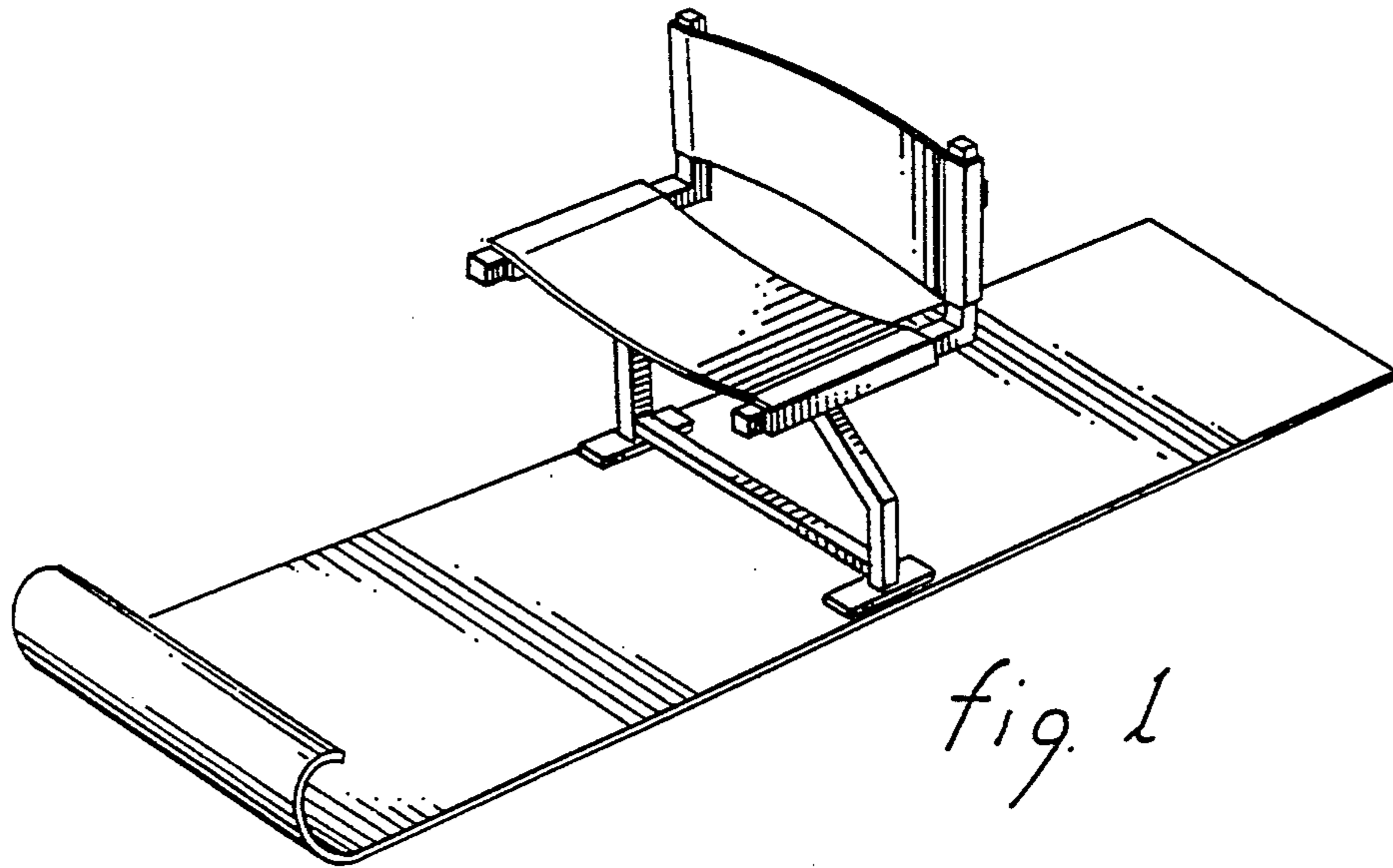
### DESCRIPTION

#### U.S. PATENT DOCUMENTS

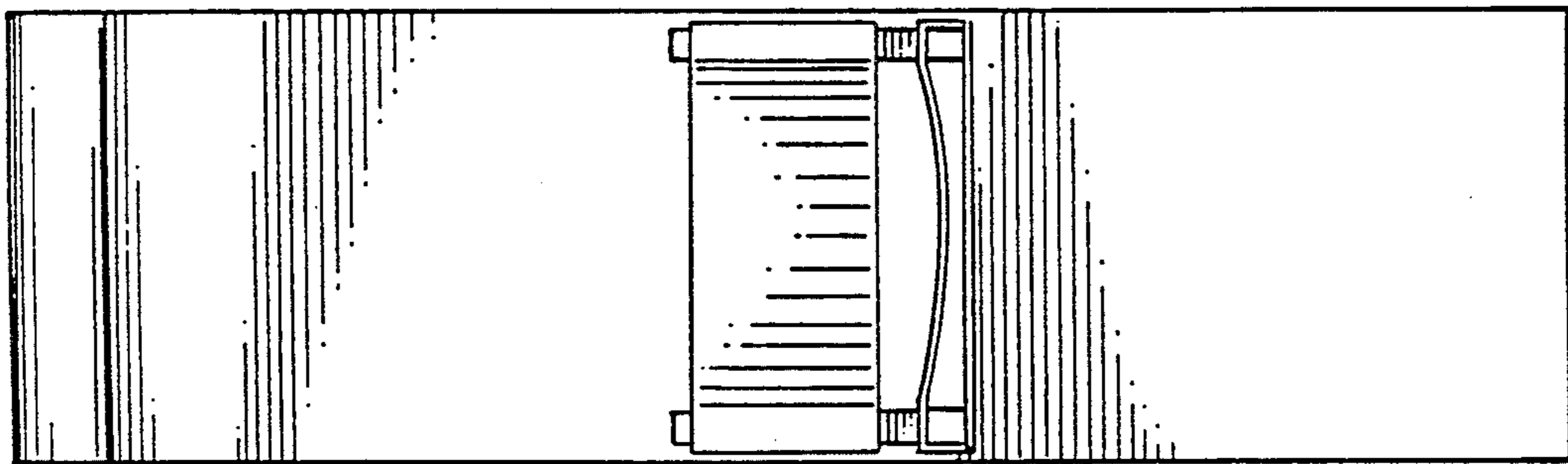
D. 139,386	11/1944	Worden	.....	D12/11
D. 305,312	1/1990	Wright	.....	D12/9
1,340,733	5/1920	Nussbaum	.....	280/12.1
1,499,037	6/1924	Tatosian	.....	280/12.1
3,033,585	5/1962	Marston et al.	.....	D12/9
3,799,564	3/1974	Eisenschmid	.....	280/12 R

FIG. 1 is a perspective view of a sled showing my new design;  
FIG. 2 is a top plan view thereof;  
FIG. 3 is a right side elevational view thereof, the left side is a mirror image of that shown;  
FIG. 4 is a bottom plan view thereof; and,  
FIG. 5 is a rear elevation view thereof.

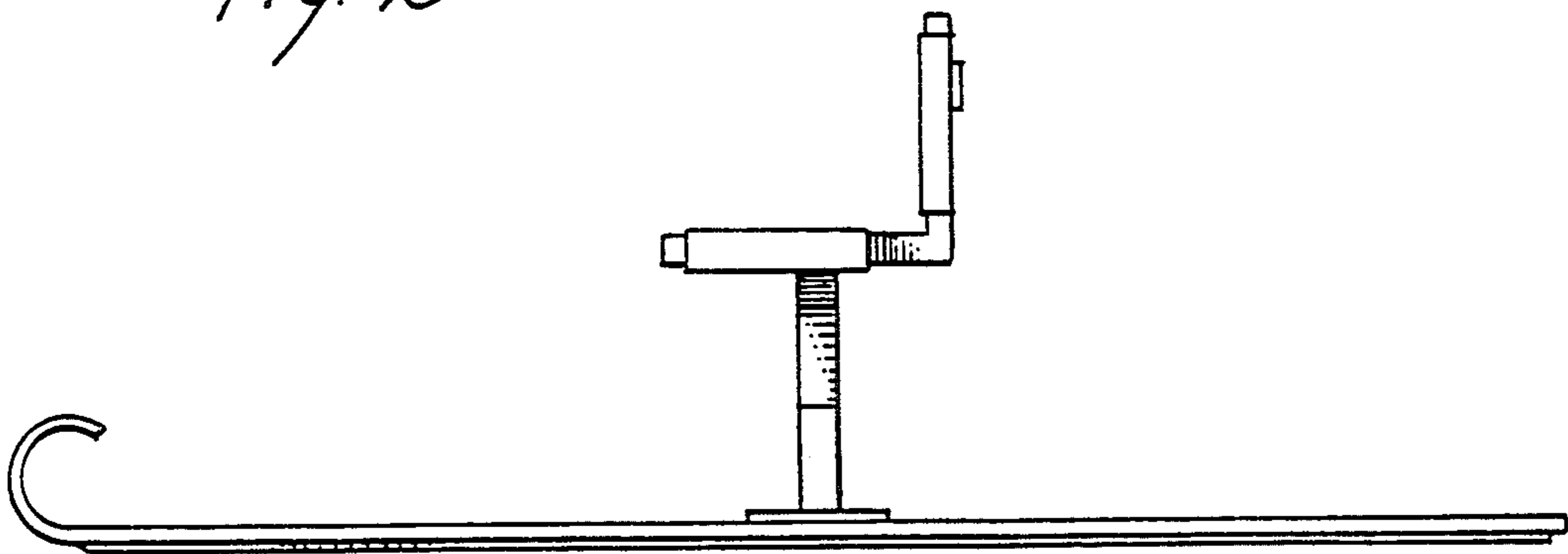




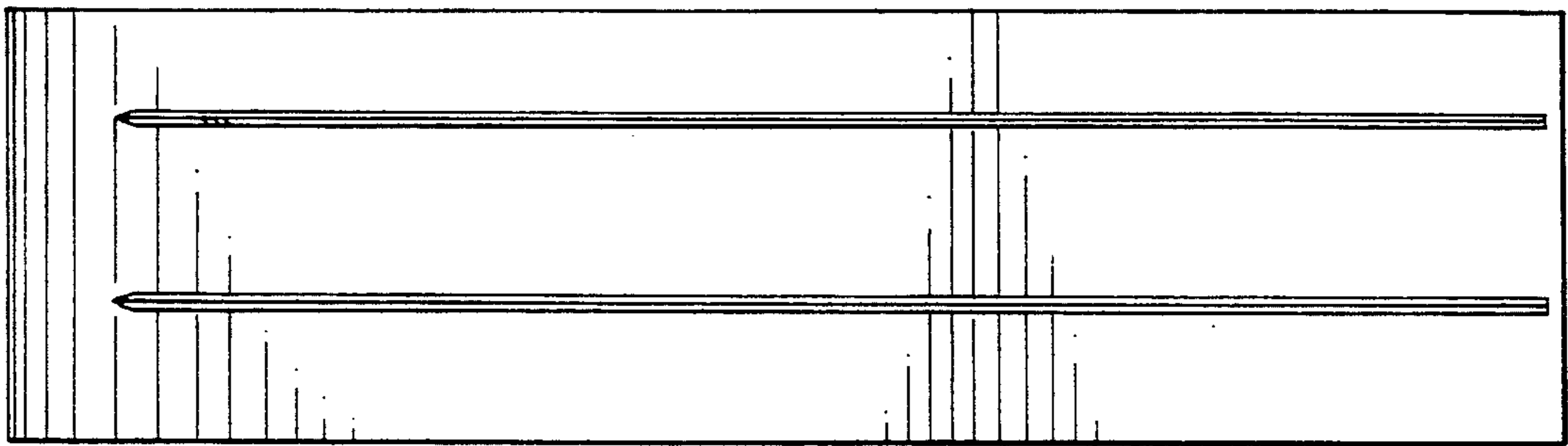
*fig. 1*



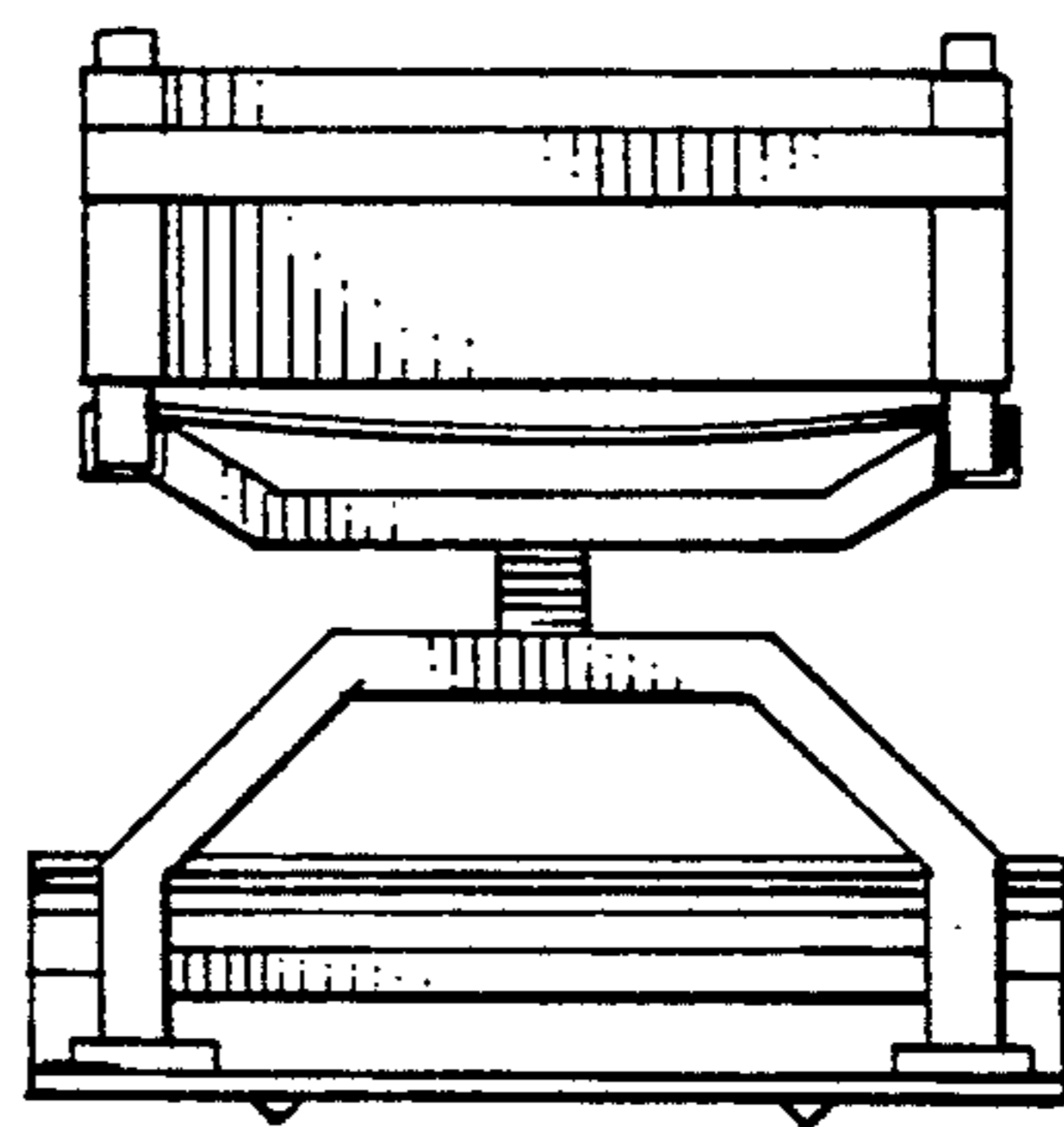
*fig. 2*



*fig. 3*



*fig. 4*



*fig. 5*