



US00D328573S

# United States Patent [19]

[11] Patent Number: **Des. 328,573**

**Berry**

[45] Date of Patent: **\*\* Aug. 11, 1992**

[54] TABLE TOP NOVELTY

1,523,188 1/1925 Flood ..... 434/148 X  
3,010,224 11/1961 Roberts ..... D11/131 X

[76] Inventor: **Viga Berry**, 165 N. Waters Edge Dr.,  
Glendale Heights, Ill. 60139

*Primary Examiner*—Bernard Ansher  
*Assistant Examiner*—Dominic Simone  
*Attorney, Agent, or Firm*—Douglas B. White

[\*\*] Term: **14 Years**

[21] Appl. No.: **519,664**

[57] **CLAIM**

[22] Filed: **May 7, 1990**

The ornamental design for a table top novelty, as shown and described.

[52] U.S. Cl. .... **D11/157; D11/131; D19/61**

**DESCRIPTION**

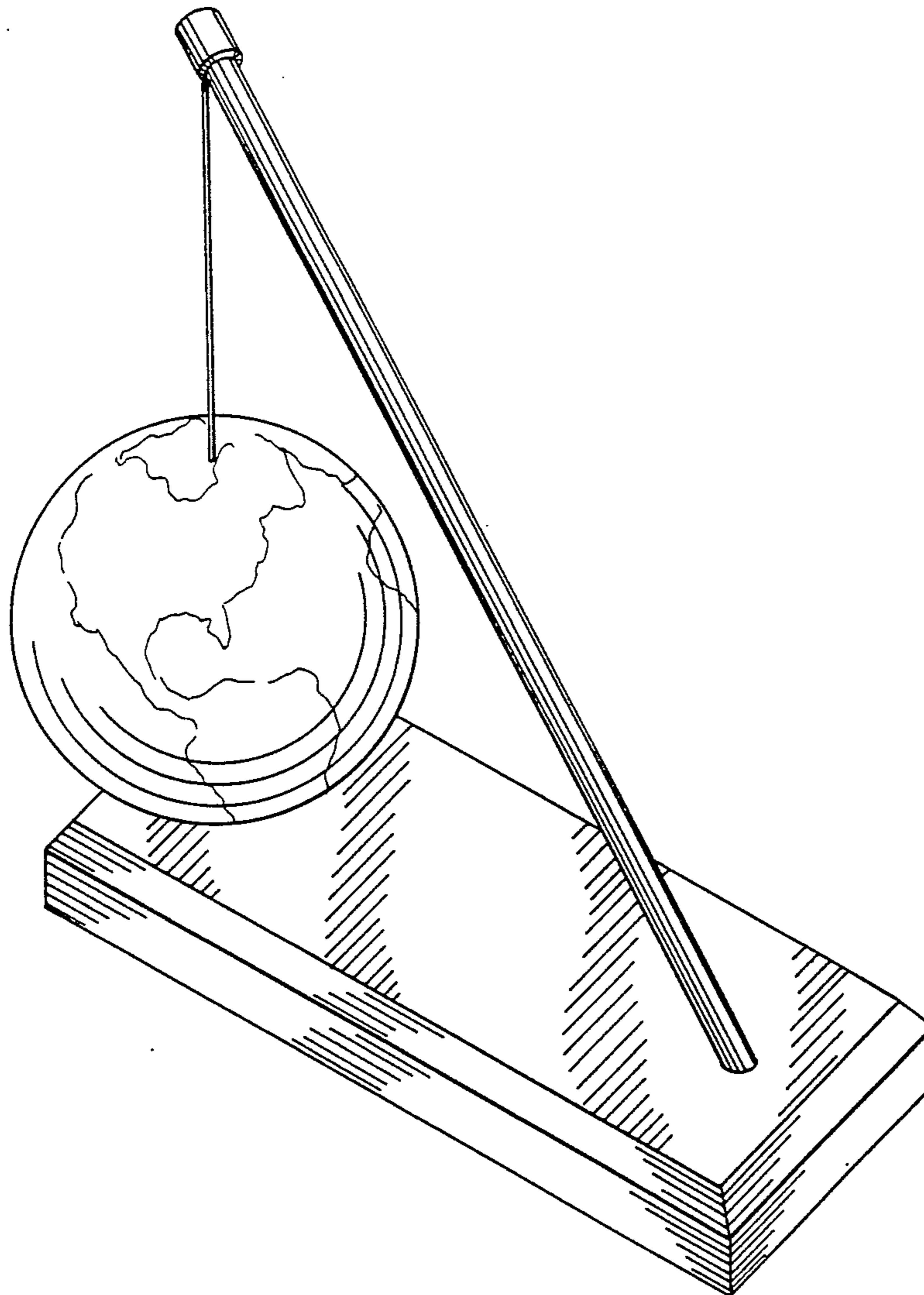
[58] Field of Search ..... **D11/131, 157, 160, 166; D26/38, 47, 125; D19/61; 434/148**

FIG. 1 is a perspective view of a table top novelty showing my new design;  
FIG. 2 is a reduced right side view thereof, the left side being a mirror image;  
FIG. 3 is a reduced rear view thereof;  
FIG. 4 is a reduced front view thereof;  
FIG. 5 is a reduced top view thereof; and,  
FIG. 6 is a reduced bottom view thereof.

[56] **References Cited**

**U.S. PATENT DOCUMENTS**

D. 110,211 6/1938 Fisker ..... D11/160  
D. 200,146 1/1965 Mudrinich ..... D11/166 X  
D. 254,662 4/1980 Lucas et al. .... D11/157



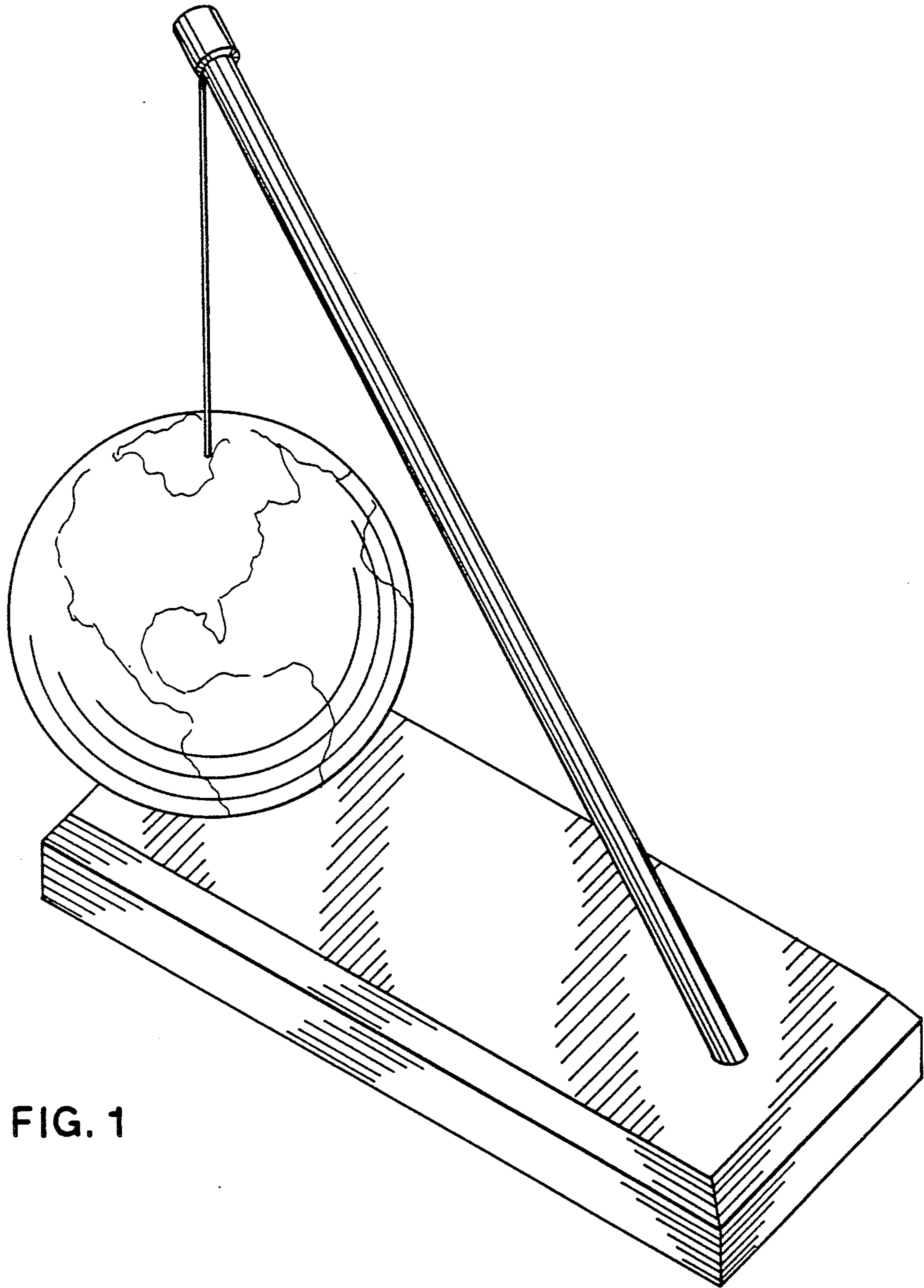


FIG. 1

