



US00D328567S

United States Patent [19]

[11] Patent Number: **Des. 328,567**

Berry

[45] Date of Patent: **** Aug. 11, 1992**

[54] CONTAINER PLUG

2,114,925	4/1938	Kaneshige	215/306
2,705,955	4/1955	Nesset et al.	215/306 X
3,407,956	10/1968	Linkletter et al.	215/306
4,203,524	5/1980	Wieland	215/306 X

[76] Inventor: **Gilbert R. Berry**, 10161 Citrus Ave., Fontana, Calif. 92335

[**] Term: **14 Years**

Primary Examiner—Bernard Ansher
Assistant Examiner—Dominic Simone
Attorney, Agent, or Firm—Georges A. Maxwell

[21] Appl. No.: **572,781**

[22] Filed: **Aug. 21, 1990**

[57] **CLAIM**

[52] U.S. Cl. **D9/439; D9/446**

The ornamental design for container plug, as shown and described.

[58] Field of Search **D9/435, 439, 443, 446, D9/445; 215/295, 296, 306, 355**

[56] **References Cited**

DESCRIPTION

U.S. PATENT DOCUMENTS

D. 53,182	4/1919	Roberts	D9/445
D. 155,144	9/1949	Fuller	D9/443
D. 174,205	3/1955	Ward	D9/446
D. 228,887	10/1973	Gedell	D9/439
1,650,517	11/1927	Hughes	215/306 X

FIG. 1 is a top, rear isometric view of a container plug showing my new design;
FIG. 2 is a left side elevational view thereof, the right side being a mirror image;
FIG. 3 is a rear elevational view thereof;
FIG. 4 is a front elevational view thereof; and,
FIG. 5 is a bottom plan view thereof.

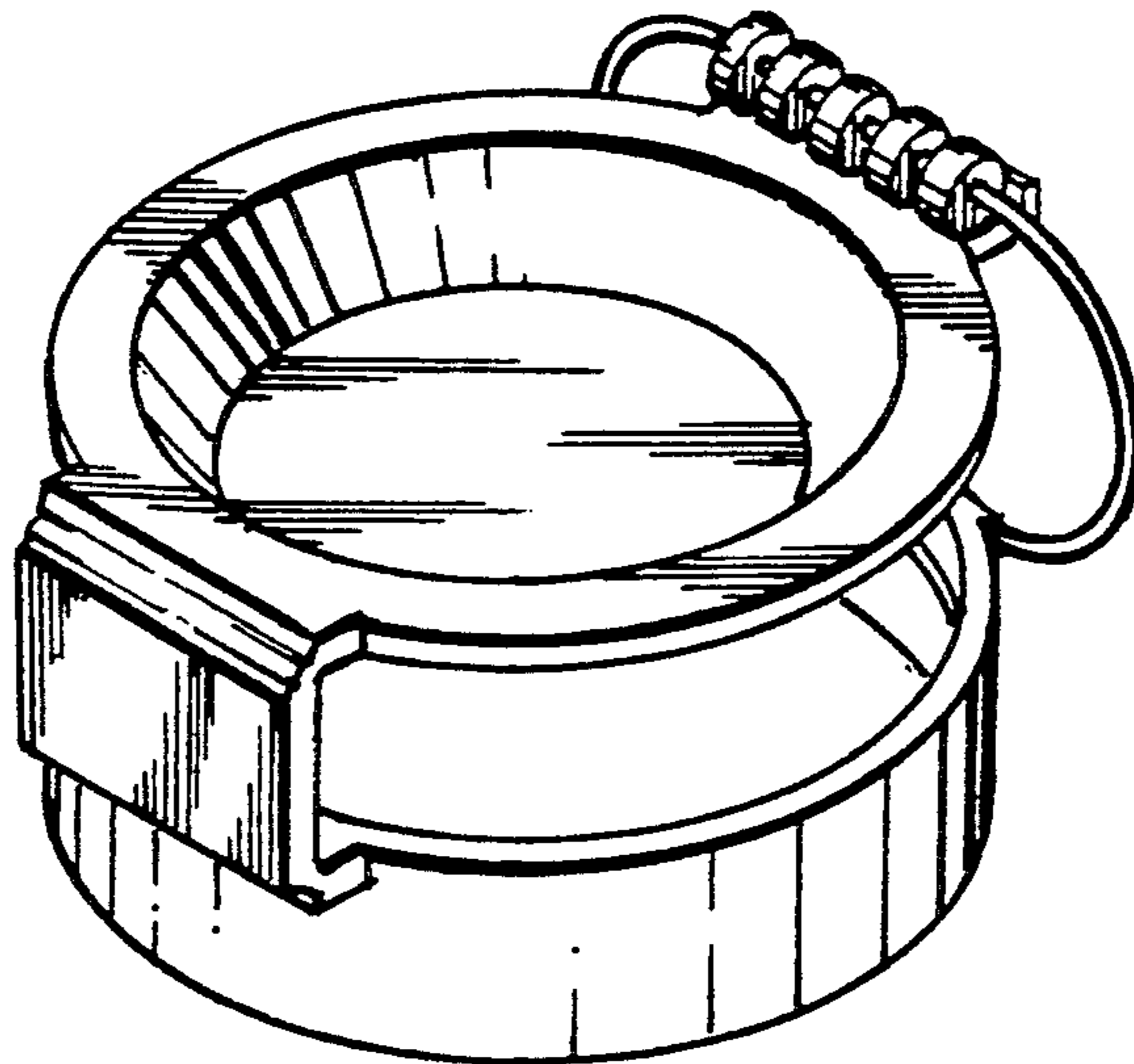


Fig. 1.

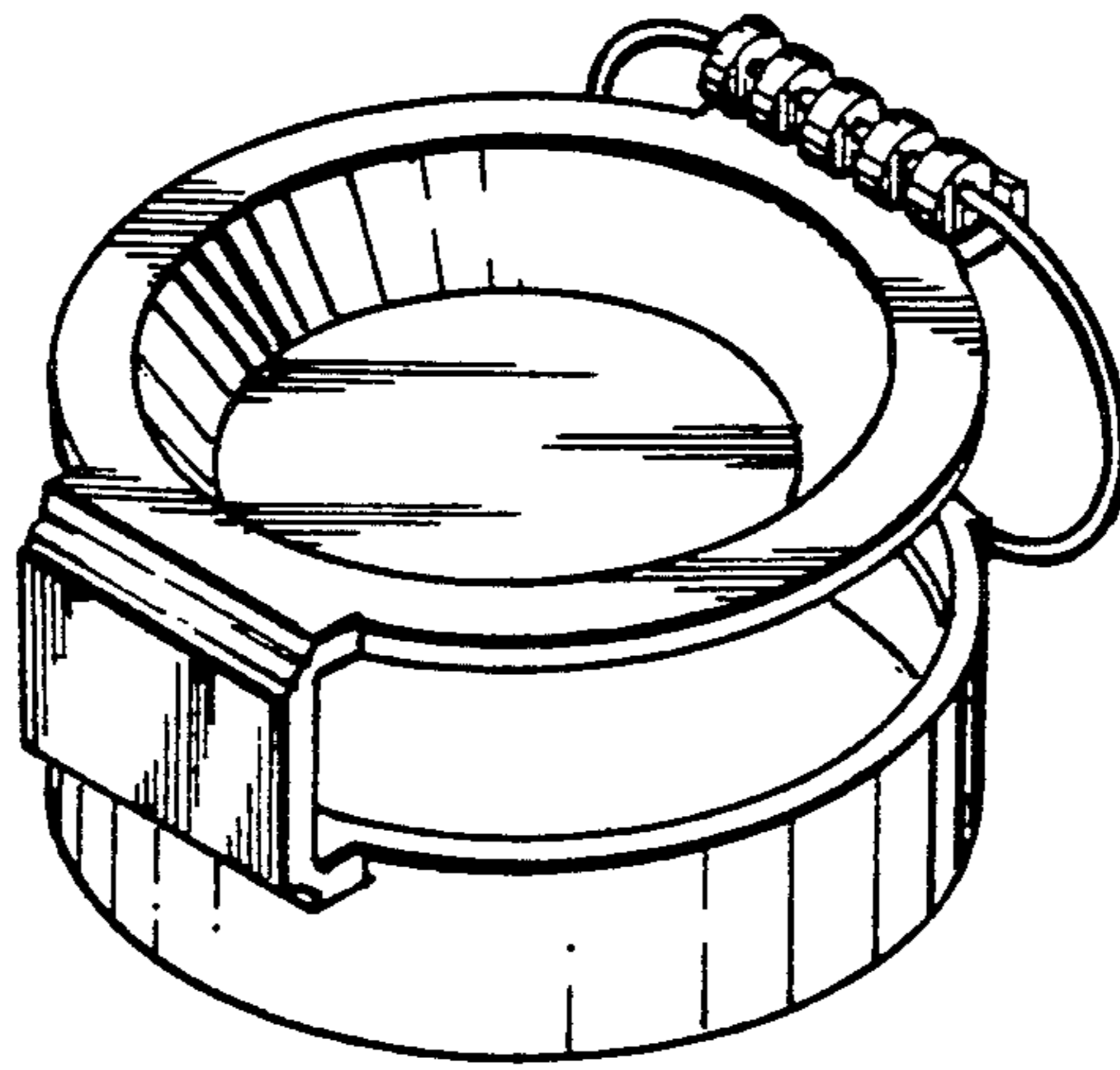


Fig. 2.

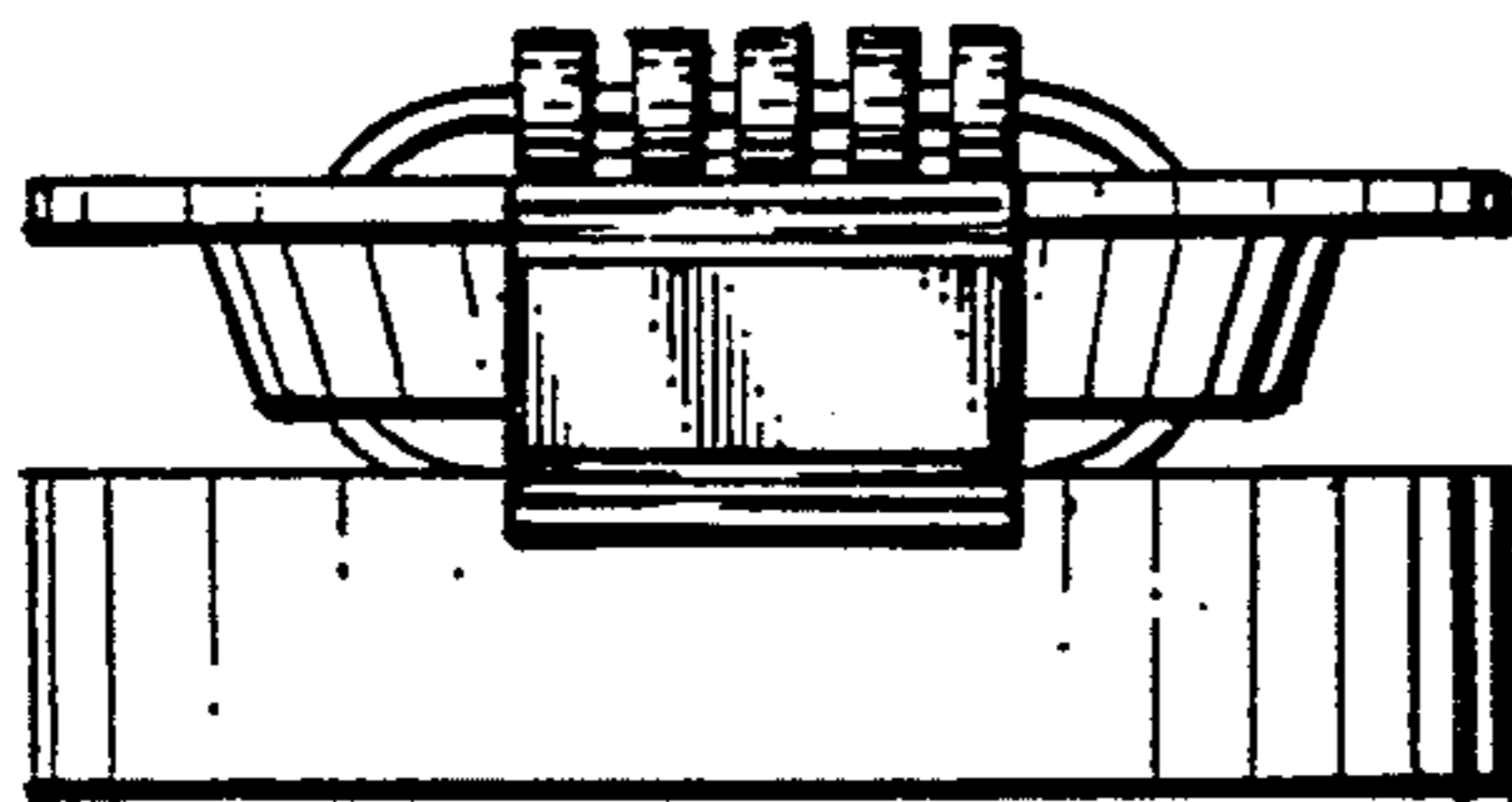
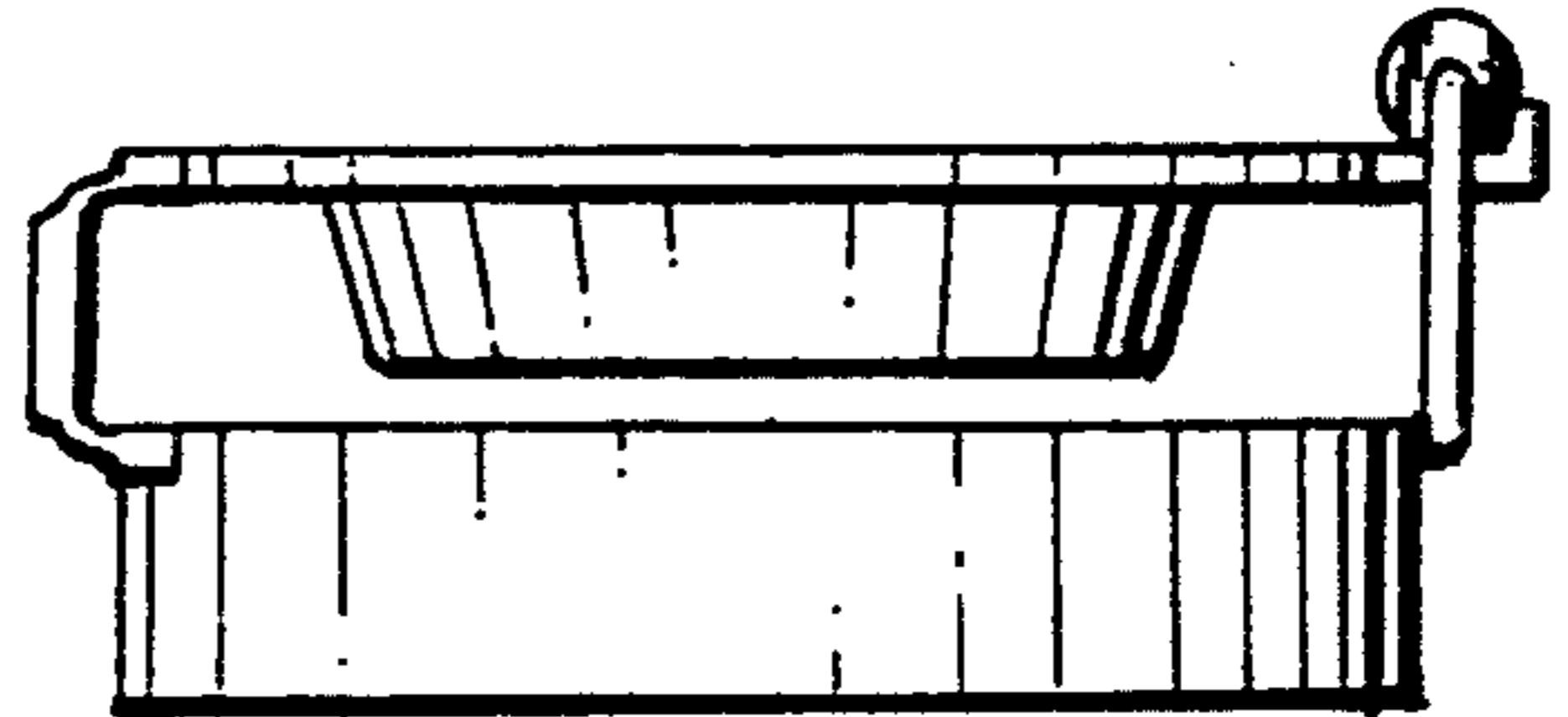


Fig. 3.

Fig. 4.

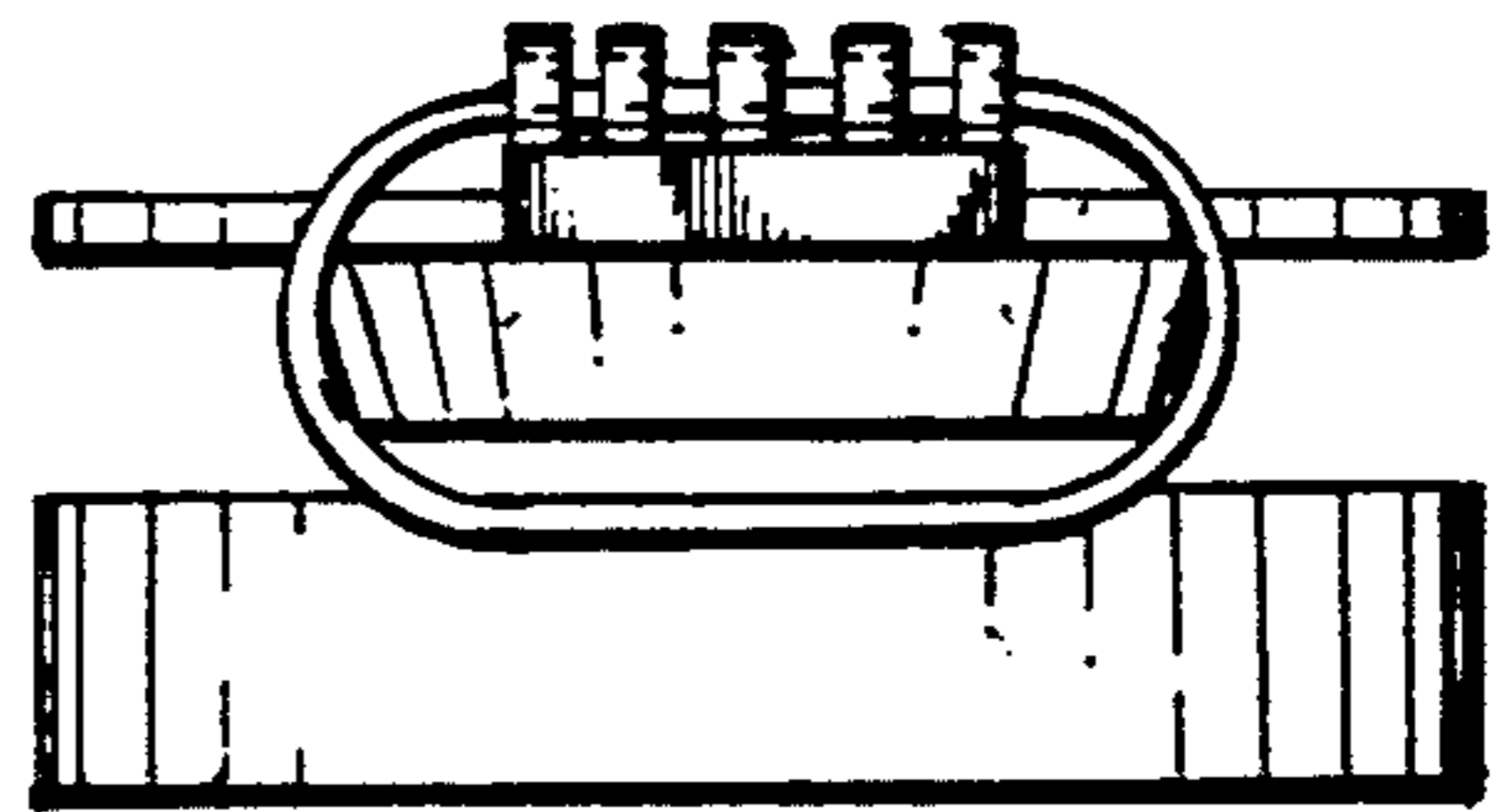


Fig. 5.

