



US00D328566S

# United States Patent [19]

Griesbach et al.

[11] Patent Number: **Des. 328,566**

[45] Date of Patent: **\*\* Aug. 11, 1992**

[54] **FOOD PACKAGE**

[75] Inventors: **Ray Griesbach, Monona; Jeffrey M. Lipinski, Sun Prairie, both of Wis.**

[73] Assignee: **Oscar Mayer Foods Corporation, Madison, Wis.**

[\*\*] Term: **14 Years**

[21] Appl. No.: **733,406**

[22] Filed: **Jul. 22, 1991**

4,120,394 10/1978 Soltes ..... 206/561 X  
4,241,863 12/1980 Faller ..... 229/120.09 X  
4,574,174 3/1986 McGonigle ..... 426/115 X

*Primary Examiner*—Bernard Ansher  
*Assistant Examiner*—Prabhakar Deshmukh  
*Attorney, Agent, or Firm*—Joseph T. Harcarik

[57] **CLAIM**

The ornamental design for a food package, as shown and described.

**DESCRIPTION**

FIG. 1 is a front elevational view of a food package, showing our new design;  
FIG. 2 is a rear elevational view thereof;  
FIG. 3 is a top plan view thereof;  
FIG. 4 is a bottom plan view thereof;  
FIG. 5 is a right side elevational view thereof;  
FIG. 6 is a left side elevational view thereof;  
FIG. 7 is a cross-sectional view taken along lines 7—7 of FIG. 1;  
FIG. 8 is a top plan view thereof, showing the food package in an open position;  
FIG. 9 is a cross-sectional view taken along line 9—9 of FIG. 8; and,  
FIG. 10 is a cross-sectional view taken along line 10—10 of FIG. 8.

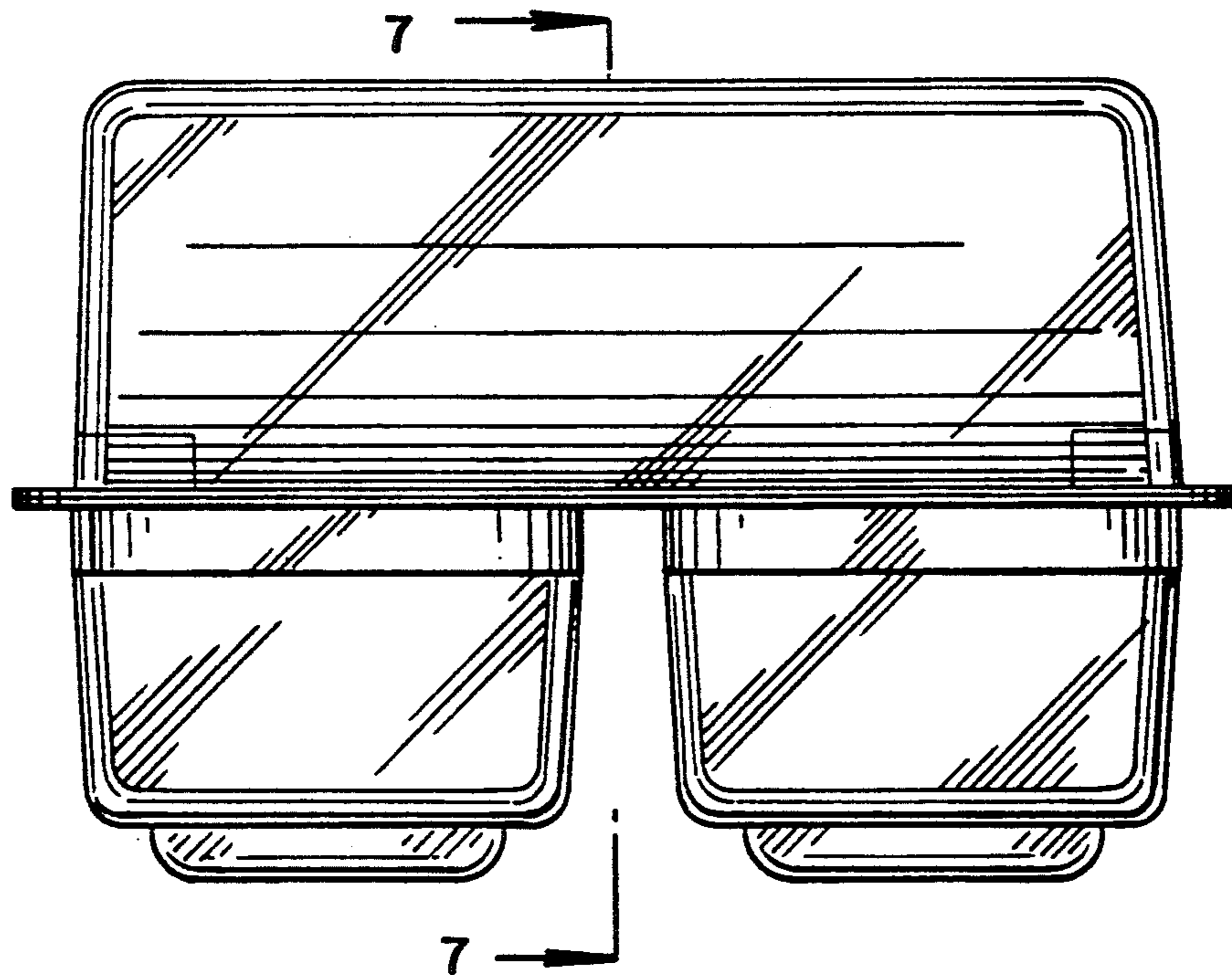
**Related U.S. Application Data**

[62] Division of Ser. No. 412,320, Sep. 26, 1989.  
[52] U.S. Cl. .... **D9/425; D9/341**  
[58] Field of Search ..... **D9/341, 418, 425, 424; D3/35; D19/75; 206/45.31, 425, 456, 591, 470, 541; 220/20, 23.8; 229/120.09, 902, 904, DIG. 13, 120.02; 426/106, 114, 115, 119, 120**

[56] **References Cited**

**U.S. PATENT DOCUMENTS**

2,858,224 10/1958 Darrah ..... 229/120.09 X  
3,295,737 1/1967 Page et al. .... 229/2.5  
3,933,296 1/1976 Ruskin et al. .... 206/541 X  
4,013,214 3/1977 Hansen et al. .... 206/45.34 X



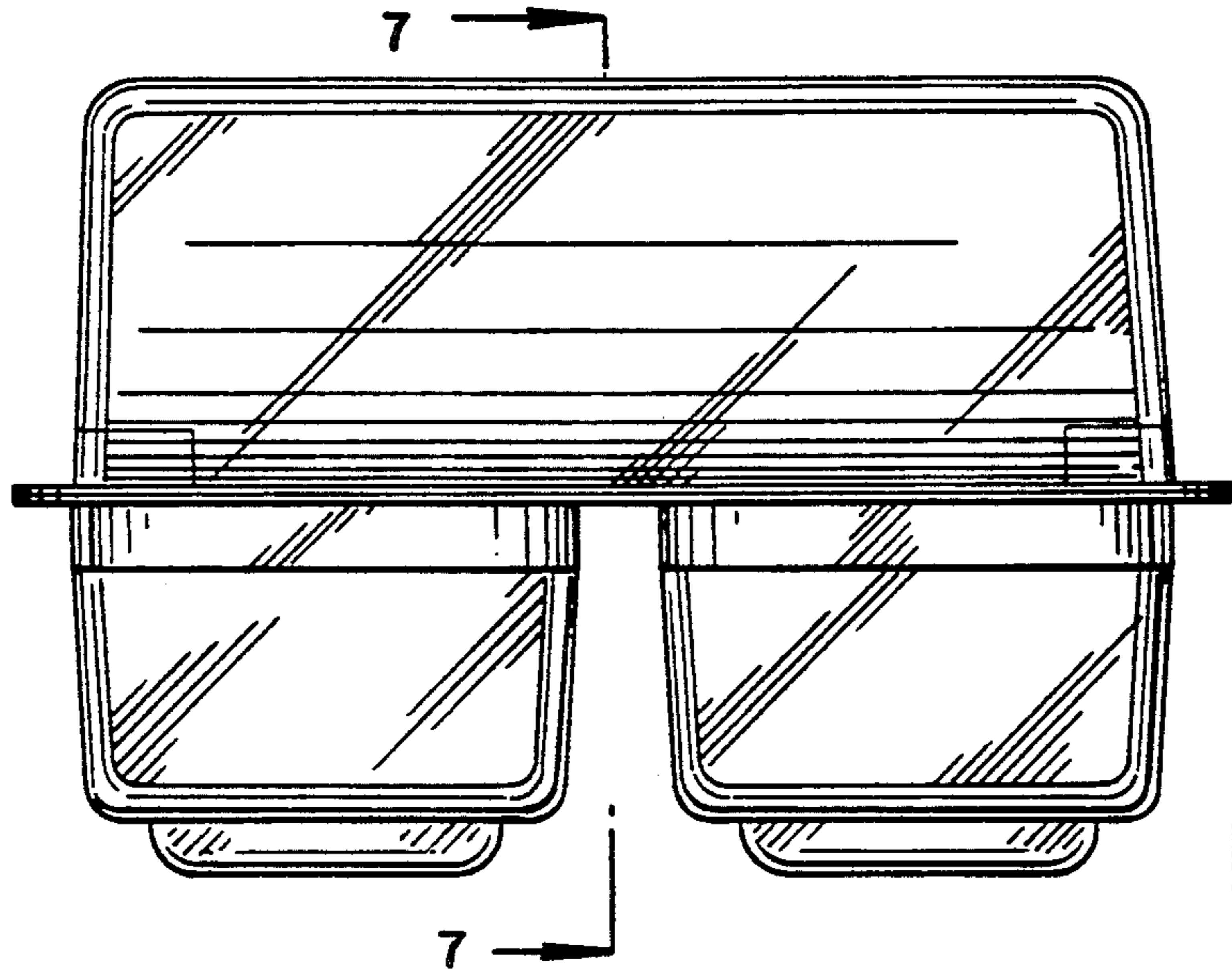


FIG. 1

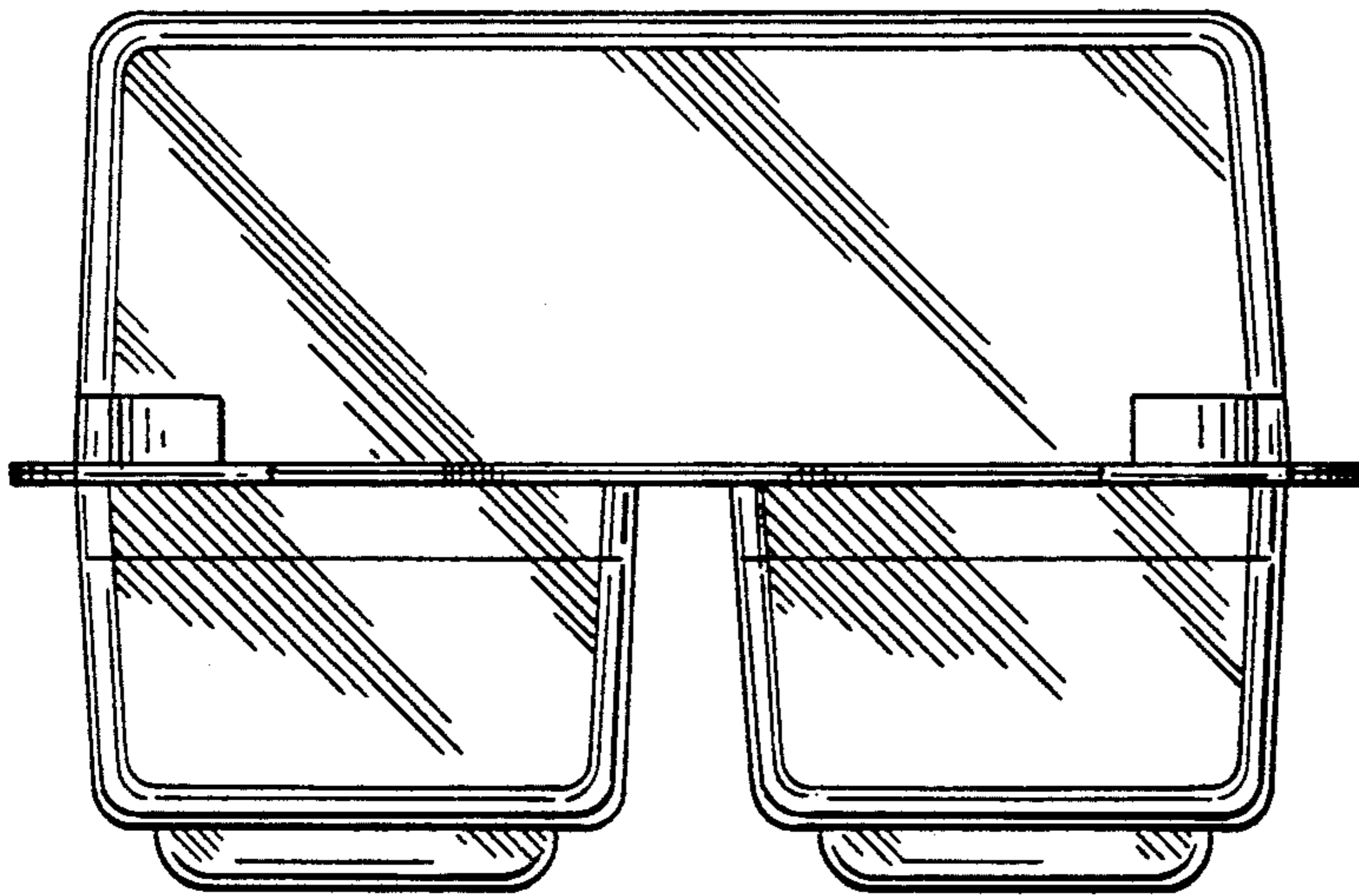
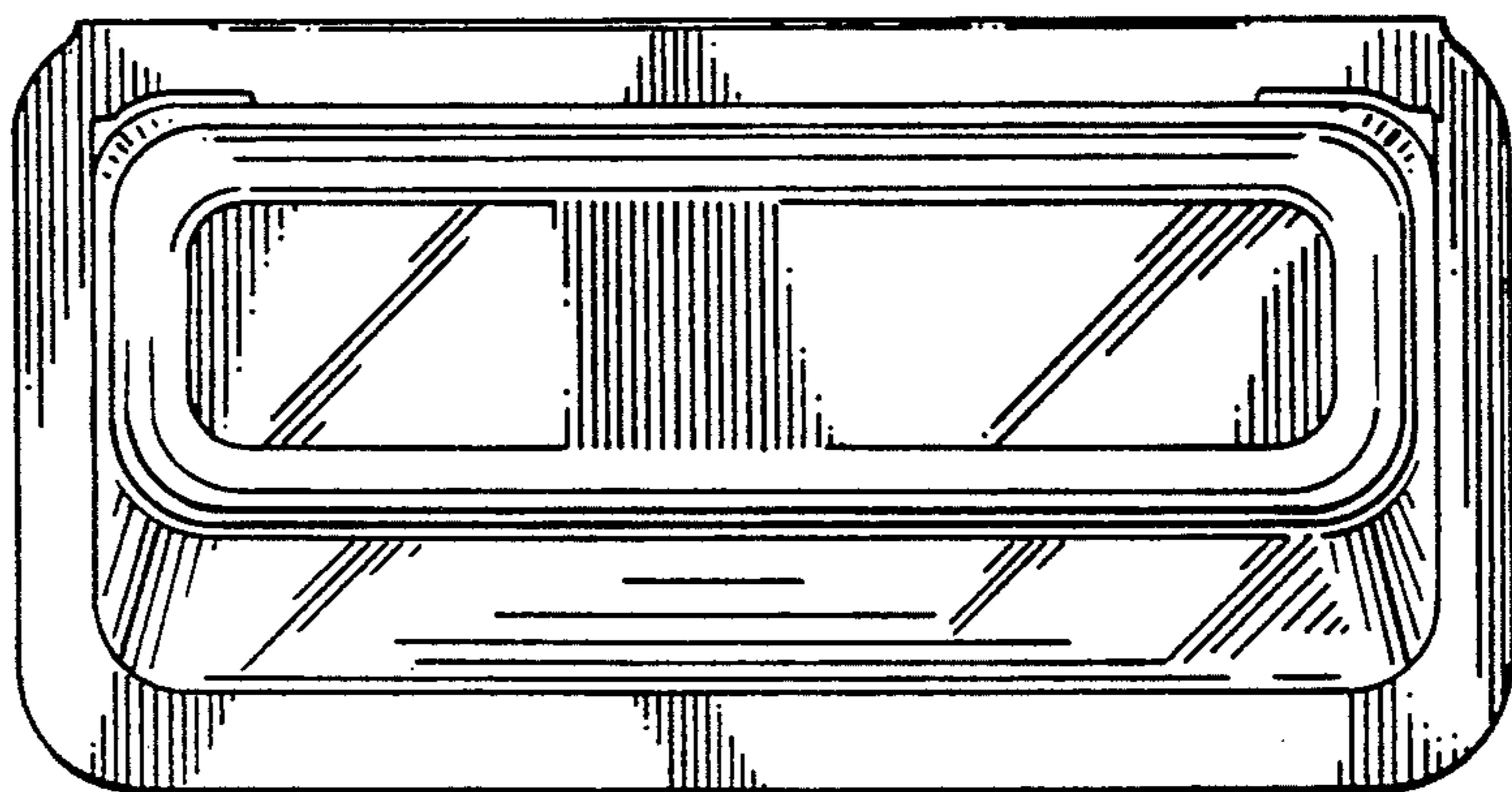


FIG. 2

FIG. 3



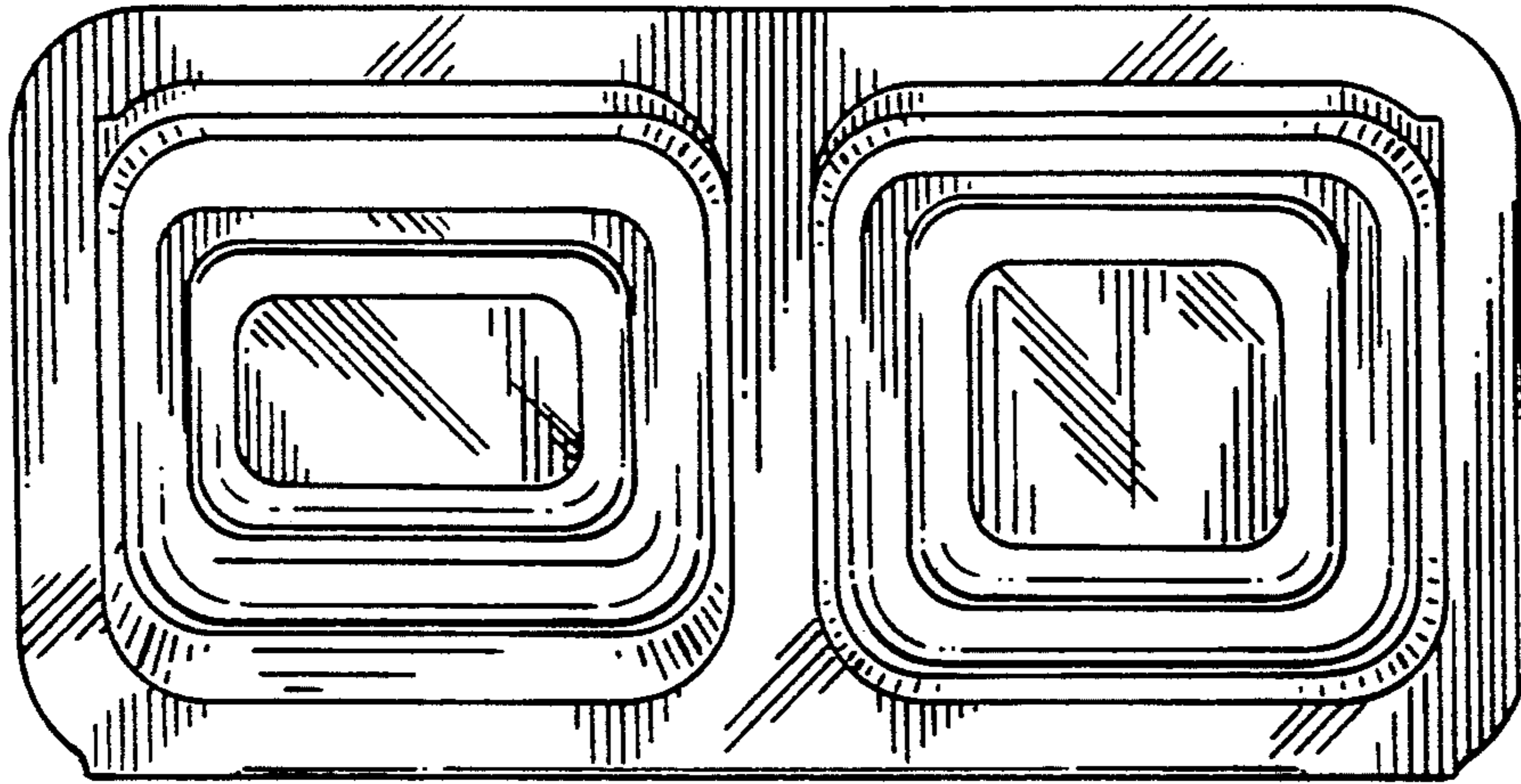


FIG. 4

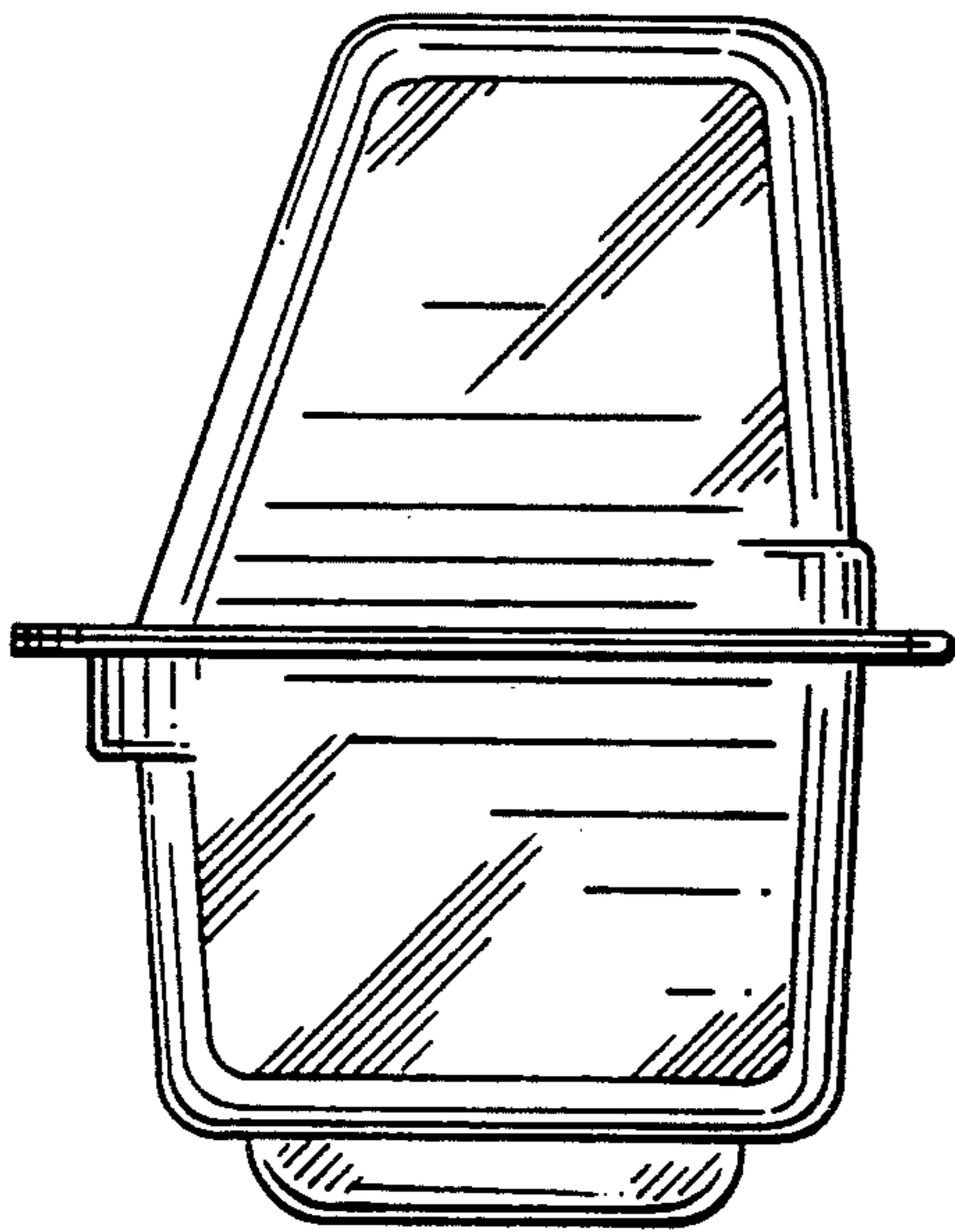


FIG. 5

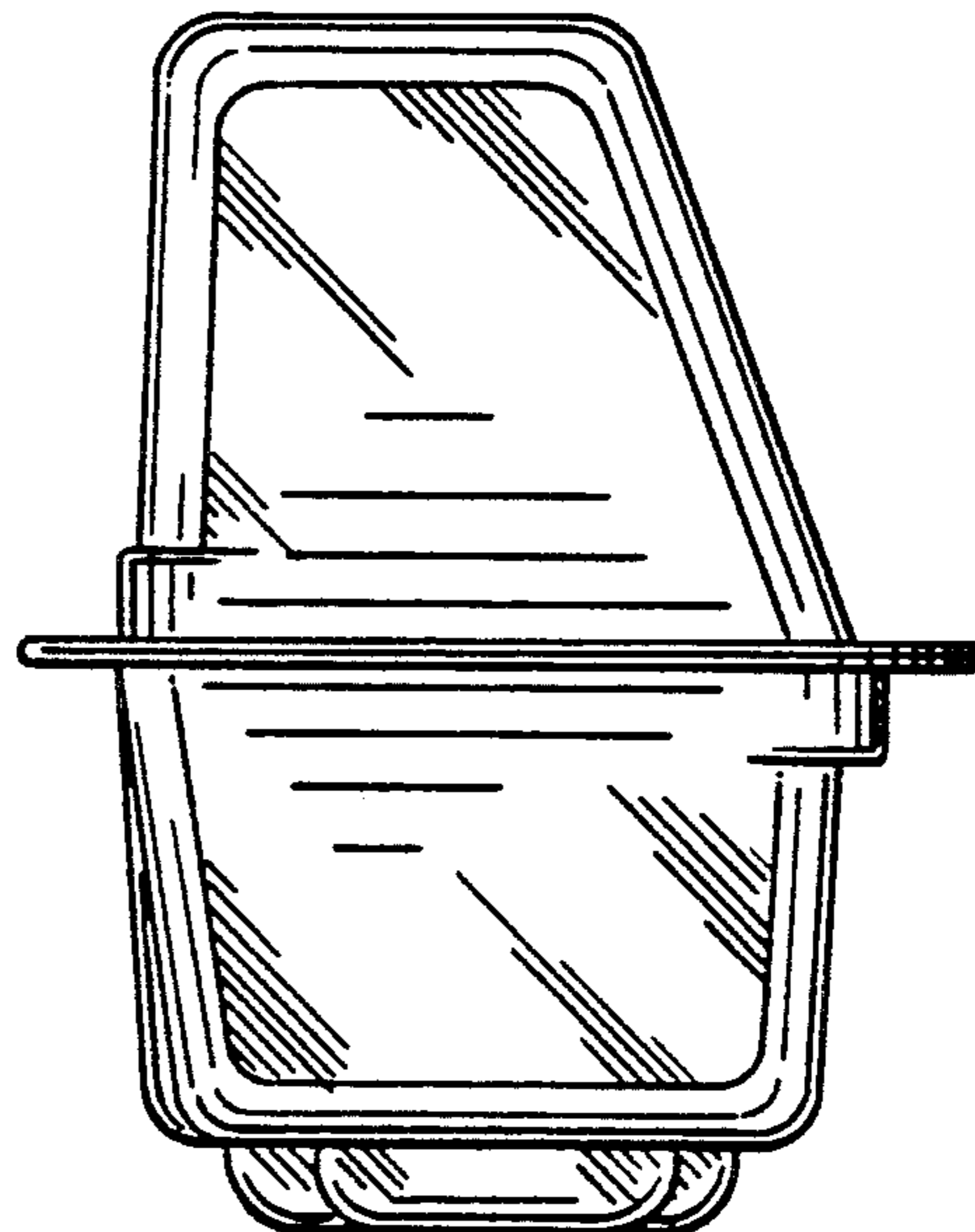


FIG. 6



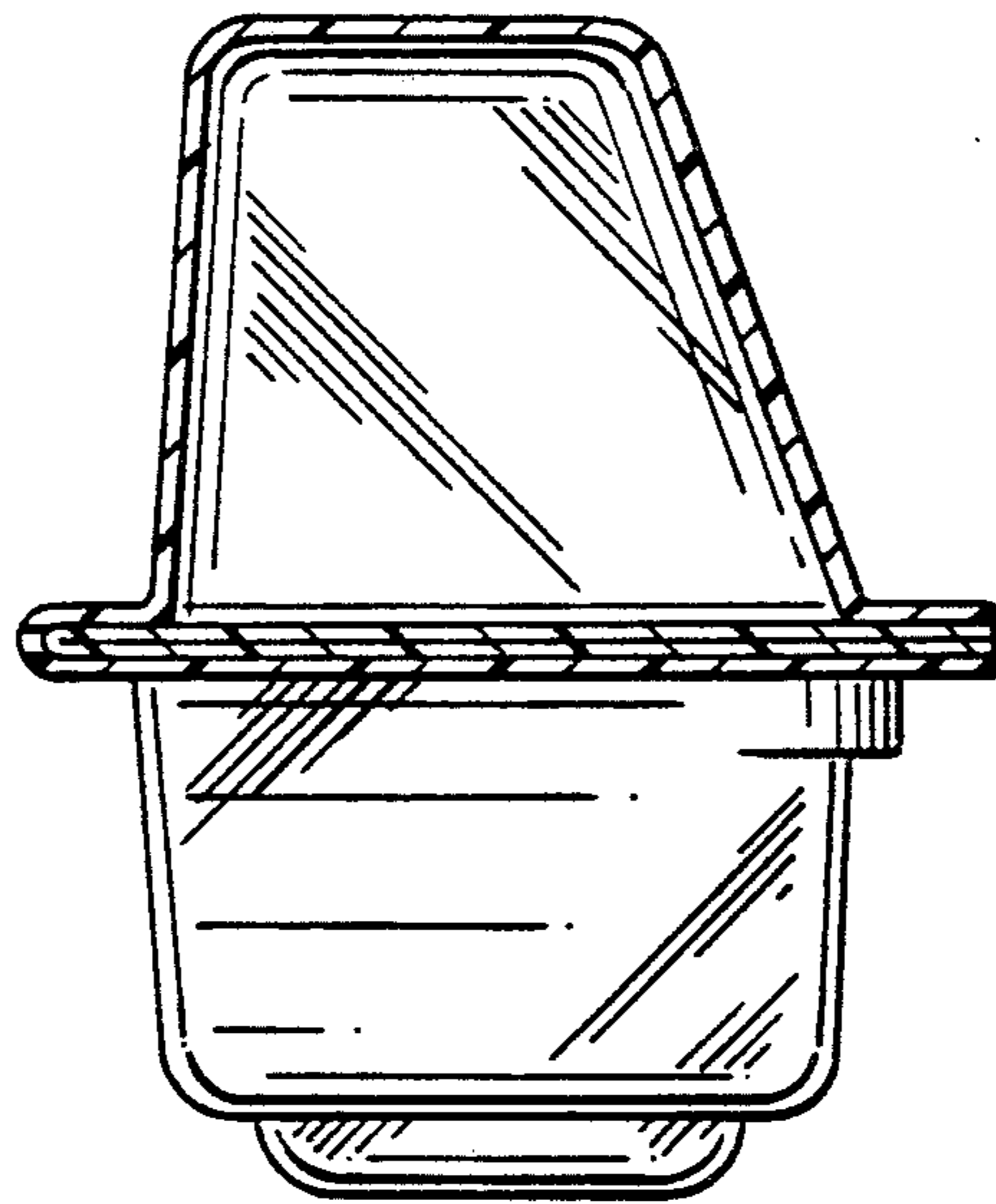


FIG. 7

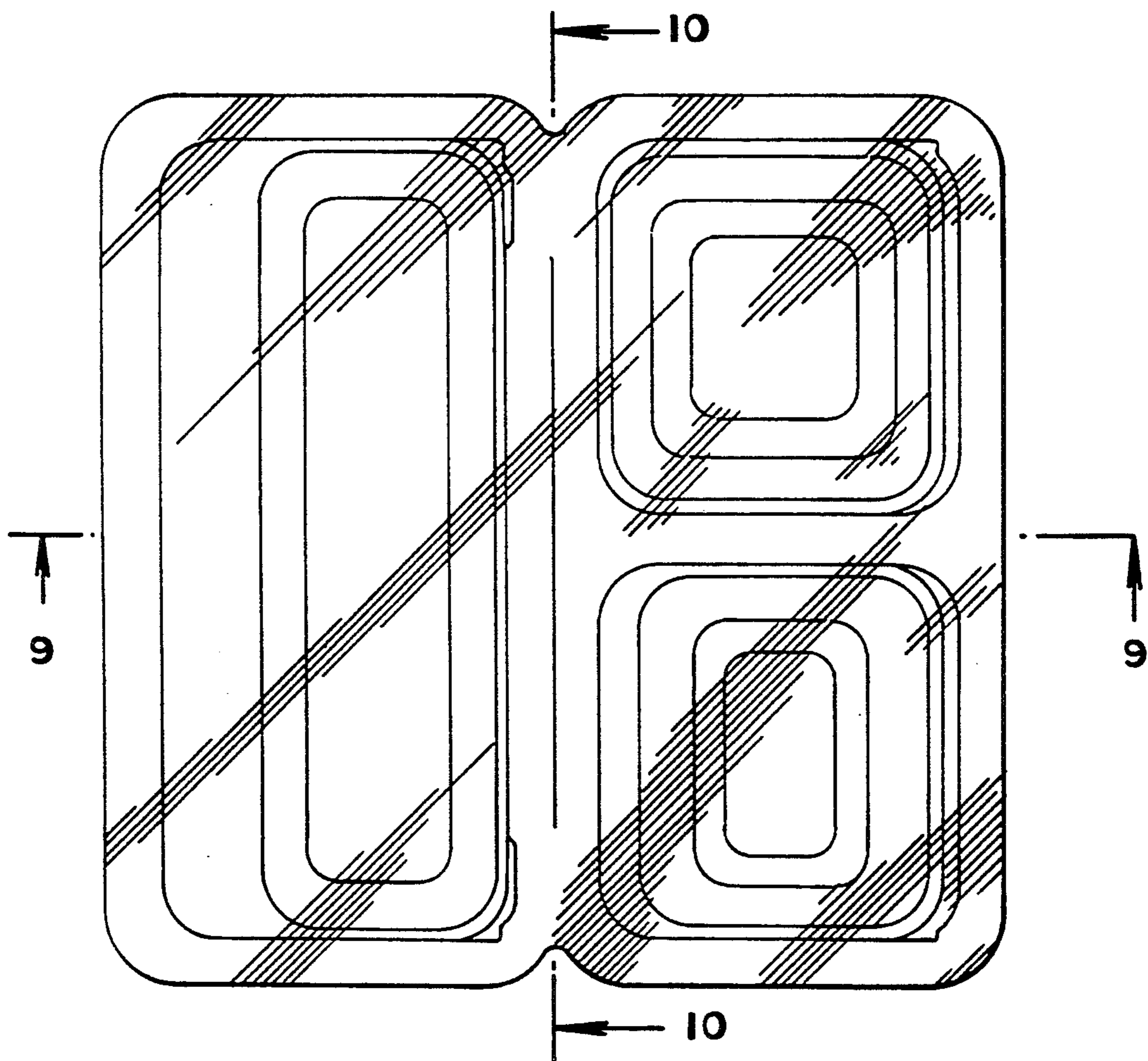


FIG. 8

FIG. 9

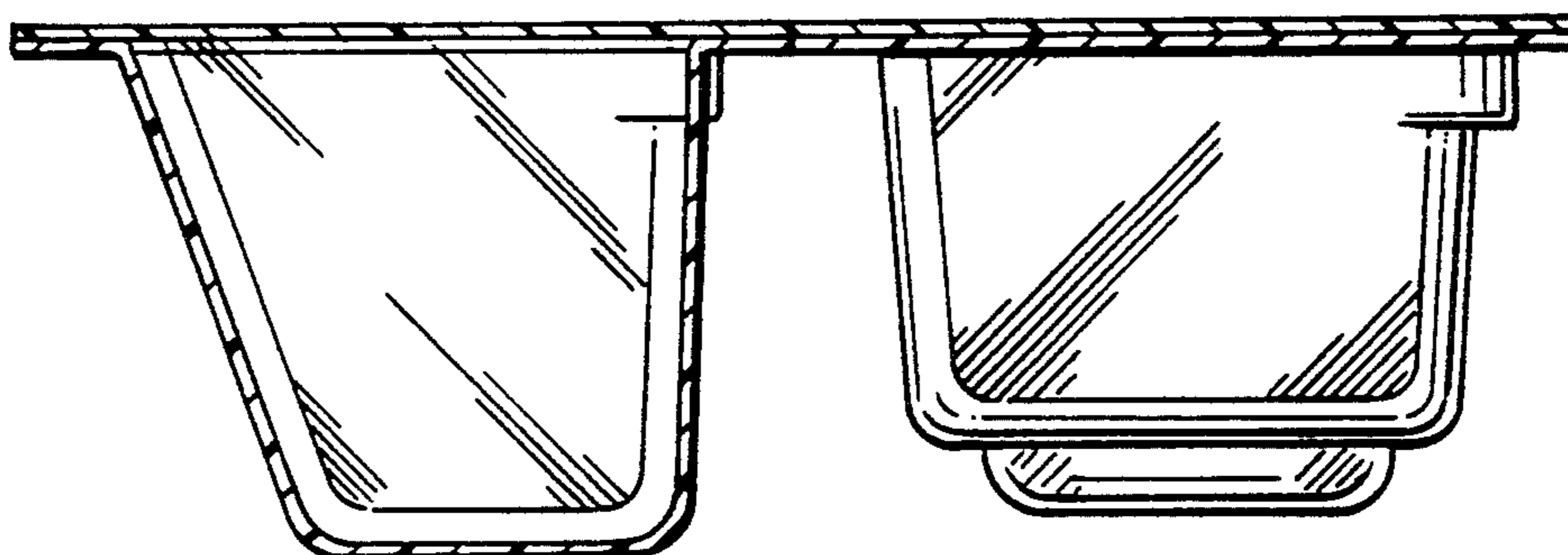


FIG. 10

