



US00D328562S

# United States Patent [19]

[11] Patent Number: **Des. 328,562**

Lin

[45] Date of Patent: **\*\* Aug. 11, 1992**

[54] **ROPE FASTENER**

D. 308,627 1/1990 Guffey ..... D8/396  
4,476,983 10/1984 Fast ..... D8/396 X

[76] Inventor: **Yuan-Mao Lin**, 3F, No. 73, Chih Yuan Sec. 2 Rd., Shih Pai District, Taipei, Taiwan

### FOREIGN PATENT DOCUMENTS

1462154 11/1966 France ..... 148/62

[\*\*] Term: **14 Years**

*Primary Examiner*—Horace B. Fay, Jr.  
*Attorney, Agent, or Firm*—Varndell Legal Group

[21] Appl. No.: **616,301**

[22] Filed: **Nov. 20, 1990**

### [57] CLAIM

[52] U.S. Cl. .... **D8/373; D8/367**

The ornamental design for rope fastener, as shown and described.

[58] Field of Search ..... **D8/385, 396, 367, 383; 248/62, 231.91, 241 P, 165; 24/115 KX; D6/513**

### DESCRIPTION

### [56] References Cited

#### U.S. PATENT DOCUMENTS

D. 135,143 3/1943 Weekley ..... D8/385 X  
D. 164,134 7/1951 Rogant ..... D8/396  
D. 187,286 2/1960 Silva ..... D8/396 X  
D. 219,767 1/1971 Johnson ..... D8/367

FIG. 1 is a perspective view of rope fastener, showing my new design;

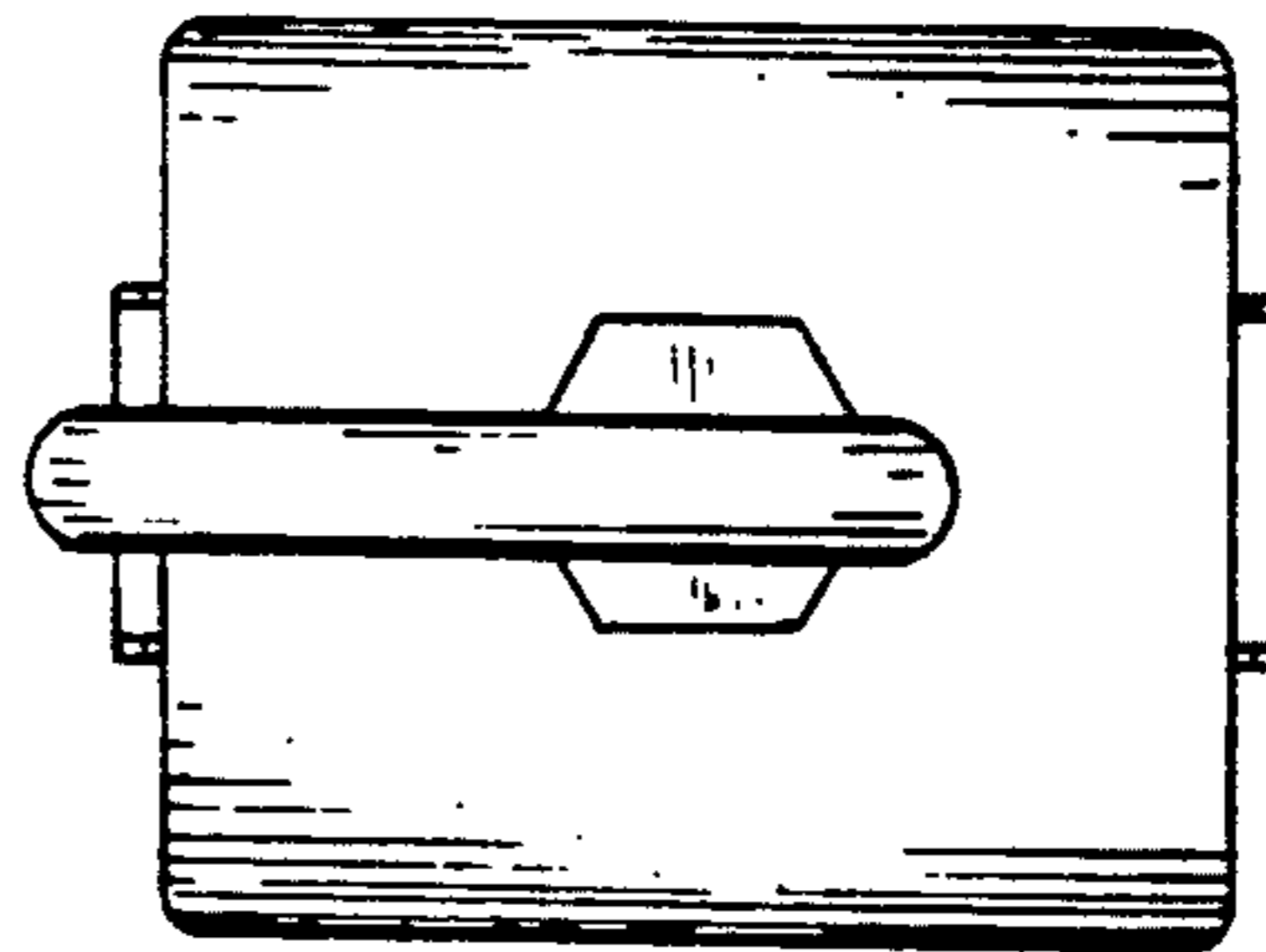
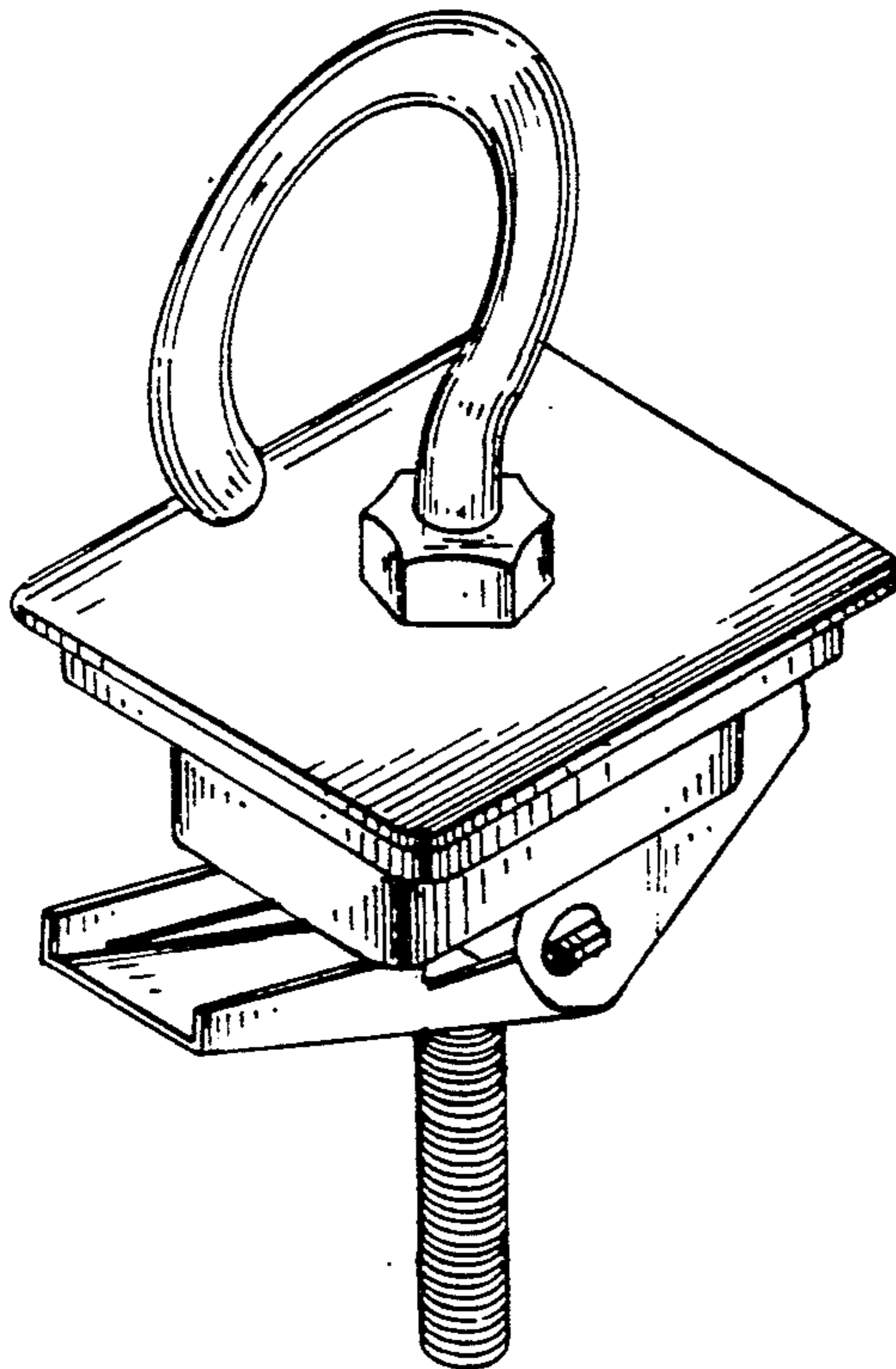
FIG. 2 is a front elevational view thereof;

FIG. 3 is a left side elevational view thereof;

FIG. 4 is a right side elevational view thereof;

FIG. 5 is a top plan view thereof; and,

FIG. 6 is a bottom plan view thereof.



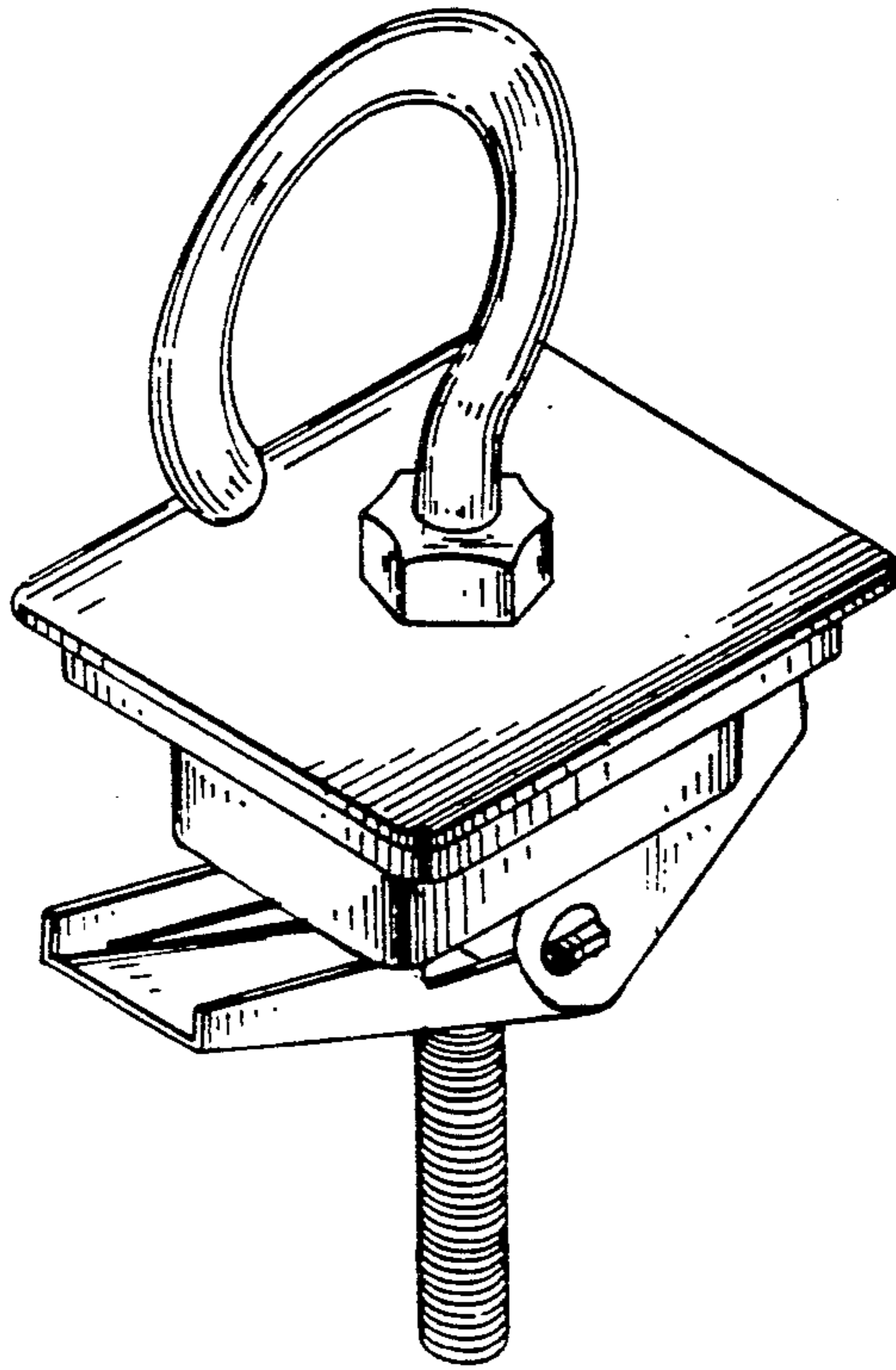


Fig. 1

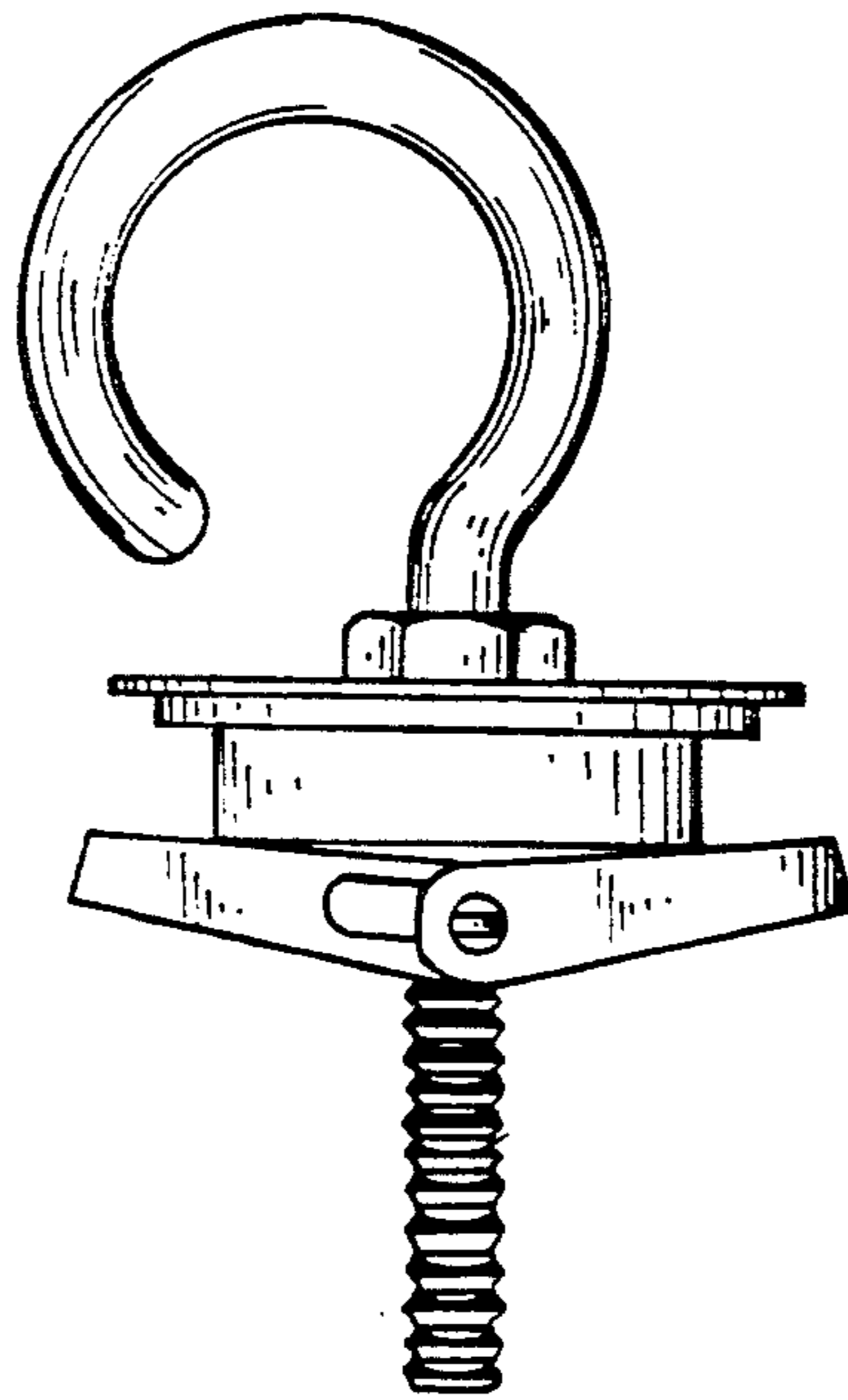


Fig. 2

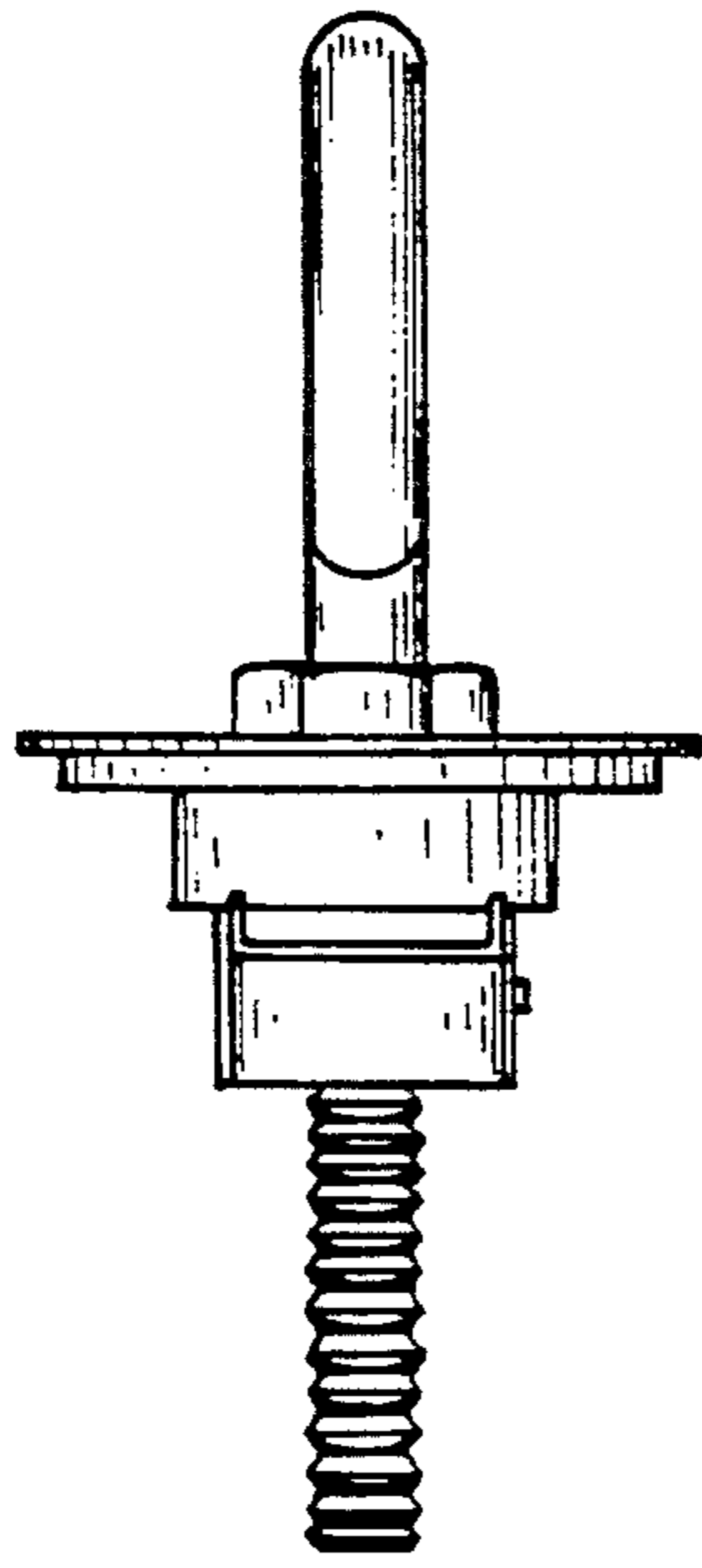


Fig. 3

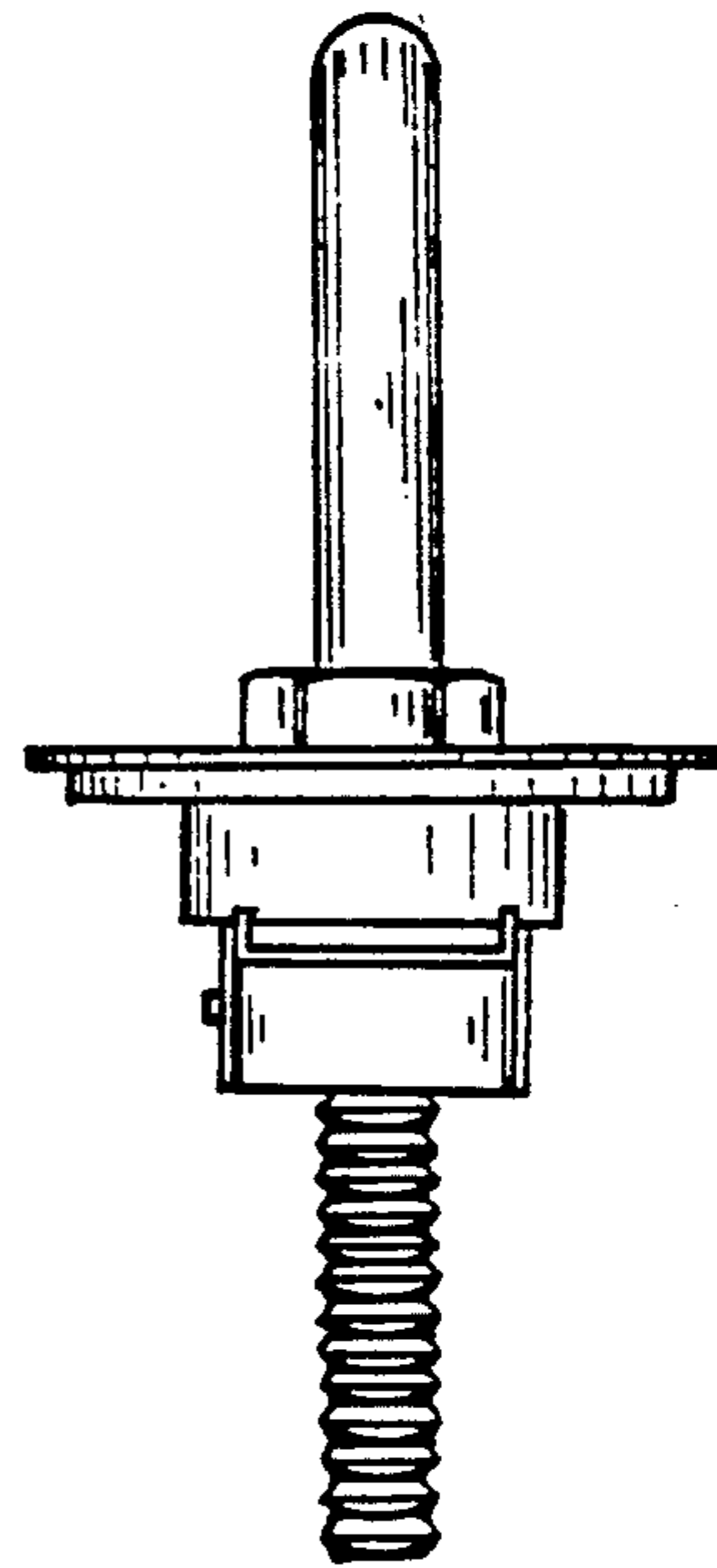


Fig. 4

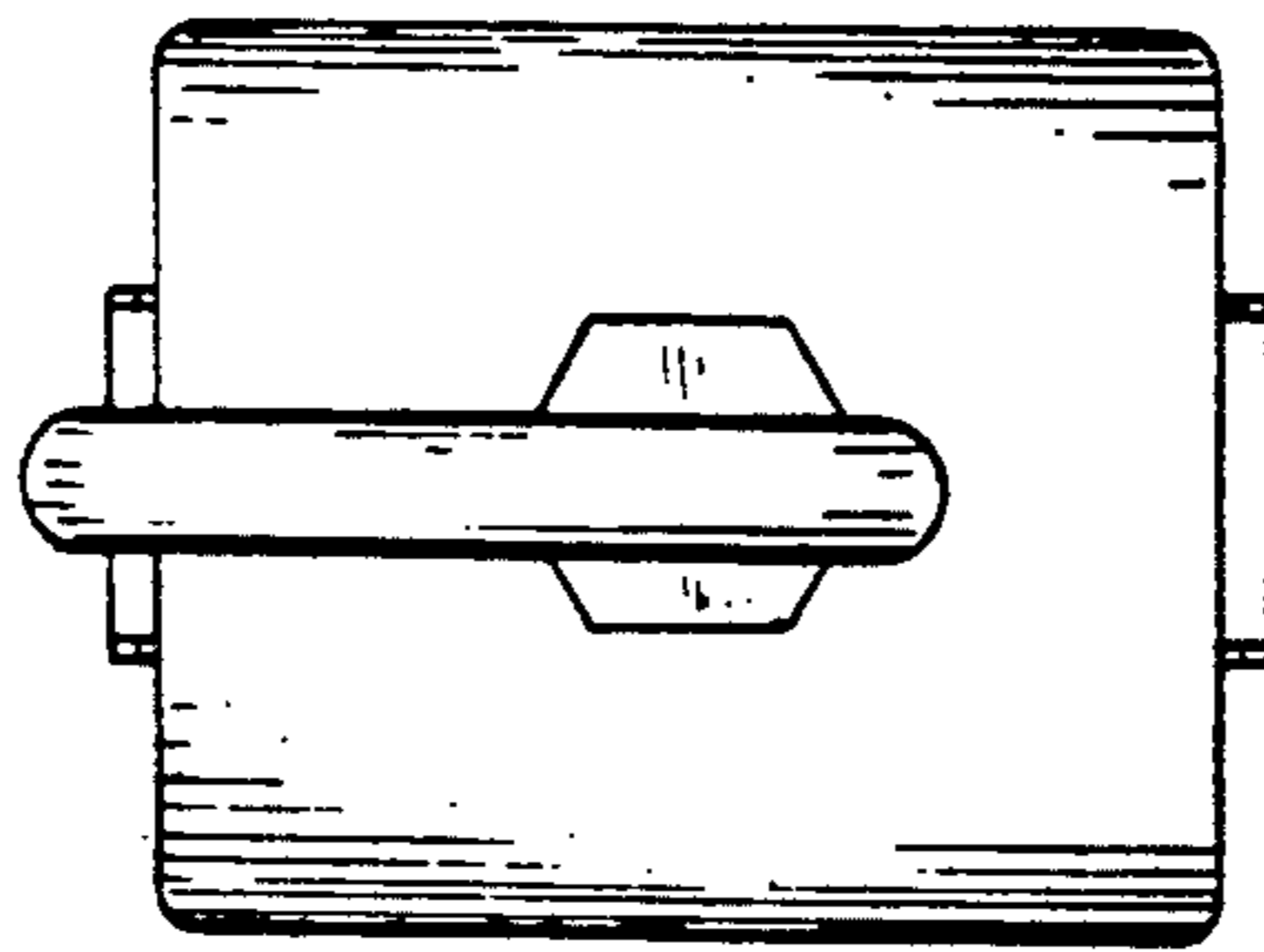


Fig. 5

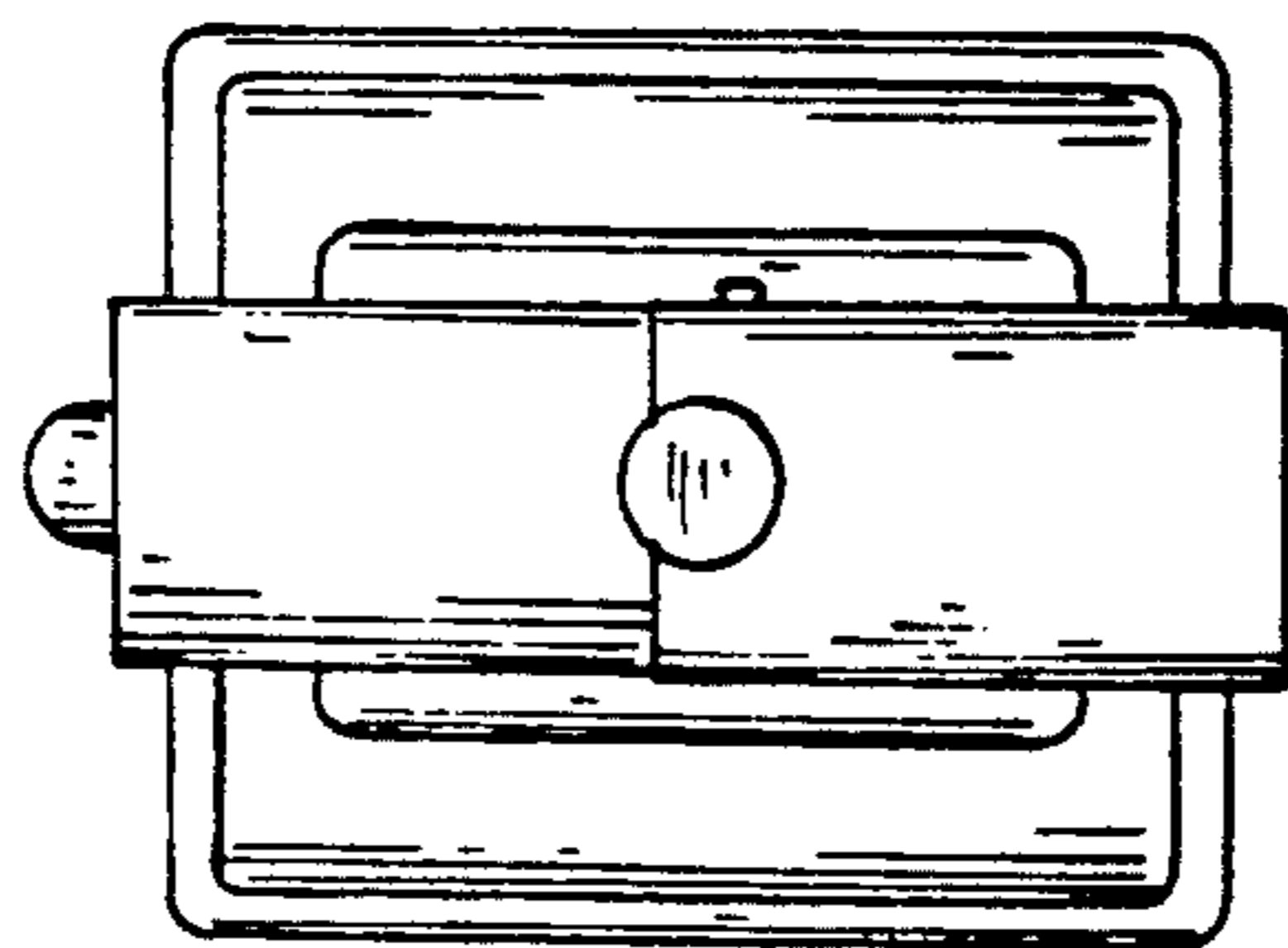


Fig. 6