



US00D328556S

# United States Patent [19]

[11] Patent Number: **Des. 328,556**

Fushiya et al.

[45] Date of Patent: **\*\* Aug. 11, 1992**

- [54] **PORTABLE ELECTRIC DRILL**
- [75] Inventors: **Fusao Fushiya; Michio Okumura,**  
both of Anjo, Japan
- [73] Assignee: **Makita Electric Works, Ltd., Anjo,**  
Japan
- [\*\*] Term: **14 Years**
- [21] Appl. No.: **522,969**
- [22] Filed: **May 14, 1990**
- [30] **Foreign Application Priority Data**  
Nov. 24, 1989 [JP] Japan ..... 1-42694
- [52] U.S. Cl. .... **D8/69; D8/68**
- [58] Field of Search ..... **D8/61, 68, 69**

- D. 320,918 10/1991 Mochida ..... D8/68
- 2,730,635 1/1956 McCabe ..... 173/170
- 3,161,242 12/1964 Etzkorn et al. .... 173/170
- 3,602,318 8/1971 Slany ..... 173/170

*Primary Examiner*—Donald P. Walsh  
*Assistant Examiner*—J. H. Musgrove  
*Attorney, Agent, or Firm*—Dennison, Meserole, Pollack & Scheiner

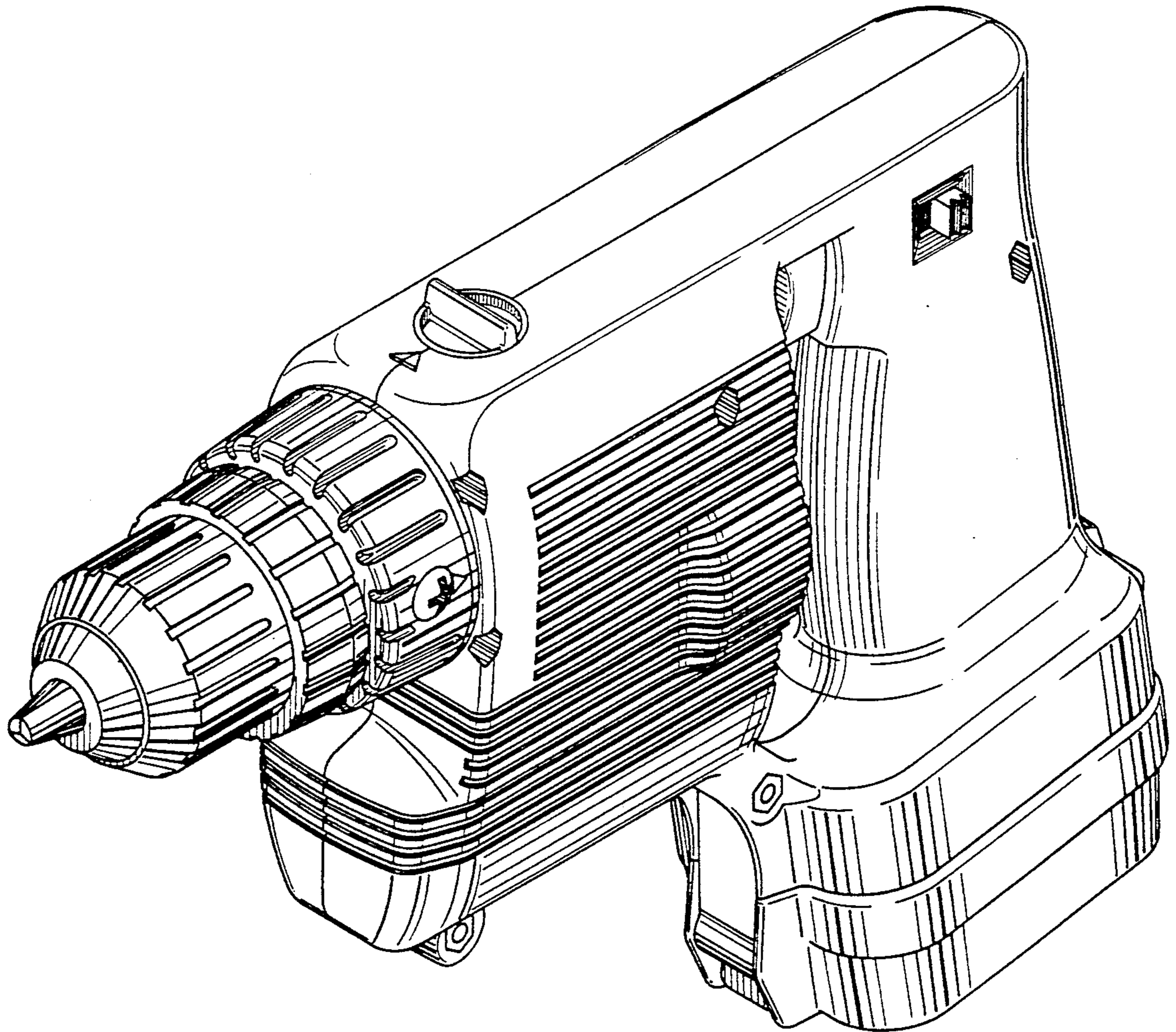
### [57] CLAIM

The ornamental design for a portable electric drill, as shown and described.

### DESCRIPTION

FIG. 1 is a top, front and right side perspective view of a portable electric drill showing our new design; FIG. 2 is a right side elevational view thereof; FIG. 3 is a left side elevational view thereof; FIG. 4 is a front elevational view thereof; FIG. 5 is a rear elevational view thereof; FIG. 6 is a top plan view thereof; and, FIG. 7 is a bottom plan view thereof.

- [56] **References Cited**  
**U.S. PATENT DOCUMENTS**  
D. 243,742 3/1977 House, II et al. .... D8/69  
D. 316,020 4/1991 Fushiya et al. .... D8/61



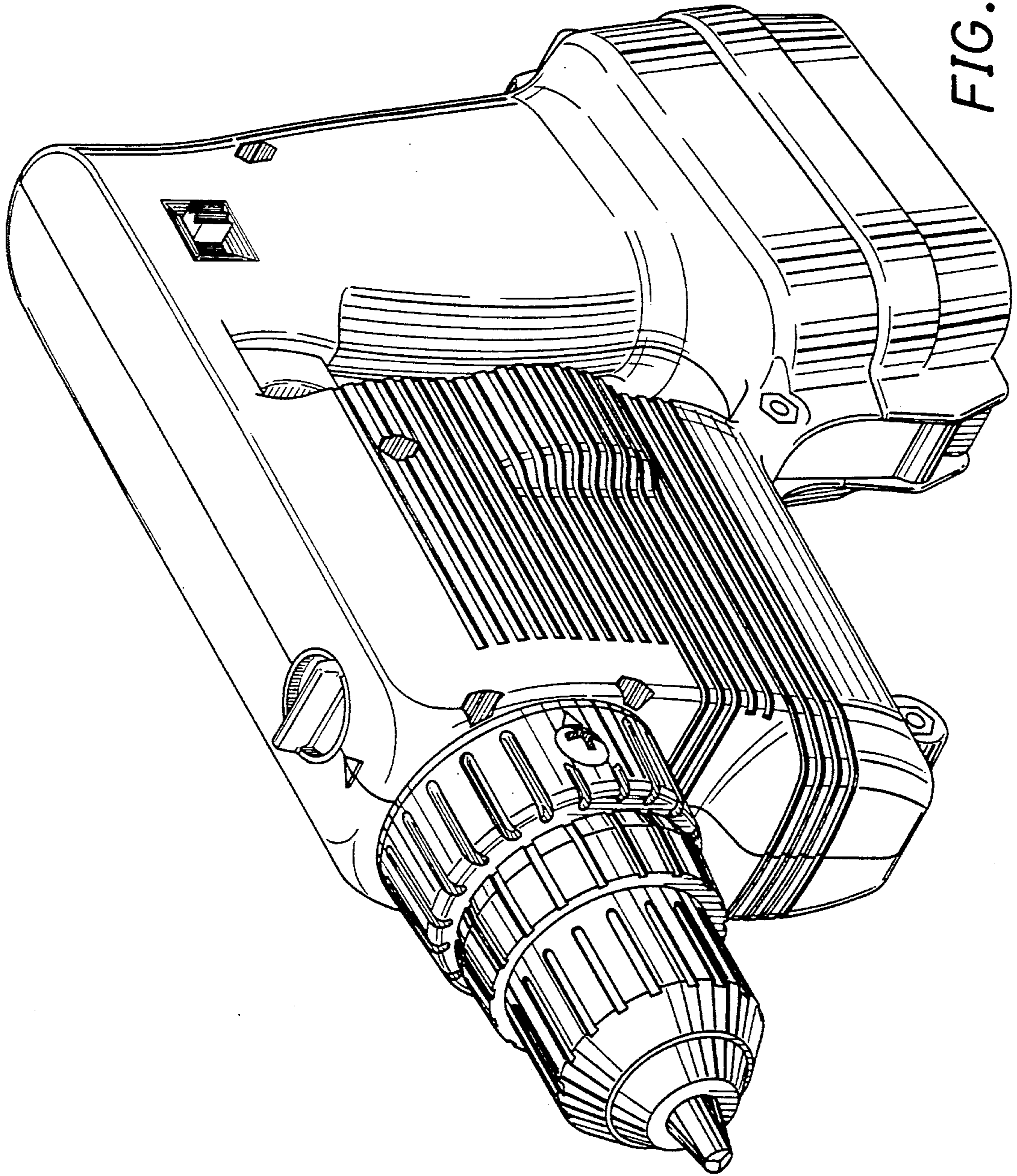


FIG. 1



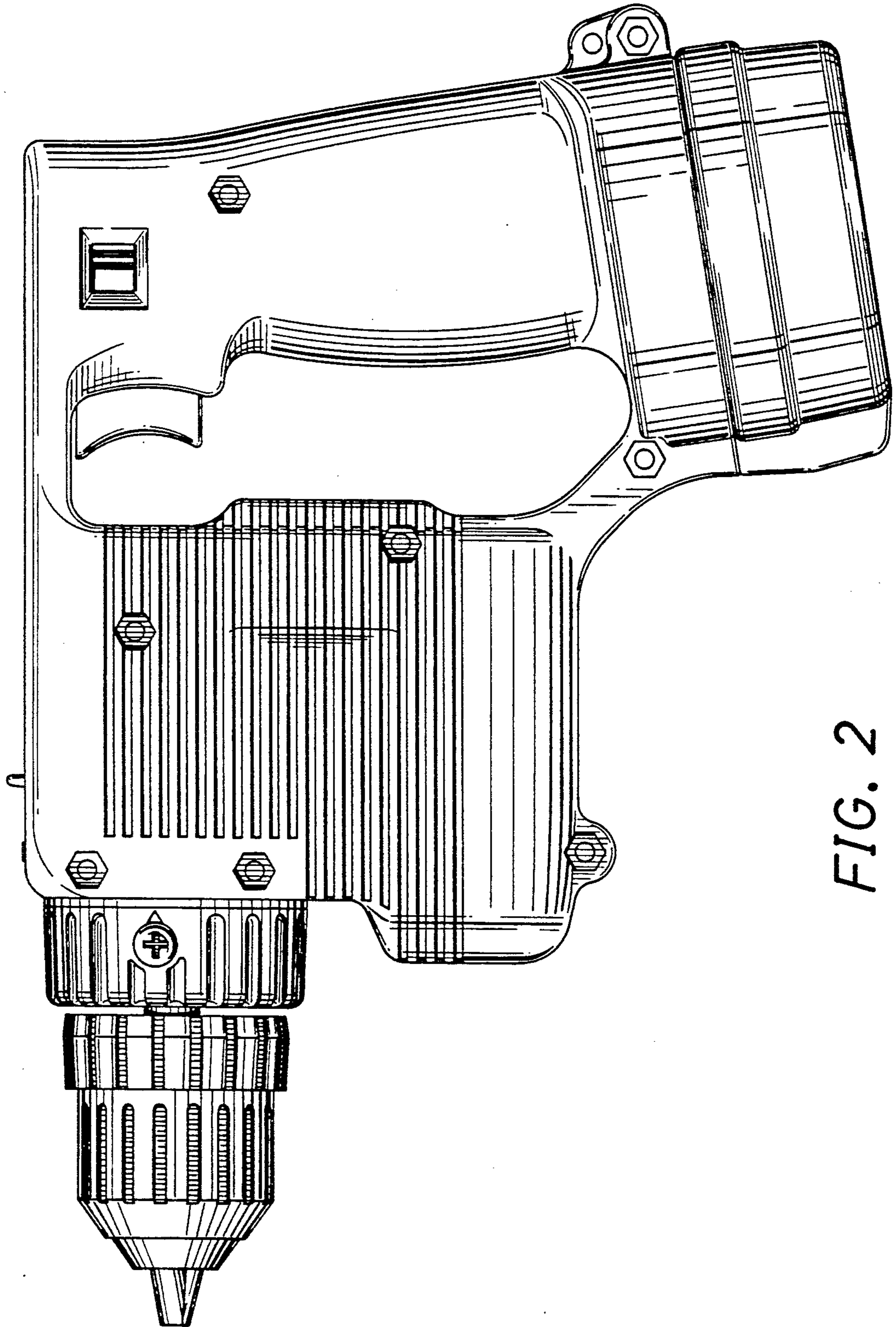


FIG. 2

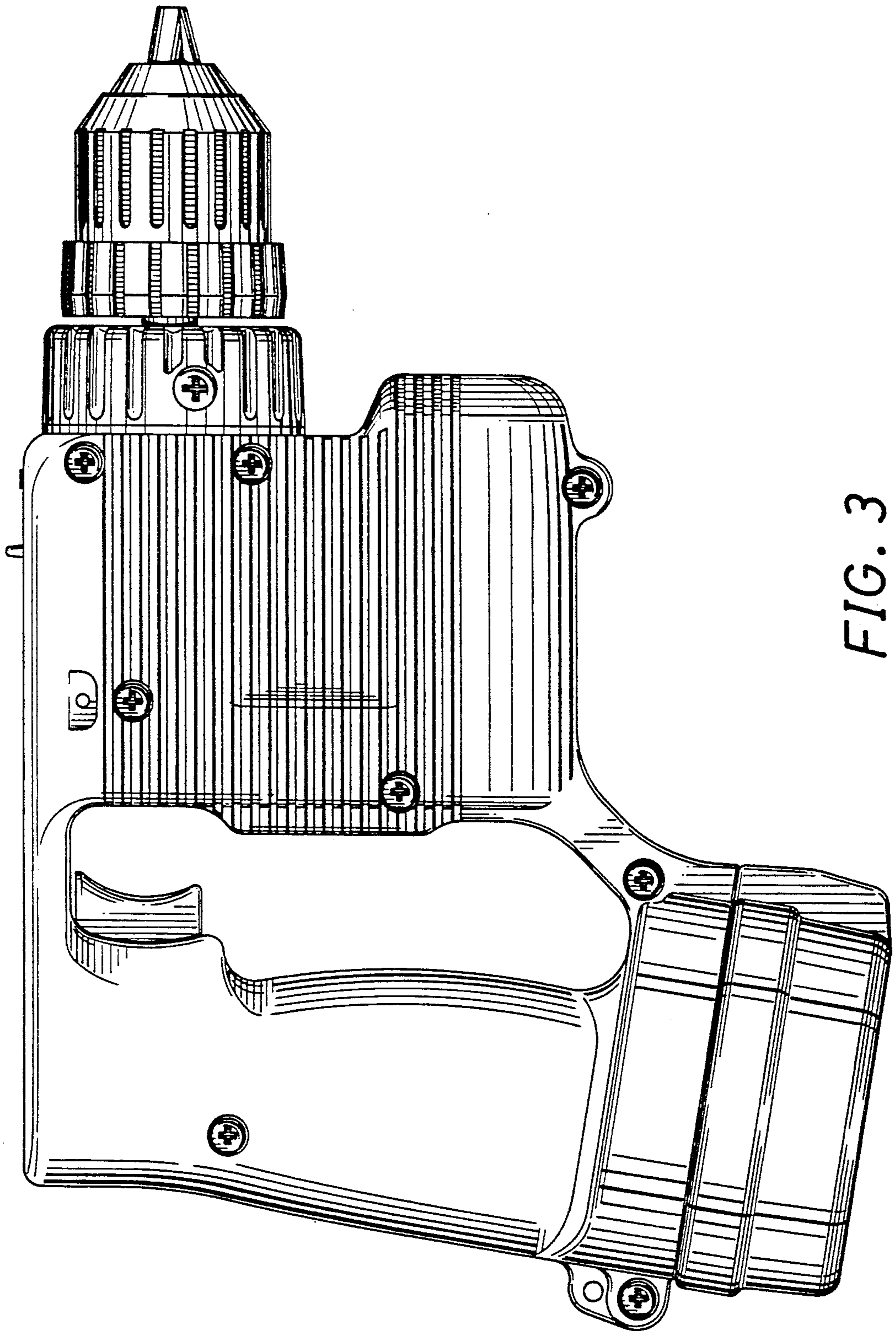


FIG. 3

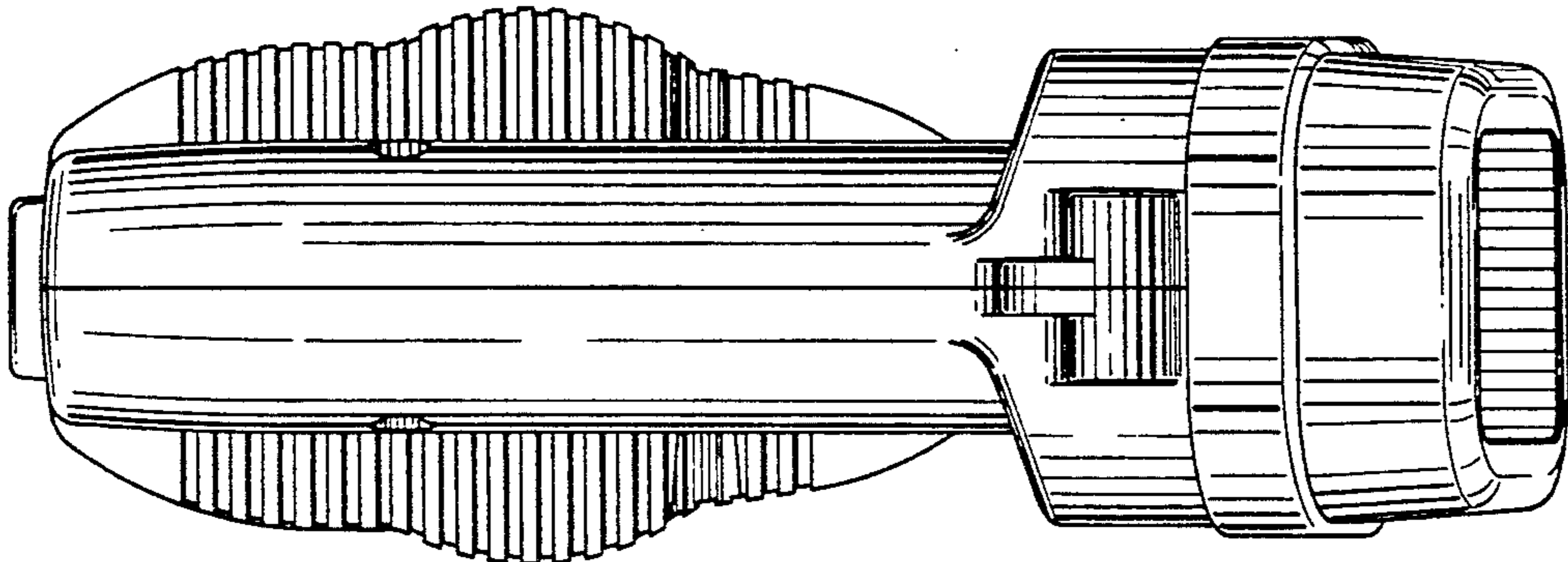


FIG. 5

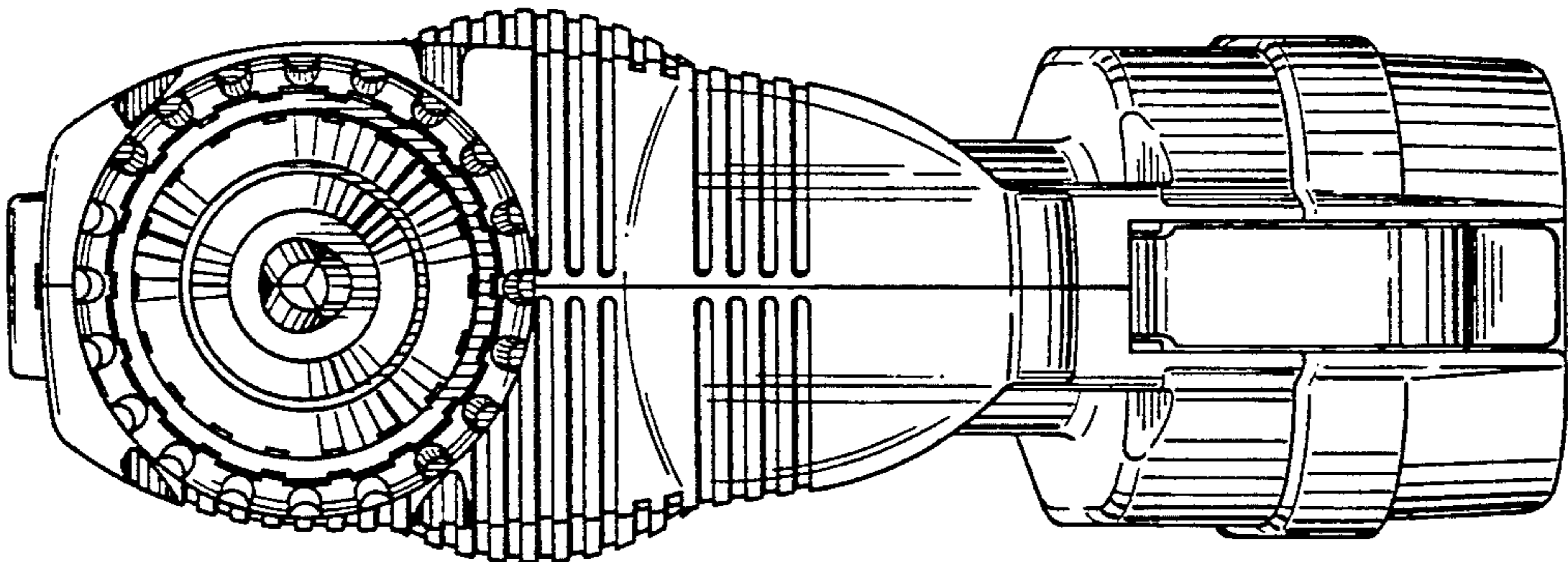


FIG. 4



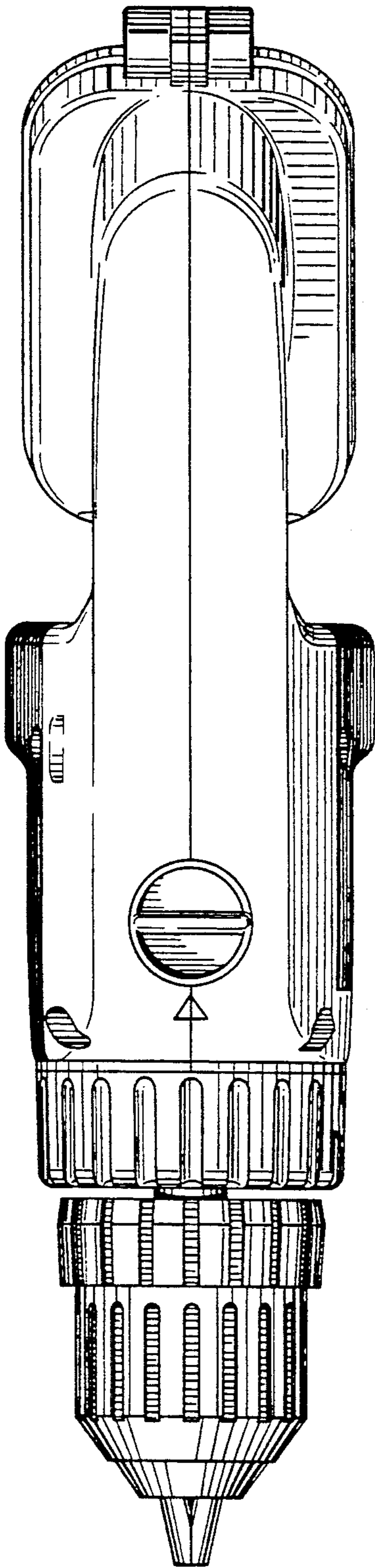


FIG. 6

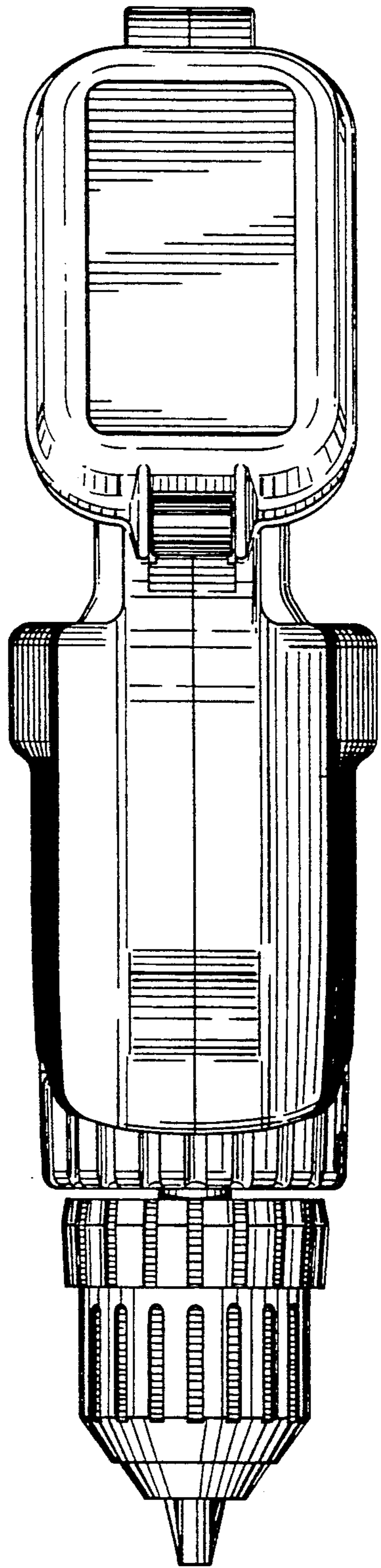


FIG. 7