



US00D328555S

United States Patent [19]

Keller

[11] Patent Number: **Des. 328,555**

[45] Date of Patent: **** Aug. 11, 1992**

[54] **DISPENSING TOOL FOR CARTRIDGES**

[76] Inventor: **Wilhelm A. Keller, Riedstrasse 1, Cham, Switzerland, CH-6330**

[**] Term: **14 Years**

[21] Appl. No.: **471,138**

[22] Filed: **Jan. 26, 1990**

[30] **Foreign Application Priority Data**

Aug. 2, 1989 [WO] World Int. Prop. O. DM/014264

[52] U.S. Cl. **D8/14.1**

[58] Field of Search D8/14.1, 68; 222/326, 222/333, 327, 390

[56] **References Cited**

U.S. PATENT DOCUMENTS

D. 256,325	8/1980	Crook et al.	D8/68
D. 258,797	4/1981	Davis, Jr.	D8/14.1
3,311,265	3/1967	Creighton et al.	222/137
3,997,084	12/1976	Davis, Jr.	222/326
4,024,994	5/1977	Davis, Jr.	222/326
4,171,072	10/1979	Davis, Jr.	222/326

4,376,498	3/1983	Davis, Jr.	222/326
4,426,024	1/1984	Hogan et al.	222/173
4,583,934	4/1986	Hata et al.	222/333
4,826,053	5/1989	Keller	222/340
4,871,088	10/1989	Cox	222/47

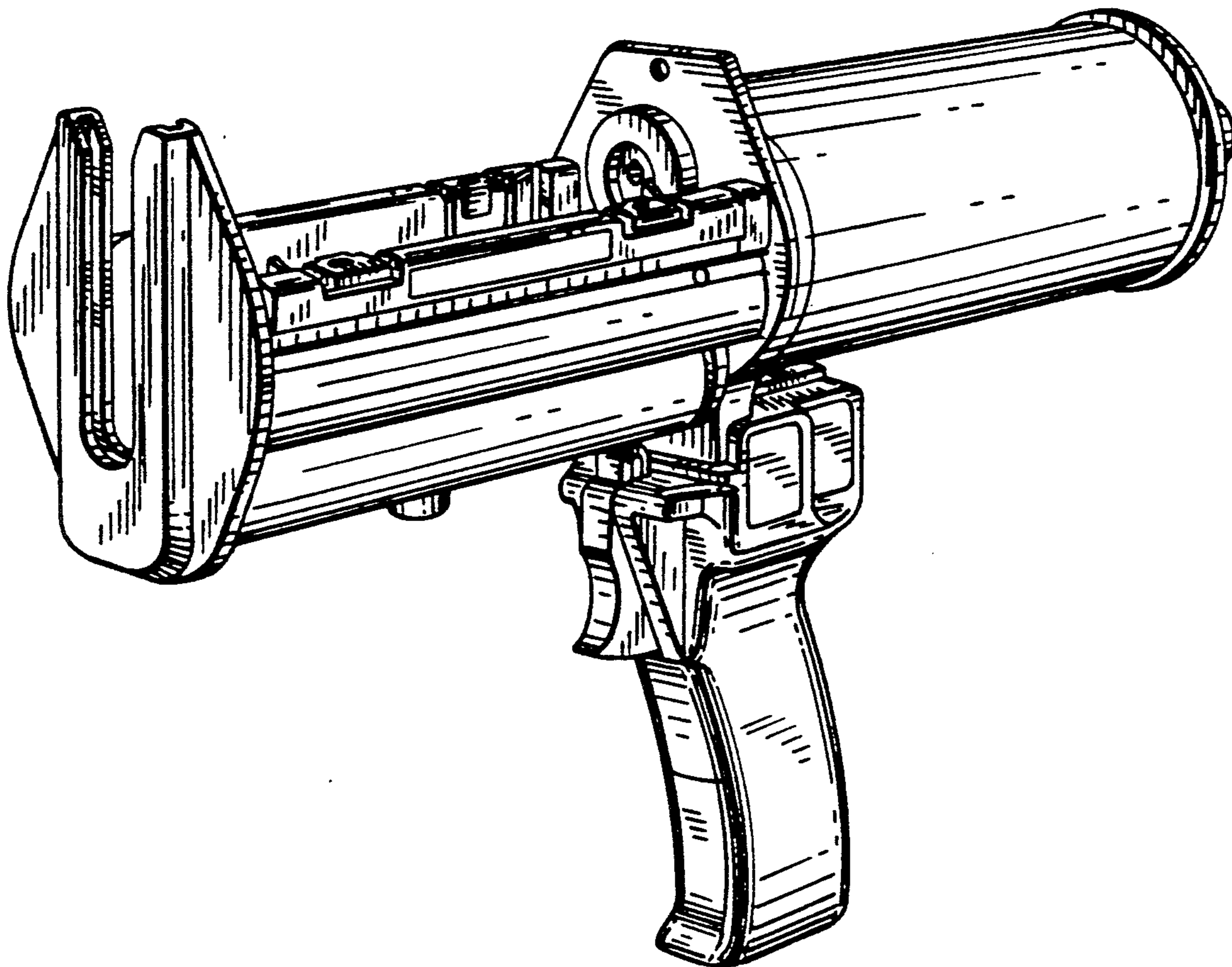
Primary Examiner—Nelson C. Holtje
Assistant Examiner—J. H. Musgrove
Attorney, Agent, or Firm—Darby & Darby

[57] **CLAIM**

The ornamental design for a dispensing tool for cartridges, as shown.

DESCRIPTION

FIG. 1 is a right side elevational view of a dispensing tool for cartridges showing my new design; FIG. 2 is a left elevational view thereof; FIG. 3 is a front elevational view thereof; FIG. 4 is a rear elevational view thereof; FIG. 5 is a top plan view thereof; FIG. 6 is a bottom plan view thereof; and, FIG. 7 is a top, front and right side perspective view thereof.



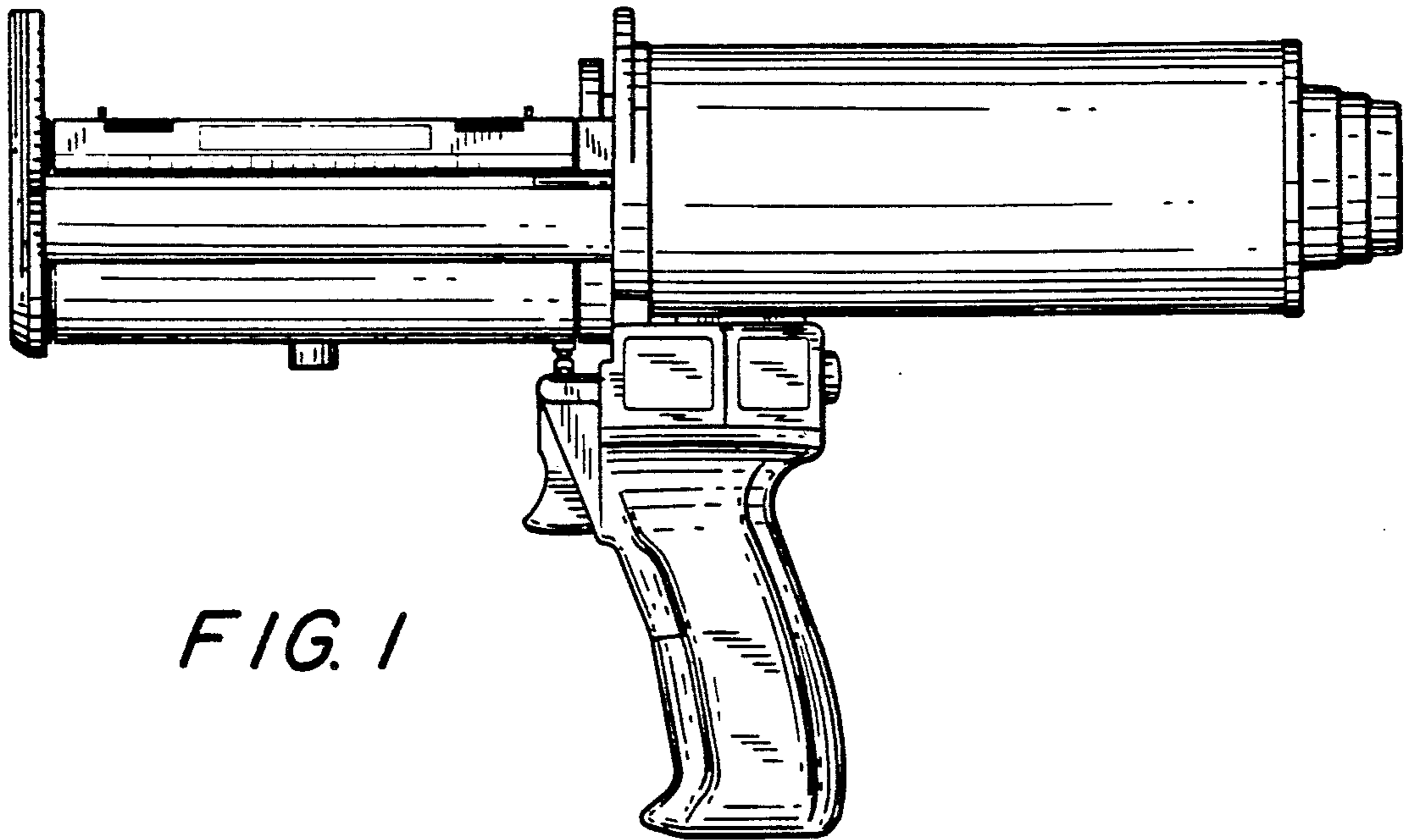


FIG. 1

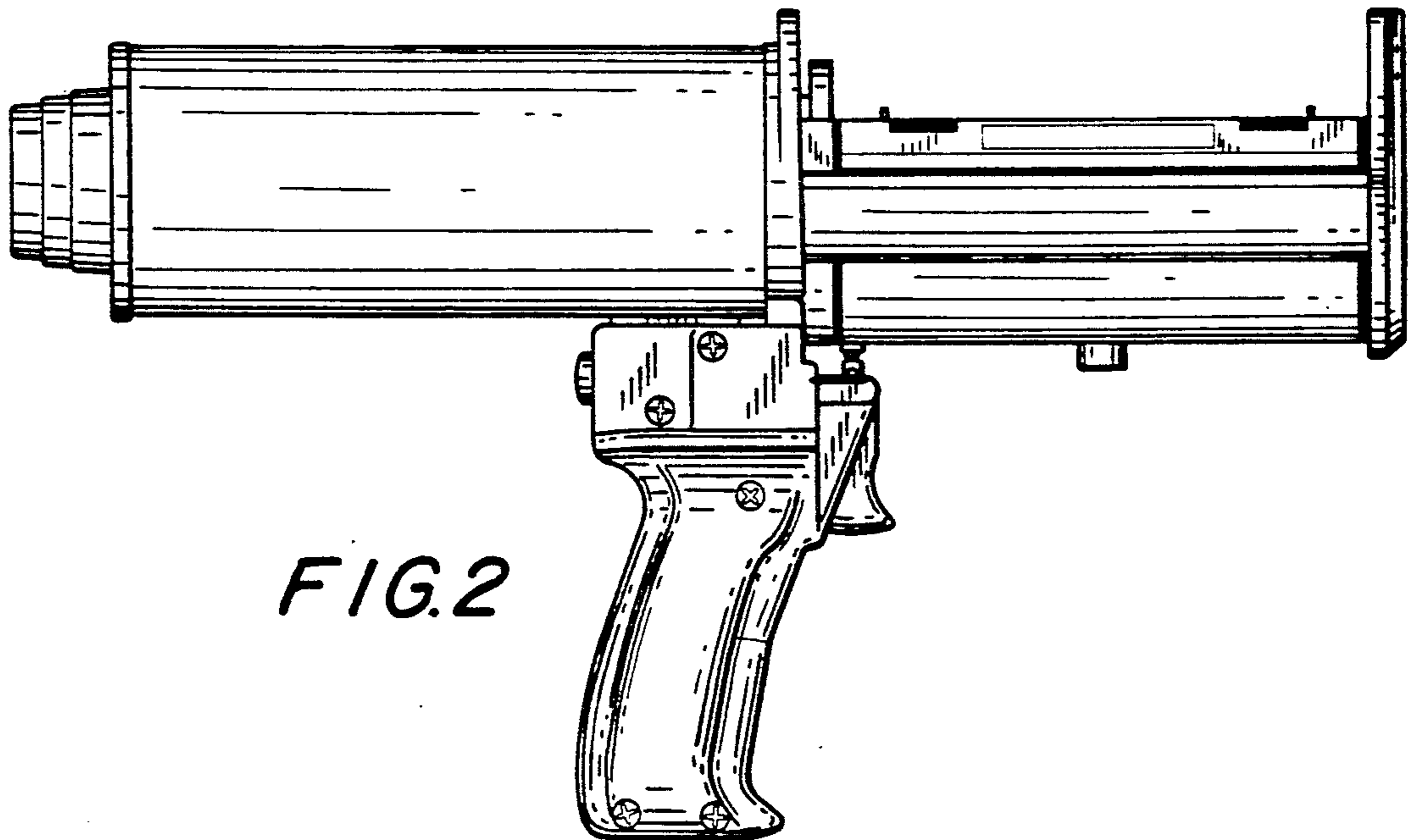


FIG. 2

FIG. 3

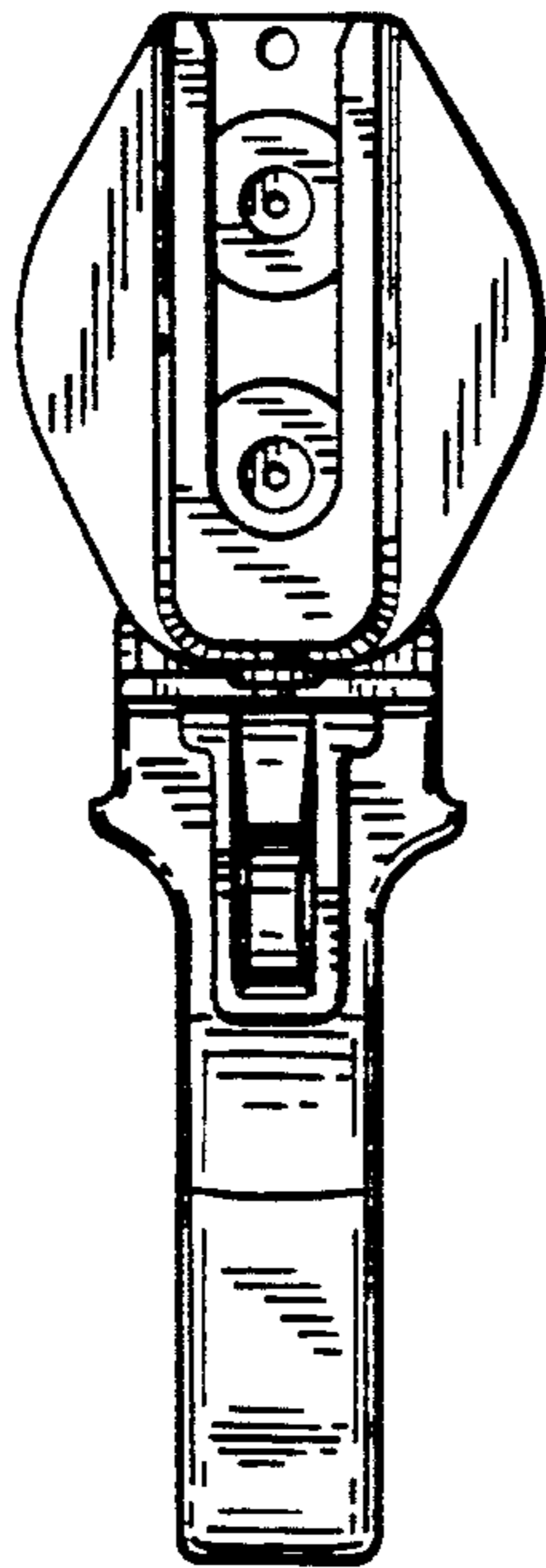


FIG. 4

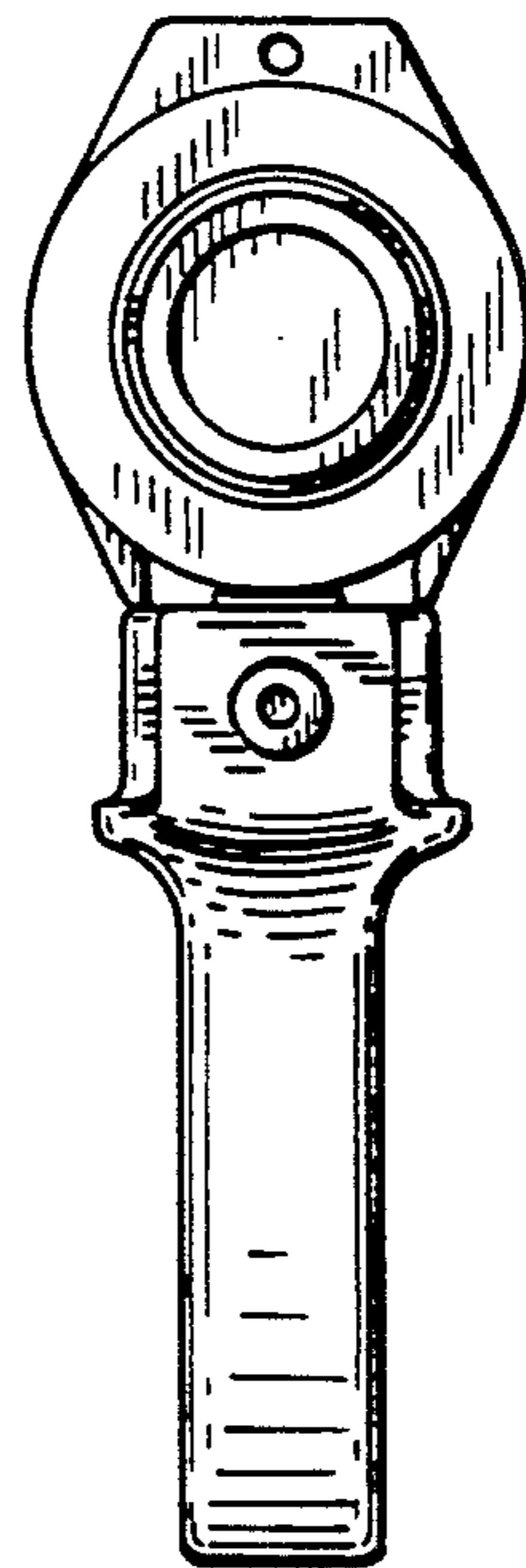


FIG. 5

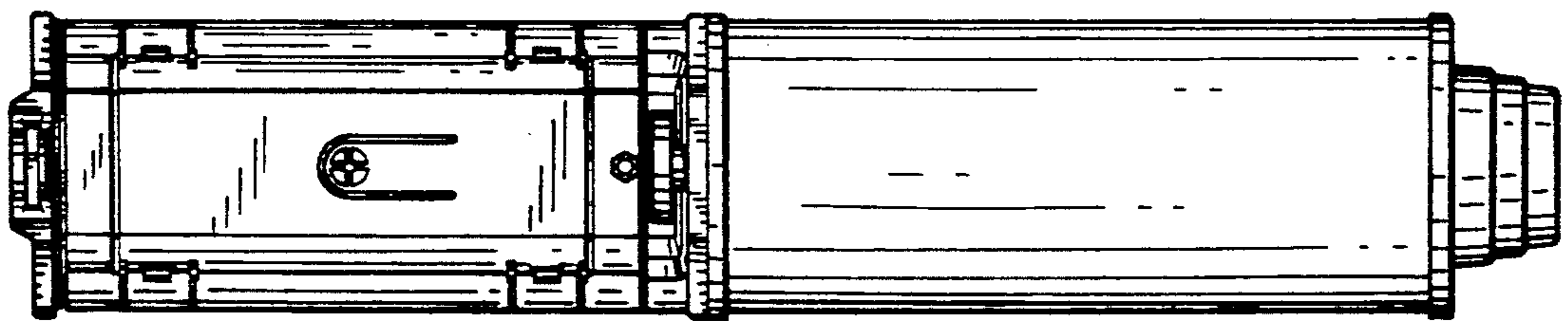


FIG. 6

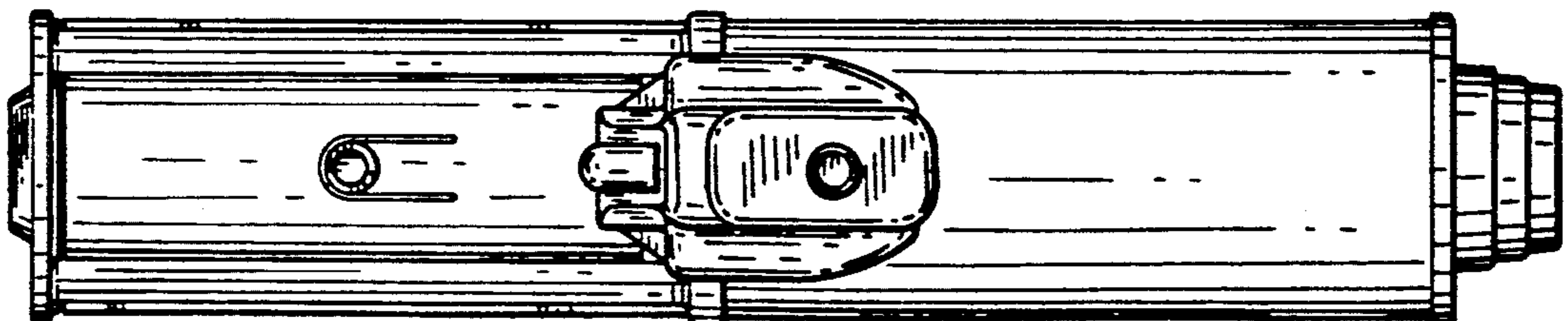


FIG. 7

