



US00D328552S

United States Patent [19]

[11] Patent Number: **Des. 328,552**

Lee

[45] Date of Patent: **** Aug. 11, 1992**

[54] **HAND-OPERATED JUICER OR SIMILAR ARTICLE**

Primary Examiner—Terry A. Pfeffer
Attorney, Agent, or Firm—Christensen, O'Connor, Johnson & Kindness

[76] Inventor: **Ming-Hsiang Lee**, No. 2, Hsin-Jen Rd., Tainan City, Taiwan

[57] **CLAIM**

[**] Term: **14 Years**

The ornamental design for hand-operated juicer or similar article, as shown and described.

[21] Appl. No.: **466,689**

DESCRIPTION

[22] Filed: **Jan. 17, 1990**

[52] U.S. Cl. **D7/666**

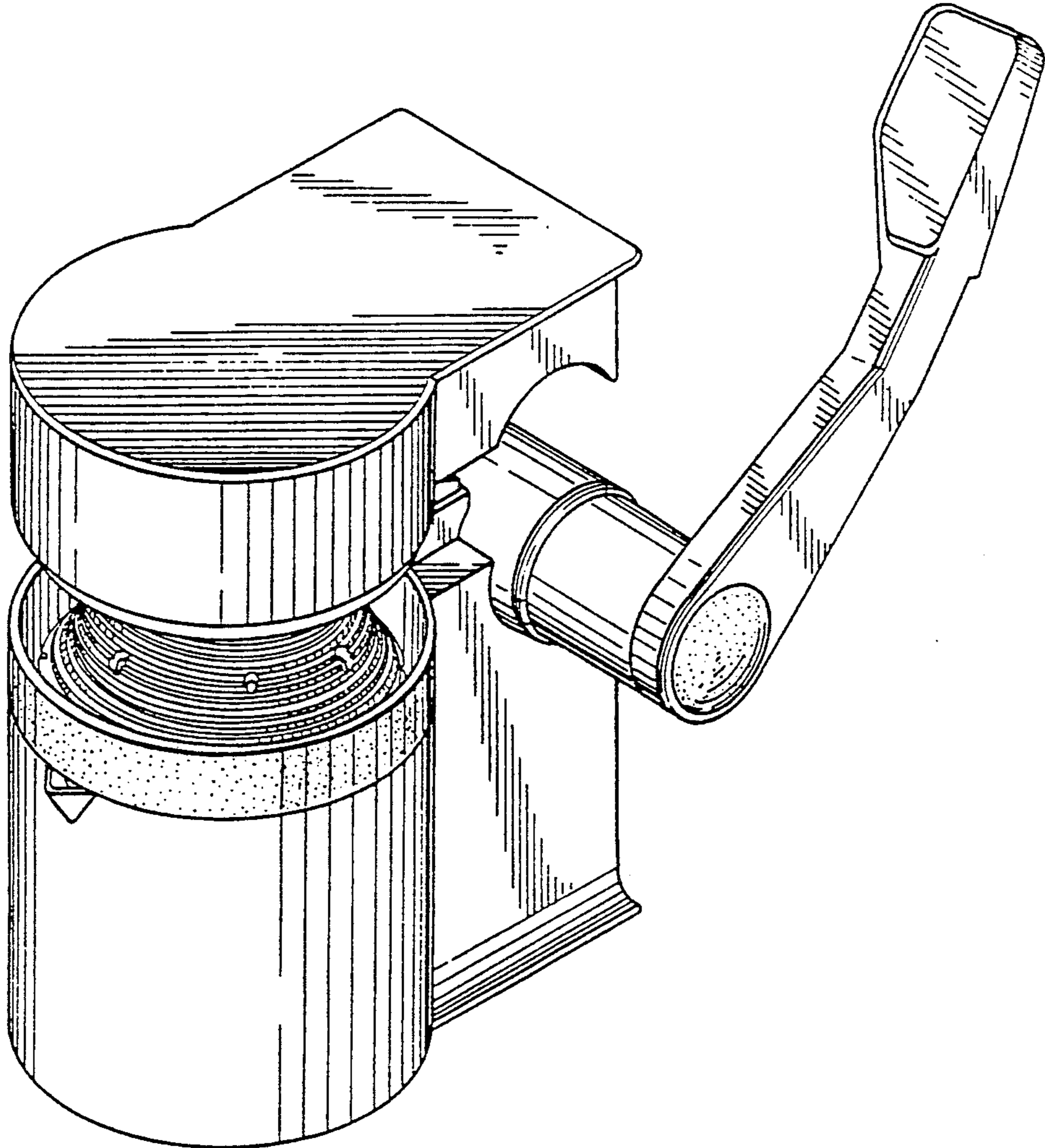
[58] Field of Search **D7/372-374, D7/665, 666; 99/501-506; 100/98 R, 107, 213**

FIG. 1 is a perspective view of hand-operated juicer or similar article showing my new design; FIG. 2 is a front elevational view thereof; FIG. 3 is a rear elevational view thereof; FIG. 4 is a left side view thereof; FIG. 5 is a right side view thereof; FIG. 6 is a top plan view thereof; and, FIG. 7 is a bottom plan view thereof.

[56] **References Cited**

U.S. PATENT DOCUMENTS

- D. 150,308 7/1948 Mariani D7/666
- D. 304,141 10/1989 Li D7/666



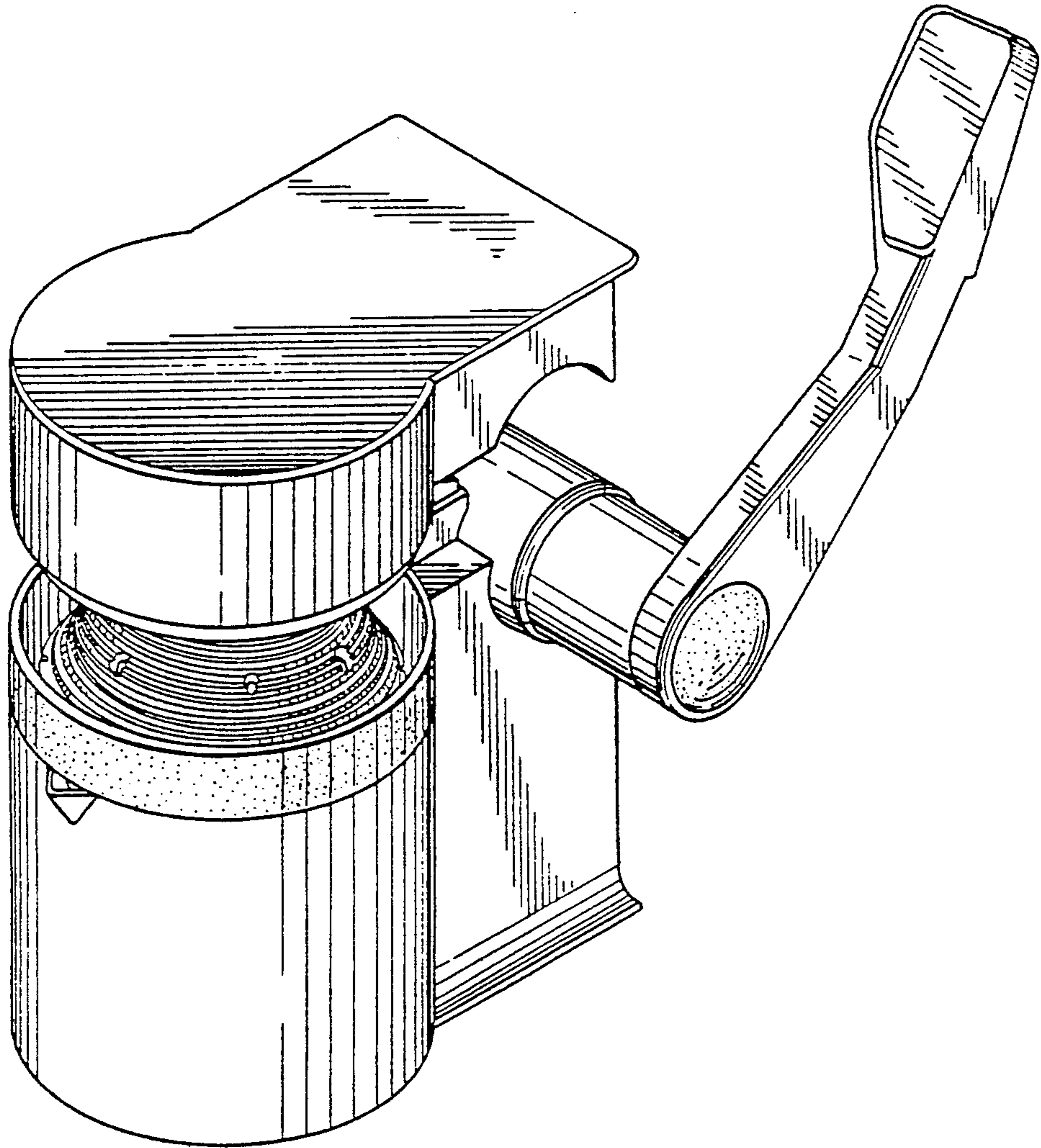


FIG. 1

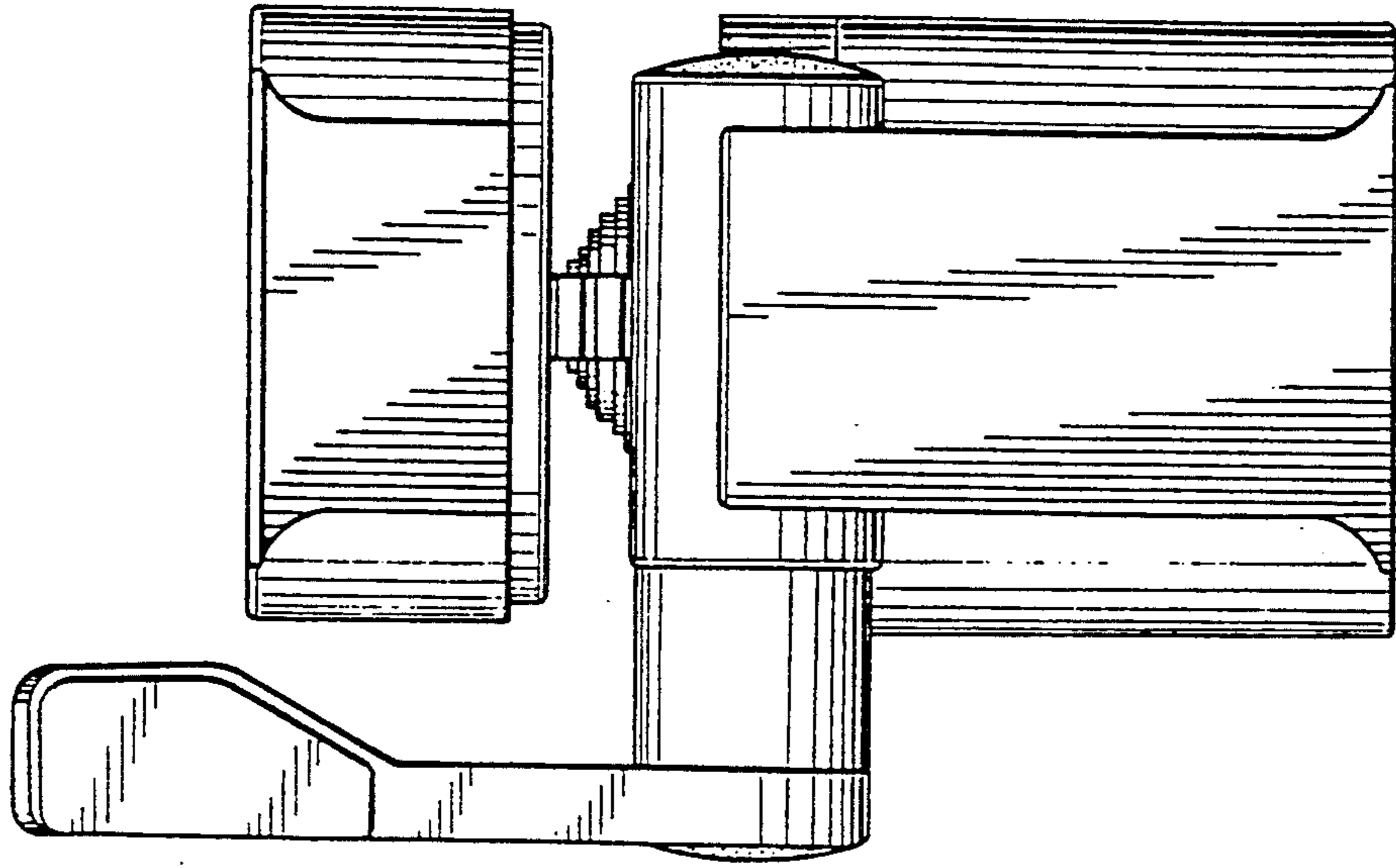


FIG. 3

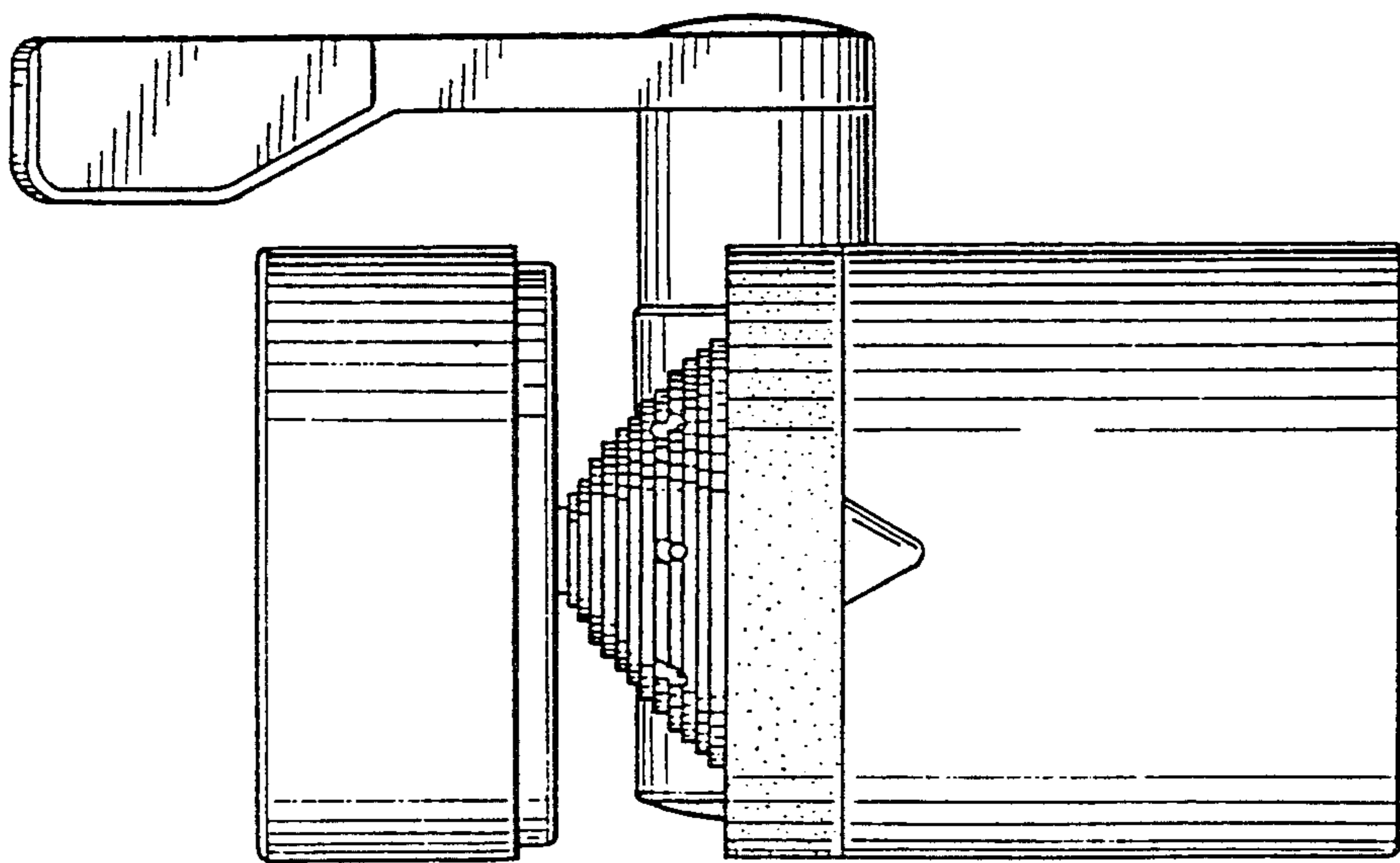


FIG. 2

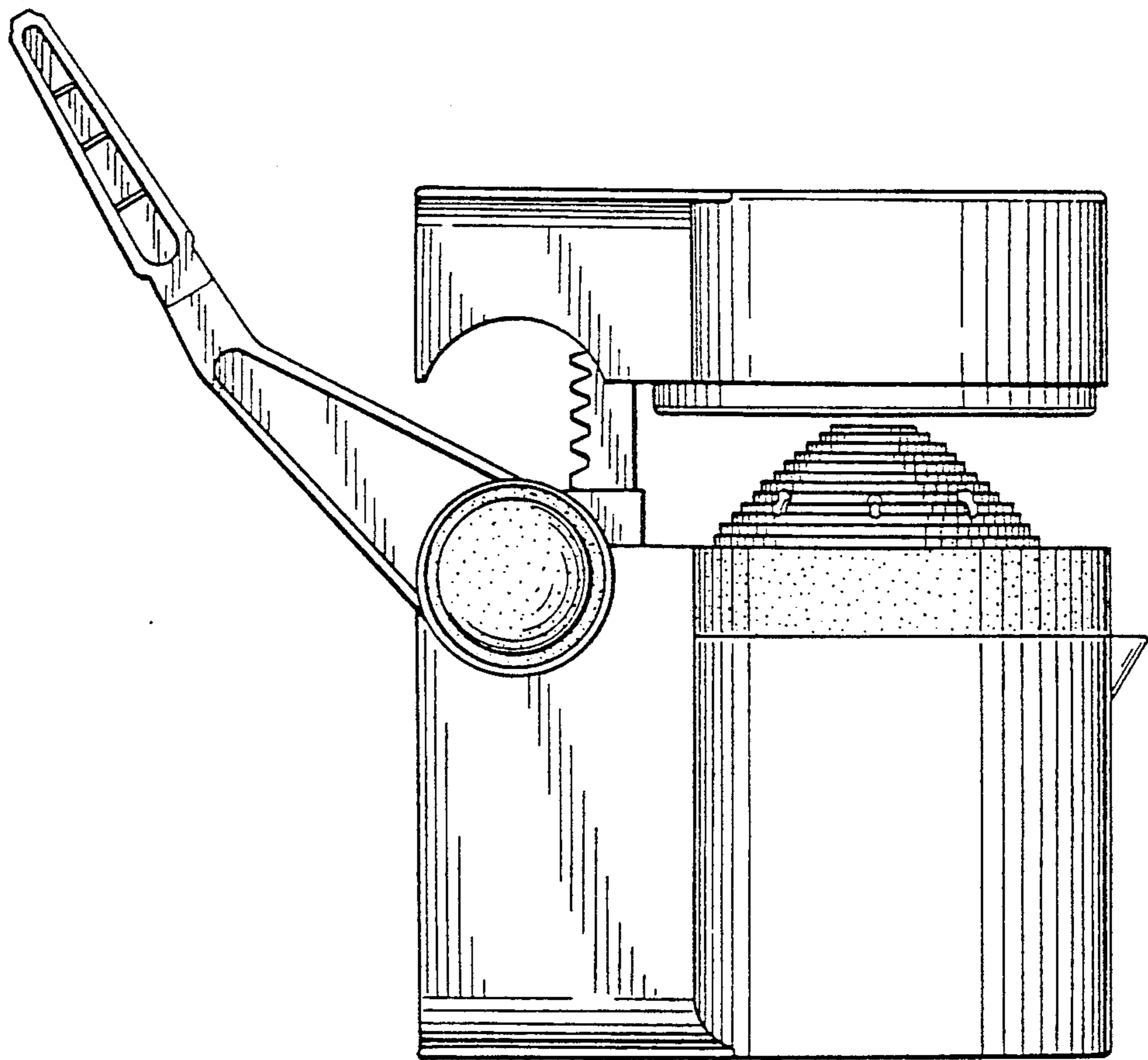


FIG. 4

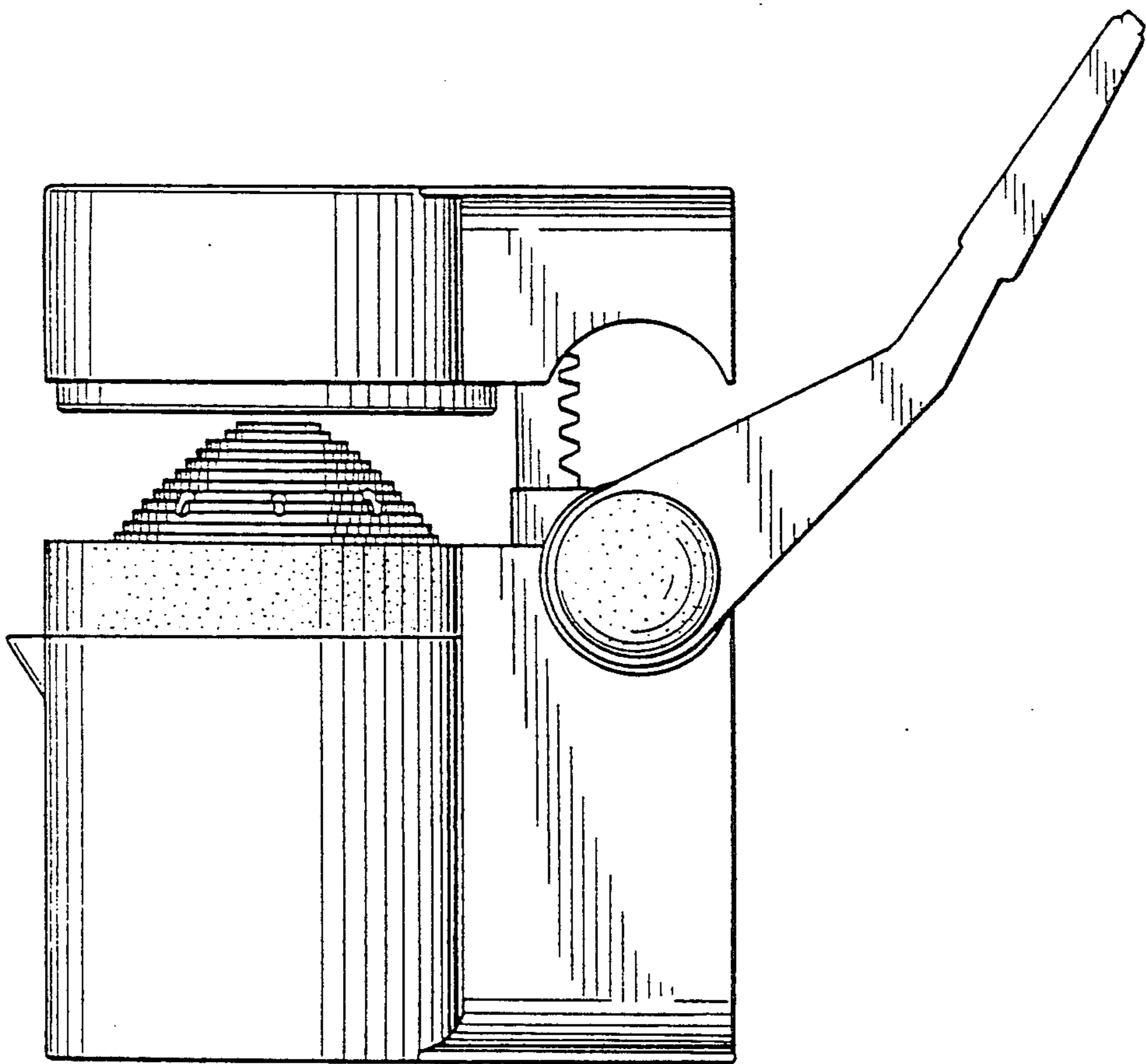


FIG. 5

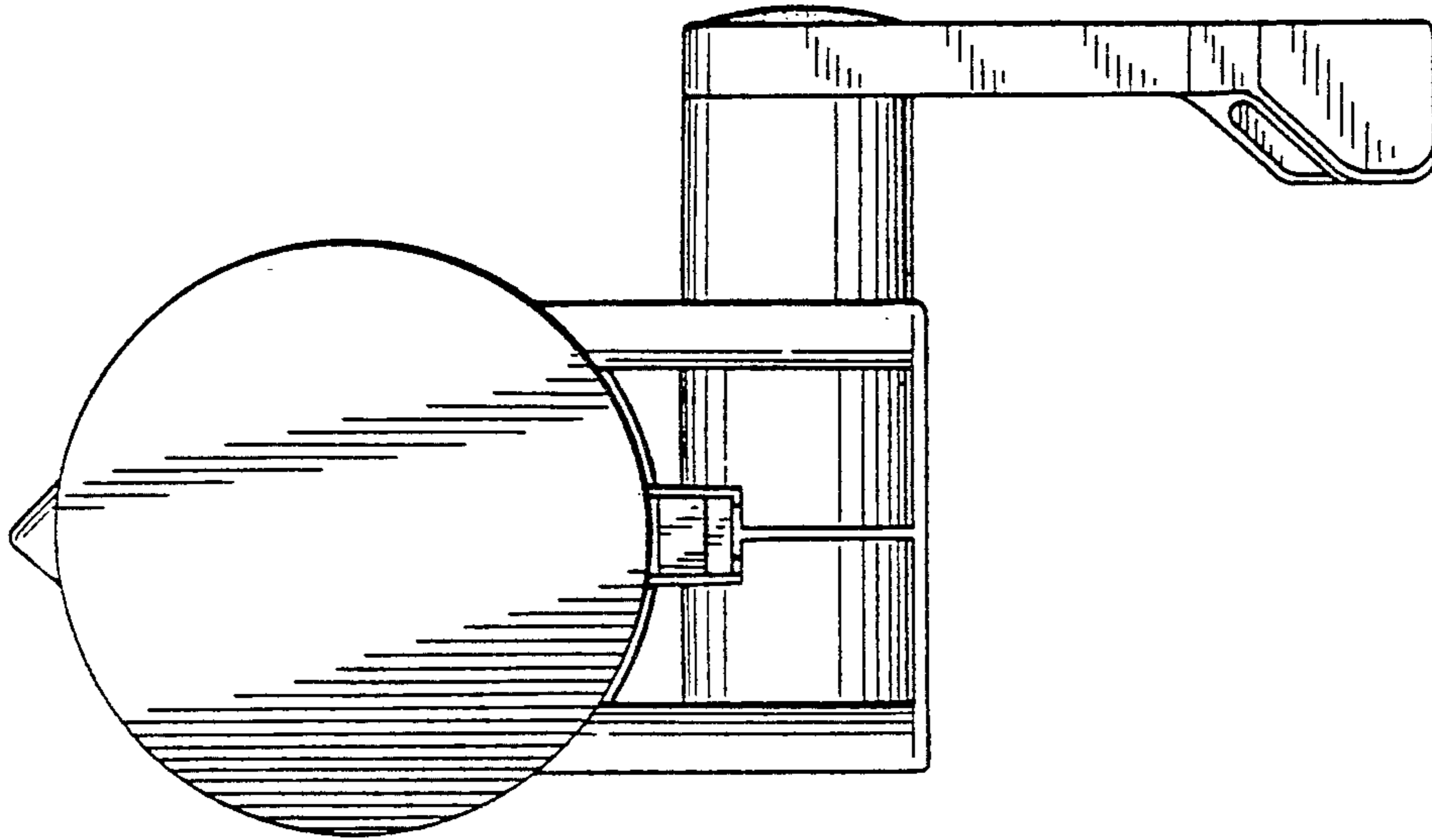


FIG. 7

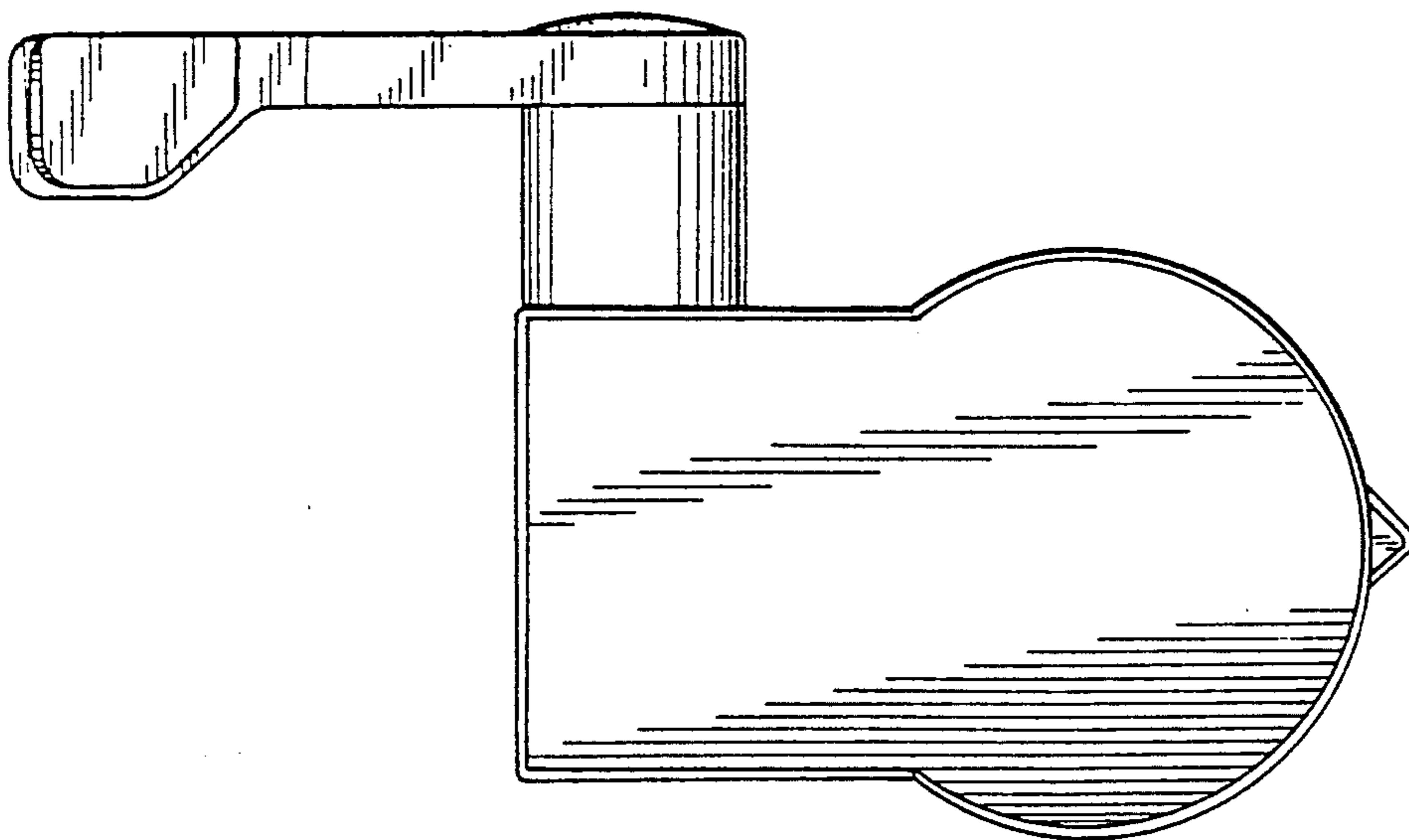


FIG. 6