



US00D328546S

# United States Patent [19]

[11] Patent Number: **Des. 328,546**

Unger

[45] Date of Patent: **\*\* Aug. 11, 1992**

[54] **COFFEE POT WITH LID OR SIMILAR ARTICLE**

[75] Inventor: **Steve A. Unger, Manilus, N.Y.**

[73] Assignee: **Syracuse China Corporation, Syracuse, N.Y.**

[\*\*] Term: **14 Years**

[21] Appl. No.: **321,548**

[22] Filed: **Mar. 10, 1989**

[52] U.S. Cl. .... **D7/317**

[58] Field of Search ..... **D7/316-319, D7/321, 300, 312, 320, 322, 302, 303**

[56] **References Cited**

**U.S. PATENT DOCUMENTS**

D. 2,946	3/1868	Wilcox	.....	D7/321
D. 63,882	2/1924	Curtiss	.....	D7/321
D. 184,874	4/1959	James	.....	D7/321

**OTHER PUBLICATIONS**

*Tricolorator Co., Inc.*, Catalog © 1925, p. 28, top panel—"Coffee Pot"/3 Pt. Crystal Pyrex Glass.

*Tableware International*, Jun. 1988, p. 57 lower left panel, Coffee Pot with Ball Knob on Lid-Handle on cup 4 pot. Vitrified Porcelain.

*Primary Examiner*—Donald P. Walsh

*Assistant Examiner*—M. N. Pandozzi

*Attorney, Agent, or Firm*—Cushman, Darby & Cushman

[57] **CLAIM**

The ornamental design for coffee pot with lid or similar article, as shown and described.

**DESCRIPTION**

FIG. 1 is a side elevational view of a coffee pot or similar article including a lid showing my new design; FIG. 2 is a top plan view thereof;

FIG. 3 is a cross-sectional view thereof taken along line 3—3 of FIG. 2;

FIG. 4 is a bottom plan view thereof; and

FIG. 5 is an end elevational view thereof from the handle end; and,

FIG. 6 is an end elevational view thereof from the spout end.

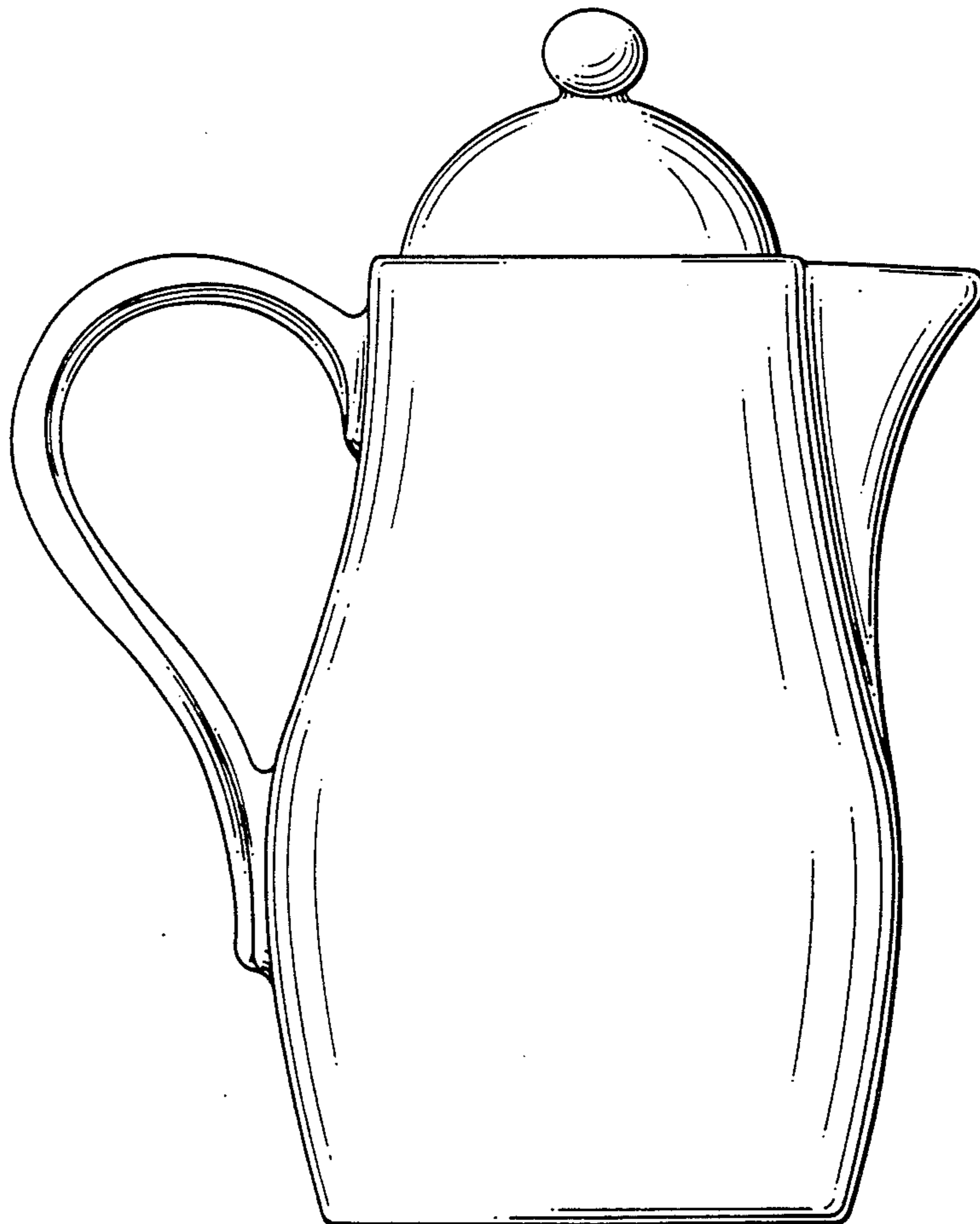
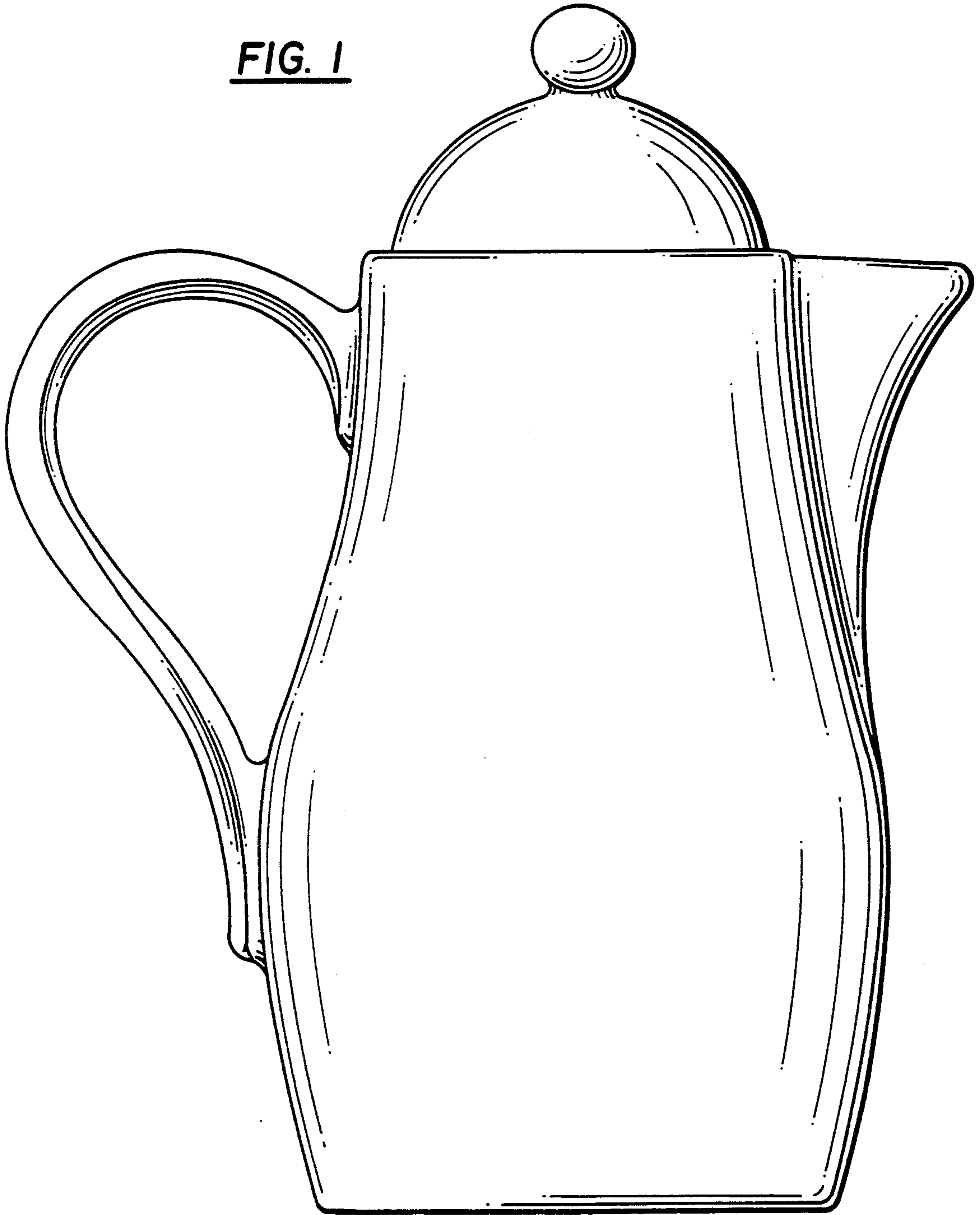


FIG. 1



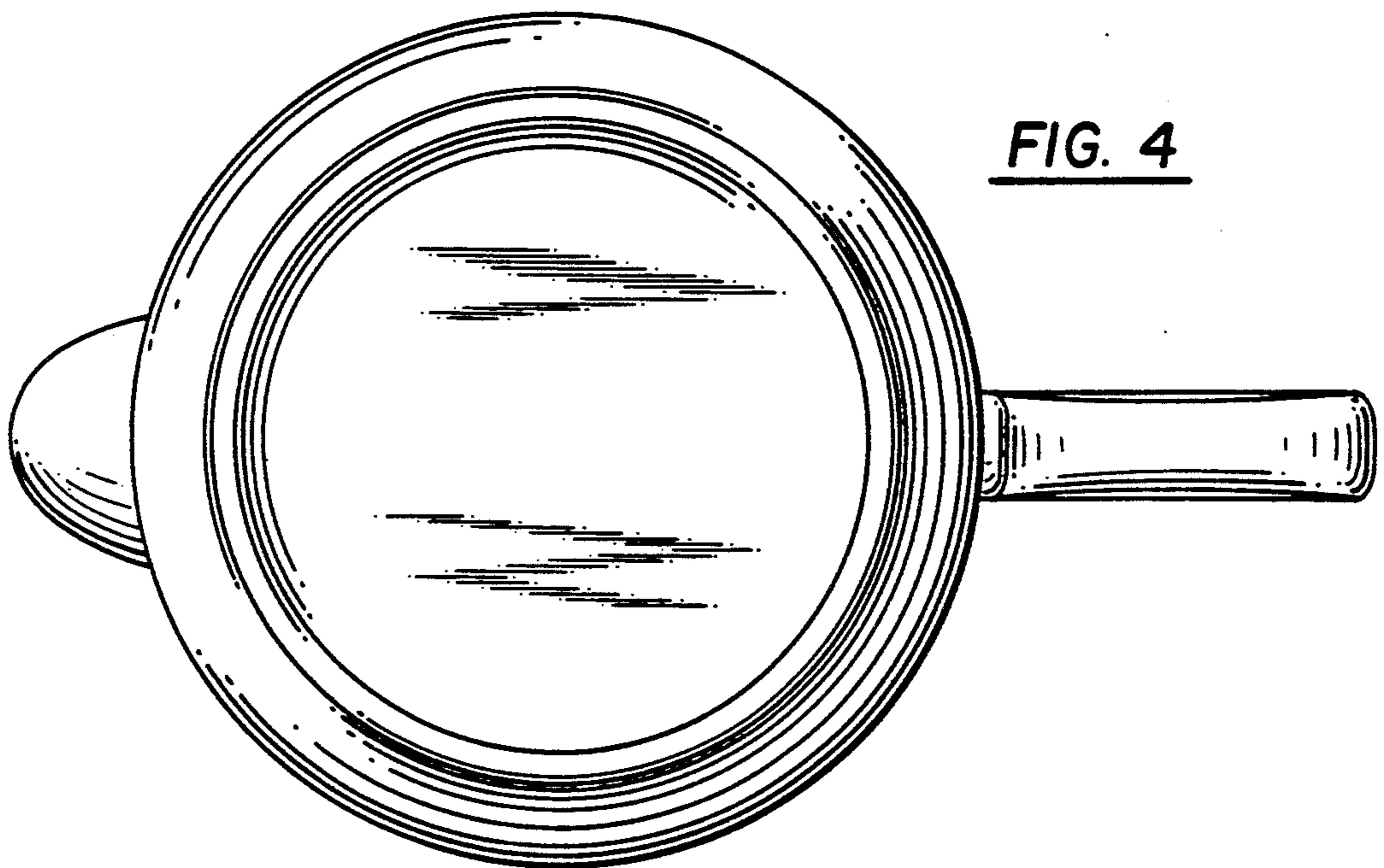
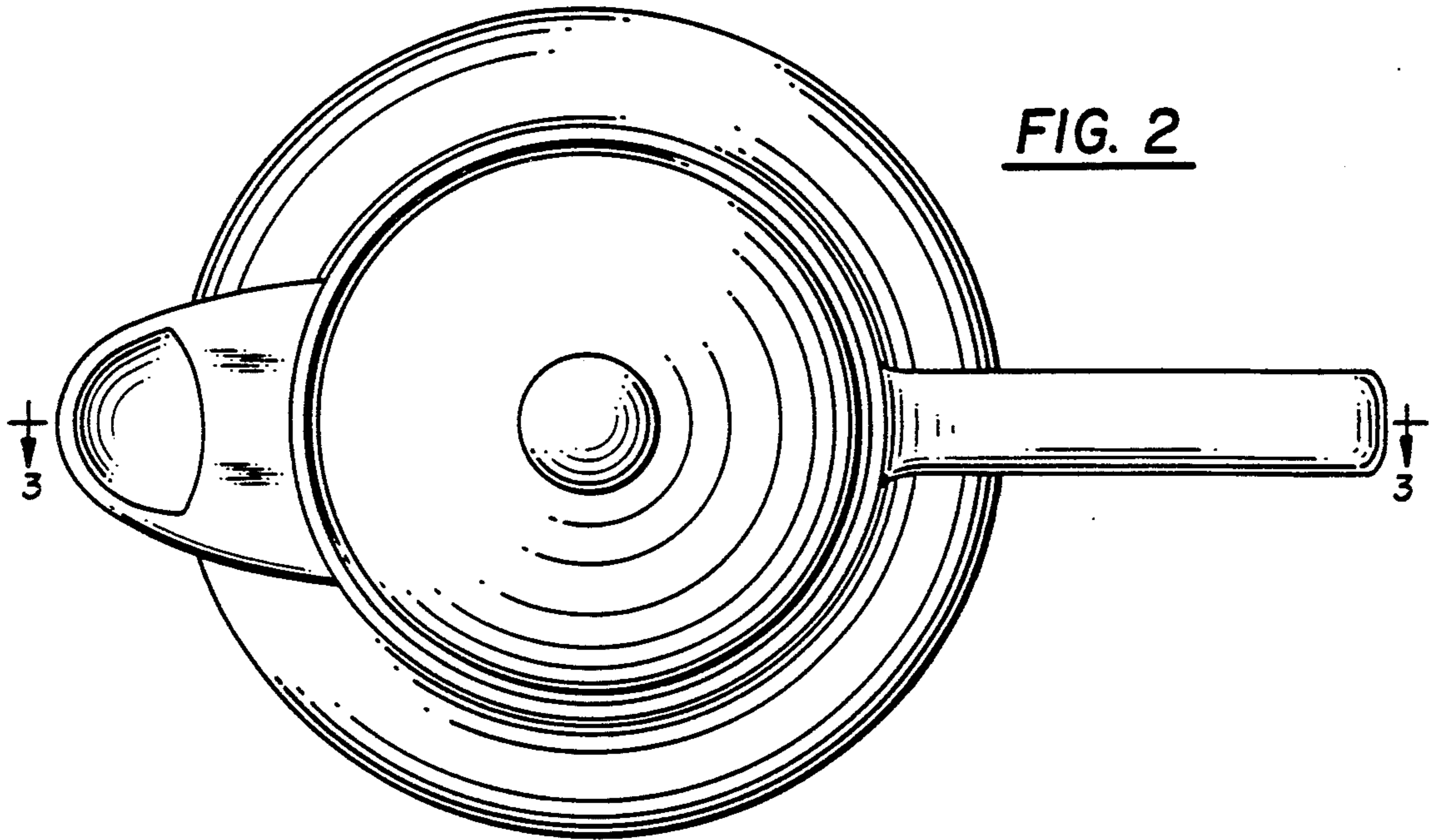


FIG. 3

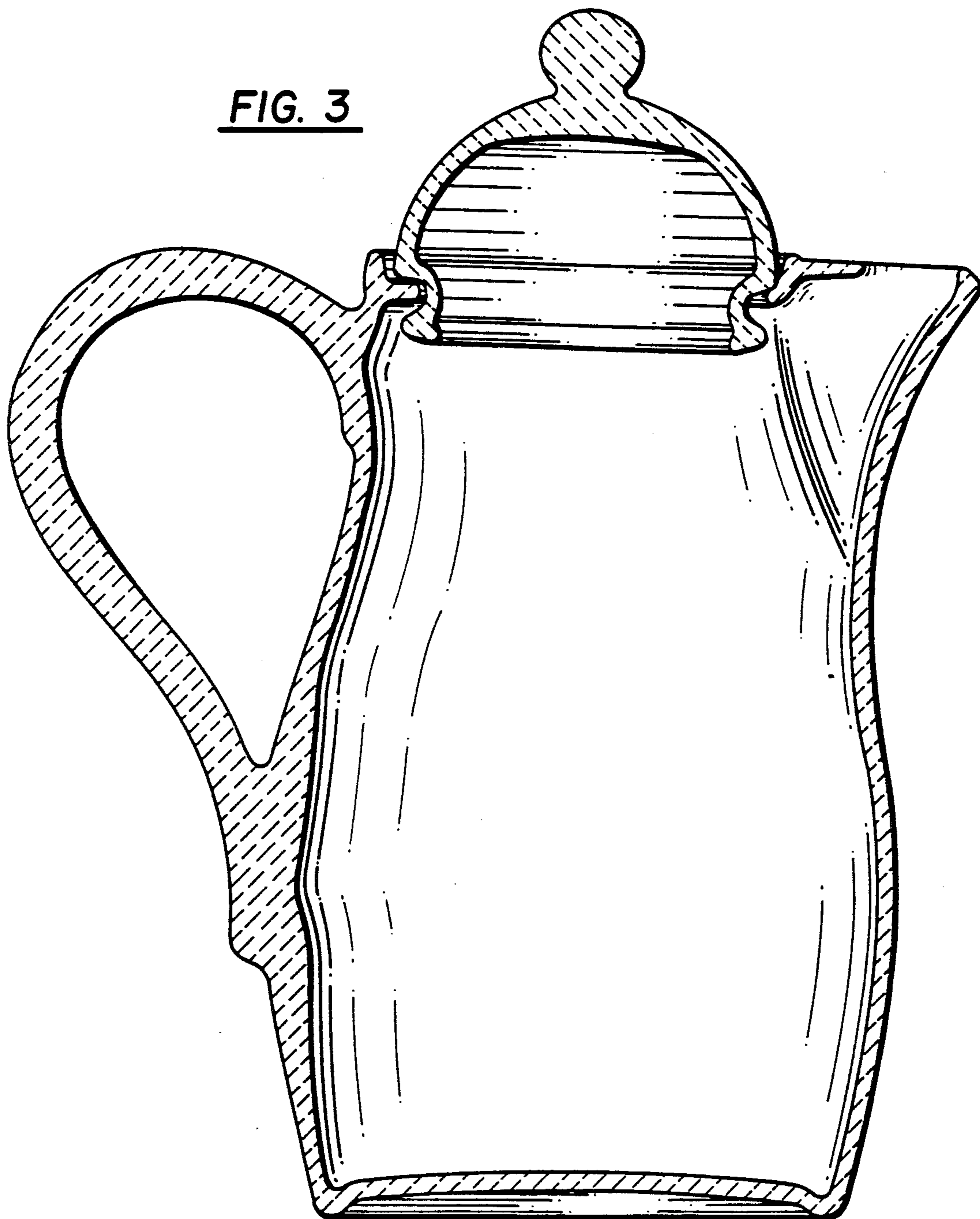


FIG. 5



FIG. 6

