



US00D328545S

United States Patent [19]

[11] Patent Number: **Des. 328,545**

Szaro

[45] Date of Patent: **** Aug. 11, 1992**

[54] BATH MAT

[76] Inventor: **Robert J. Szaro, PSC #2, Box 4787
EAFB, Elmendorf, Ak. 99506**

[**] Term: **14 Years**

[21] Appl. No.: **330,098**

[22] Filed: **Mar. 29, 1989**

[52] U.S. Cl. **D6/583**

[58] Field of Search **D6/582-586;
4/571, 581-583; D23/303, 304**

[56] **References Cited**

U.S. PATENT DOCUMENTS

D. 85,859	12/1931	Capouch	D6/583
2,169,902	8/1939	Ransom	4/583
2,466,502	4/1949	Stiller	D6/583 X
3,341,866	9/1967	Wright	D6/583 X
3,488,081	1/1970	Nolen	D6/583 X

FOREIGN PATENT DOCUMENTS

2108838 5/1983 United Kingdom 4/581

Primary Examiner—Carmen H. Vales-Lado

Assistant Examiner—Janice E. Seeger

Attorney, Agent, or Firm—Leon Gilden

[57] **CLAIM**

The ornamental design for a bath mat, as shown and described.

DESCRIPTION

FIG. 1 is a side elevational view of a bath mat, showing my new design;

FIG. 2 is an elevational view, showing the side not shown in FIG. 1;

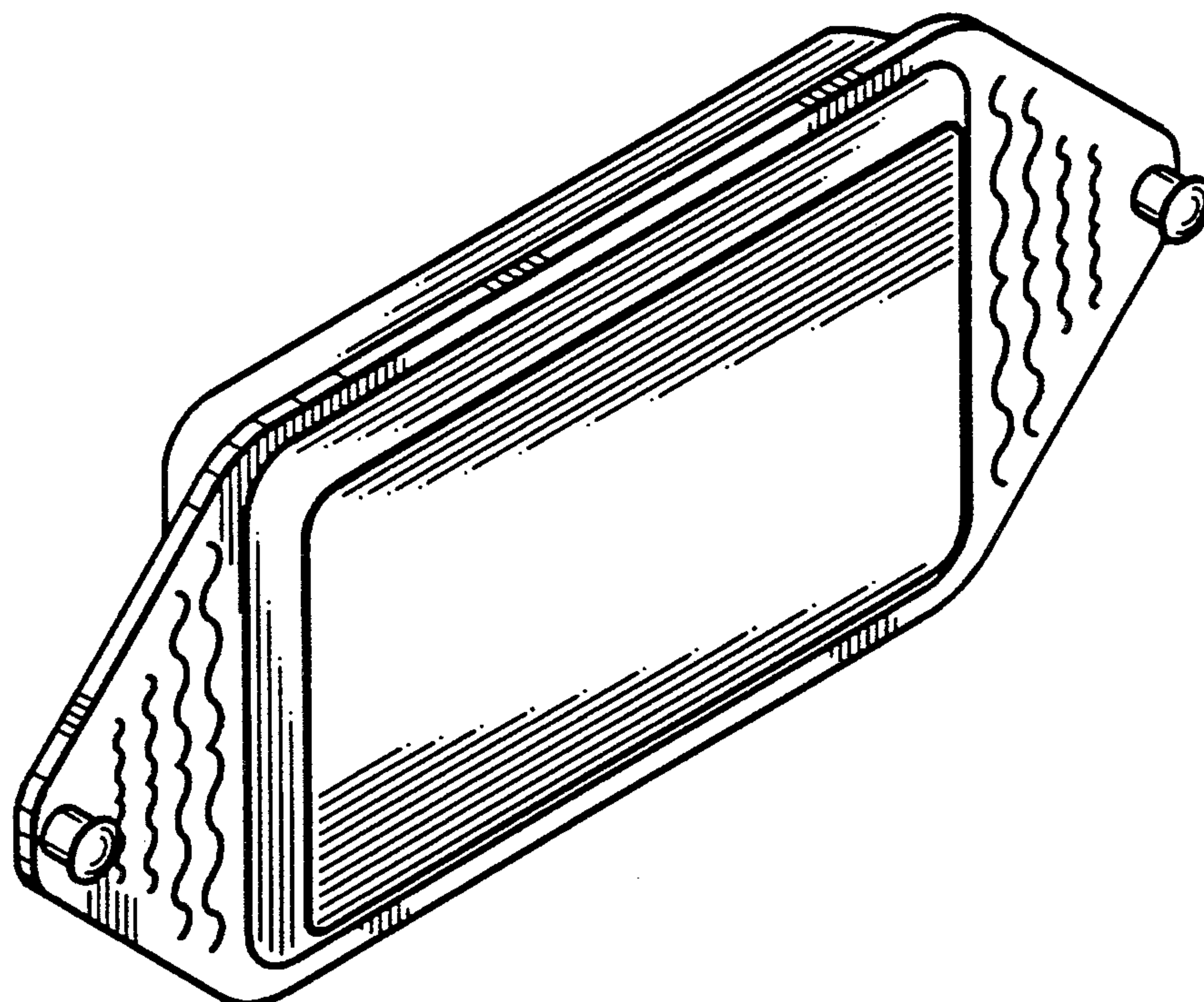
FIG. 3 is an end elevational view;

FIG. 4 is an elevational view, showing the end not shown in FIG. 3;

FIG. 5 is a top plan view;

FIG. 6 is a bottom plan view; and,

FIG. 7 is a perspective view thereof.



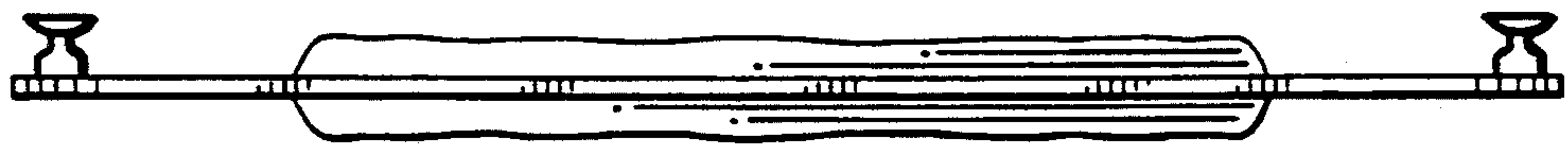


Fig. 1

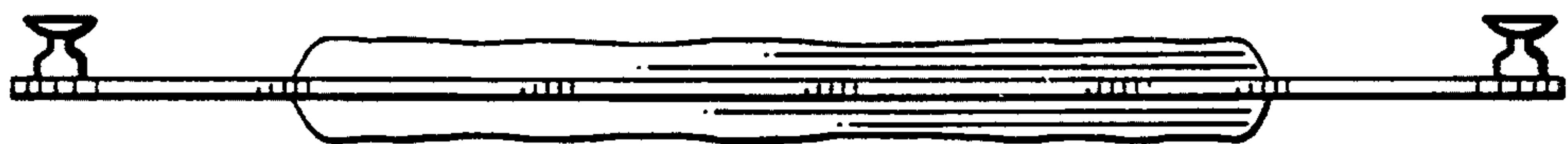


Fig. 2



FIG. 3



FIG. 4

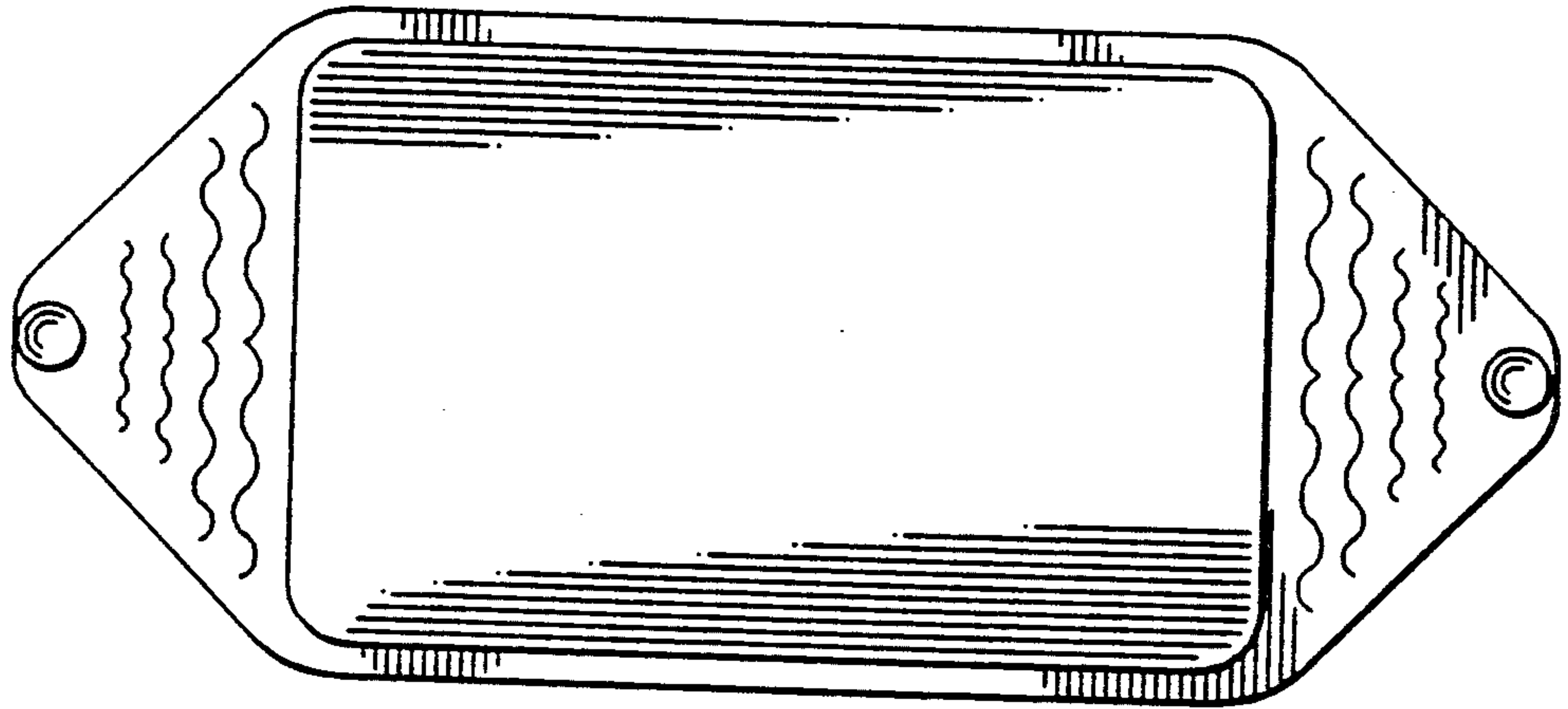


Fig. 5

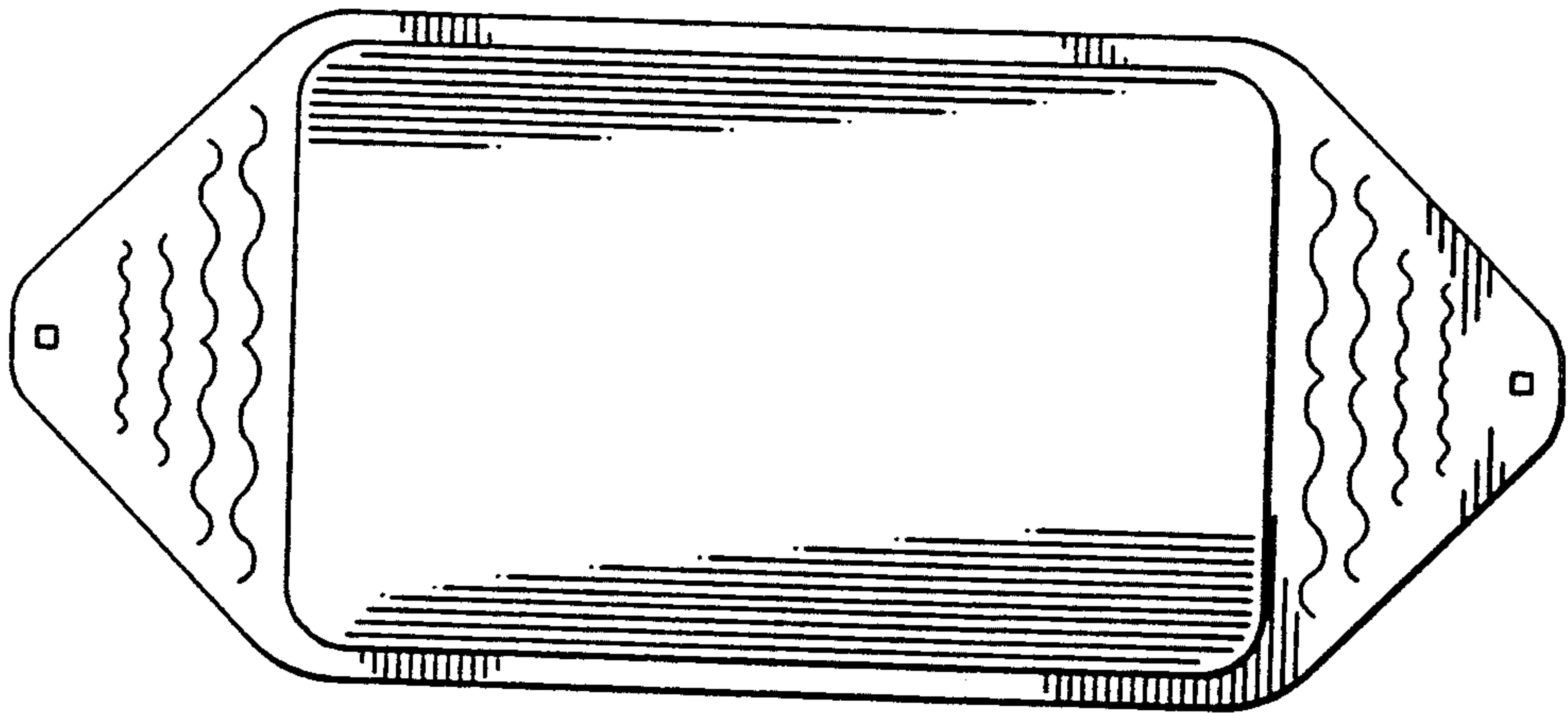


Fig. 6

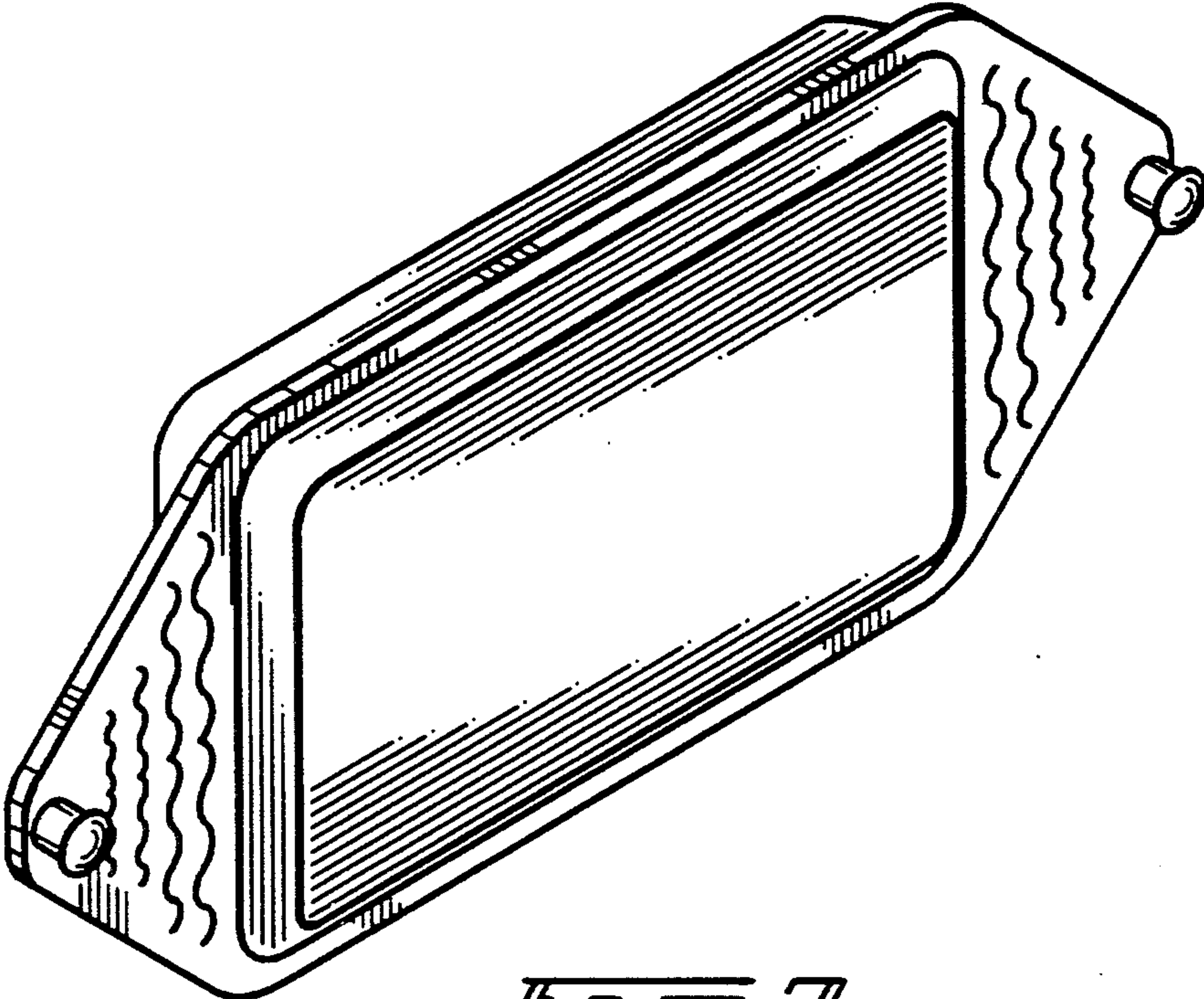


FIG. 4