



US00D328544S

United States Patent [19]

[11] Patent Number: **Des. 328,544**

Salazar

[45] Date of Patent: **** Aug. 11, 1992**

- [54] **RACK FOR FISHING TACKLE**
- [75] Inventor: **Scott Salazar**, P.O. Box 14855, North Palm Beach, Fla. 33408
- [73] Assignee: **Scott Salazar**, North Palm Beach, Fla.
- [**] Term: **14 Years**
- [21] Appl. No.: **431,864**
- [22] Filed: **Nov. 3, 1989**

D. 314,486	2/1991	Day	D6/574 X
2,903,137	9/1959	Brown	.	
2,974,804	3/1961	Maro	D6/574
3,363,775	1/1968	Shaw	211/60
4,125,192	11/1978	Dayen	D6/574 X
4,262,799	4/1981	Perrett	206/363
4,337,860	7/1982	Carrigan	211/70.6 X

FOREIGN PATENT DOCUMENTS

141460	4/1935	Austria	.	
625223	6/1949	United Kingdom	248/206.3

OTHER PUBLICATIONS

Paul Associates Catalog, 1982, p. 97, Shelf.
MaLeck Catalogue, 1980, p. 35, Shelf.

Primary Examiner—A. Hugo Word
Assistant Examiner—Doris V. Coles

[57] CLAIM

The ornamental design for a rack for fishing tackle, as shown and described.

DESCRIPTION

FIG. 1 is a perspective of a rack for fishing tackle, showing my new design;
FIG. 2 is a front elevational view thereof;
FIG. 3 is a top plan view thereof;
FIG. 4 is a bottom plan view thereof; and,
FIG. 5 is a rear elevational view thereof.

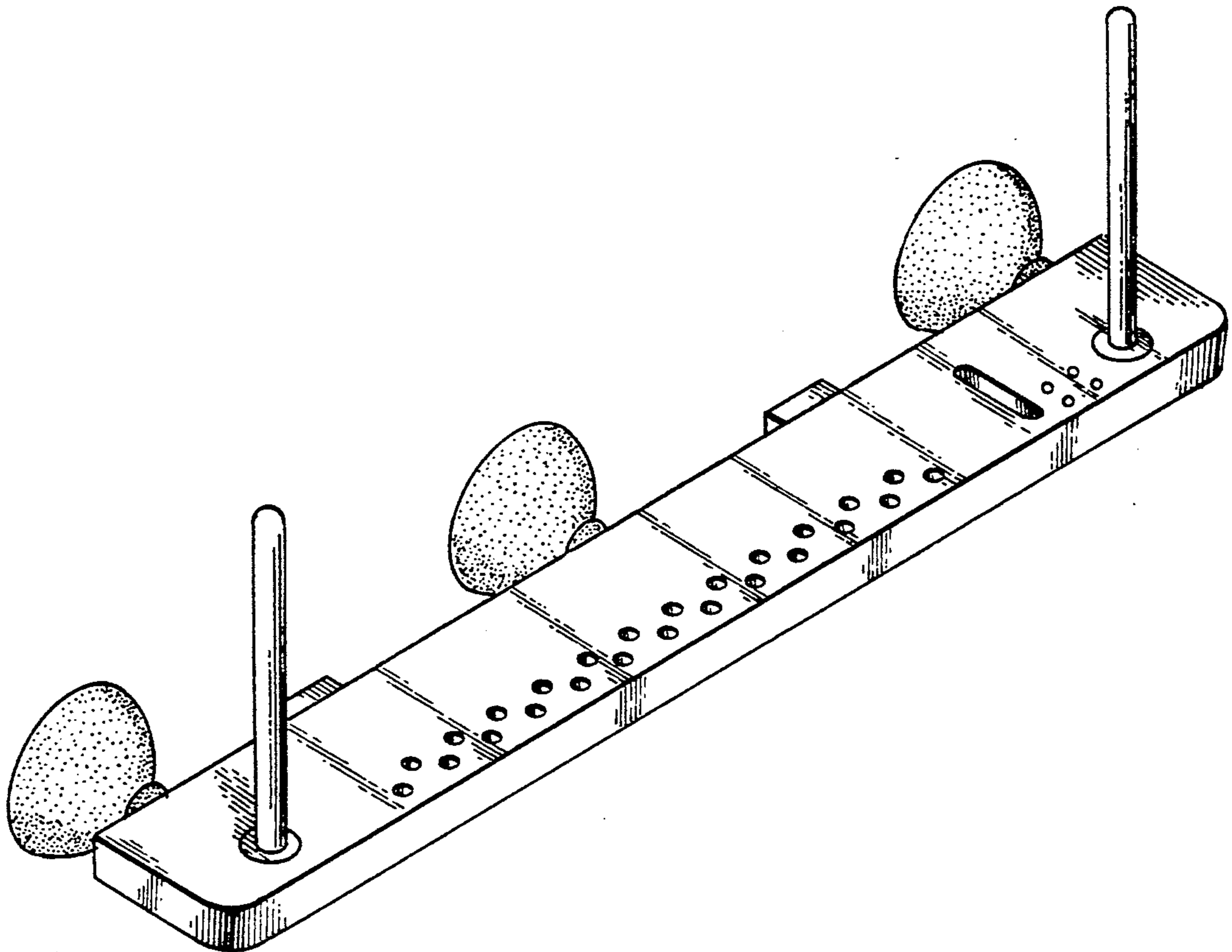
Related U.S. Application Data

- [63] Continuation-in-part of Ser. No. 178,185, Apr. 6, 1988, abandoned.
- [52] U.S. Cl. **D6/552; D6/574; D22/134**
- [58] Field of Search **D22/134, ; D6/552, 553, D6/574, 567; 248/206.3; 211/13, 70.06, 87, 73; D7/637-638; D3/38**

References Cited

U.S. PATENT DOCUMENTS

D. 024,378	6/1895	Wanderer	D6/574
D. 171,595	3/1954	Harriton	D6/541
D. 267,059	11/1982	Thompson	D6/574
D. 299,687	2/1989	Handler et al.	D6/574



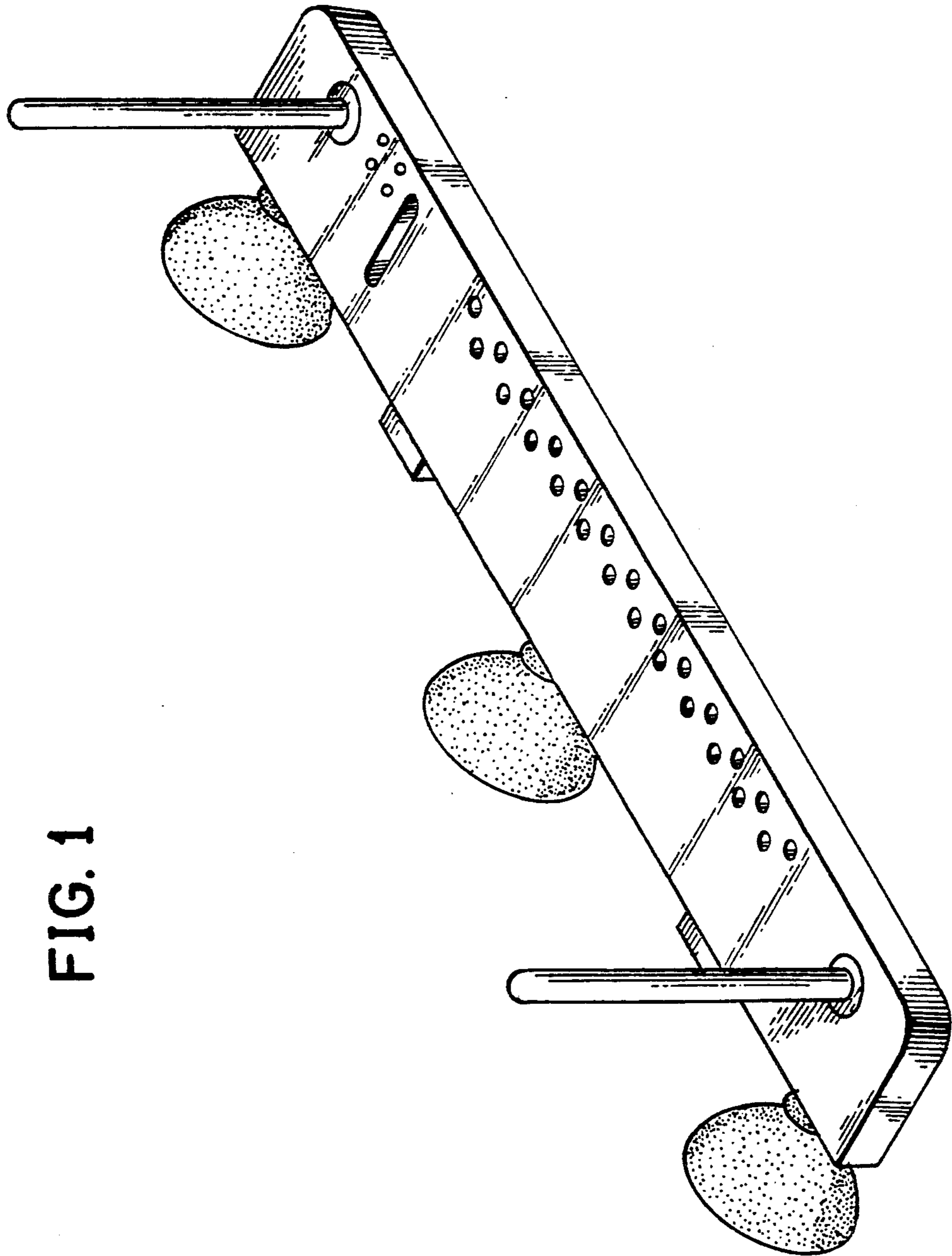


FIG. 1

FIG. 2

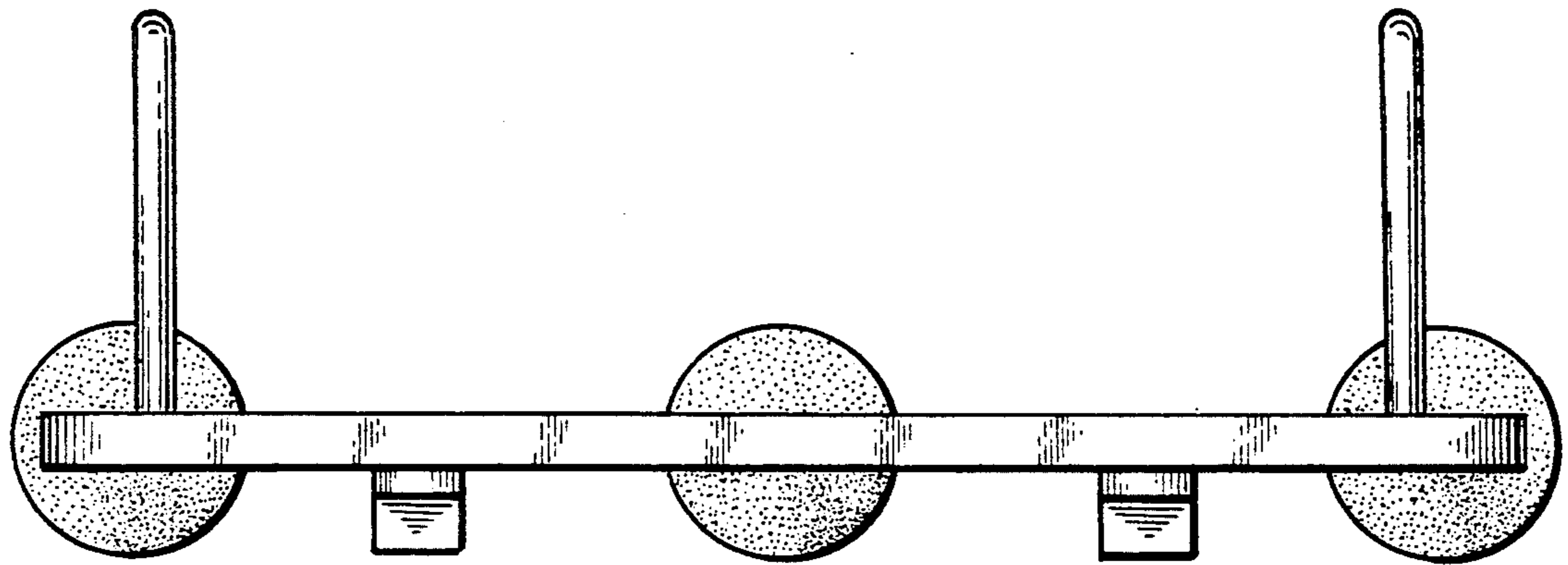


FIG. 3

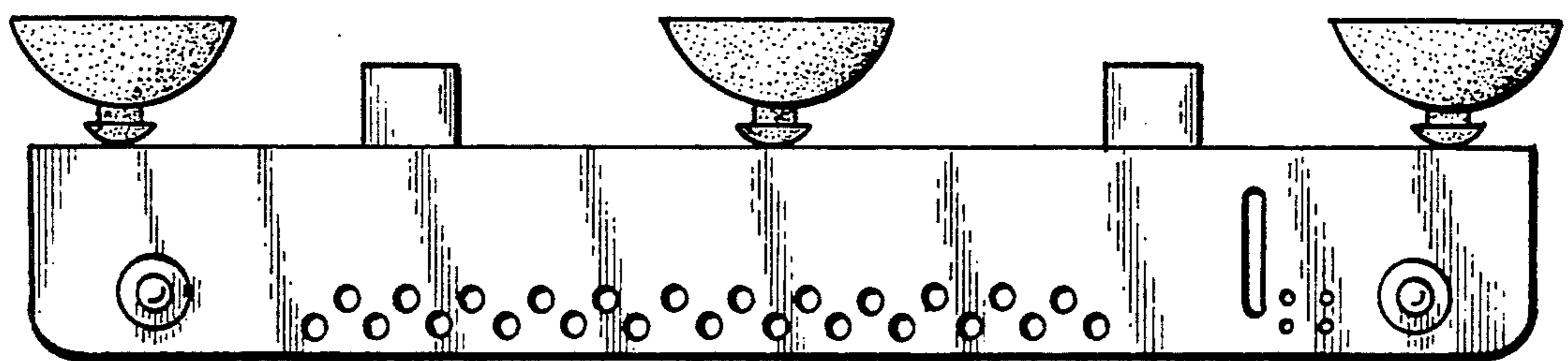


FIG. 4

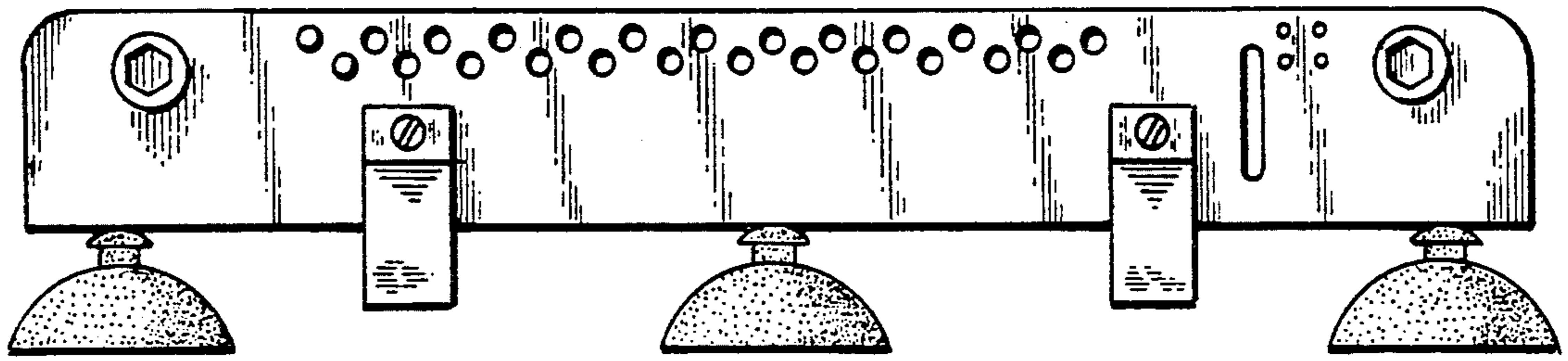


FIG. 5

