



US00D328543S

United States Patent [19]

[11] Patent Number: **Des. 328,543**

Kringel et al.

[45] Date of Patent: **** Aug. 11, 1992**

[54] **COUPON DISPENSER**

[75] Inventors: **George N. Kringel, Westport; Gordon Bruce, New Milford, both of Conn.**

[73] Assignee: **Actmedia, Inc., Norwalk, Conn.**

[**] Term: **14 Years**

[21] Appl. No.: **539,675**

[22] Filed: **Jun. 18, 1990**

[52] U.S. Cl. **D6/515**

[58] Field of Search **D6/515, 517-518; D9/339; D99/34; 206/233, 389; 221/22, 26, 33, 45, 282-286; 222/173, 180; 242/55.2, 55.54, 55.53**

[56] **References Cited**

U.S. PATENT DOCUMENTS

D. 312,368 11/1990 Andriash D6/518
4,570,868 2/1986 Wiggs et al. 242/55.53

Primary Examiner—Brian N. Vinson
Attorney, Agent, or Firm—St. Onge Steward Johnston & Reens

[57] **CLAIM**

The ornamental design for a coupon dispenser, as shown and described.

DESCRIPTION

FIG. 1 is a top, front, and right side perspective view of a coupon dispenser showing our new design, the broken-line disclosure of a shelf-mounting element being for illustrative purposes only and forming no part of the claimed design;

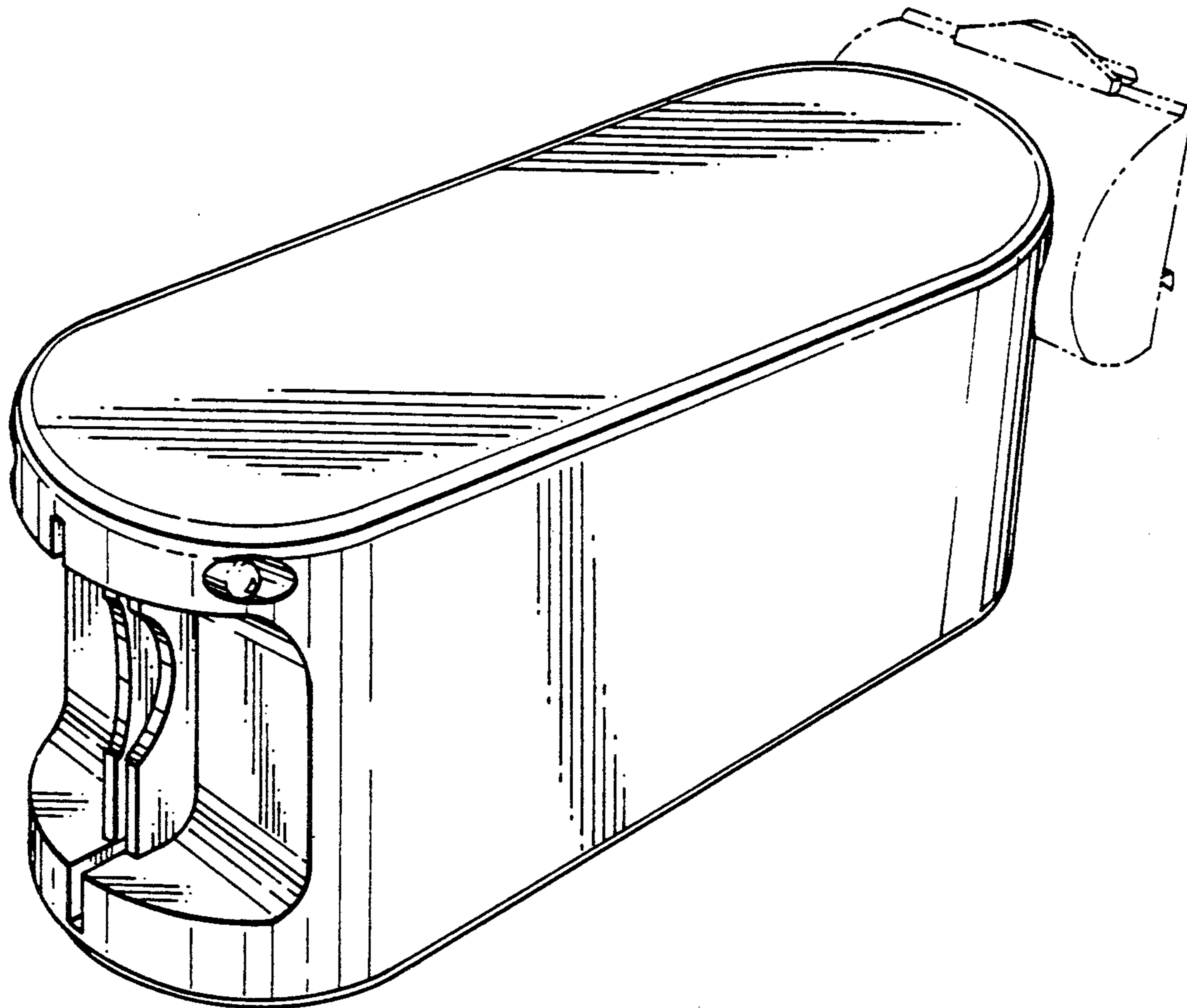
FIG. 2 is a top plan view thereof, the bottom being identical in appearance;

FIG. 3 is a partial horizontal cross-sectional view thereof, taken along line 3—3 of FIG. 5;

FIG. 4 is a right side elevational view thereof;

FIG. 5 is a front elevational view thereof; and,

FIG. 6 is a rear elevational view thereof.



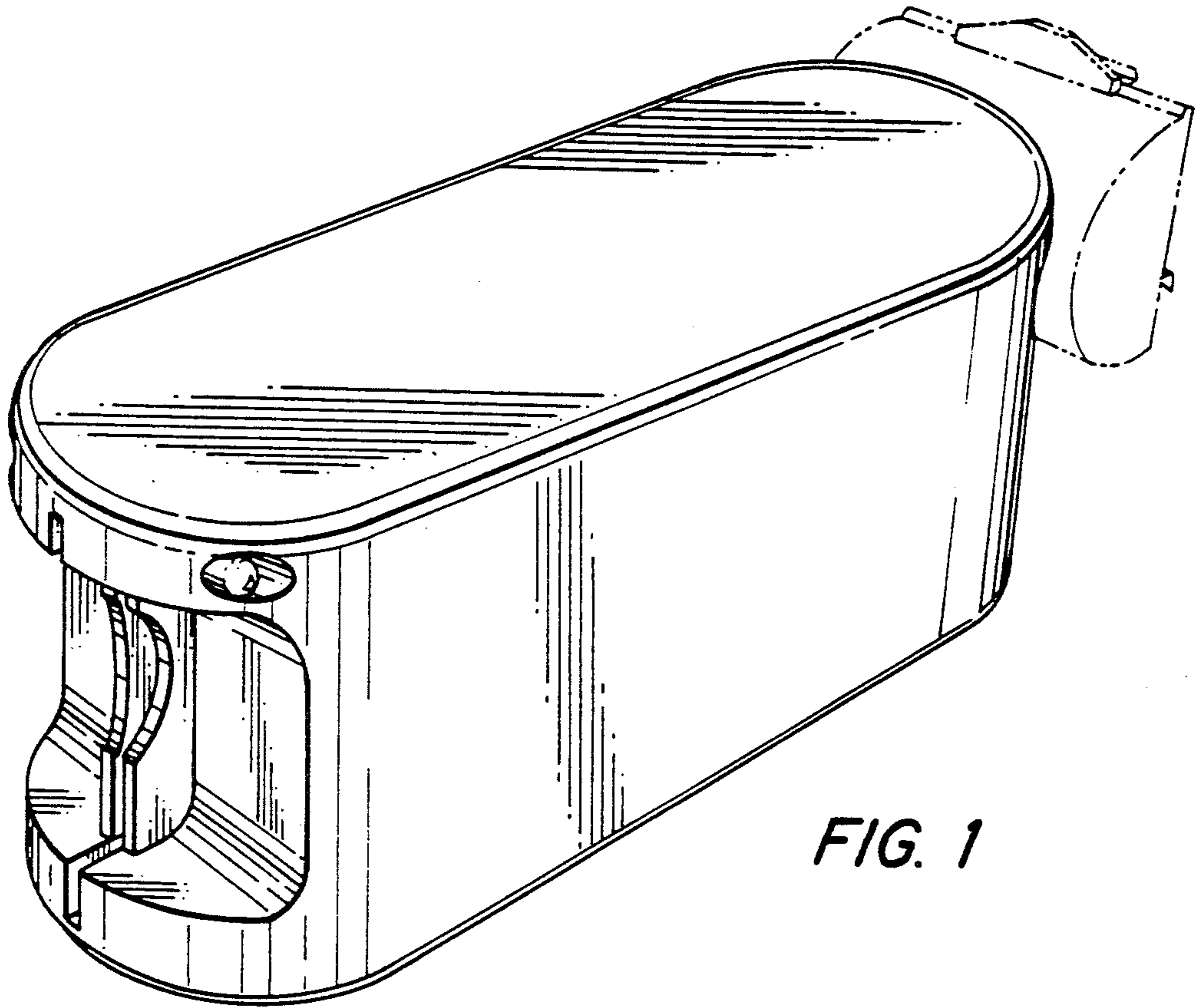


FIG. 1

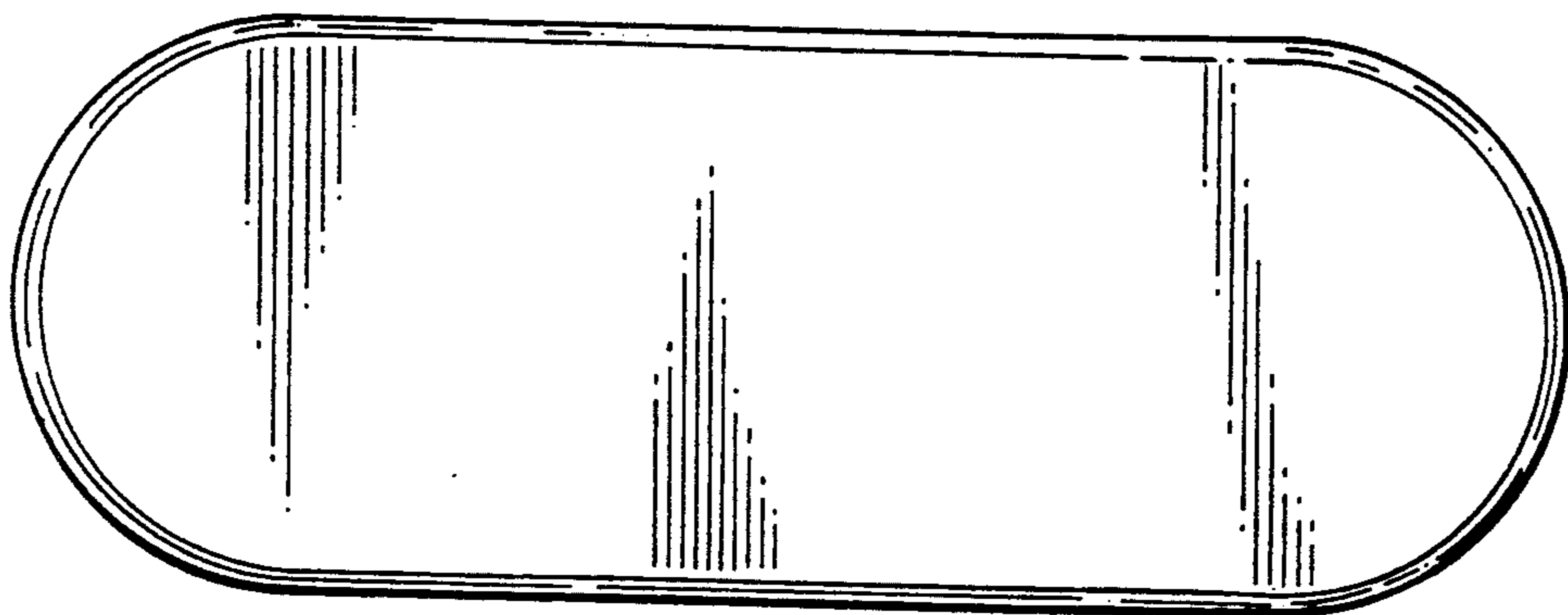


FIG. 2

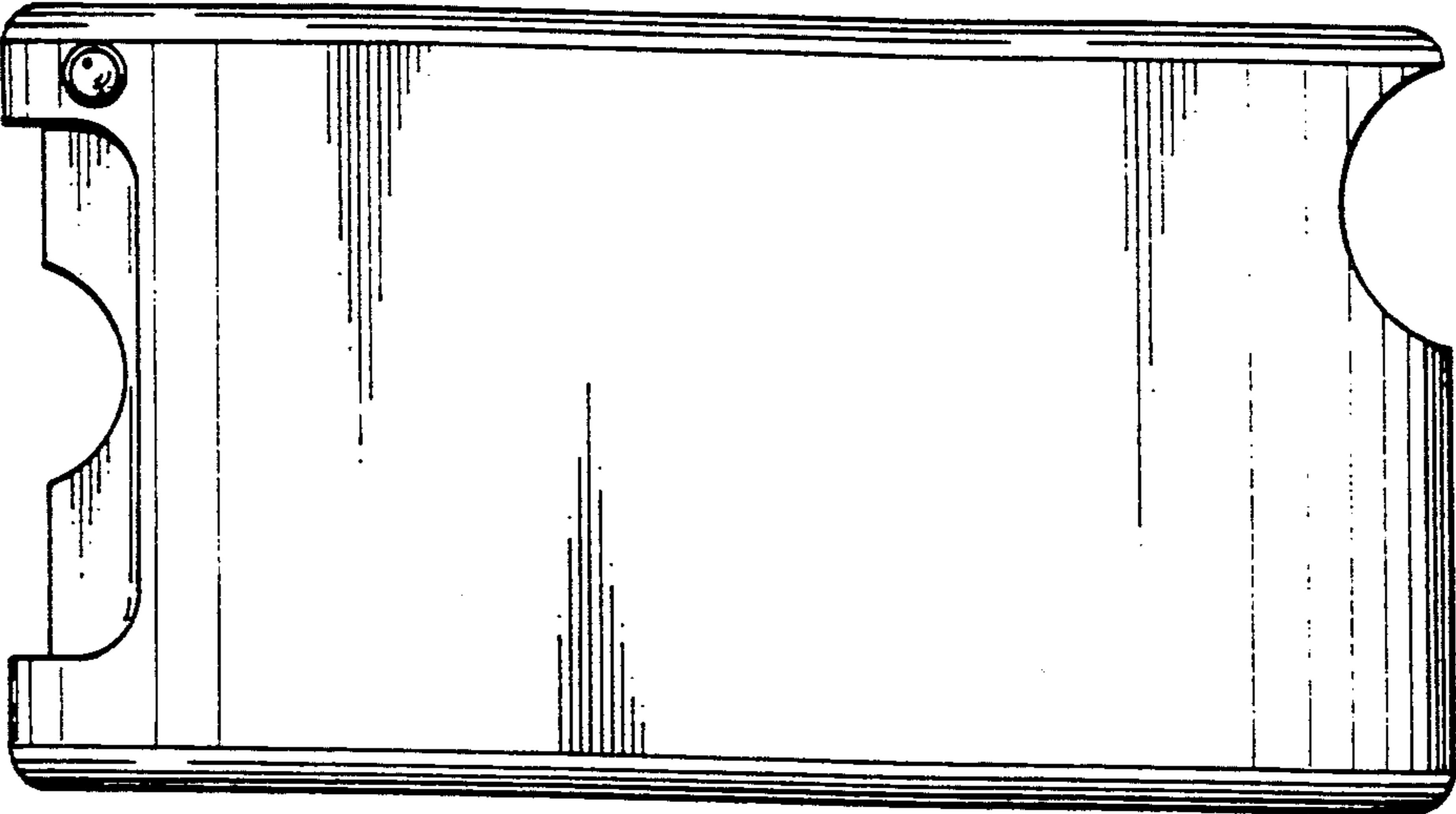


FIG. 4

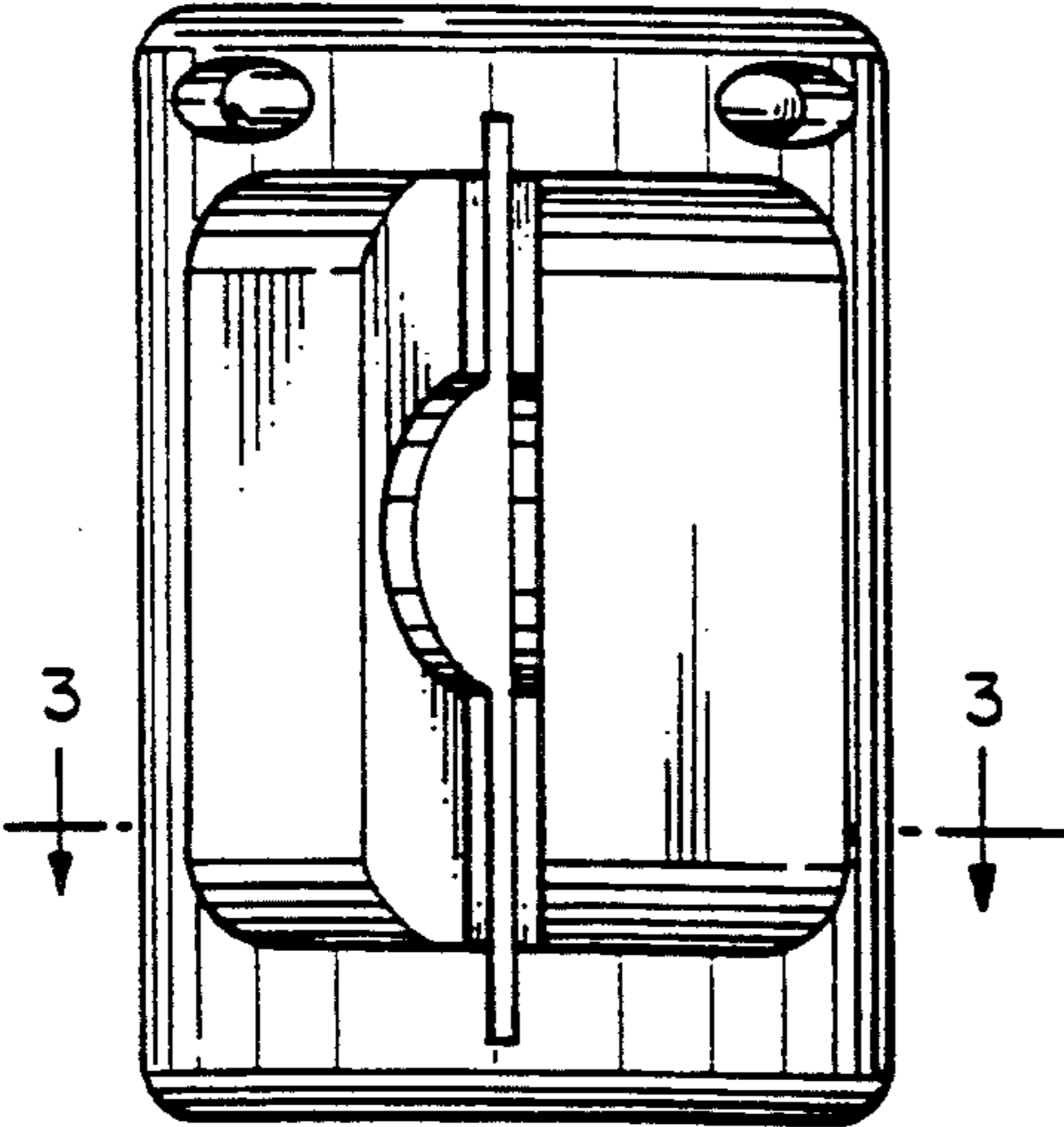


FIG. 5

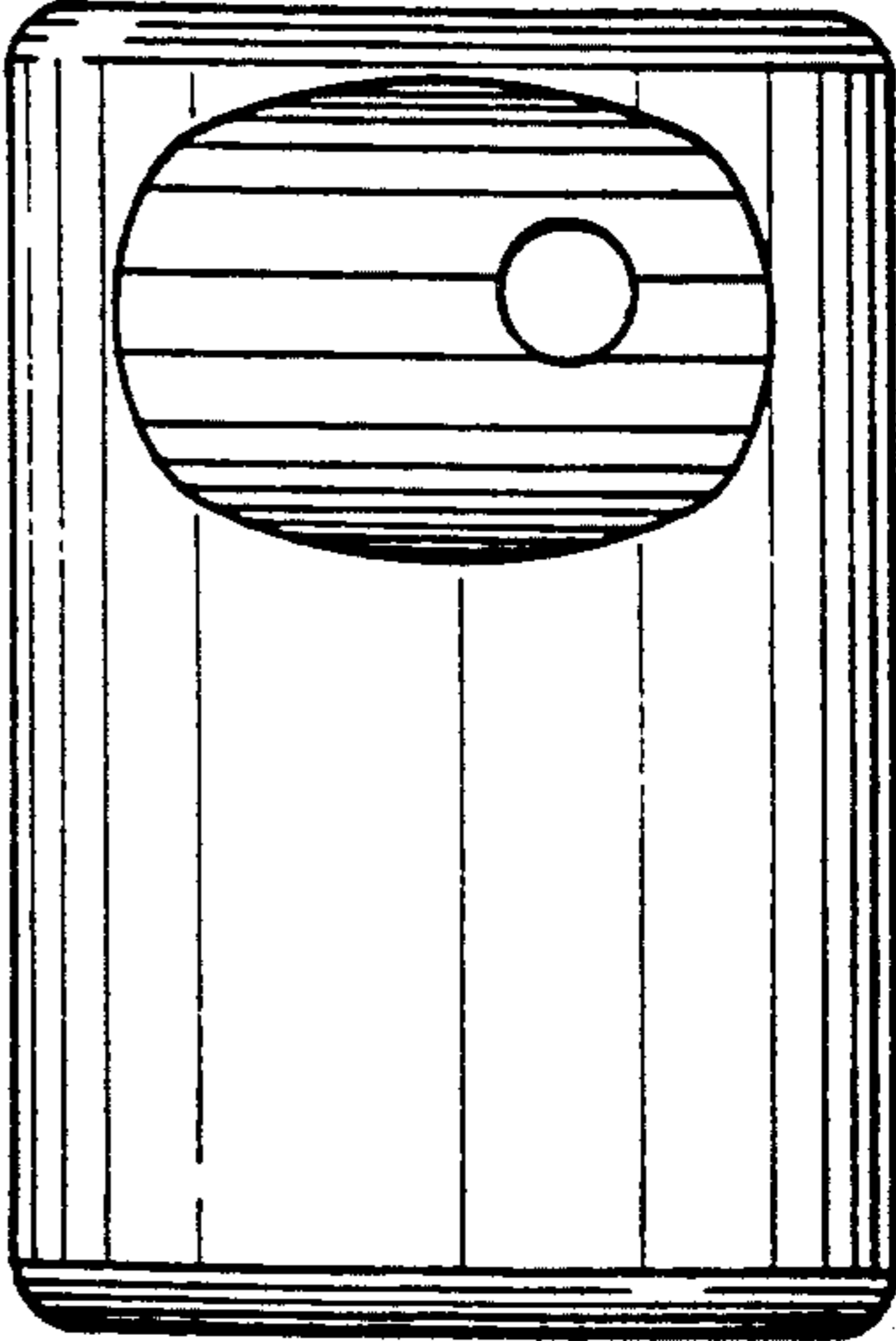


FIG. 6

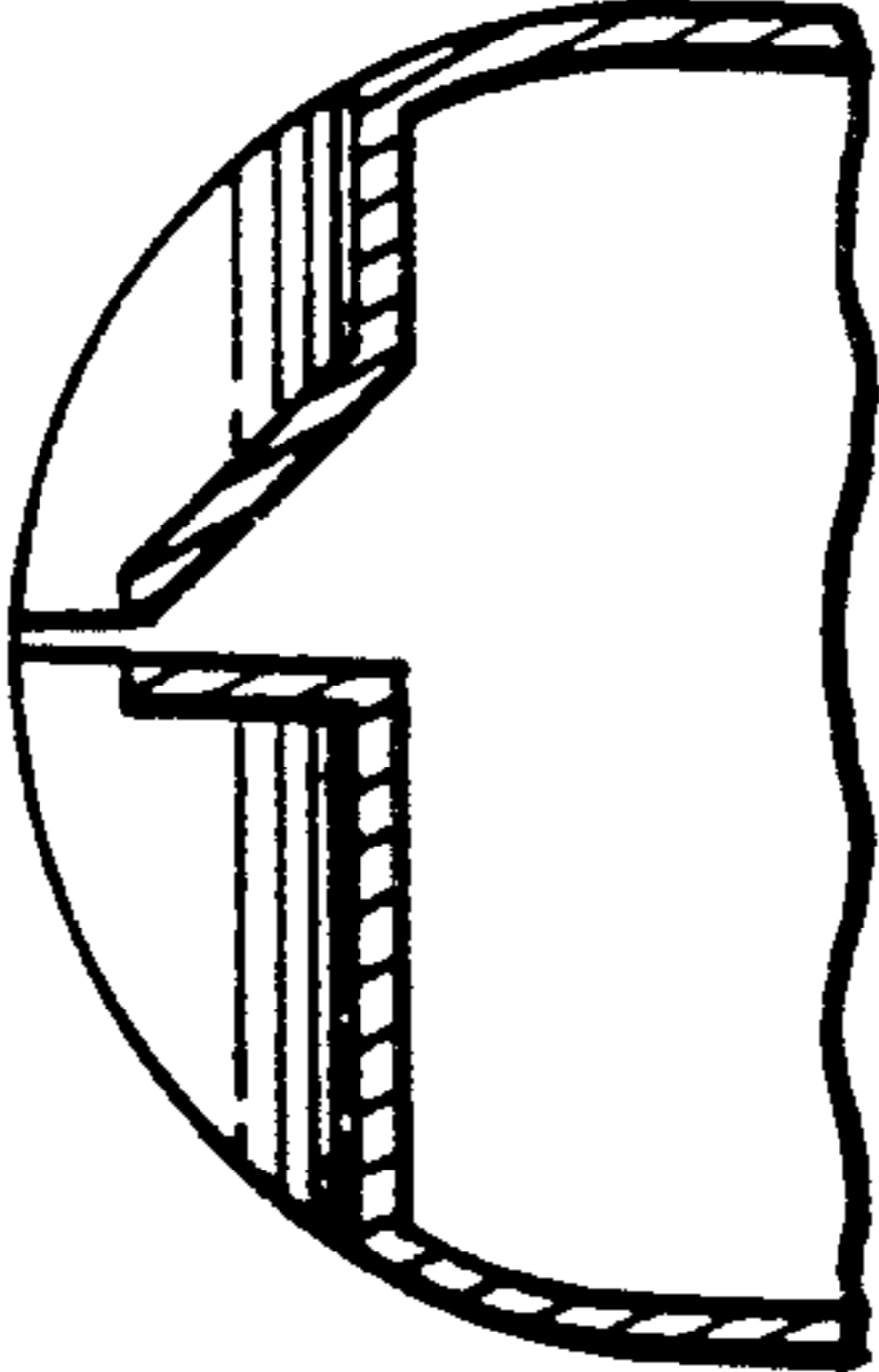


FIG. 3