



US00D328537S

# United States Patent [19] Edwards

[11] Patent Number: Des. 328,537

[45] Date of Patent: \*\* Aug. 11, 1992

[54] CLIP FOR DISPLAYING A WATCH

4,082,183 4/1978 Sturm ..... 206/566 X  
4,216,858 8/1980 Beauchamp ..... 206/301 X  
4,646,920 3/1987 Kruger ..... 211/13

[75] Inventor: Malcolm Edwards, Highland Village, Tex.

[73] Assignee: Chippenhook, Ltd., Lewisville, Tex.

[\*\*] Term: 14 Years

[21] Appl. No.: 432,183

[22] Filed: Nov. 6, 1989

[52] U.S. Cl. .... D6/466; D9/455

[58] Field of Search ..... D6/396, 449, 462, 466,  
D6/467, 468; D19/91, 86; D10/128; 211/13;  
206/566, 495, 45.2, 45.19; D9/341, 455

[56] References Cited

### U.S. PATENT DOCUMENTS

D. 194,052	11/1962	Goda	.....	D10/128
D. 209,357	11/1967	Semler	.....	D6/466
D. 209,359	11/1967	Schuler	.....	D6/466
D. 245,899	9/1977	Kenig	.....	D10/128
D. 248,825	8/1978	Redmer	.....	D19/91 X
886,608	5/1908	Jersemann	.....	206/566 X
3,208,713	9/1965	Eichhorn et al.	.....	D6/466 X
3,724,799	4/1973	Dotson	.....	211/13 X

Primary Examiner—Donald P. Walsh  
Assistant Examiner—Jeffrey Asch  
Attorney, Agent, or Firm—Johnson & Gibbs

### [57] CLAIM

The ornamental design for a clip for displaying a watch, as shown and described.

### DESCRIPTION

FIG. 1 is a perspective view of a clip for displaying a watch showing my new design, a watch collar and watch are shown in broken lines for illustrative purposes only;

FIG. 2 is a left side elevational view, the right side being a mirror image thereof;

FIG. 3 is a front elevational view;

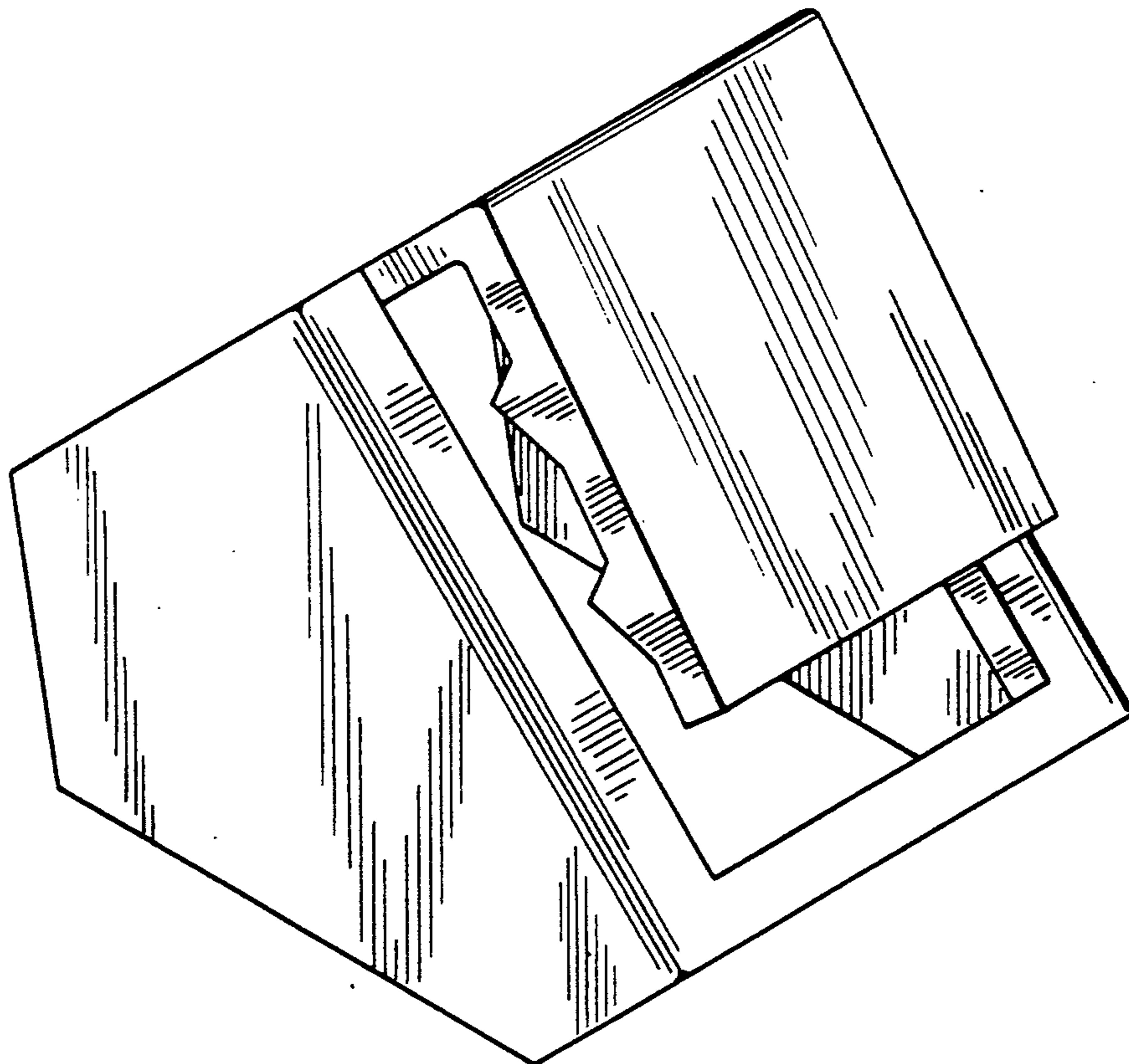
FIG. 4 is a rear elevational view;

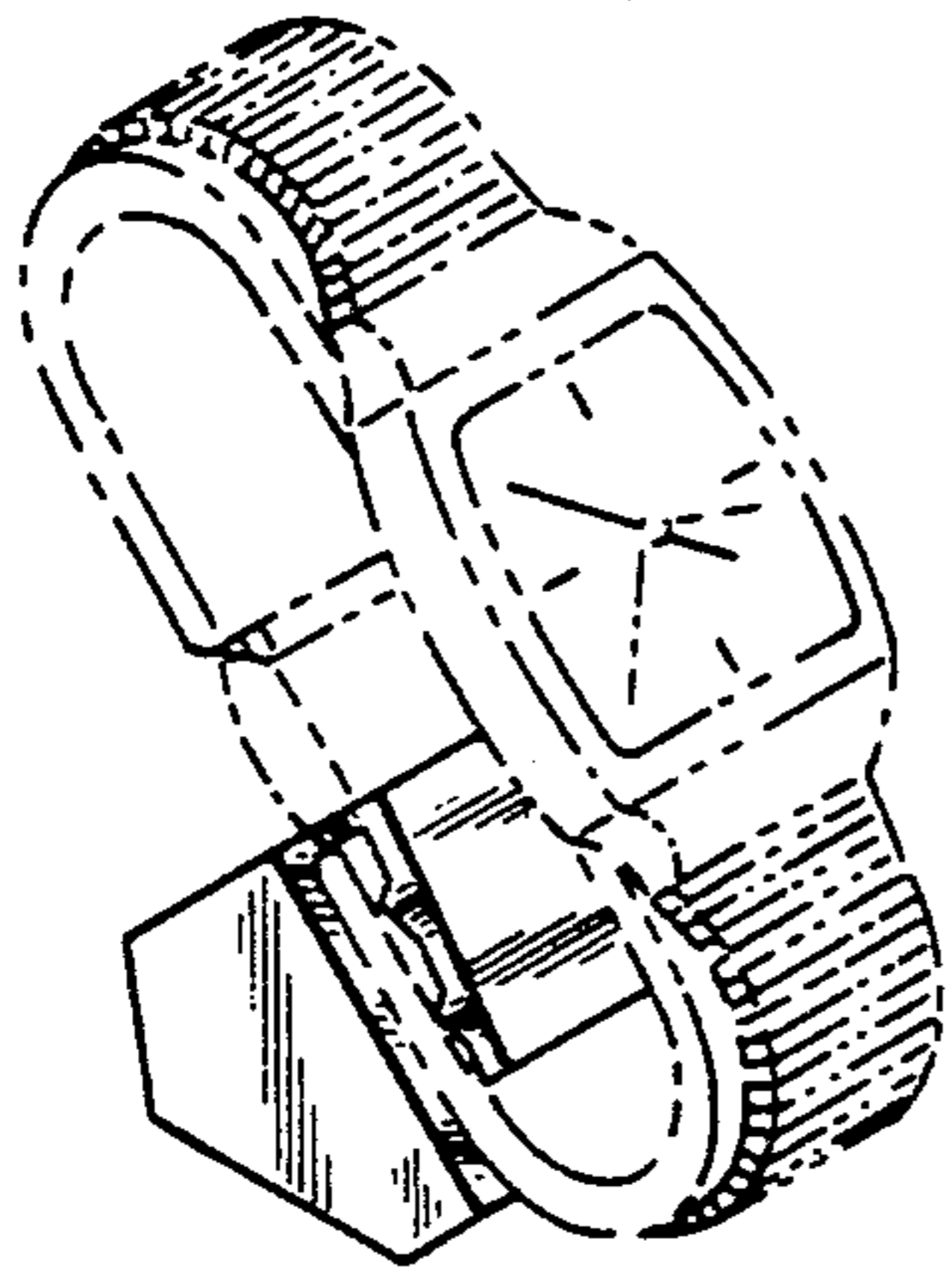
FIG. 5 is a top plan view;

FIG. 6 is a bottom plan view thereof; and,

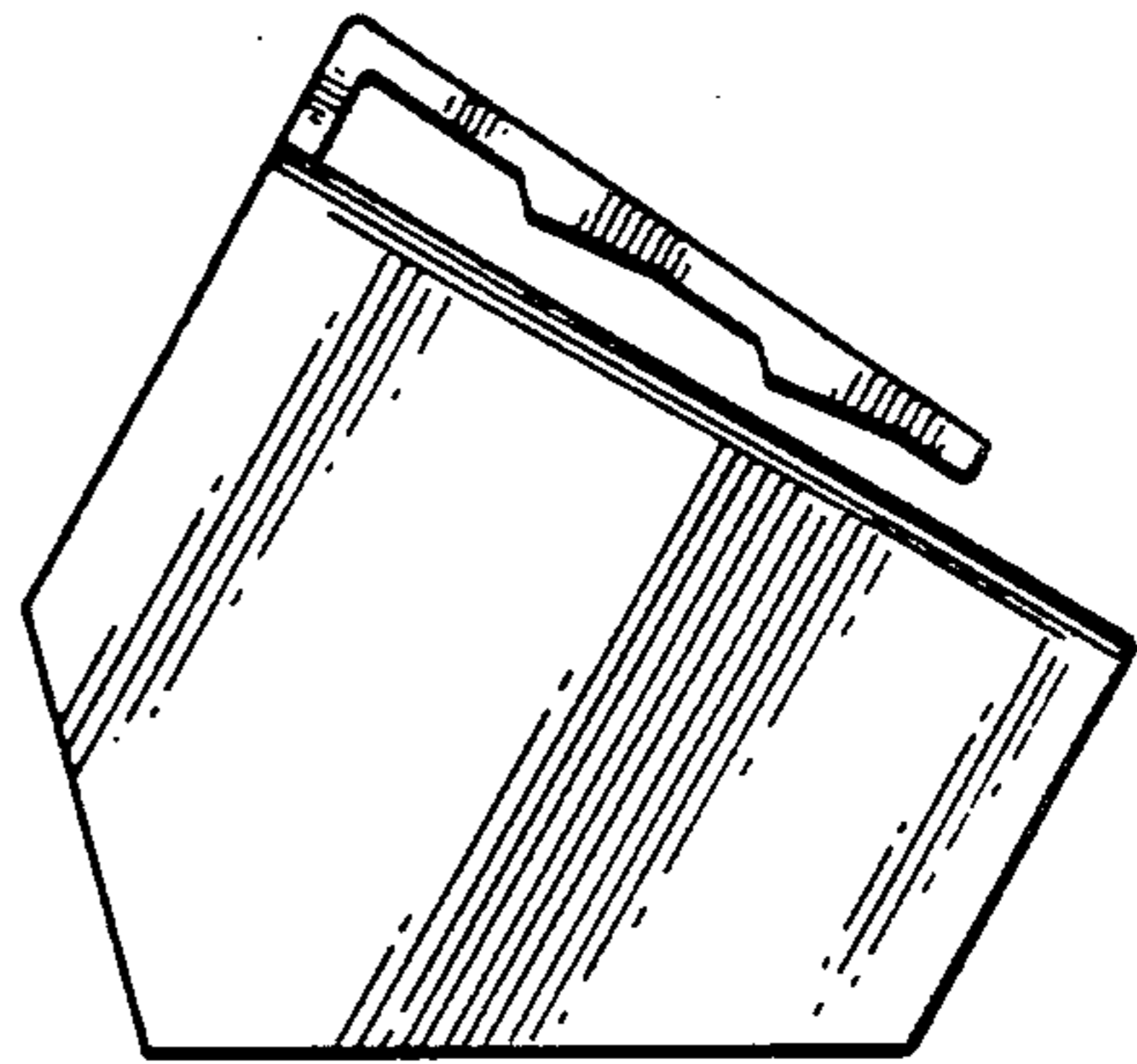
FIG. 7 is a perspective view thereof.

FIGS. 2 through 7 have been shown on an enlarged scale with respect to FIG. 1.

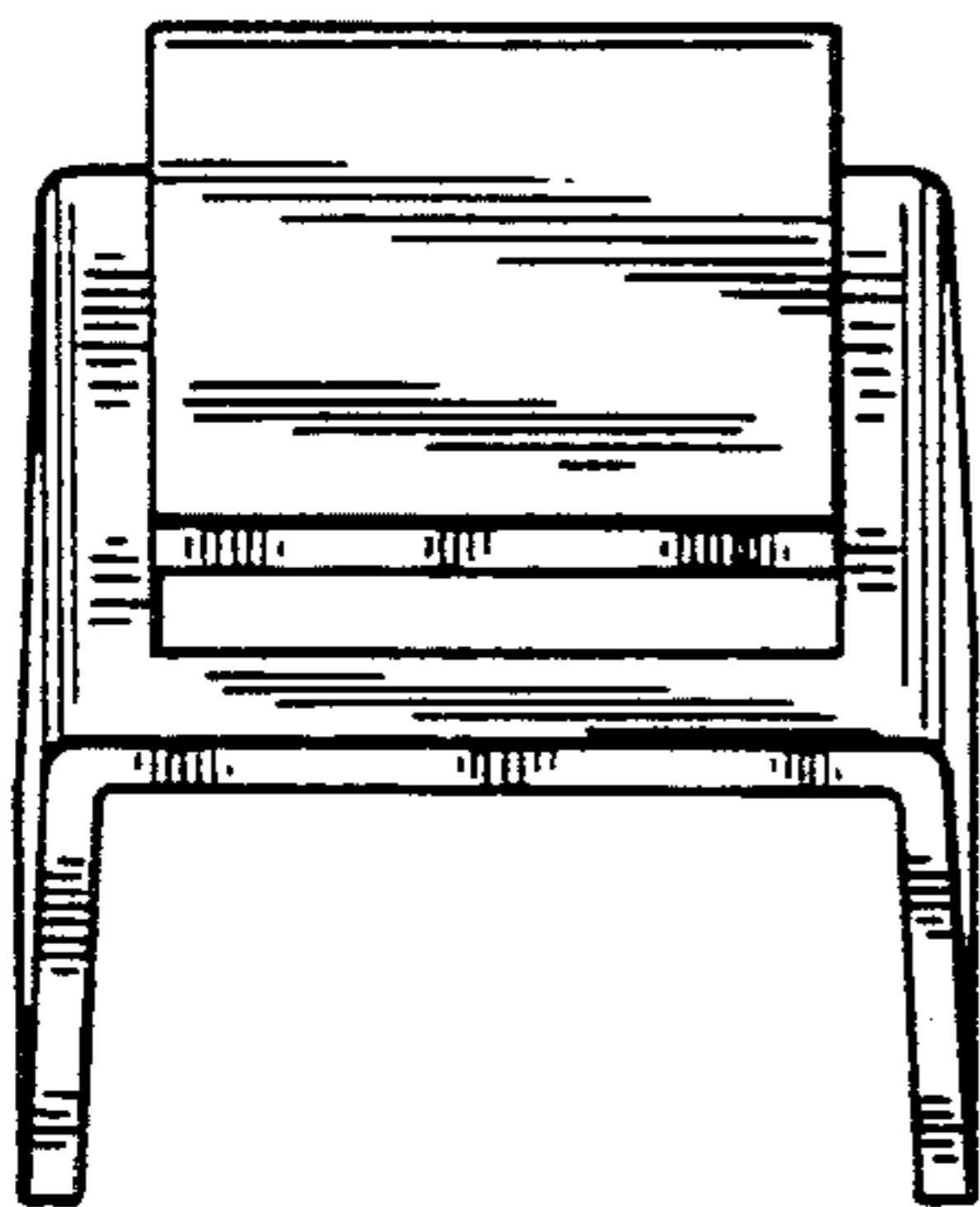




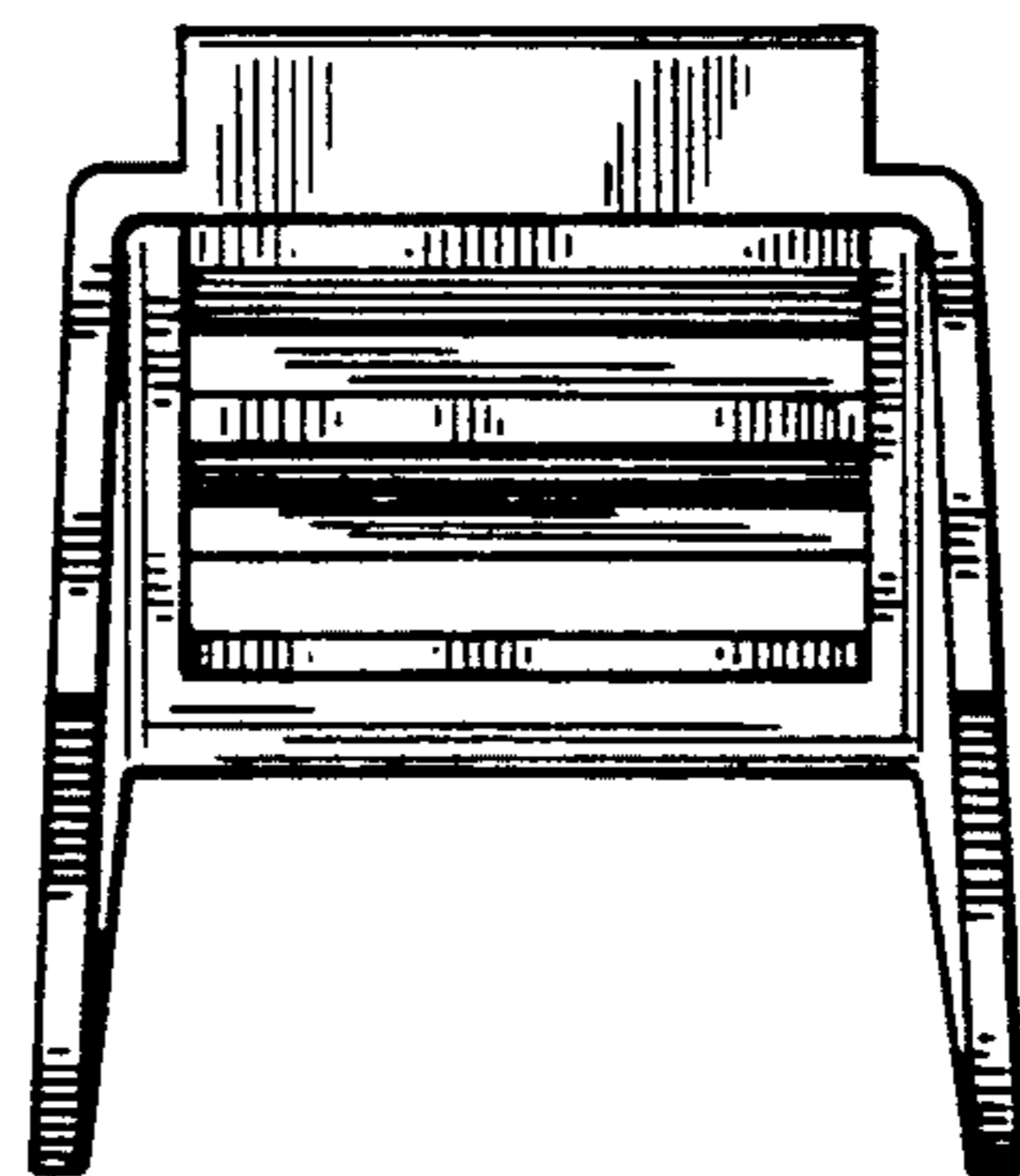
**FIG. 1**



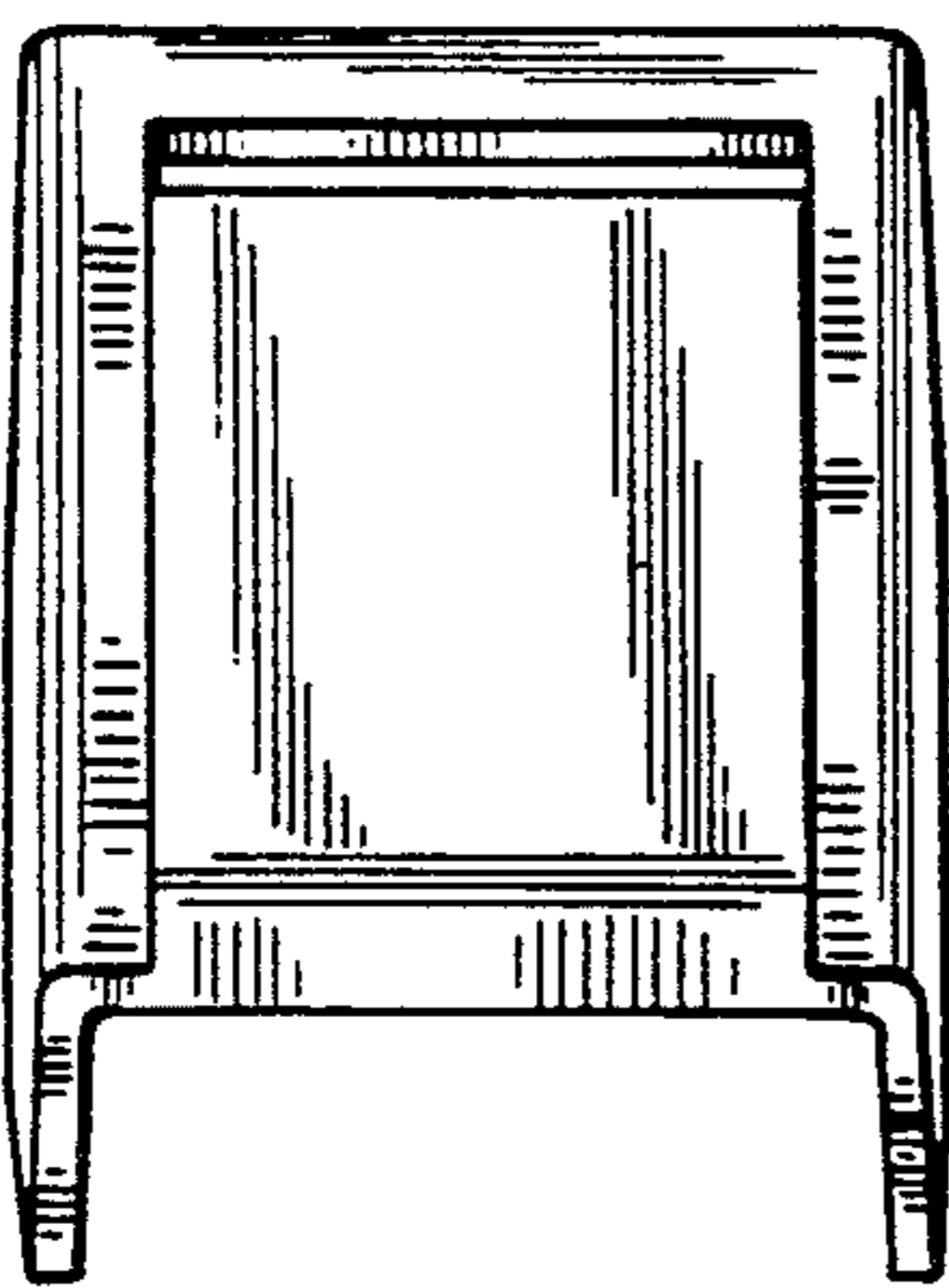
**FIG. 2**



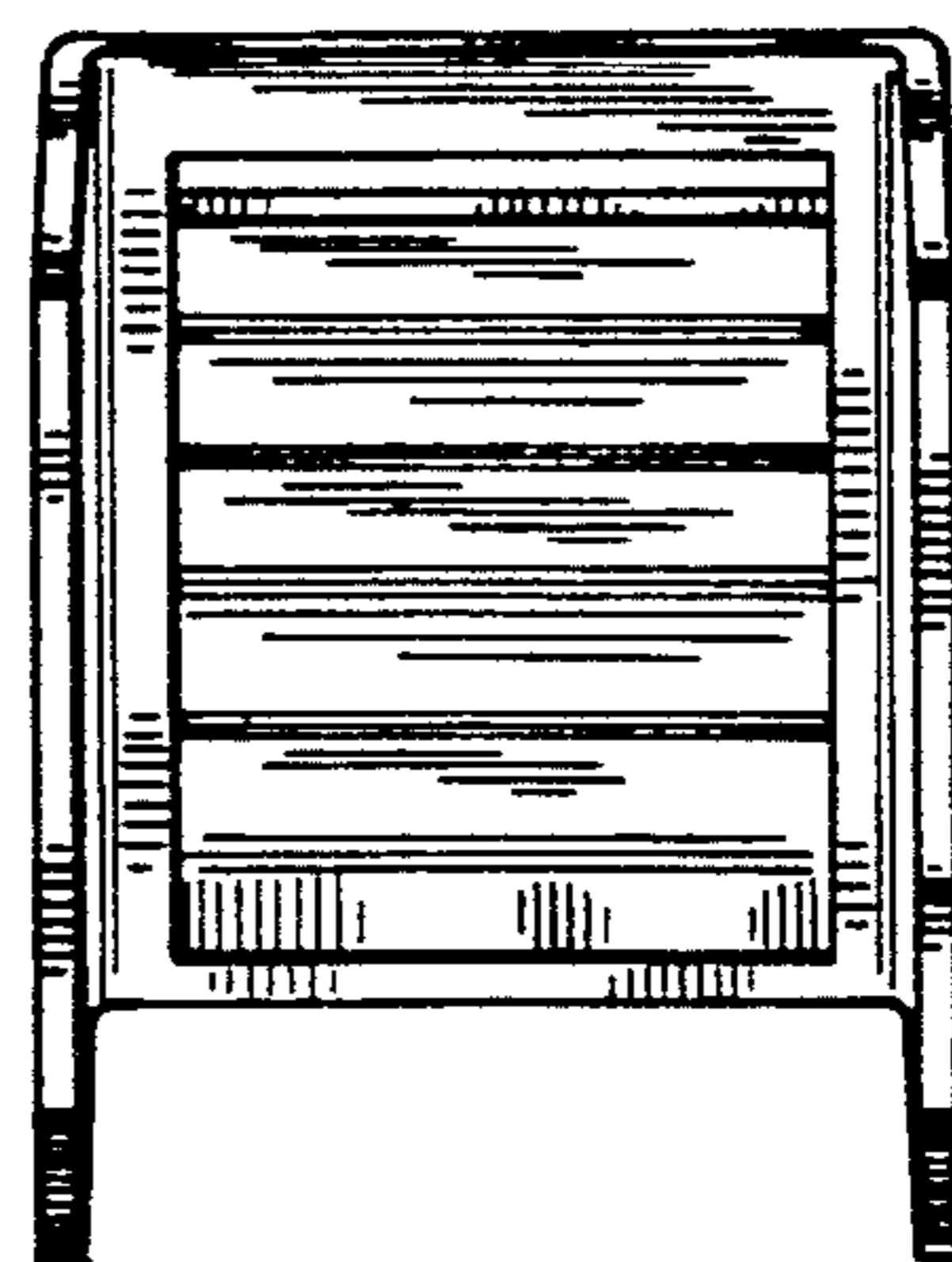
**FIG. 3**



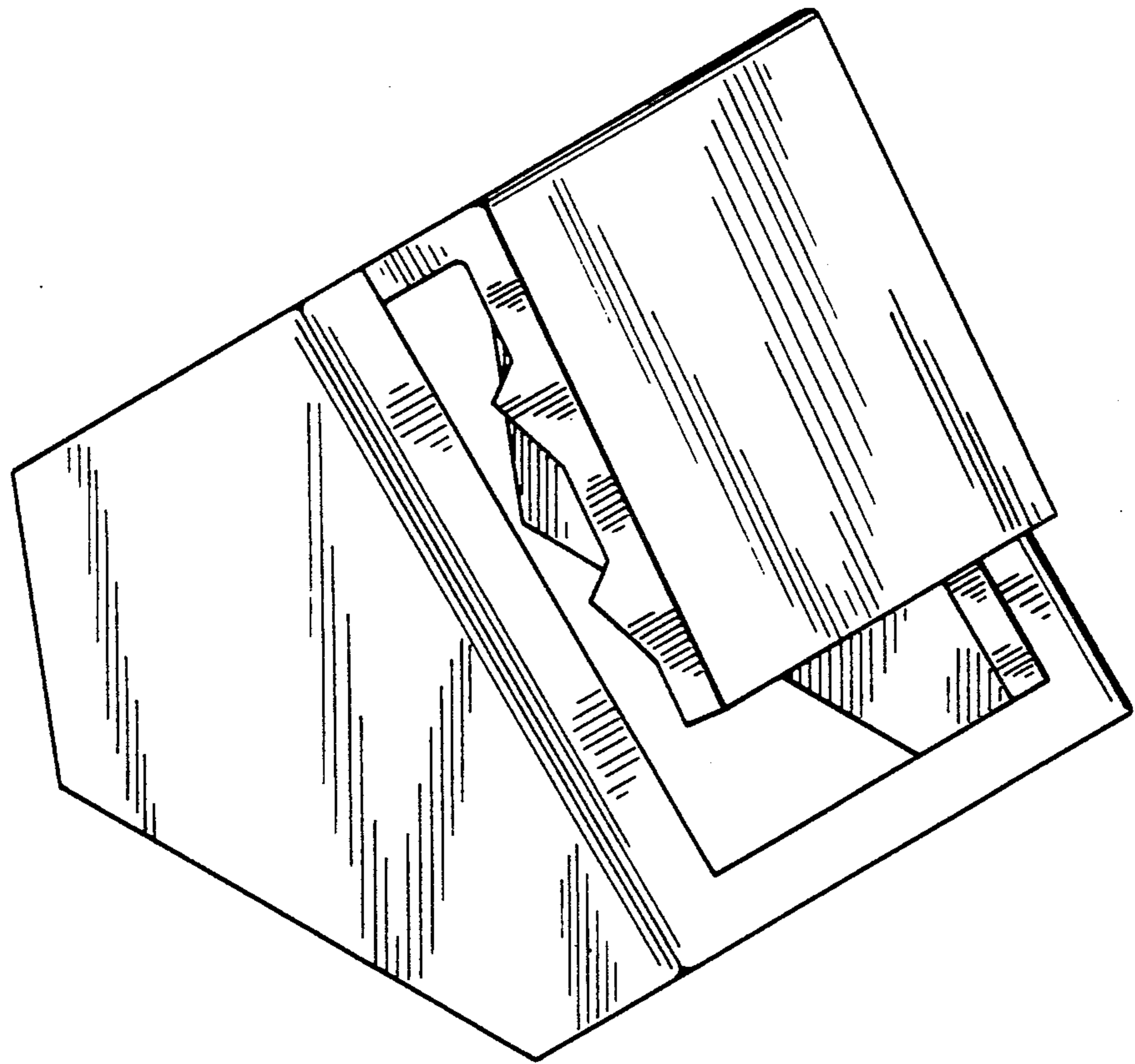
**FIG. 4**



**FIG. 5**



**FIG. 6**



**FIG. 7**