



US00D328533S

United States Patent [19]

[11] Patent Number: **Des. 328,533**

Mueller

[45] Date of Patent: **** Aug. 11, 1992**

[54] COLLAPSIBLE PORTABLE MASSAGE TABLE

[76] Inventor: **Emil W. Mueller, HCR 7, Box 160, Houston, Mo. 65483**

[**] Term: **14 Years**

[21] Appl. No.: **382,340**

[22] Filed: **Jul. 20, 1989**

[52] U.S. Cl. **D6/429; D6/392**

[58] Field of Search **D6/382-384, D6/392, 429; D24/183, 188; 108/119, 118, 115, 134**

D. 275,913	10/1984	Mulligan	D6/429 X
D. 295,349	4/1988	Mueller	D6/429
1,566,503	12/1925	Overman et al.	D24/183 X
3,110,476	11/1963	Farris	108/119 X
4,182,511	1/1980	Camp, Jr.	108/118 X

Primary Examiner—Donald P. Walsh
Assistant Examiner—Janice E. Seeger
Attorney, Agent, or Firm—Henri J. A. Charmasson

[57] **CLAIM**

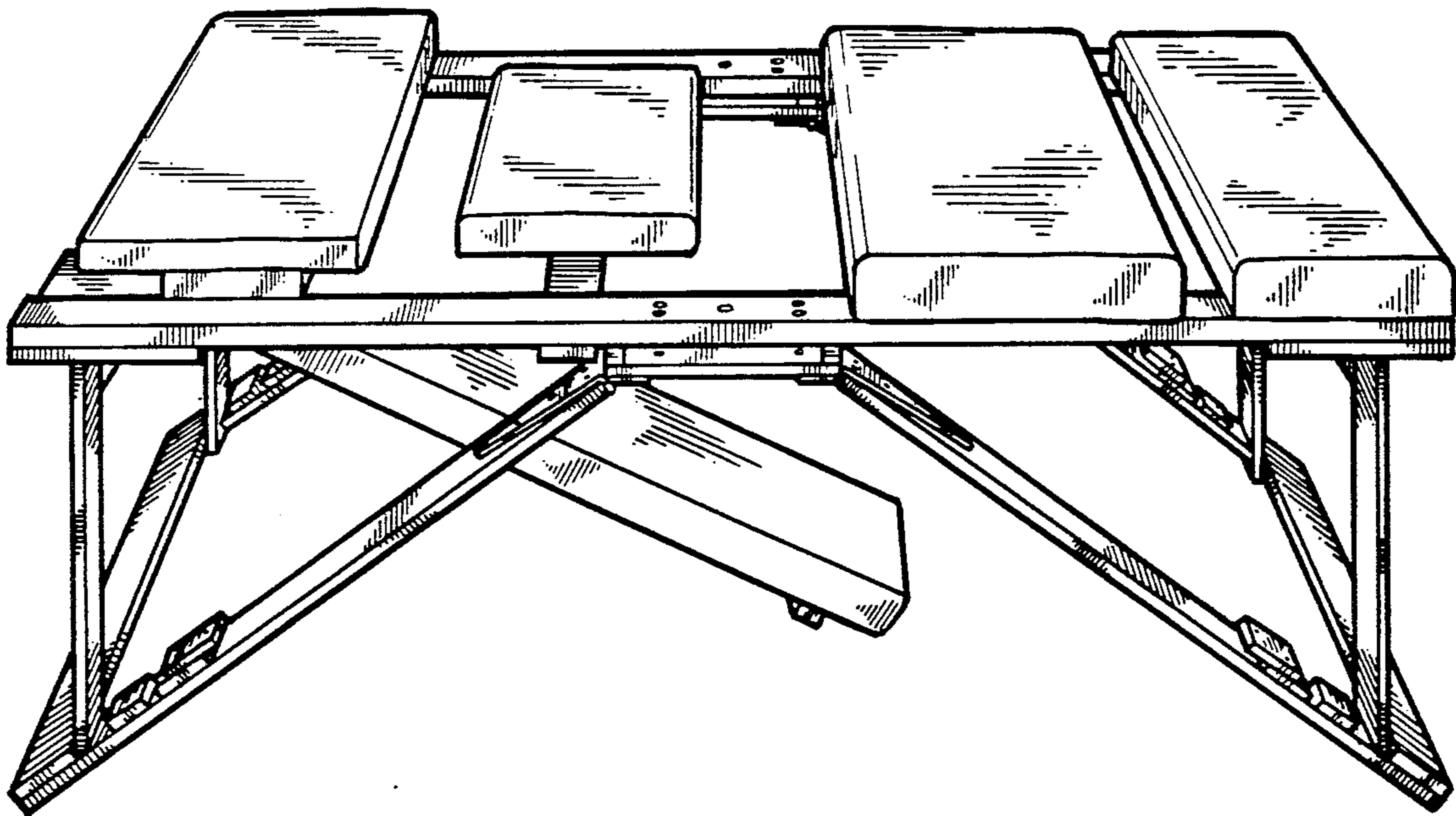
The ornamental design for a collapsible portable massage table, as shown and described.

DESCRIPTION

FIG. 1 is a front perspective view of a collapsible portable massage table, showing my new design;
FIG. 2 is a rear perspective view thereof, taken from a low angle;
FIG. 3 is a side elevational view, the opposite side being a mirror image thereof; and,
FIG. 4 is an end elevational taken from the left in FIG. 1.

[56] **References Cited**
U.S. PATENT DOCUMENTS

D. 177,795	5/1956	Cole	D6/429 X
D. 185,658	7/1959	Brandimarte	D24/188 X
D. 196,371	9/1963	Lieberman	D6/429
D. 247,275	2/1978	Colombo	D6/429 X
D. 258,986	4/1981	Byrum	D6/382 X



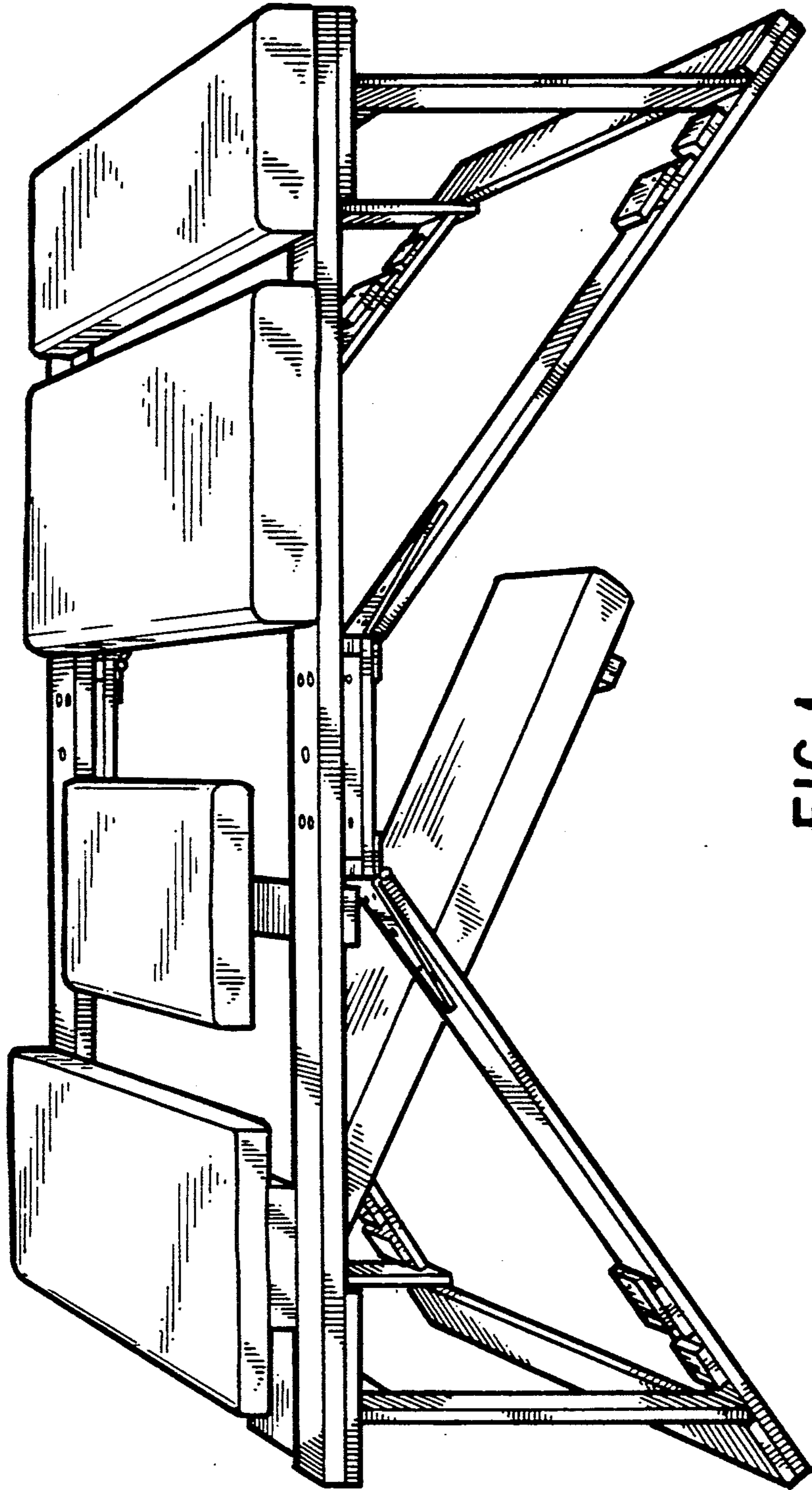


FIG. 1

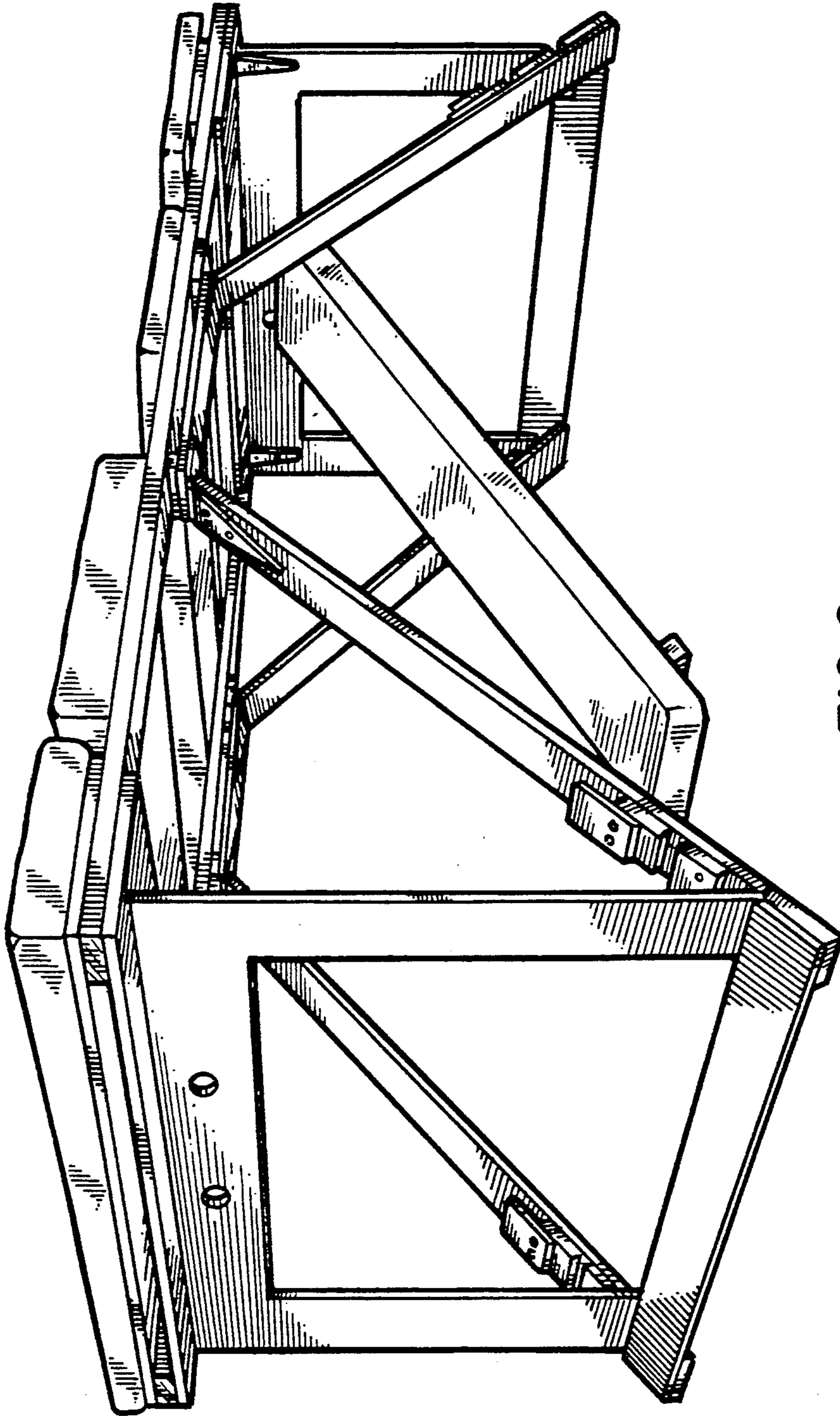


FIG. 2

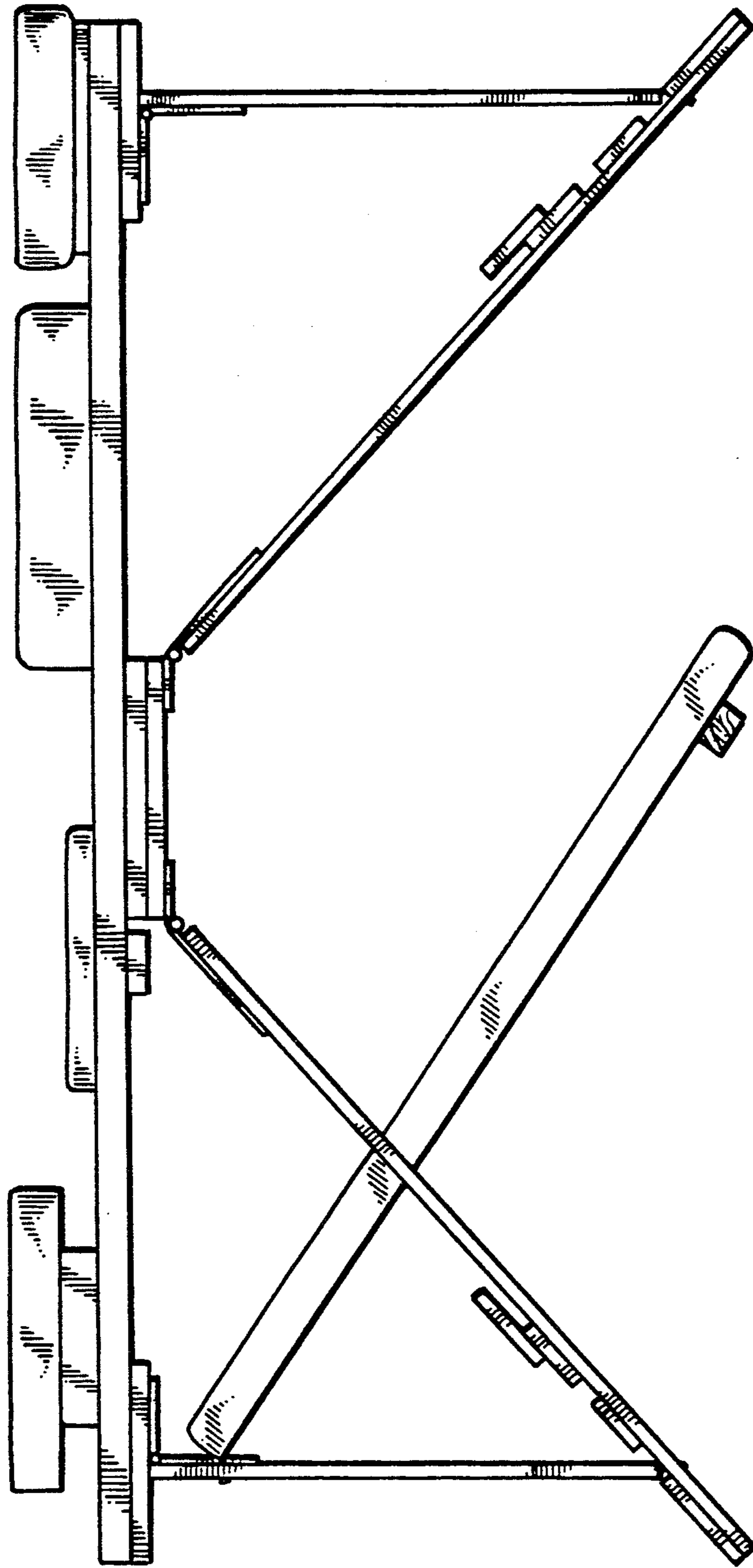


FIG. 3

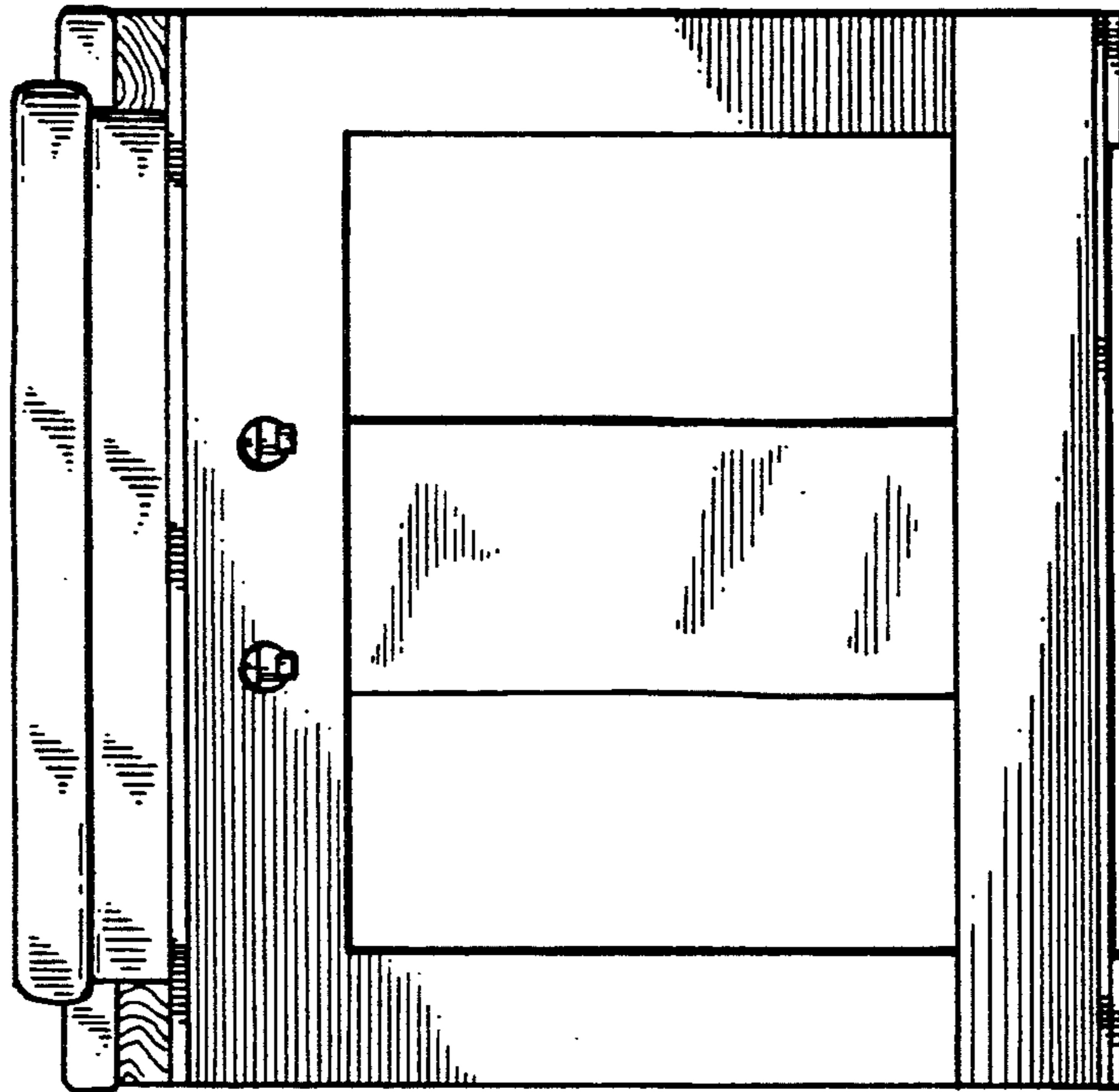


FIG. 4