



US00D328526S

United States Patent [19]

Bianchi, Jr. et al.

[11] Patent Number: **Des. 328,526**

[45] Date of Patent: **** Aug. 11, 1992**

[54] **COMBINED LOTTO TICKET HOLDER AND CHECKER**

[76] Inventors: **Raymond J. Bianchi, Jr.**, 11250 E. Woodbridge Rd., Acampo, Calif. 95220; **Gary W. Anderson**, 1321 N. Monroe St., Stockton, Calif. 95203; **Steven J. Giannecchini**, 6340 Clarksberg Pl., Stockton, Calif. 95207; **James R. Holland**, 1326 W. Turner Rd., Lodi, Calif. 95242

[**] Term: **14 Years**

[21] Appl. No.: **460,219**

[22] Filed: **Jan. 2, 1990**

[52] U.S. Cl. **D3/56; D21/37**

[58] Field of Search **D9/339; D3/56, 58, 60; D21/37; 150/131, 145, 147; 14/236.01; 206/39.3**

[56] **References Cited**

U.S. PATENT DOCUMENTS

- D. 209,035 10/1967 Robert D3/56
- D. 299,288 1/1989 Stafford D3/56
- D. 309,162 7/1990 Swalwell D21/37

- D. 314,865 2/1991 Tuisku D3/56
- 1,099,214 6/1914 Sterling 206/39.3
- 1,213,816 1/1917 Ballentine 206/393
- 4,654,923 4/1987 Faciane et al. 15/236.01
- 4,793,061 12/1988 Rizzo, Jr. 15/236.01

FOREIGN PATENT DOCUMENTS

- 0251900 1/1988 European Pat. Off. 150/147

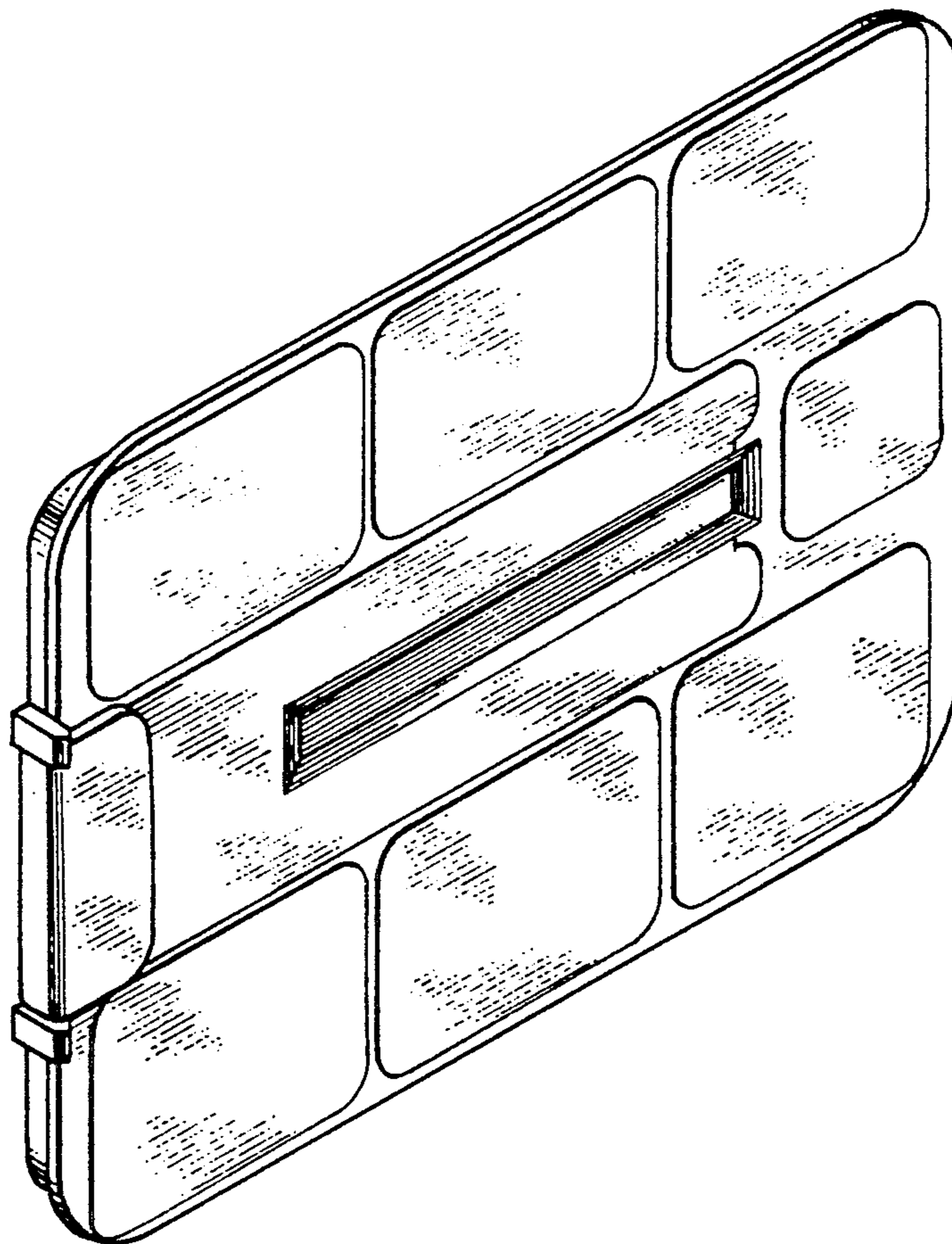
Primary Examiner—Bernard Ansher
Assistant Examiner—Sandra Morris
Attorney, Agent, or Firm—Lothrop & West

[57] **CLAIM**

The ornamental design for a combined lotto ticket holder and checker, as shown and described.

DESCRIPTION

FIG. 1 is a front perspective of a combined lotto ticket holder and checker, showing our new design; FIG. 2 is a front elevational view thereof; FIG. 3 is a left end elevational view thereof; FIG. 4 is a right end elevational view thereof; FIG. 5 is a rear elevational view thereof; FIG. 6 is a top plan view thereof; FIG. 7 is a bottom plan view thereof; and, FIG. 8 is an enlarged sectional view thereof taken on the line 8—8 of FIG. 2.



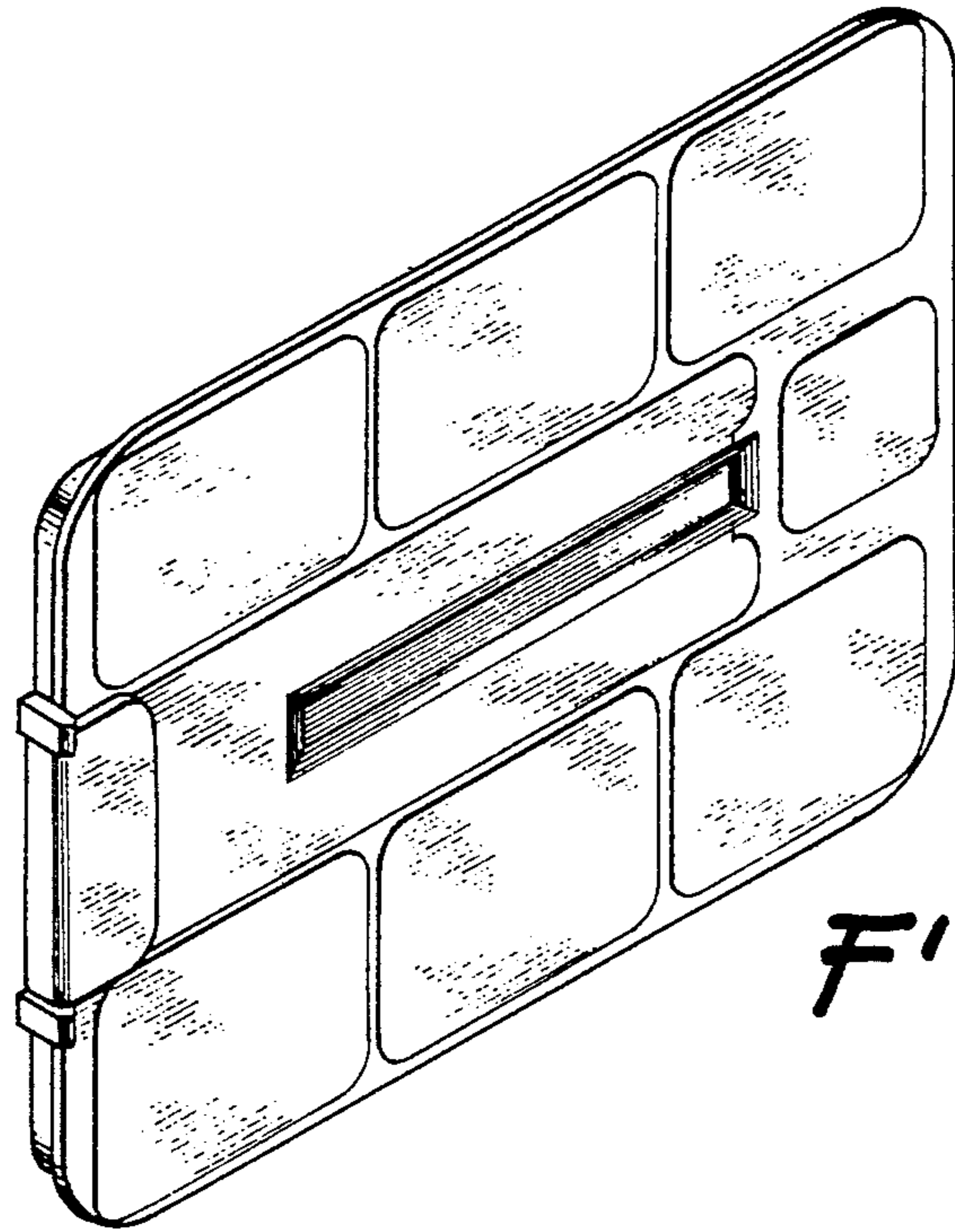


FIG-1



FIG-3

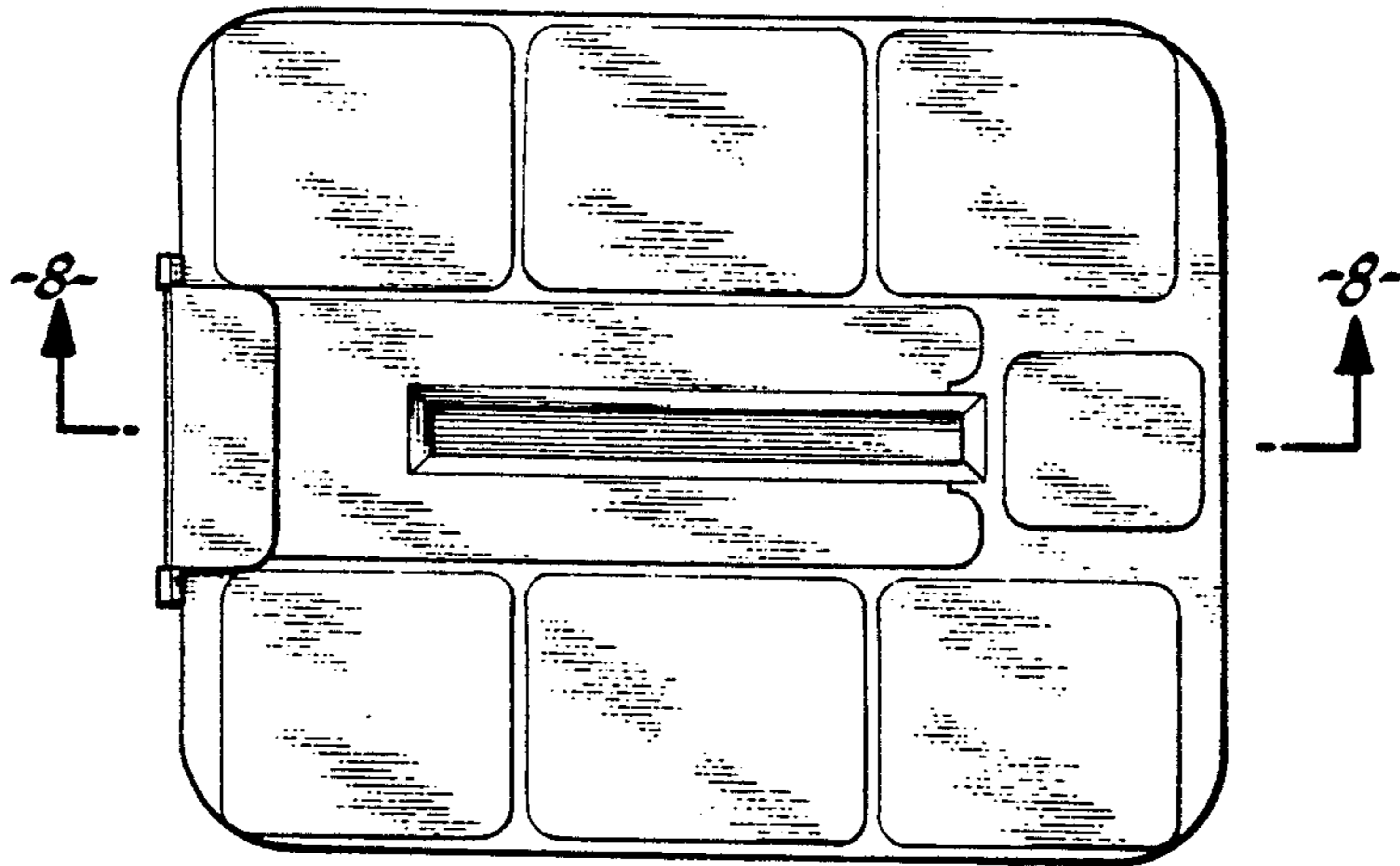


FIG-2



FIG-4

FIG-6

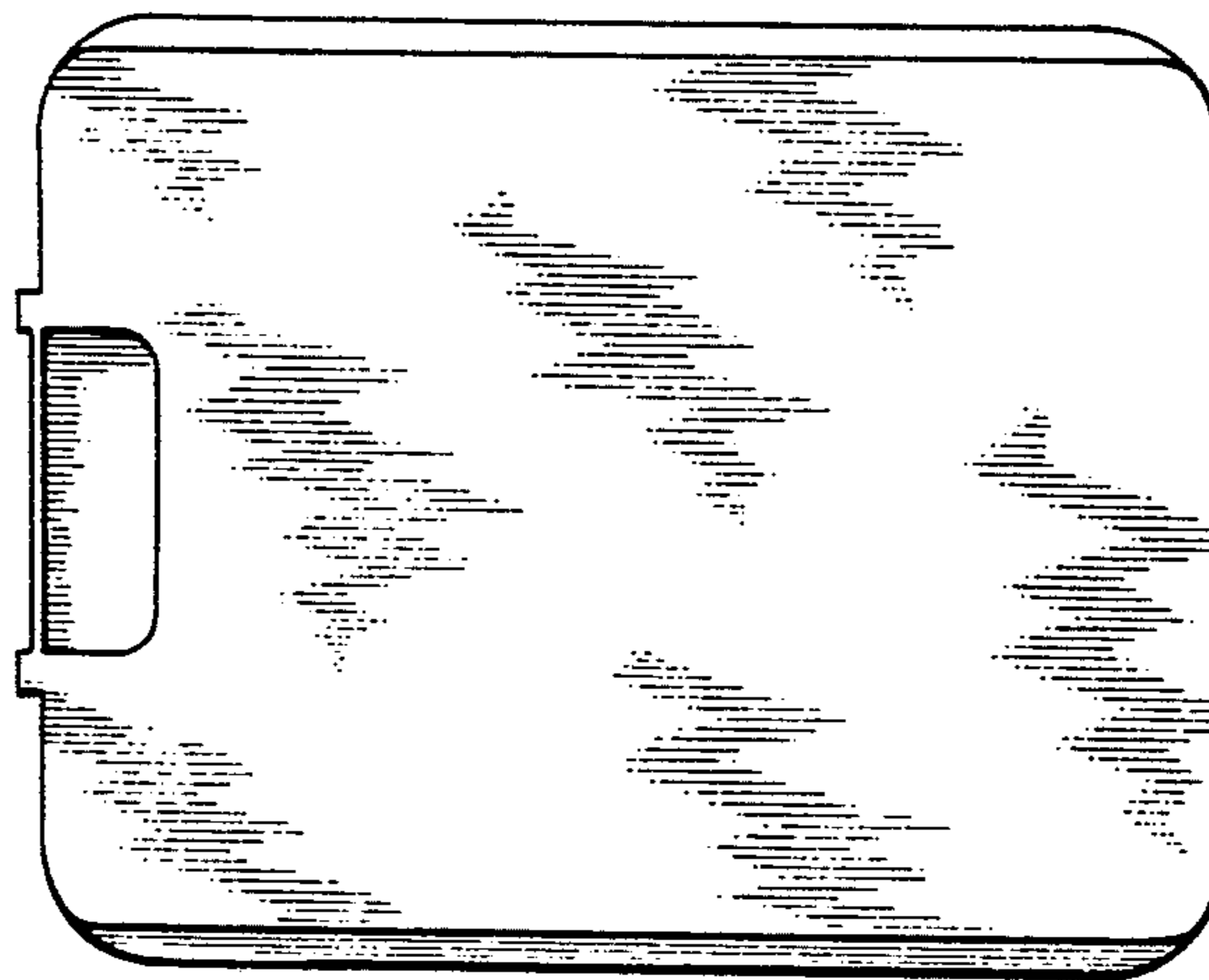
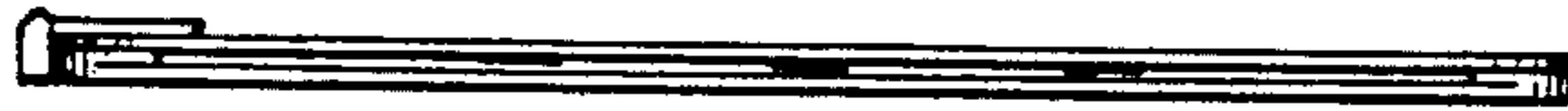


FIG-5

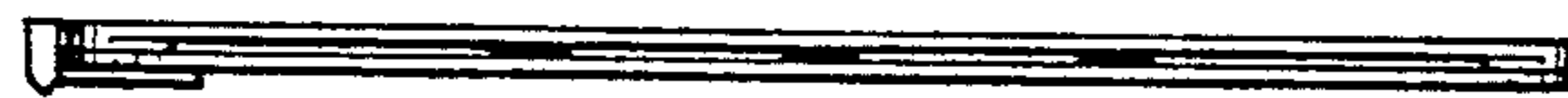


FIG-7



FIG-8