



US00D328513S

United States Patent [19]
McKinney

[11] **Patent Number: Des. 328,513**

[45] **Date of Patent: ** Aug. 4, 1992**

[54] **MAIL BOX WITH SAFETY COMPARTMENT**

[76] **Inventor: Johnnie S. McKinney, 509 England Ave., Fuquay-Varina, N.C. 27526**

[**] **Term: 14 Years**

[21] **Appl. No.: 369,749**

[22] **Filed: Jun. 22, 1989**

[52] **U.S. Cl. D99/31**

[58] **Field of Search D99/31; 232/16-27, 232/1-5**

[56] **References Cited**

U.S. PATENT DOCUMENTS

- D. 263,514 3/1982 Paparella D99/31
- D. 306,228 2/1990 Hoffman et al. D99/31

D. 313,106 12/1990 Hoffman et al. D99/31

Primary Examiner—Donald P. Walsh
Assistant Examiner—J. H. Musgrove

[57] **CLAIM**

The ornamental design for mail box with safety compartment, as shown.

DESCRIPTION

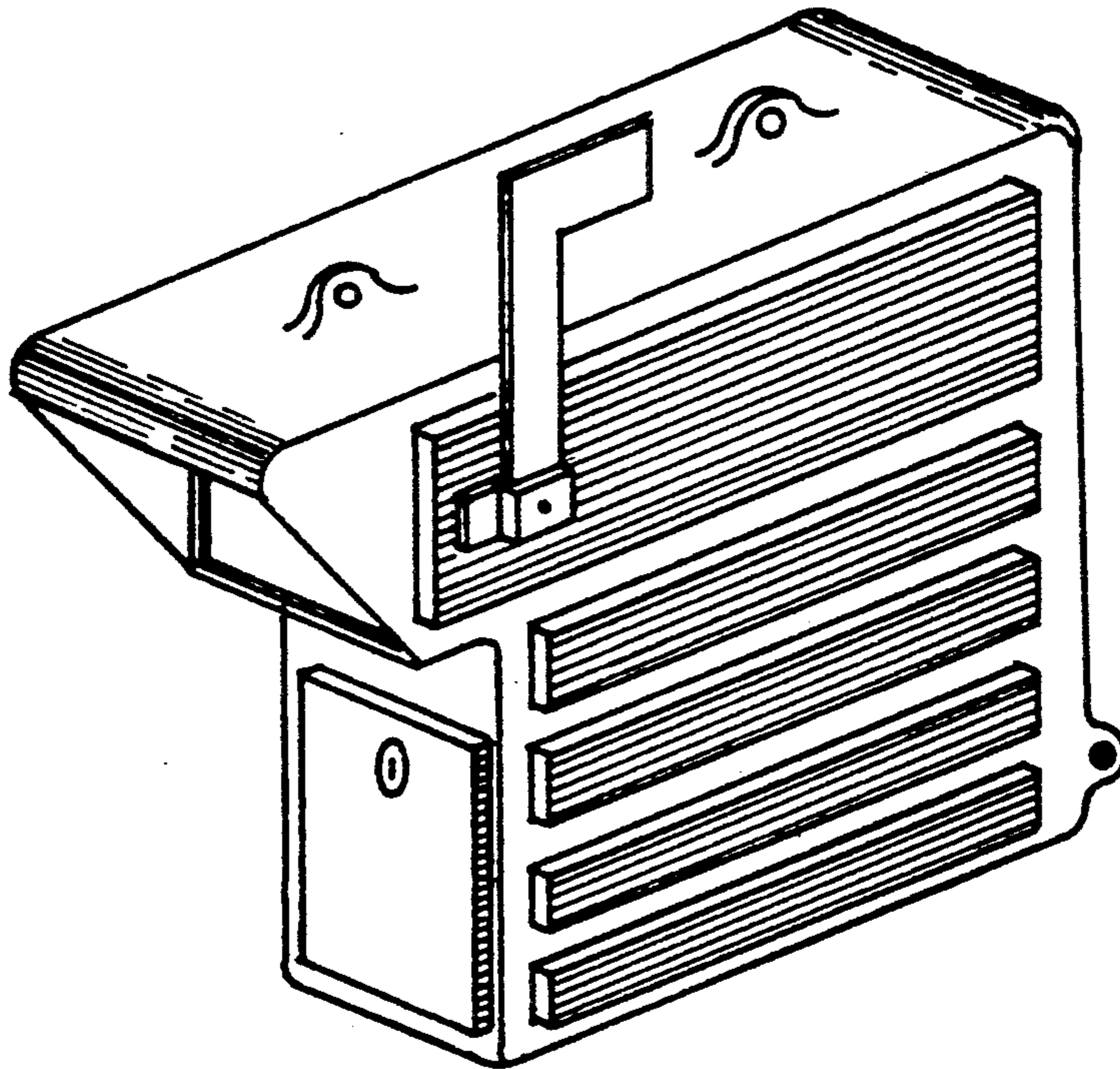
FIG. 1 is a top, front and right-side perspective view of a mail box with safety compartment showing my new design;

FIG. 2 is a left side elevational view;

FIG. 3 is a rear elevational view;

FIG. 4 is a front elevational view; and,

FIG. 5 is a bottom plan view thereof.



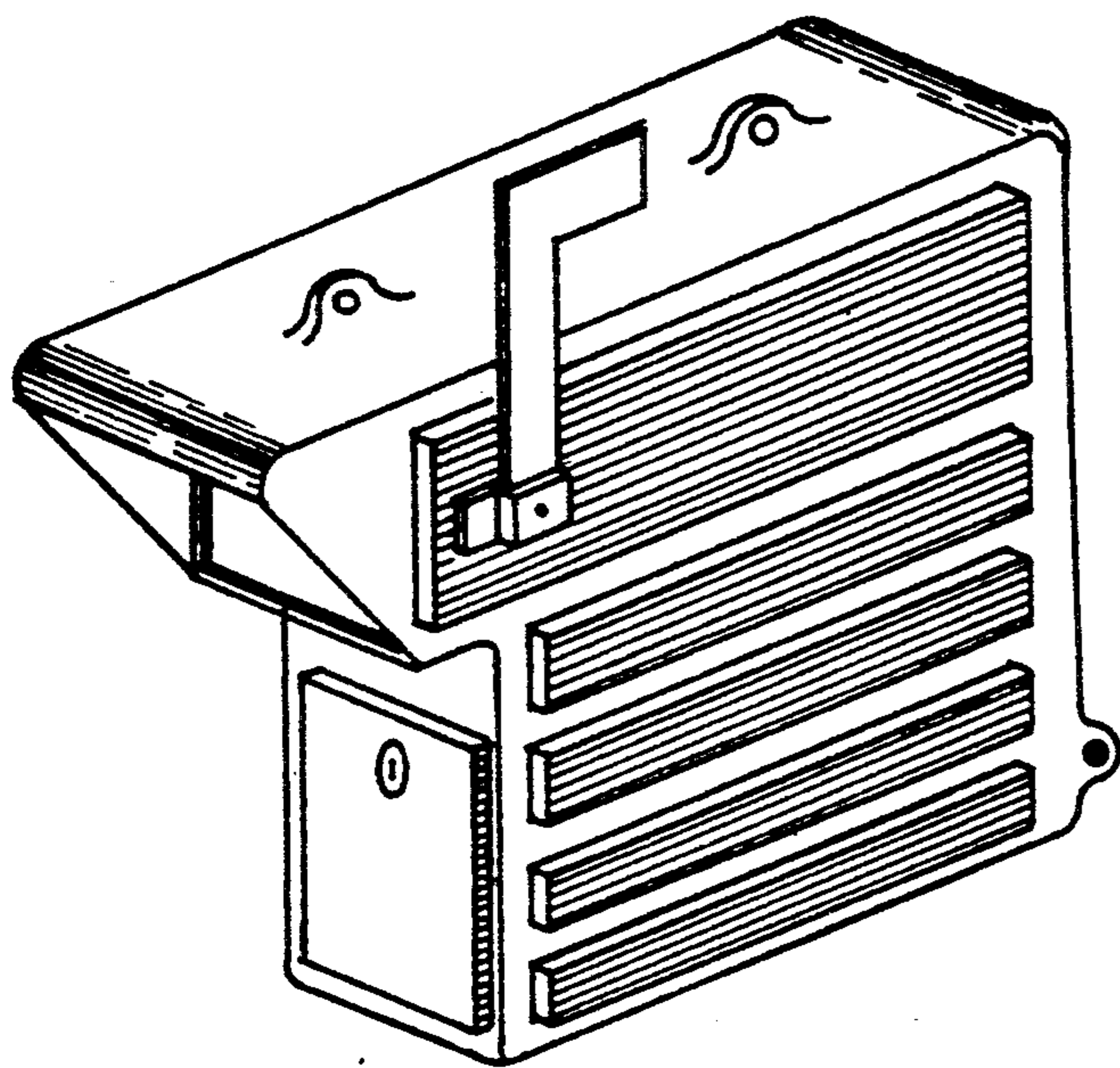


FIG. 1

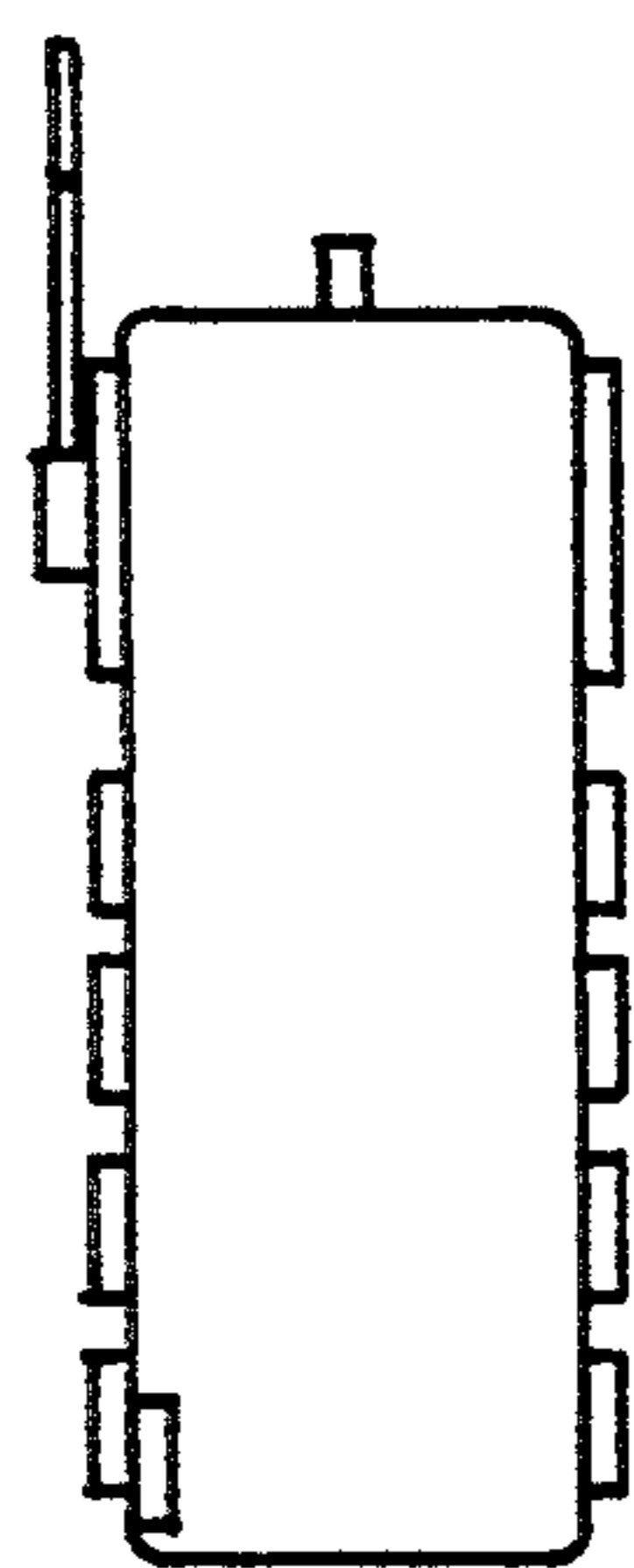


FIG. 3

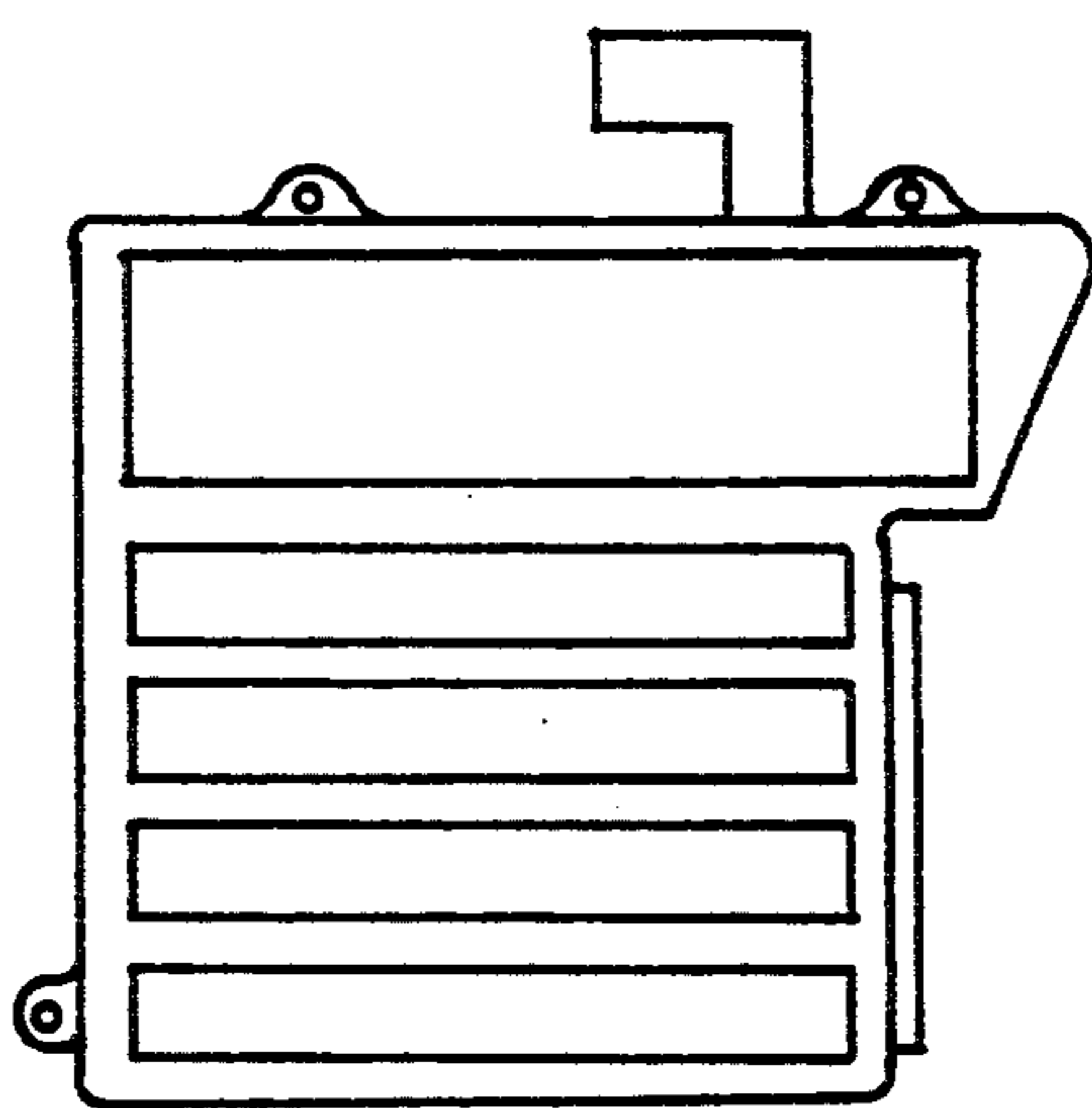


FIG. 2

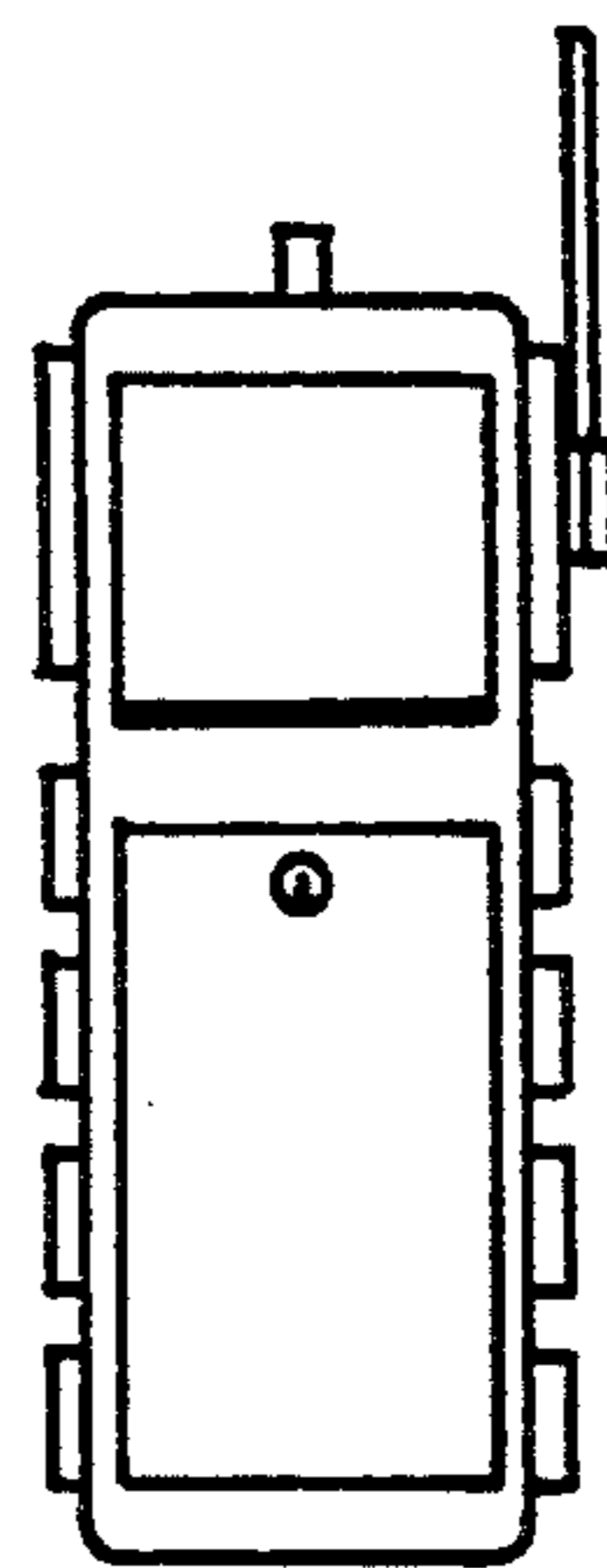


FIG. 4

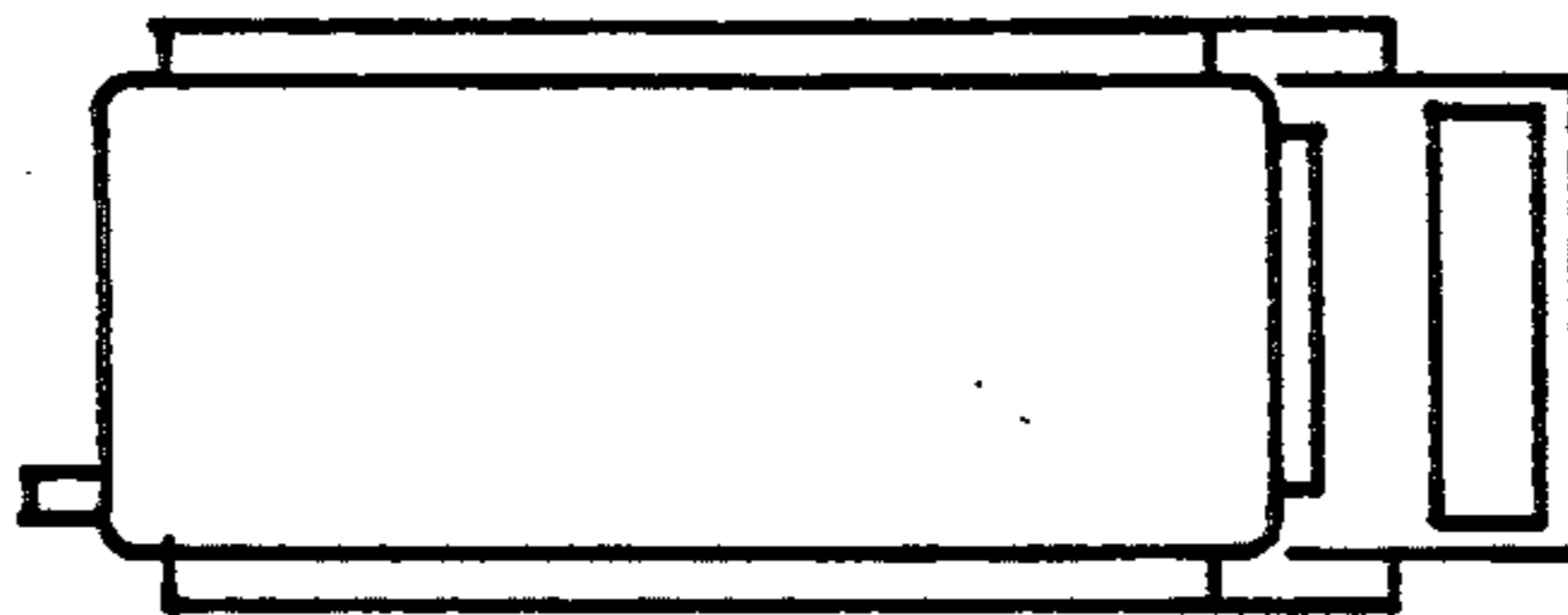


FIG. 5