



US00D328512S

United States Patent [19] Miller

[11] Patent Number: **Des. 328,512**

[45] Date of Patent: **** Aug. 4, 1992**

[54] **PORTABLE LOG LIFTER**

4,648,778 3/1987 Schultz 254/342 X

[76] Inventor: **Charles H. Miller**, 724 Lauff Ave.,
Crescent City, Calif. 95531

Primary Examiner—Wallace R. Burke
Assistant Examiner—H. Baynham
Attorney, Agent, or Firm—Leon Gilden

[**] Term: **14 Years**

[57] **CLAIM**

[21] Appl. No.: **476,656**

The ornamental design for a portable log lifter, as shown and described.

[22] Filed: **Feb. 8, 1990**

[52] U.S. Cl. **D34/28**

DESCRIPTION

[58] Field of Search D34/28, 31; D8/13, 51;
414/626, 546, 685; 254/131, 94, 17

FIG. 1 is a front elevational view of the portable log lifter showing my new design;

[56] **References Cited**

U.S. PATENT DOCUMENTS

- D. 107,574 12/1937 Johnson D34/31
- D. 215,746 10/1969 Hunnicutt D34/31
- D. 242,613 12/1976 Prather D34/31

FIG. 2 is a rear elevational view thereof;

FIG. 3 is a left side elevational view thereof;

FIG. 4 is a right side elevational view thereof;

FIG. 5 is a top plan view thereof;

FIG. 6 is a bottom plan view thereof; and,

FIG. 7 is a top, side perspective view thereof.

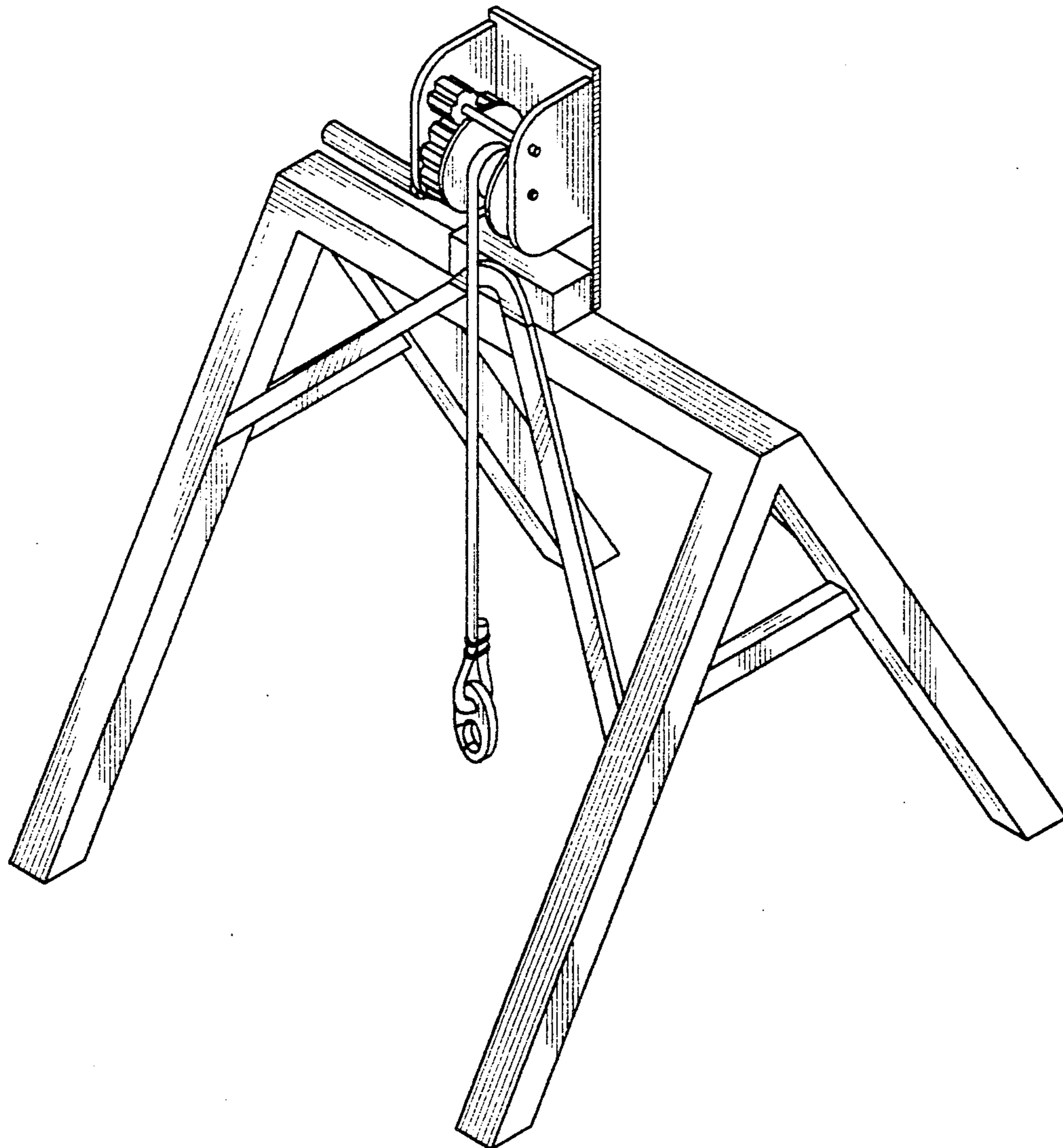


FIG. 1

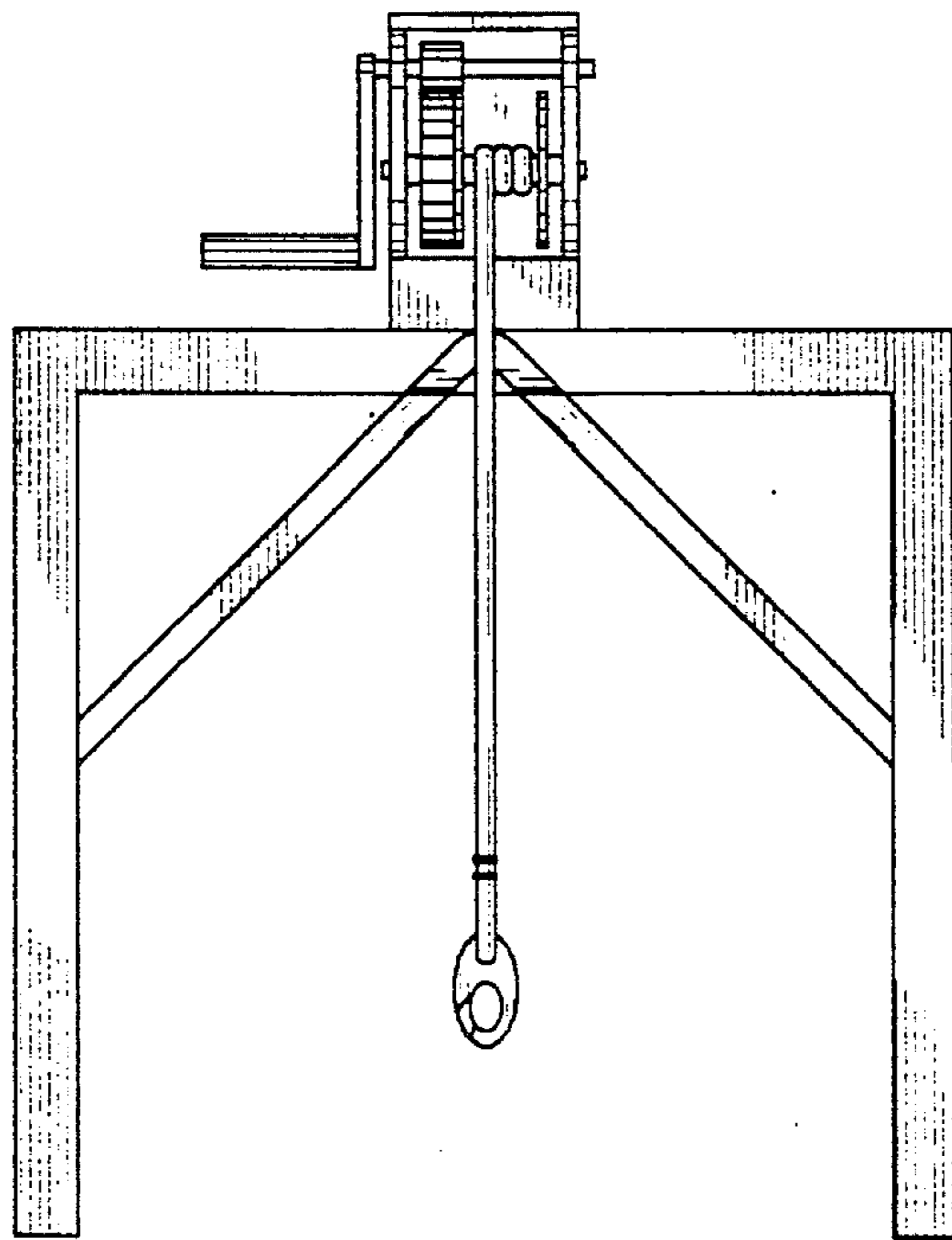


FIG. 2

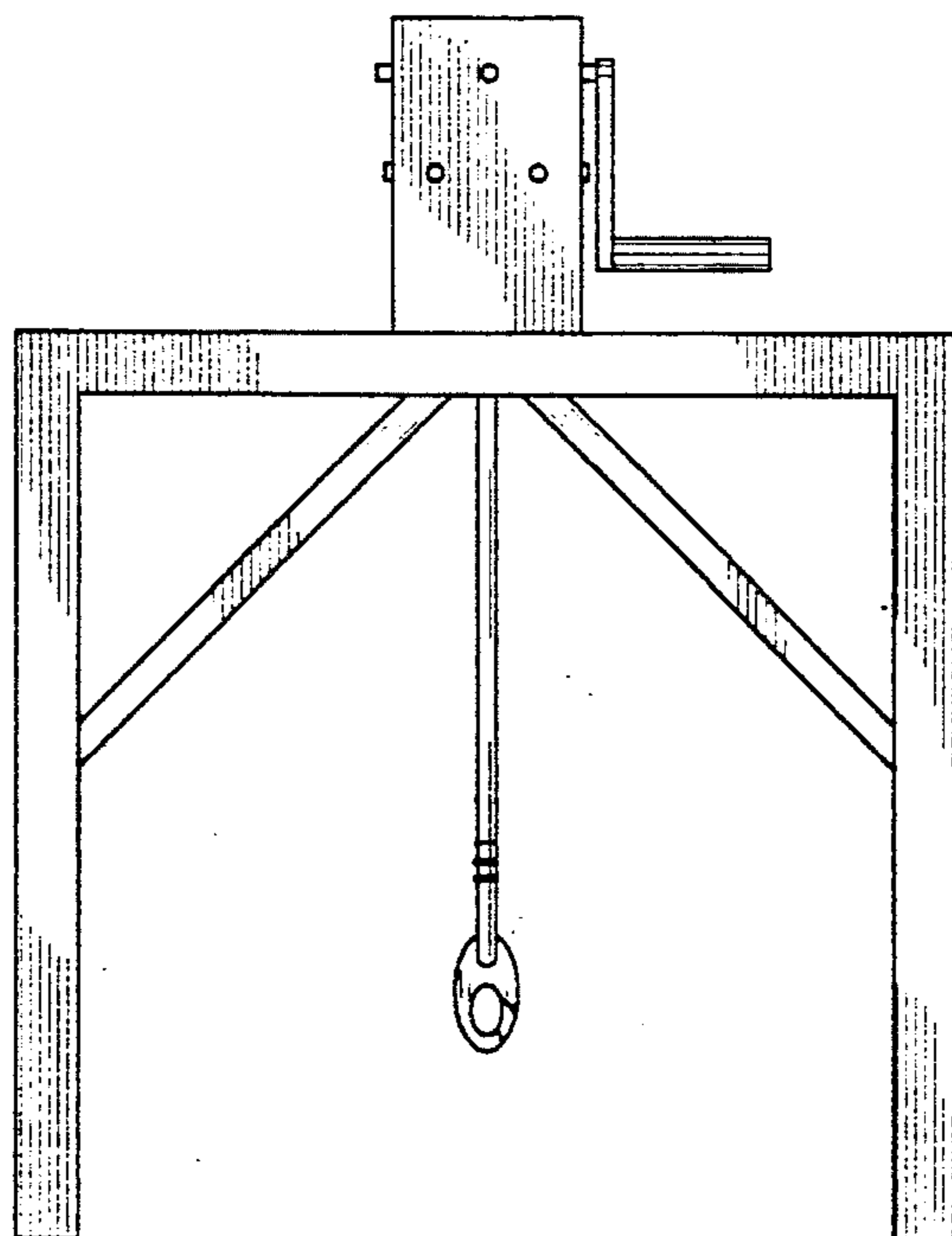


FIG. 3

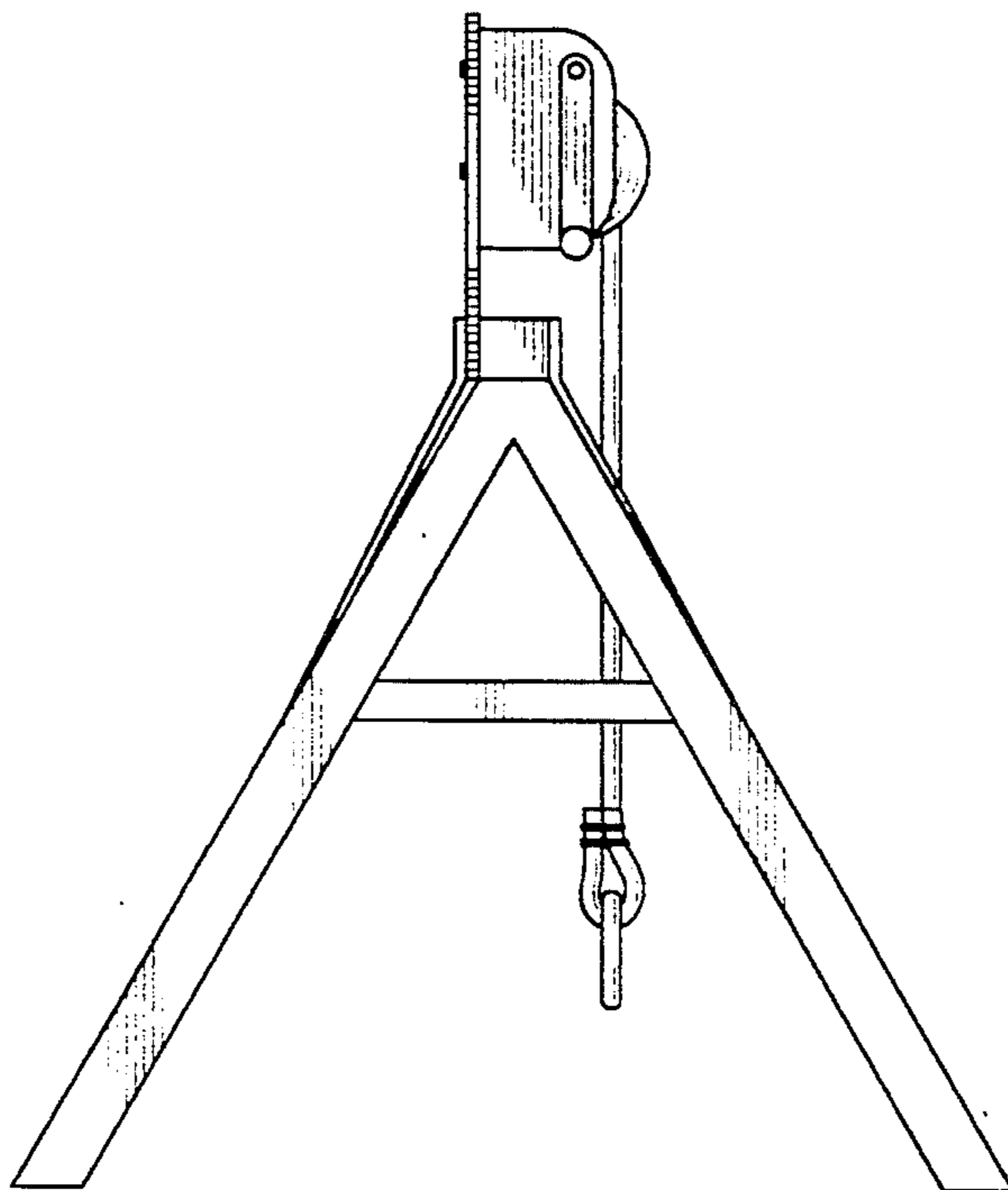


FIG. 4

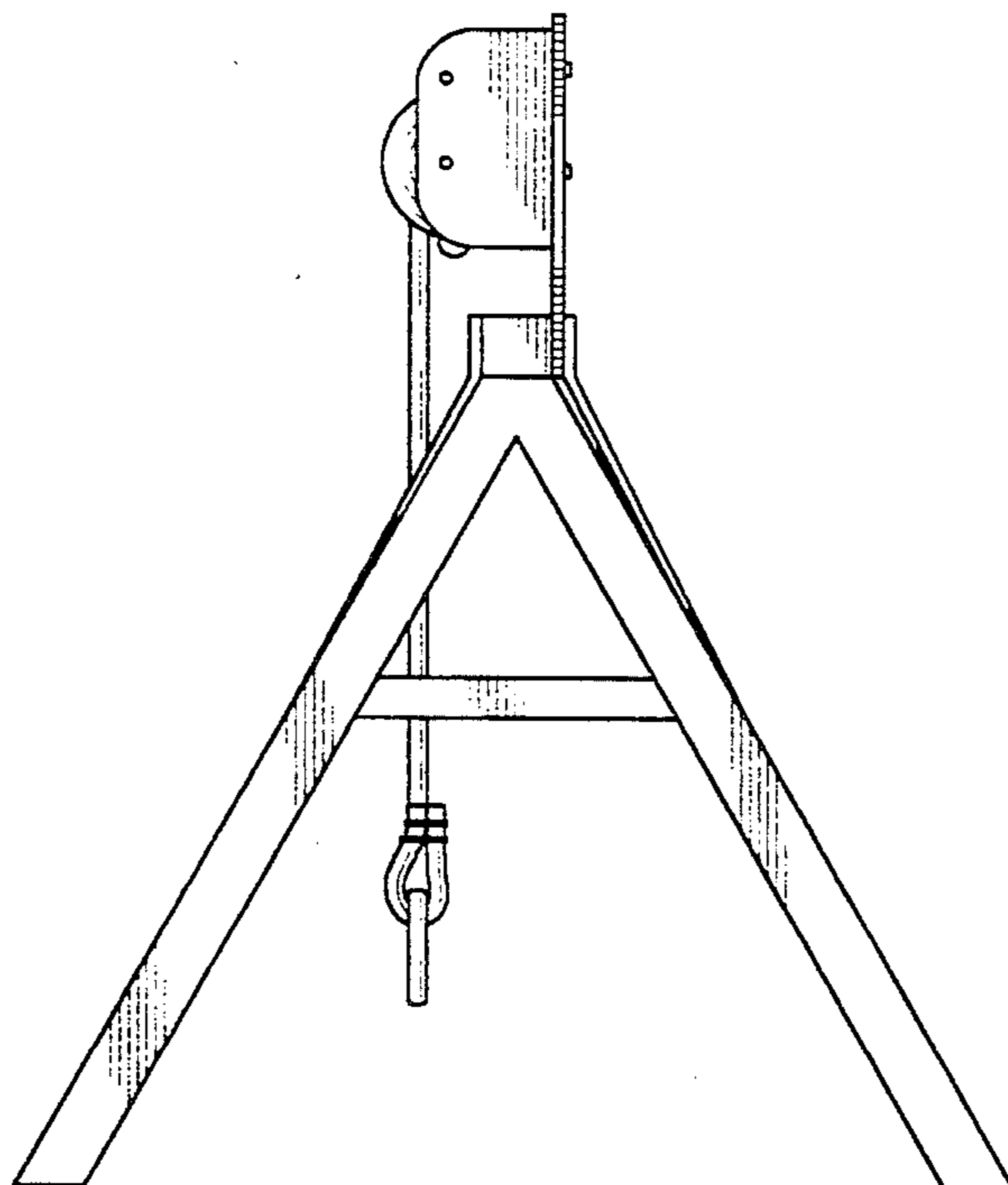


FIG. 5

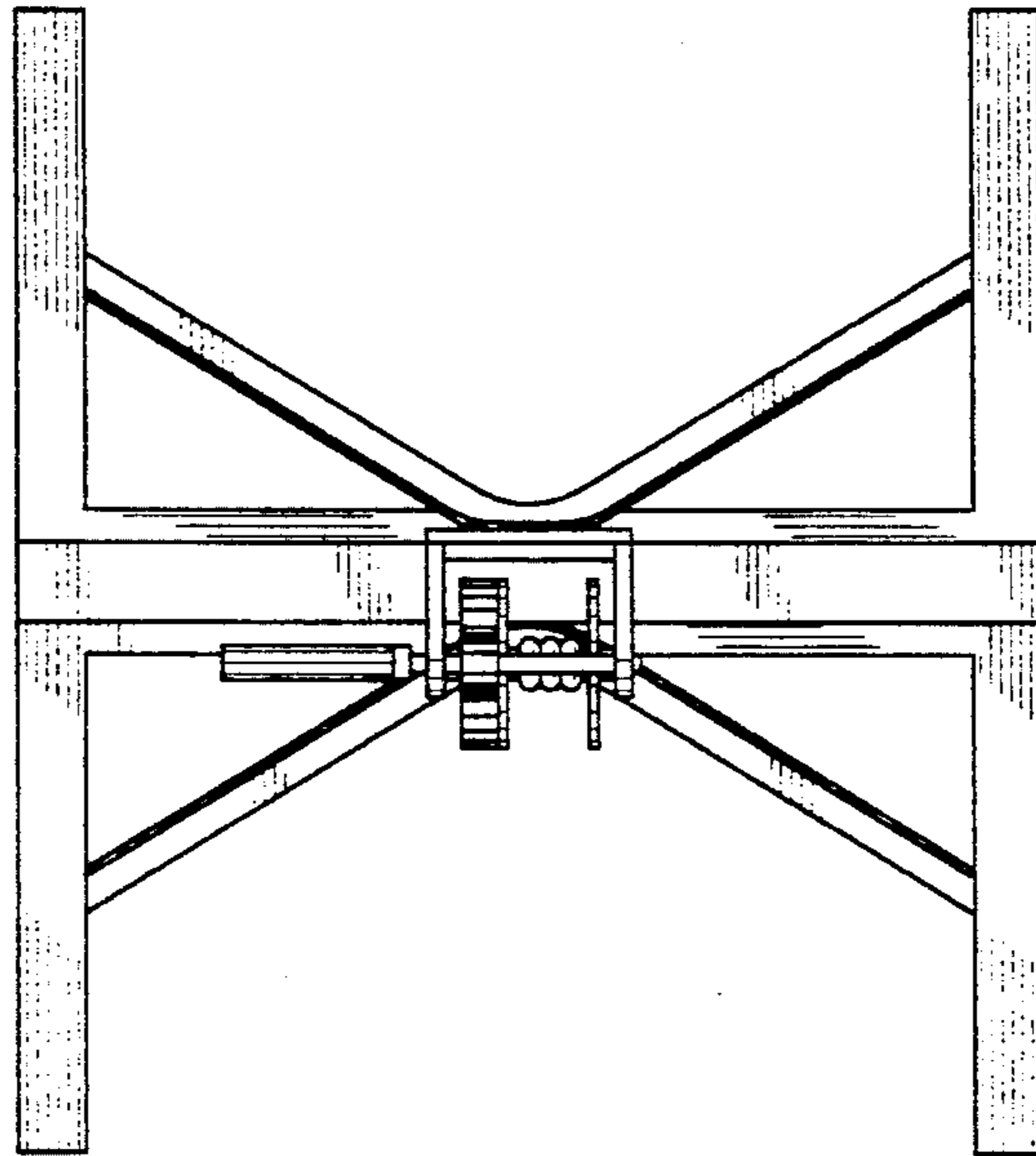


FIG. 6

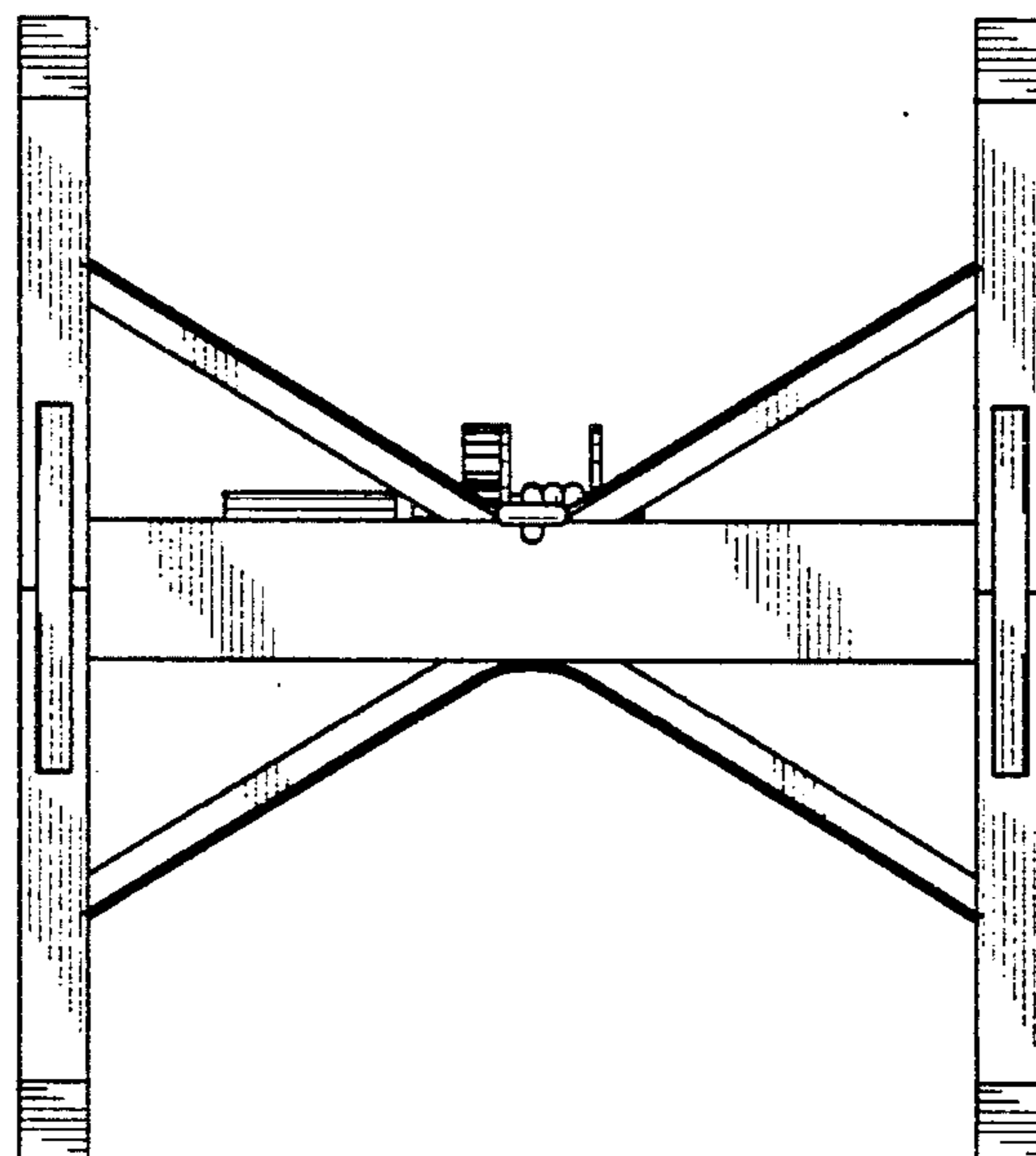


FIG. 7

