



US00D328511S

**United States Patent** [19]  
**Bureau**

[11] **Patent Number: Des. 328,511**  
[45] **Date of Patent: \*\* Aug. 4, 1992**

[54] **CANOE DOLLY**  
[76] **Inventor: Priscilla Bureau, Rte. 17, Sugar Hill, N.H. 03580**  
[\*\*] **Term: 14 Years**  
[21] **Appl. No.: 528,772**  
[22] **Filed: May 24, 1990**  
[52] **U.S. Cl. .... D34/23; D34/28; D34/24**  
[58] **Field of Search .... D34/12, 24, 28; 280/47.131, 414.1, 418, 414.2, 79.11; 114/344**

4,801,152 1/1989 Elliott et al. .... 280/79.11  
4,850,605 7/1989 Ray ..... D34/23

**OTHER PUBLICATIONS**

Yachting, Sep. 1976, p. 42, Dollies for the Small-boat Sailor.

*Primary Examiner*—Kay H. Chin  
*Attorney, Agent, or Firm*—Lee A. Strimbeck

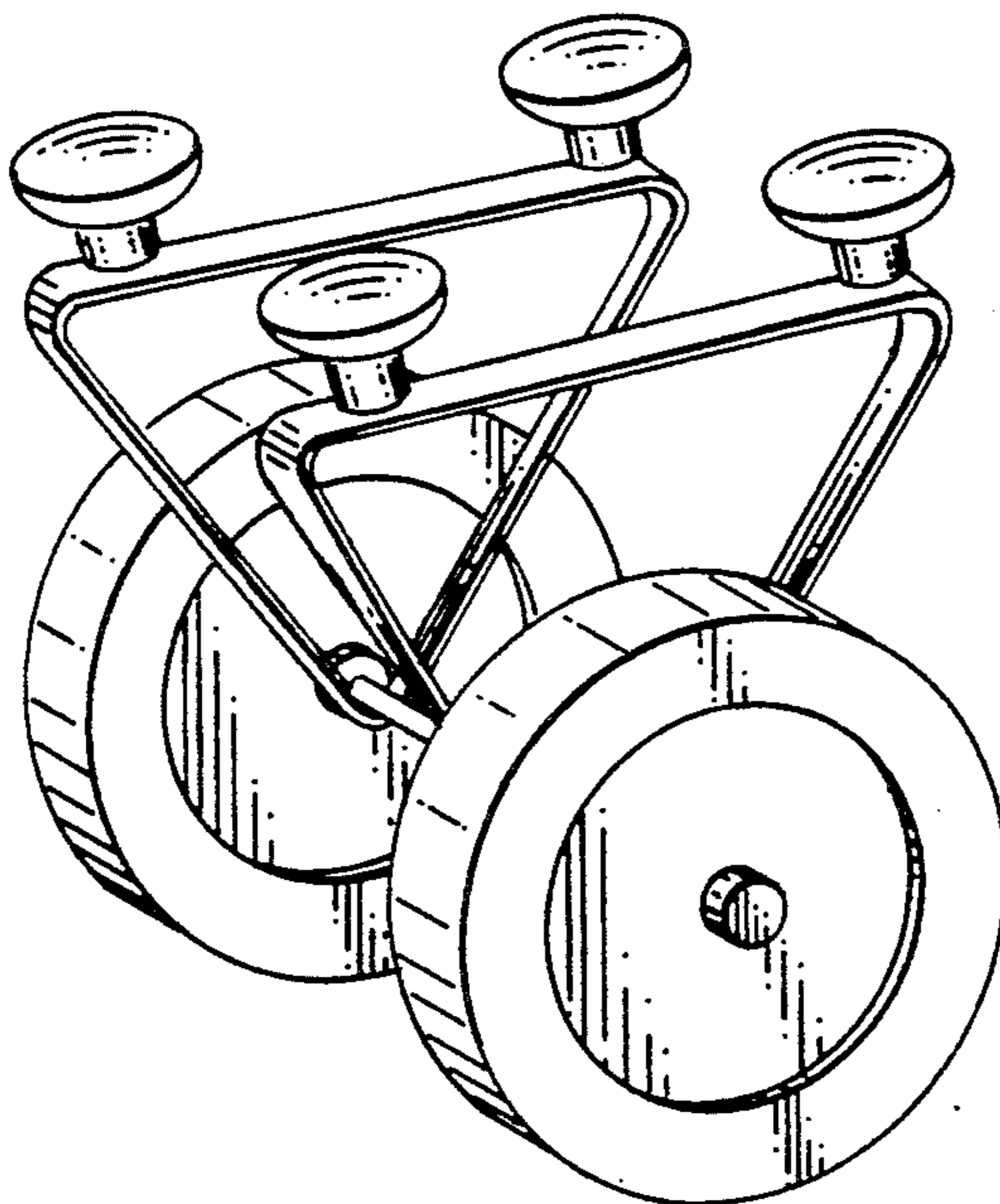
[57] **CLAIM**

The ornamental design for a canoe dolly, as shown and described.

**DESCRIPTION**

FIG. 1 is a top, front and side perspective view of a canoe dolly showing my new design, the opposite side perspective view being a mirror image of that shown; and, FIG. 2 is a top and rear perspective view thereof.

[56] **References Cited**  
**U.S. PATENT DOCUMENTS**  
D. 302,065 7/1989 Weale ..... D34/24  
3,917,083 11/1975 Carn ..... 280/414.1  
4,712,803 12/1987 Garcia ..... D34/23



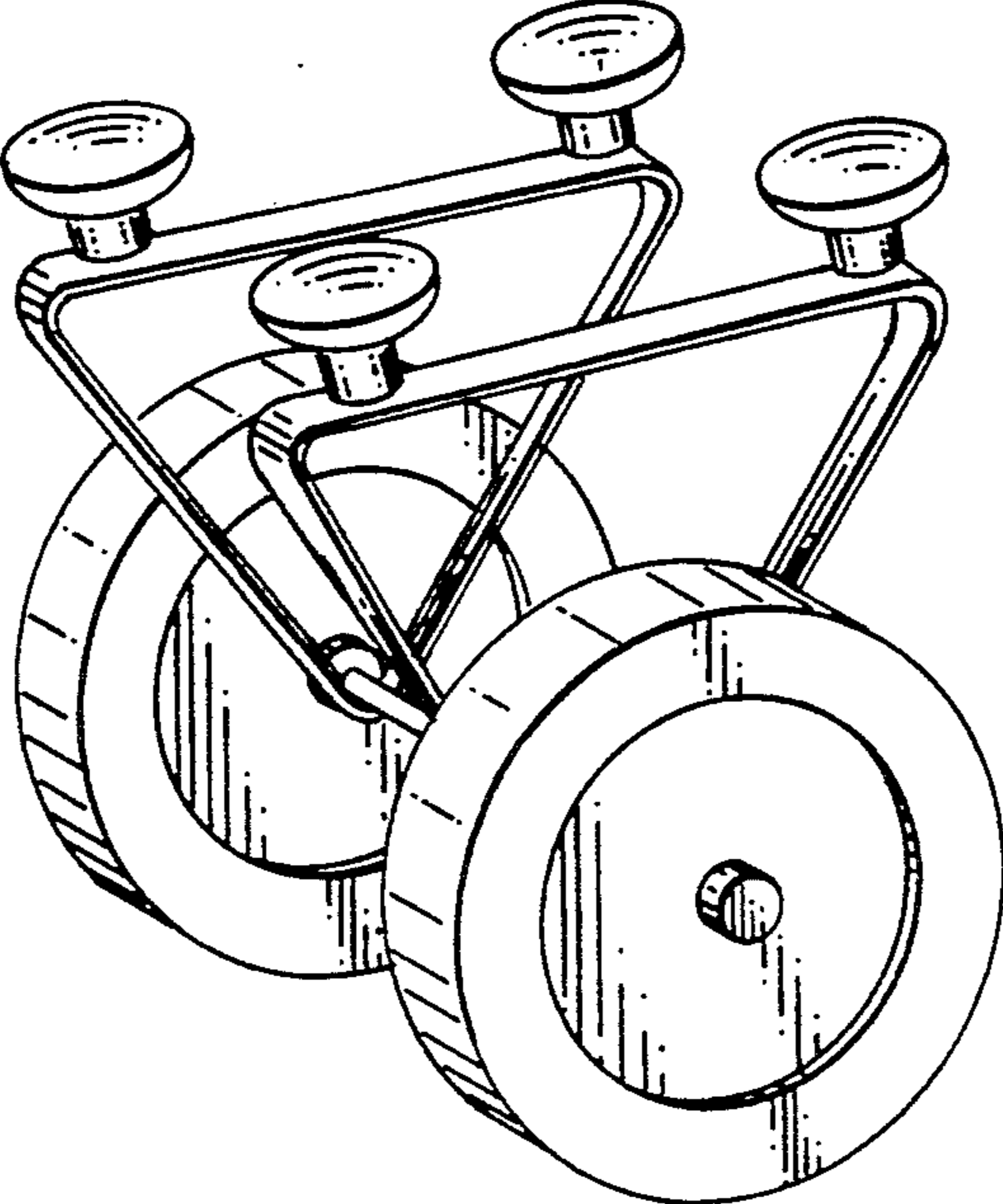


FIG.1

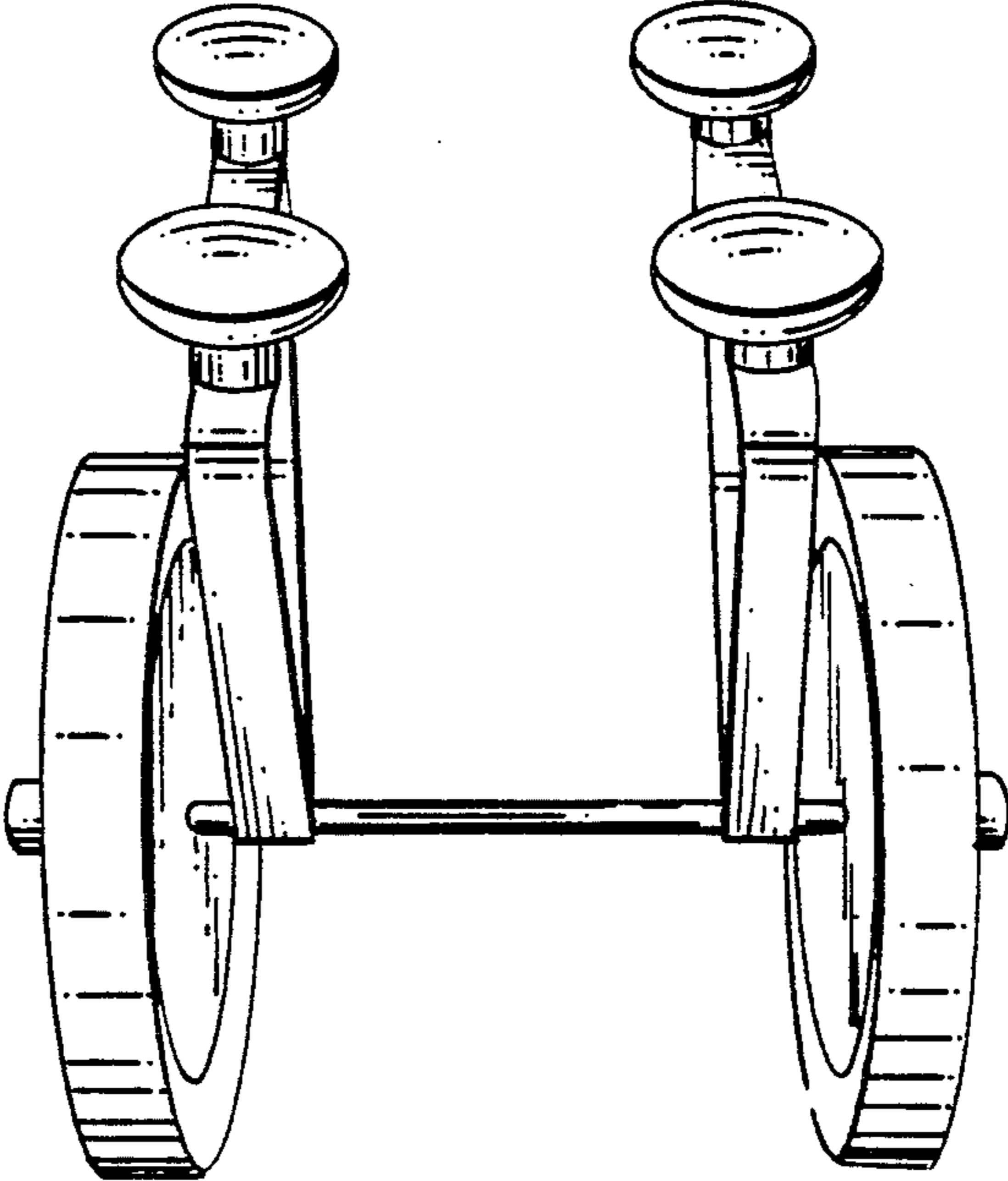


FIG.2