



US00D328505S

United States Patent [19]
Perry

[11] **Patent Number: Des. 328,505**
[45] **Date of Patent: ** Aug. 4, 1992**

[54] **DOGHOUSE WITH DOOR FLAP**
[76] **Inventor: Walter Perry, Rte. #1, Box 285, Mounds, Ill. 62964**
[**] **Term: 14 Years**
[21] **Appl. No.: 618,321**
[22] **Filed: Nov. 23, 1990**
[52] **U.S. Cl. D30/108**
[58] **Field of Search D30/108-109, D30/112-118, 120, 161; 119/28.5, 15, 16, 17, 19, 165, 168; 229/120.1, 120**

4,219,970 9/1980 Degidio 49/388

FOREIGN PATENT DOCUMENTS

570507 1/1933 Fed. Rep. of Germany 119/17

OTHER PUBLICATIONS

Animail Pet Care Products Catalog; p. 9, Insulated Doghouse (top left of page).

Primary Examiner—A. Hugo Word
Assistant Examiner—Cathy Anne MacCormac

[57] **CLAIM**

The ornamental design for a doghouse with door flap, as shown and described.

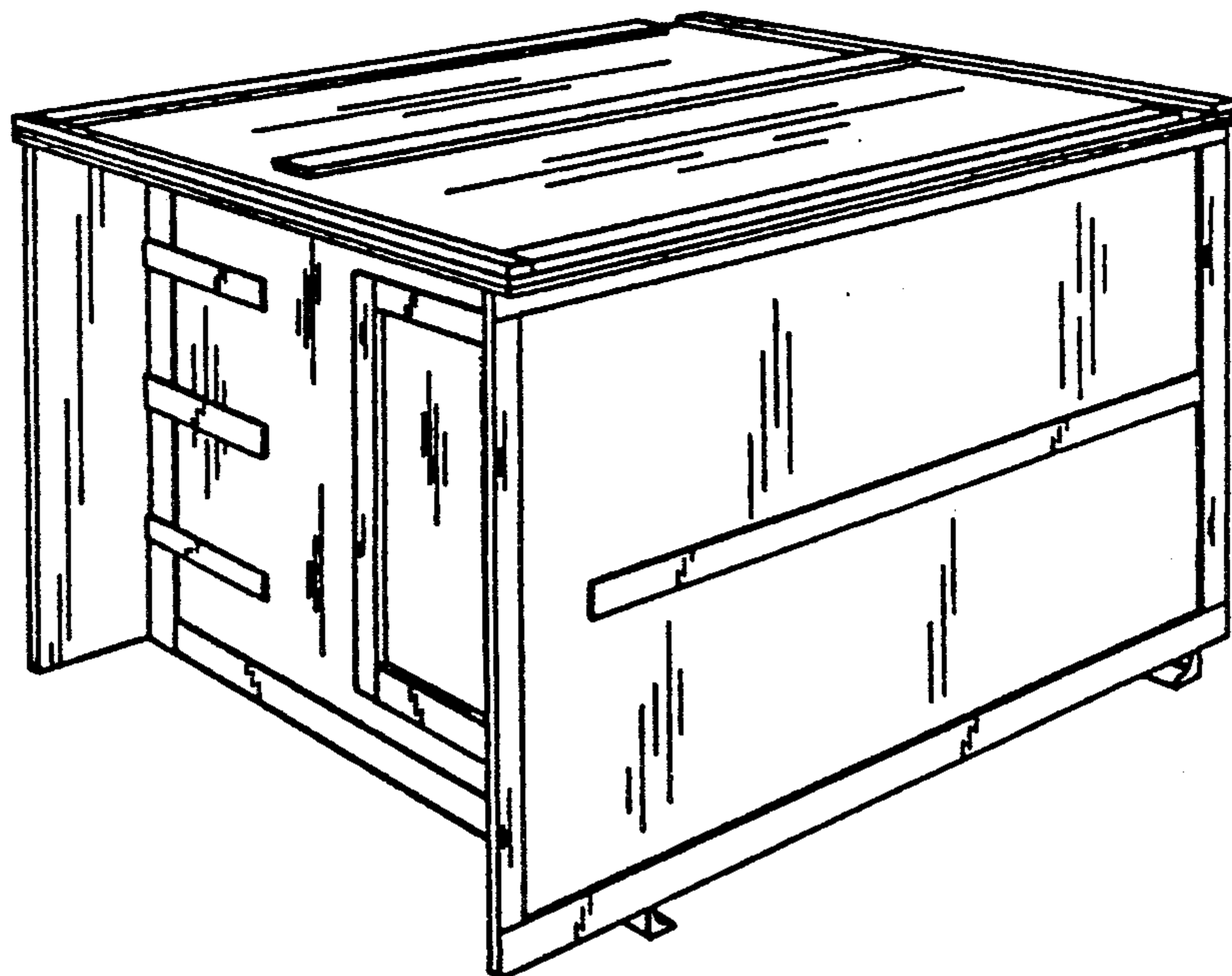
DESCRIPTION

FIG. 1 is a top, front and right side perspective view of a doghouse with door flap showing my new design; FIG. 2 is a front elevational view thereof; FIG. 3 is a rear elevational view thereof; FIG. 4 is a top plan view thereof; FIG. 5 is a right side elevational view thereof, the left side being a mirror image of the right side shown; FIG. 6 is a bottom plan view thereof; and, FIG. 7 is another front elevational view thereof showing the door flap open and behind the holding fingers.

[56] **References Cited**

U.S. PATENT DOCUMENTS

D. 193,769	10/1962	Kerr	D30/109
D. 245,190	7/1977	Higo	D30/108
D. 245,631	8/1977	Conner et al.	D30/108
D. 246,540	11/1977	Burleson	D30/112
D. 274,760	7/1984	Henderson	D30/108
D. 276,943	12/1984	Parrett	D30/108
3,063,414	11/1962	Huber	119/19
3,116,847	1/1964	Collins	119/19
3,195,506	7/1965	Beard	119/19
3,234,908	2/1966	Doskocil	119/19
3,791,347	2/1974	Lovel	119/19
3,890,932	6/1975	Sanzone et al.	D30/109



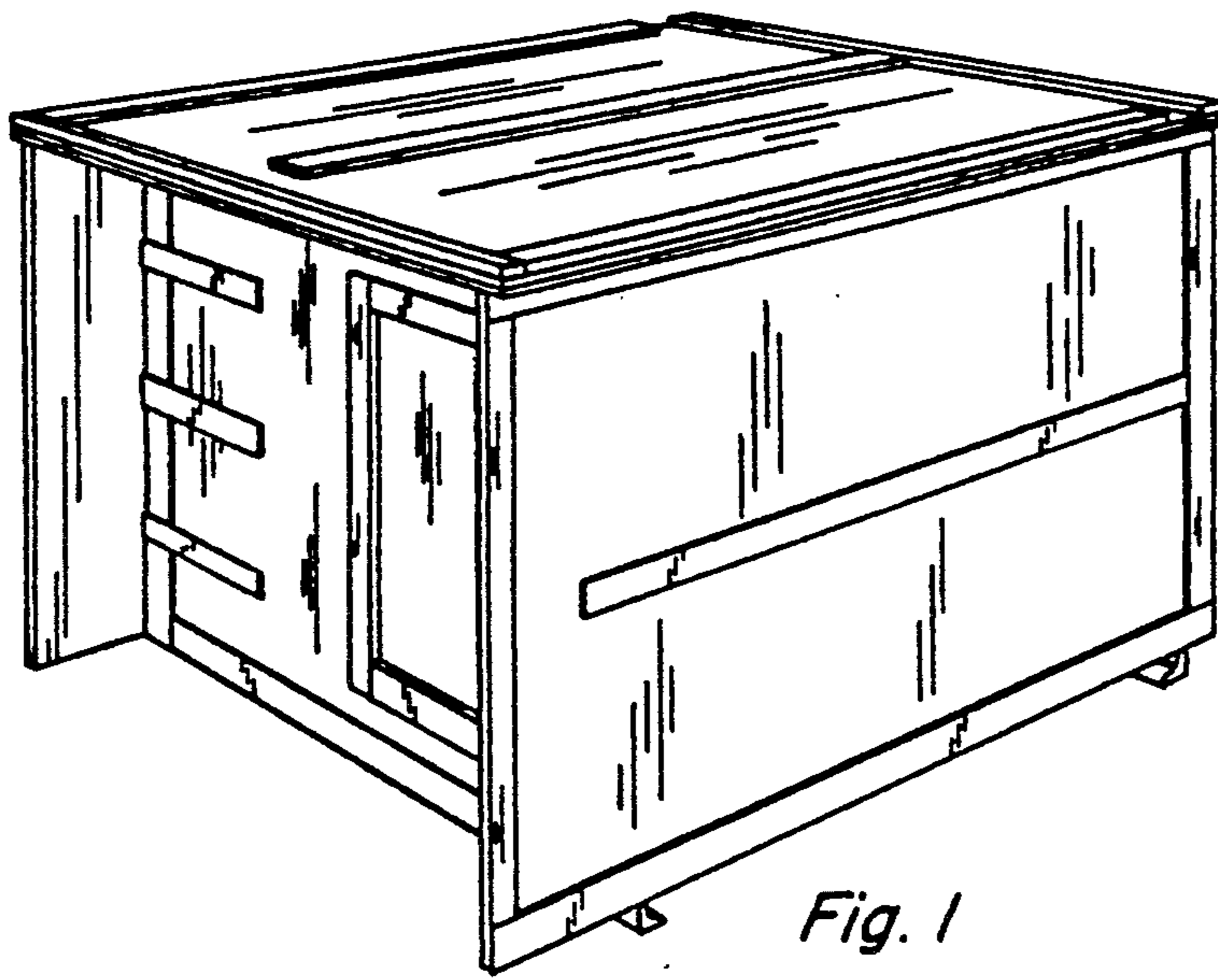


Fig. 1

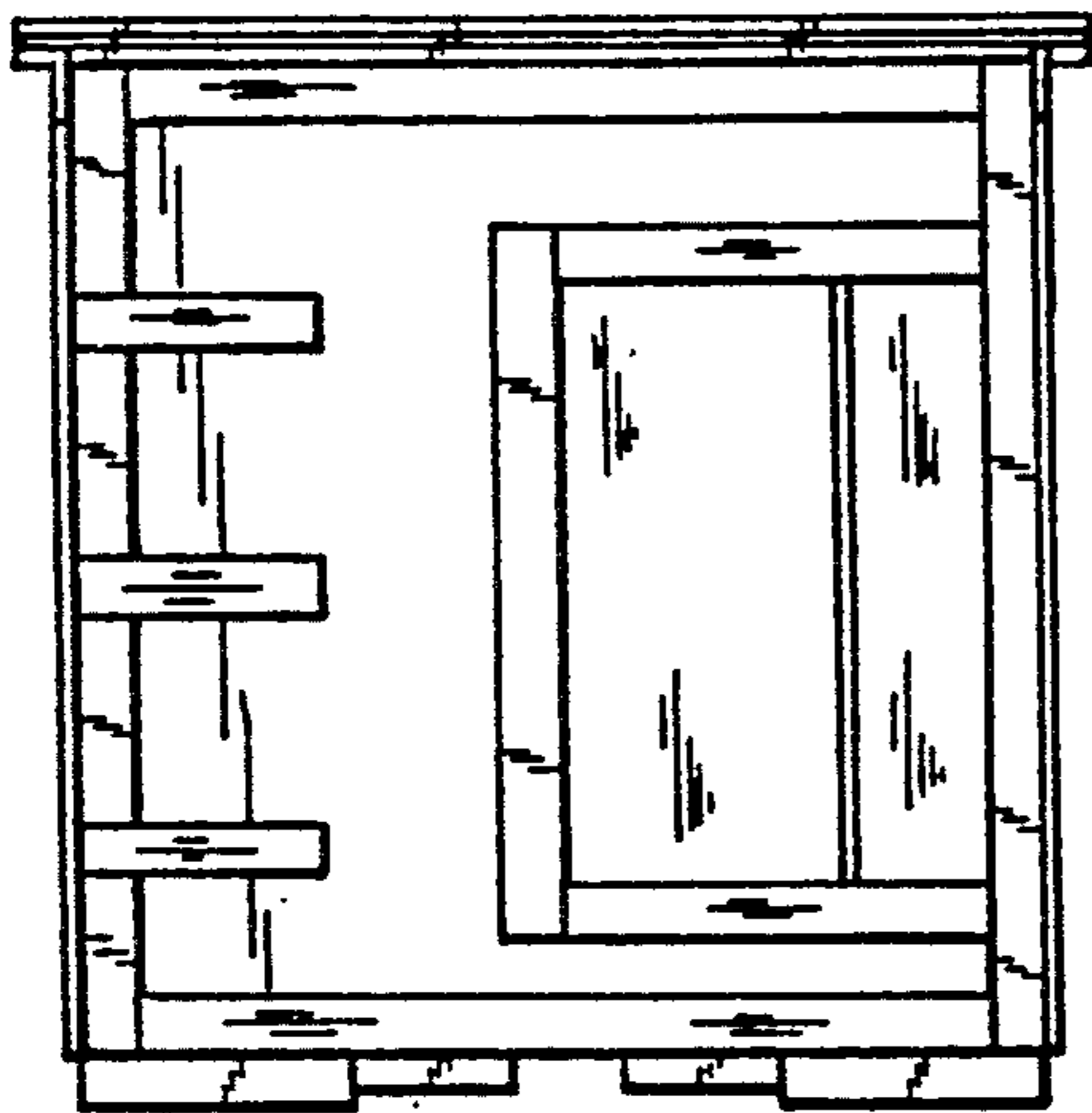


Fig. 2

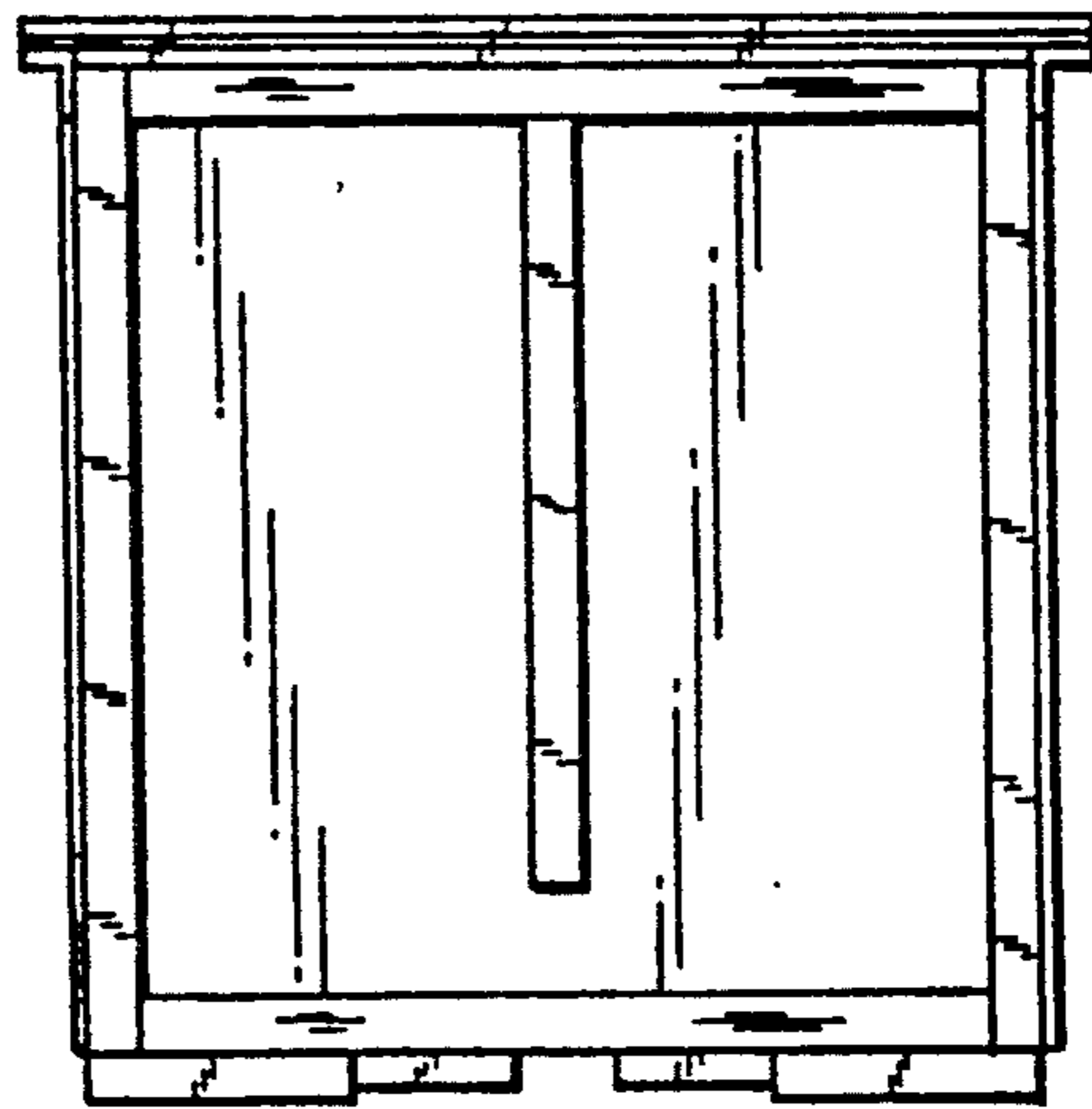


Fig. 3

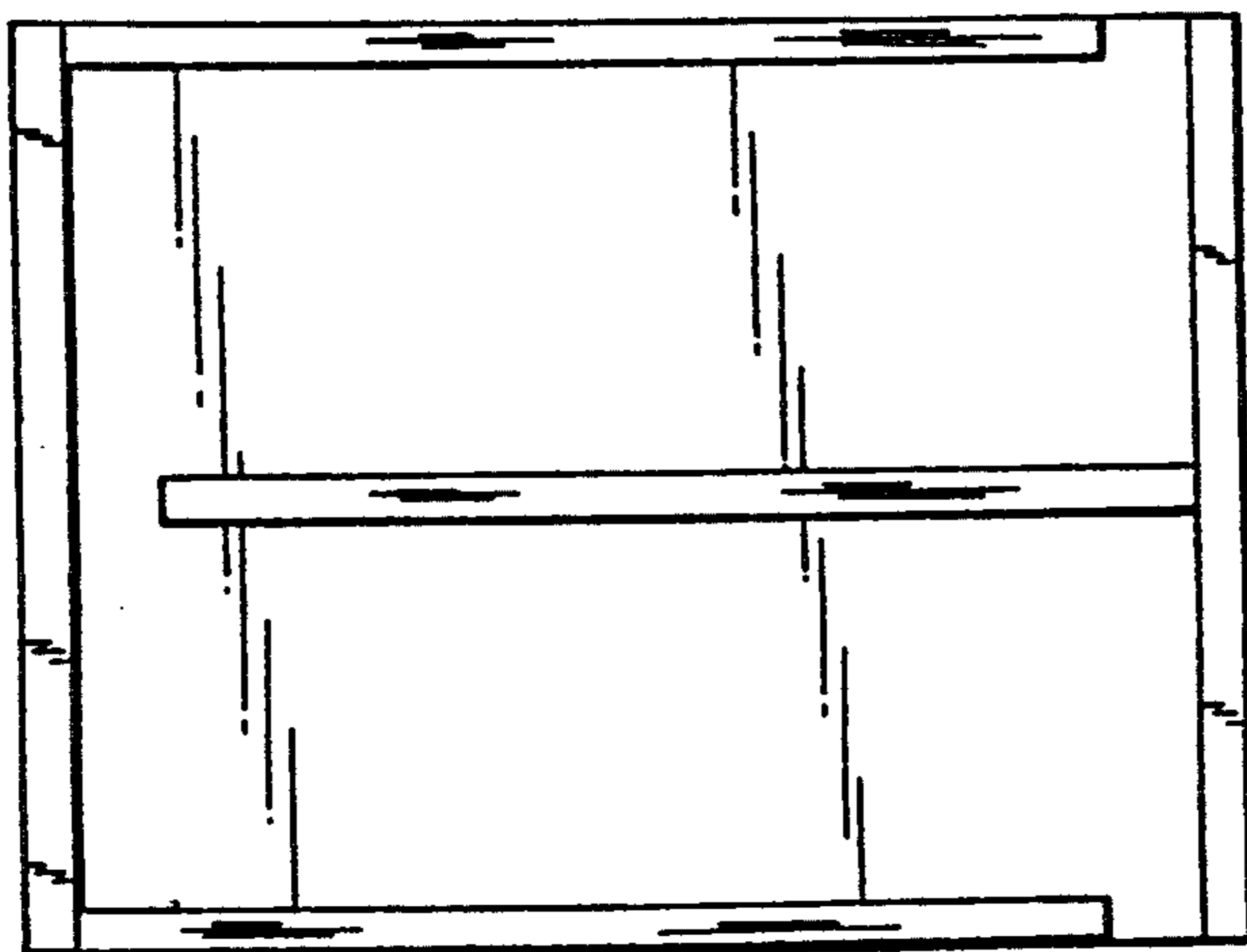


Fig. 4

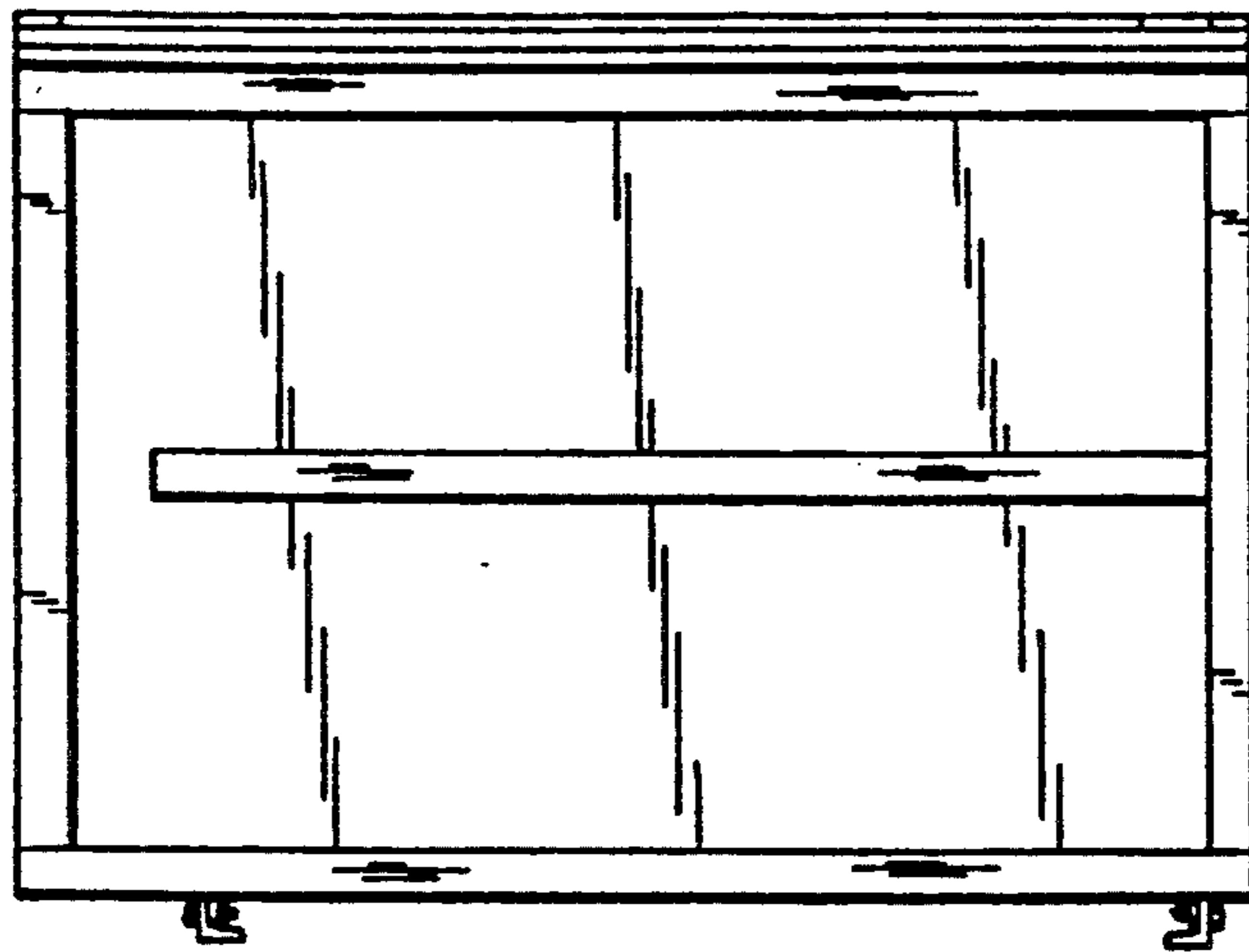


Fig. 5

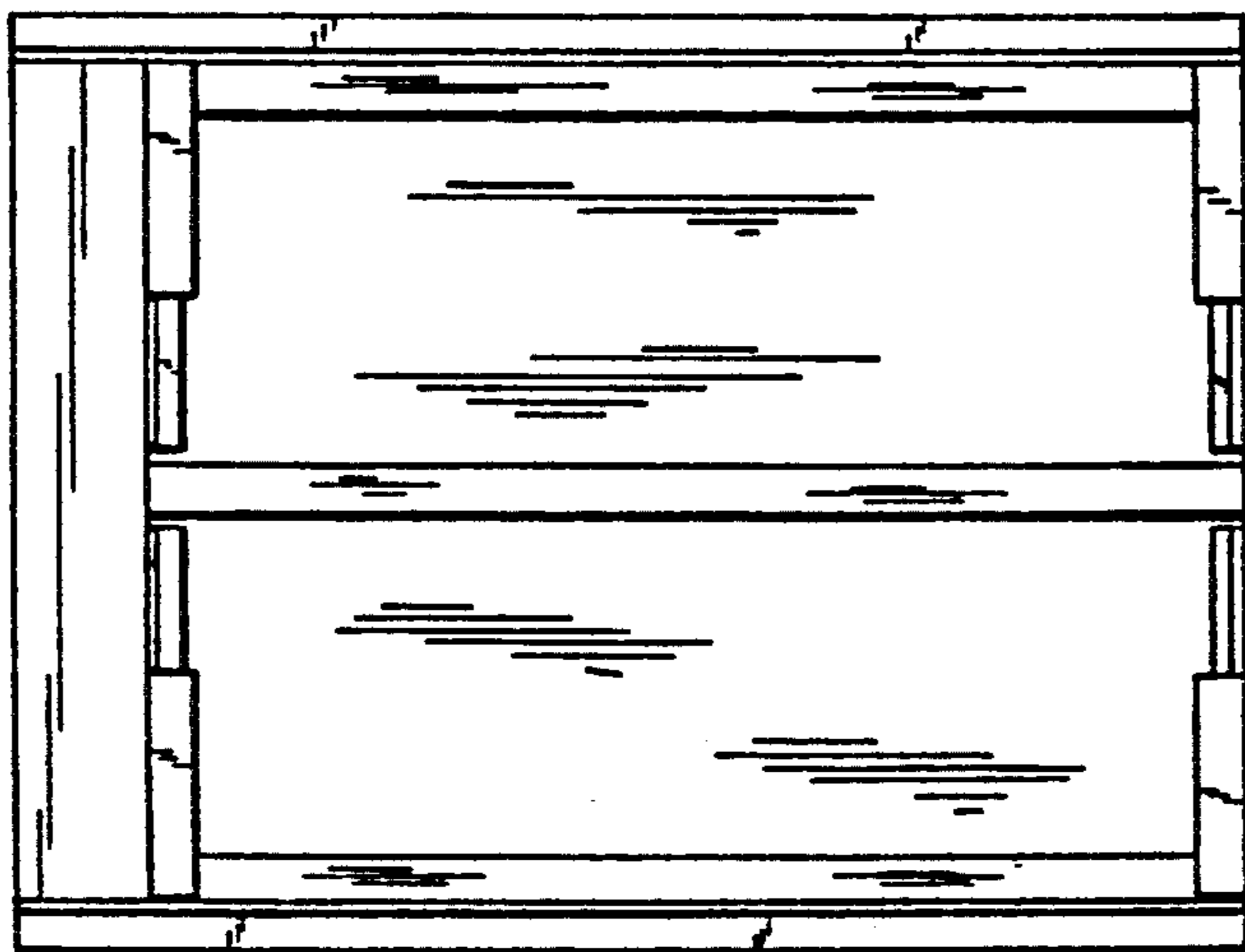


Fig. 6

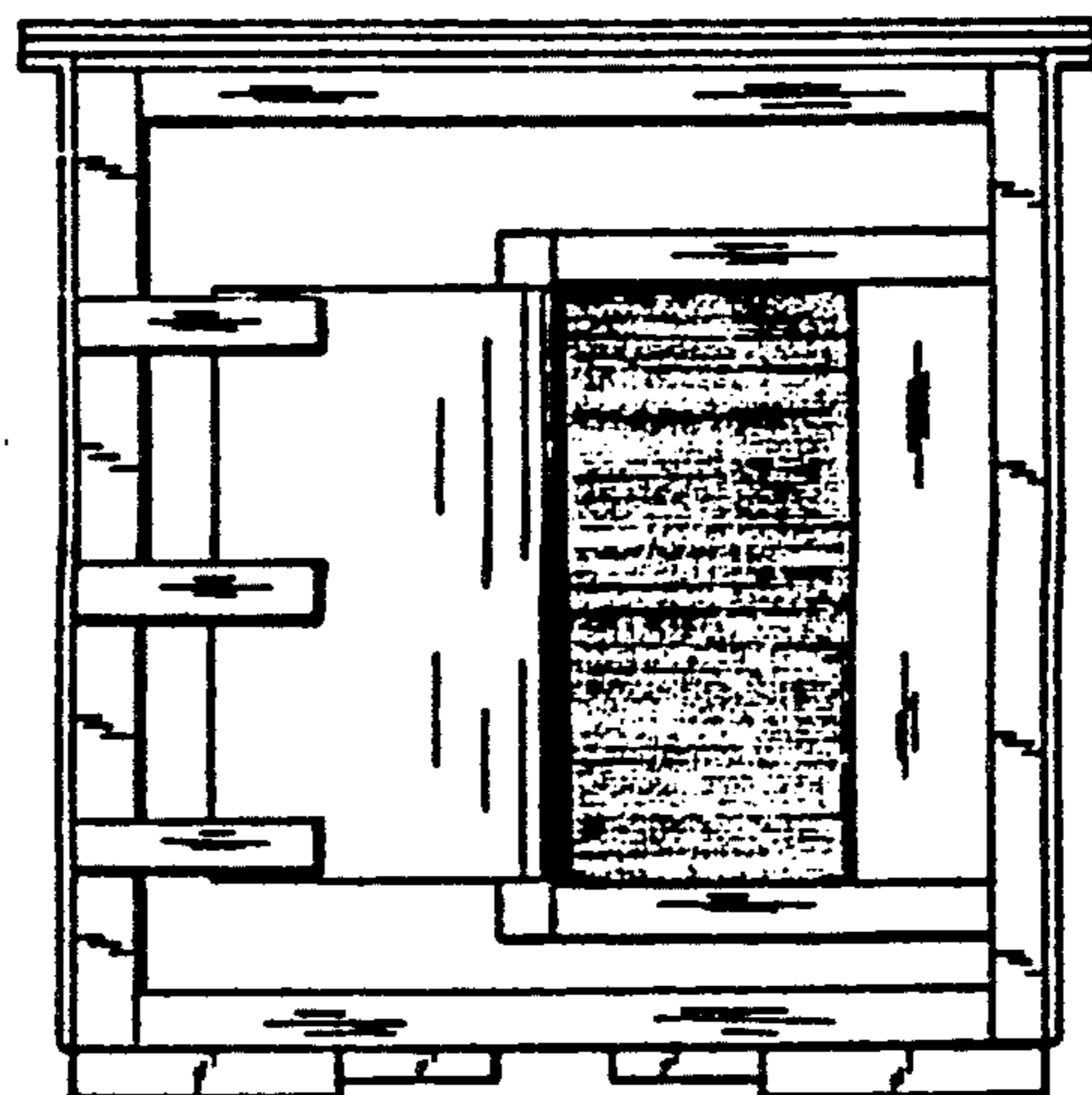


Fig. 7