



US00D328504S

United States Patent [19]

Davies

[11] Patent Number: **Des. 328,504**

[45] Date of Patent: **** Aug. 4, 1992**

[54] **EYELASH CURLER**

[75] Inventor: **Leslie O. Davies**, No. 2 Croft House, Priory Court, Chirbury, Montgomery, Powys, United Kingdom

[73] Assignees: **Doris Pena; Leslie O. Davies**, Santa Fe, N. Mex.

[**] Term: **14 Years**

[21] Appl. No.: **525,186**

[22] Filed: **May 17, 1990**

[30] **Foreign Application Priority Data**

Nov. 28, 1989 [GB] United Kingdom 2002839

[52] U.S. Cl. **D28/36**

[58] Field of Search D28/10, 35, 36; D8/57; 132/212, 217, 216, 223, 224

[56] **References Cited**

U.S. PATENT DOCUMENTS

D. 133,455	8/1942	Tuttle et al.	D28/36
D. 210,180	3/1968	Solomon	D28/36
1,667,556	4/1928	Lewis	132/224
2,159,912	5/1939	Squire et al.	132/217
2,893,404	7/1959	Flynn	132/217
3,547,135	7/1968	Roos	132/216
4,791,944	12/1988	Stein	132/217

FOREIGN PATENT DOCUMENTS

0081020	8/1981	European Pat. Off. .
0272034	8/1987	European Pat. Off. .
7628168	9/1976	Fed. Rep. of Germany .
1271648	8/1961	France 132/224
52-154459	12/1977	Japan .
61-209607	9/1986	Japan .
62-137005	6/1987	Japan .
63-249504	10/1988	Japan .

Primary Examiner—Bernard Ansher

Assistant Examiner—C. Tuttle

Attorney, Agent, or Firm—Poms, Smith, Lande & Rose

[57] **CLAIM**

The ornamental design for an eyelash curler, as shown.

DESCRIPTION

FIG. 1 is a side elevational view of an eyelash curler showing our new design;
 FIG. 2 is a perspective view thereof;
 FIG. 3 is an elevational view of the side opposite that shown in FIG. 1;
 FIG. 4 is an elevational view seen from the left of FIG. 1;
 FIG. 5 is an elevational view seen from the right of FIG. 1;
 FIG. 6 is a top plan view thereof; and,
 FIG. 7 is a bottom plan view thereof.

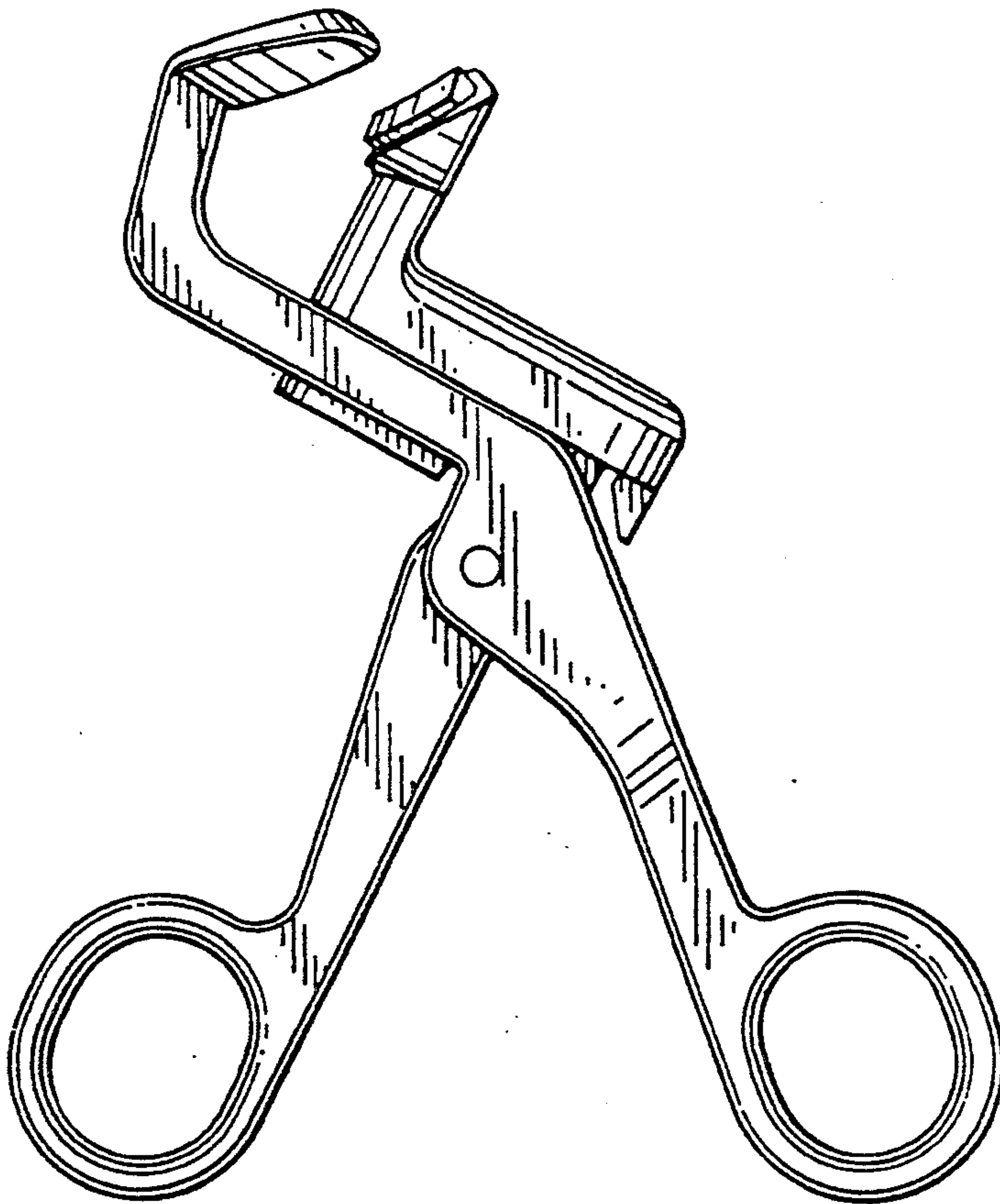


FIG.1.

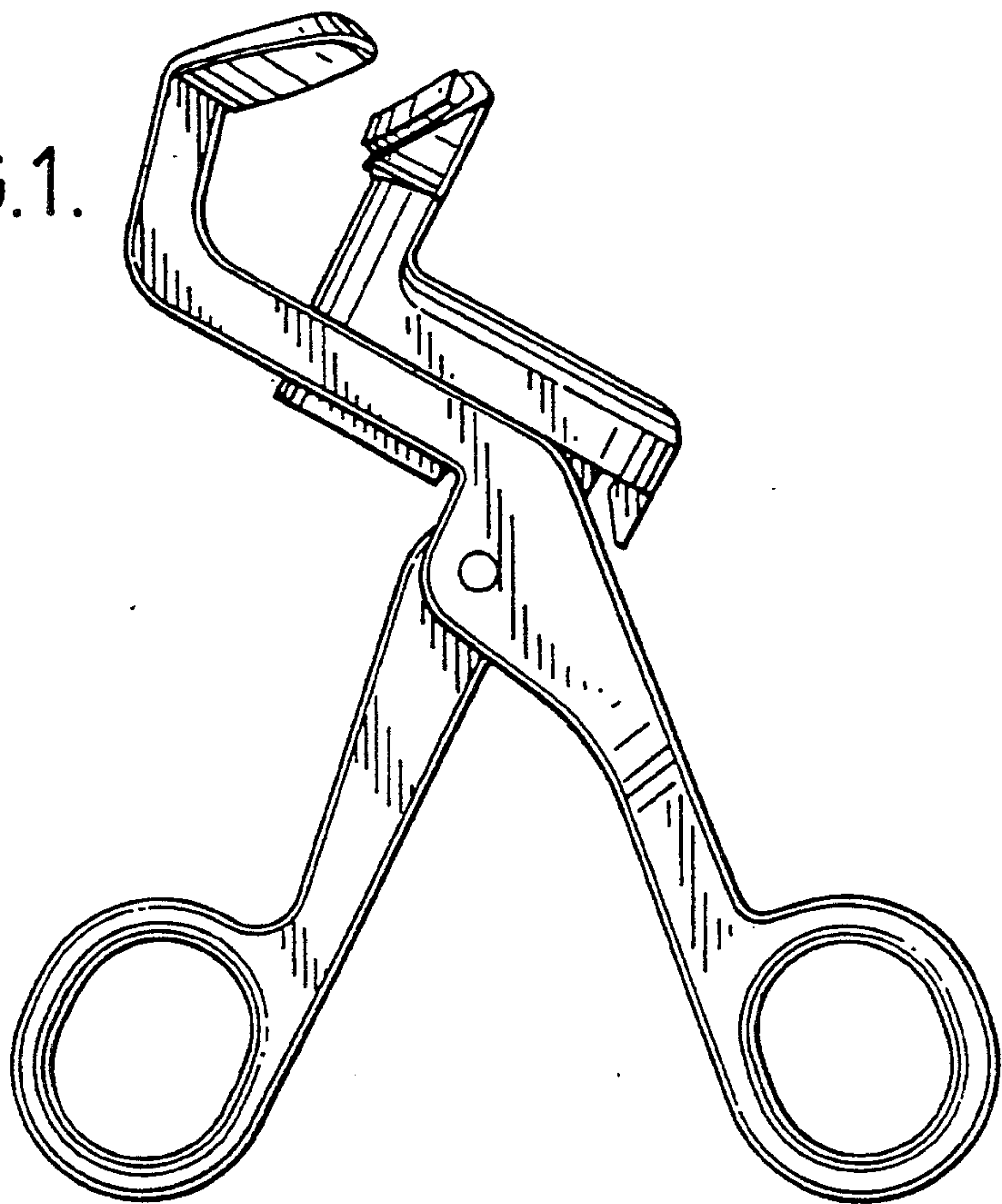
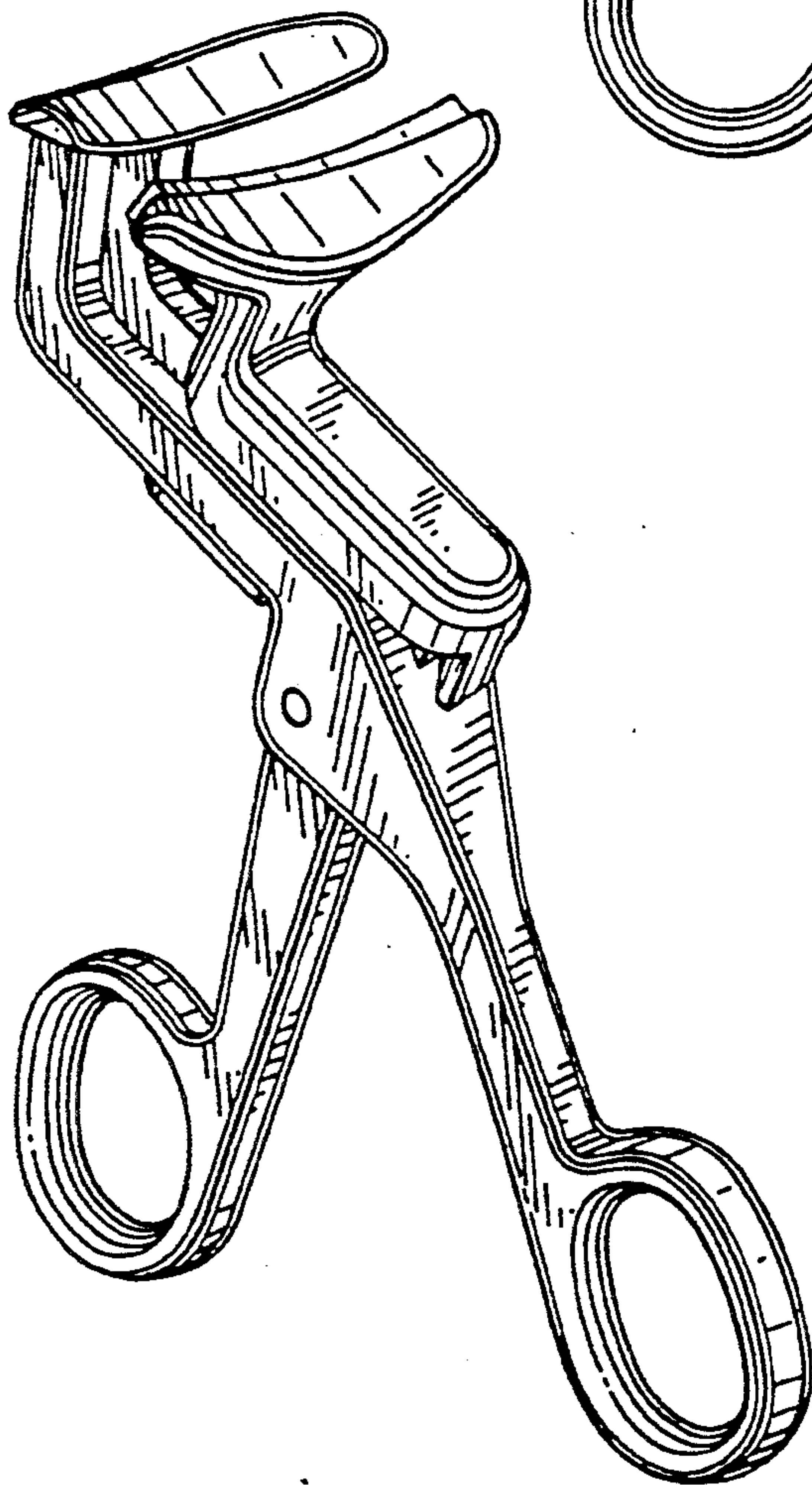


FIG.2.



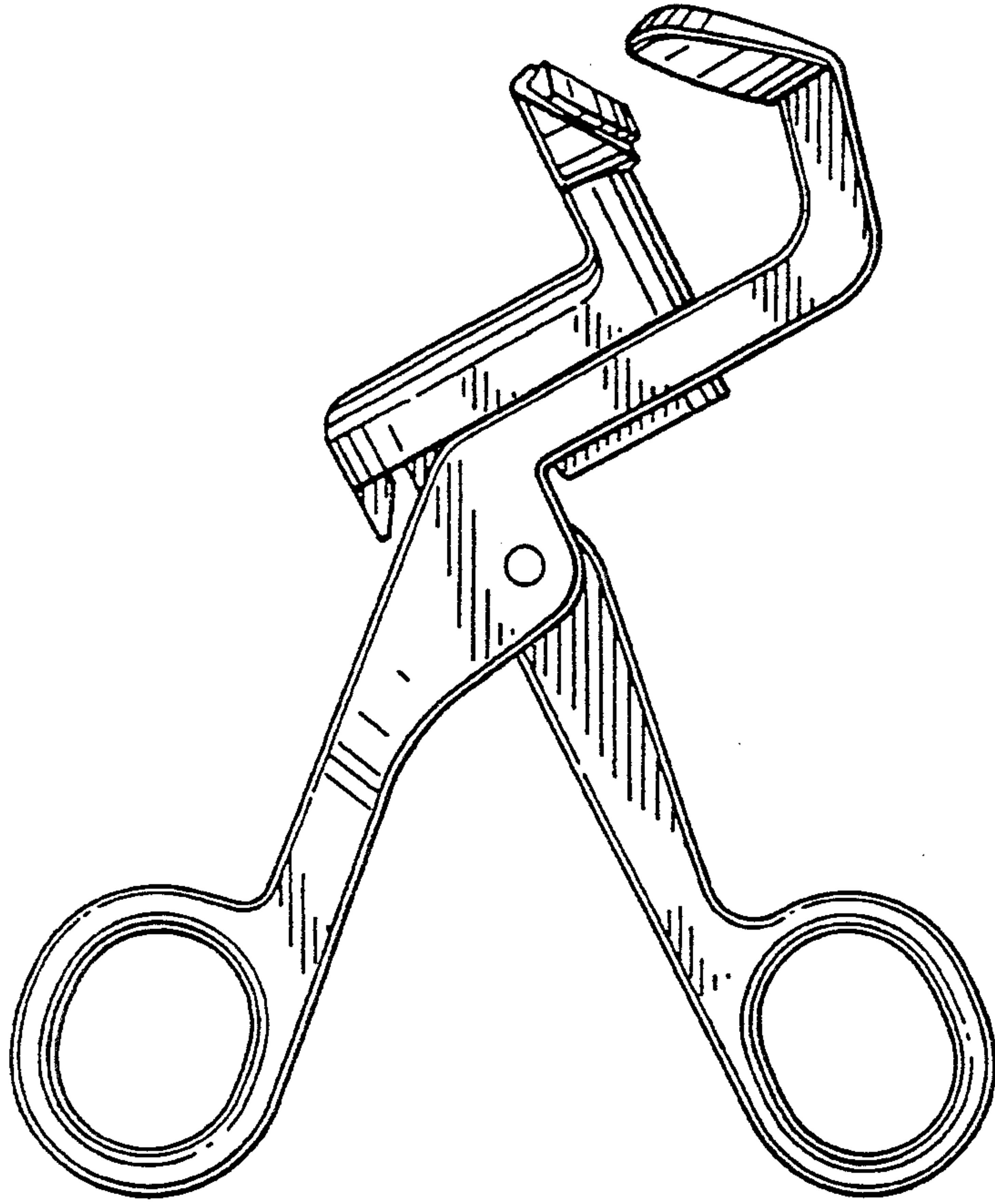


FIG. 3.

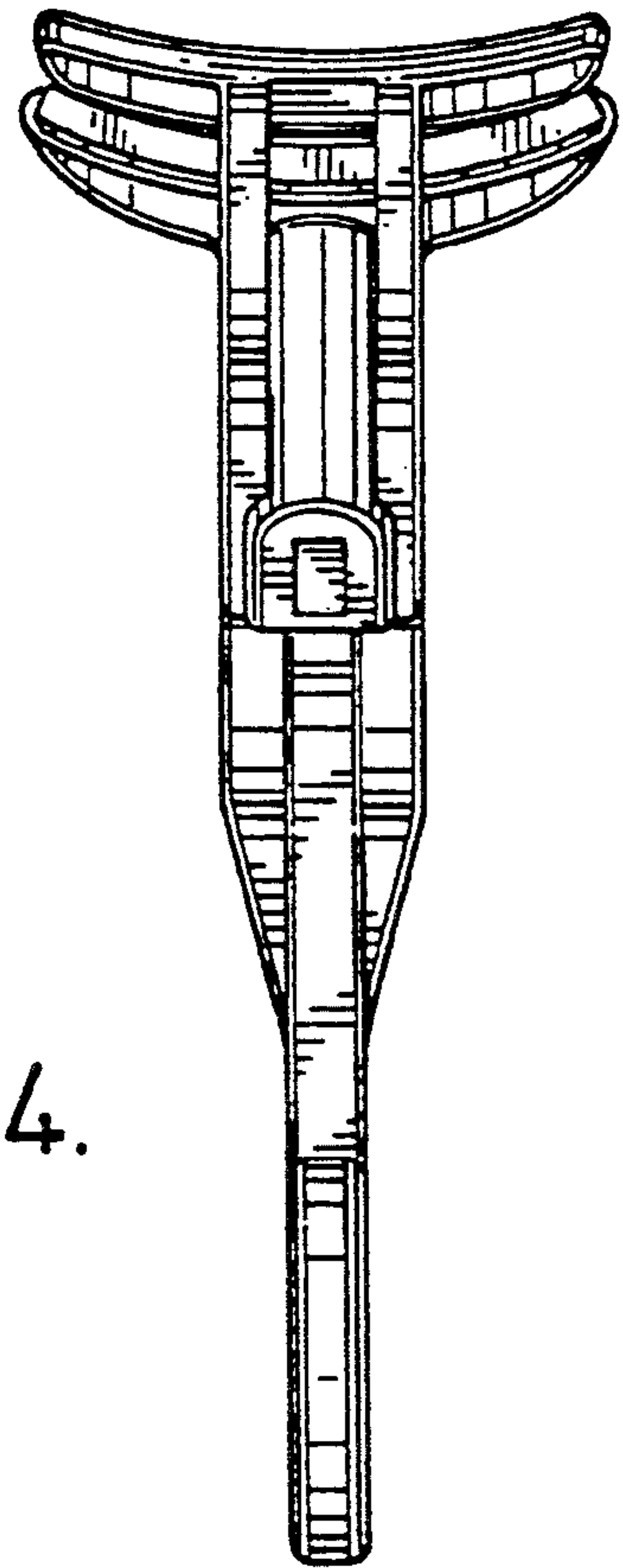


FIG. 4.

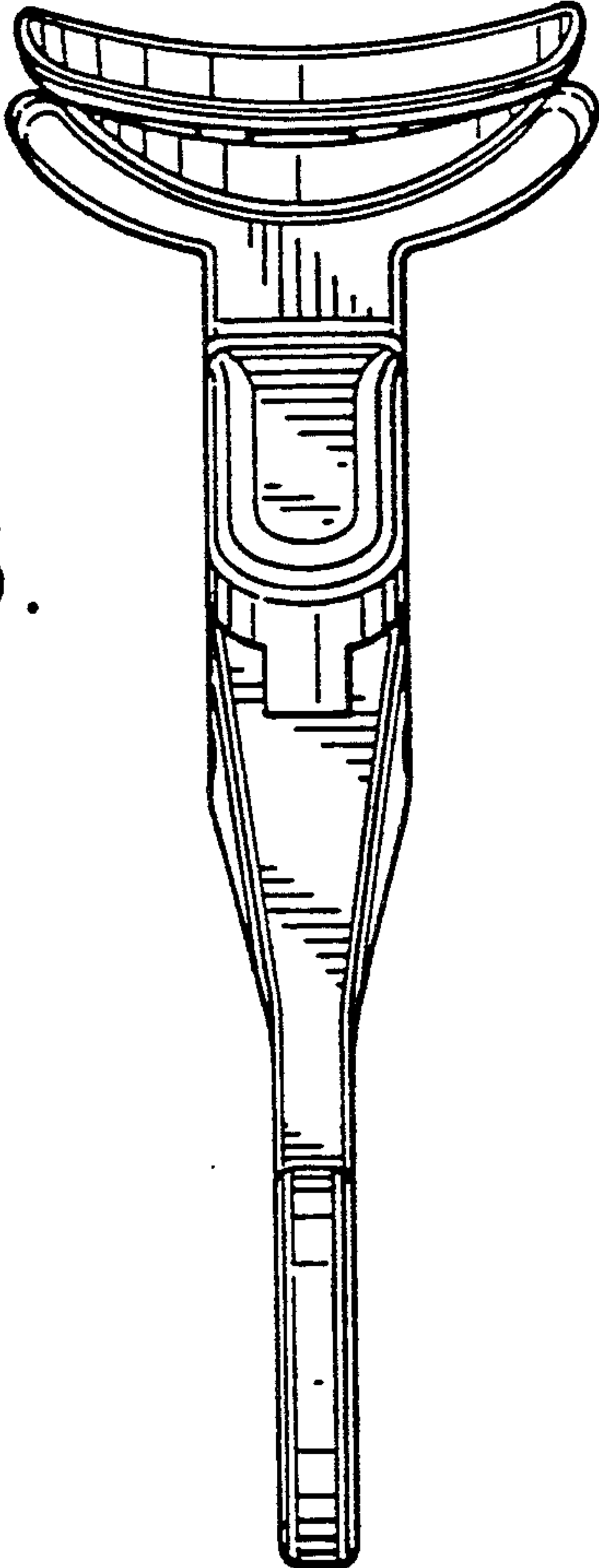


FIG. 5.

FIG. 6.

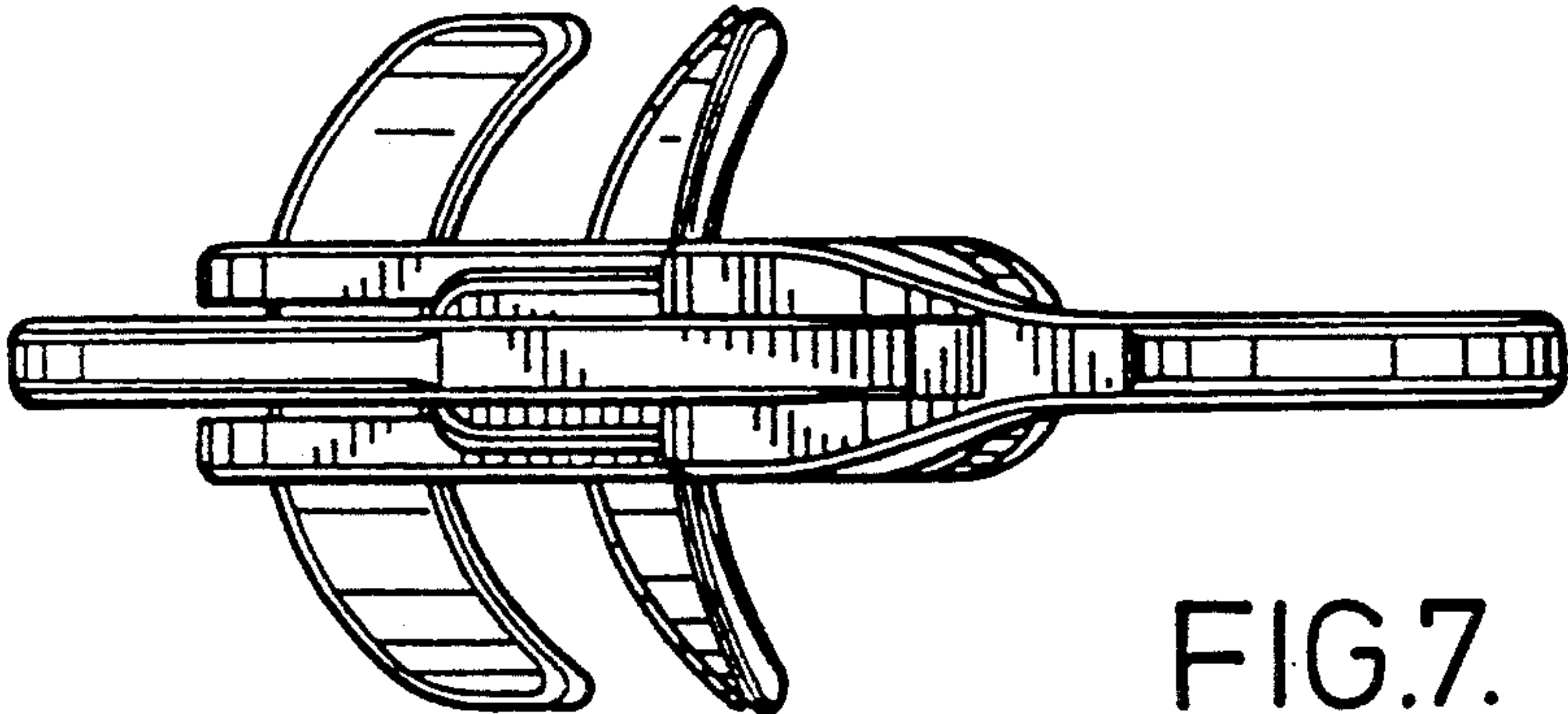
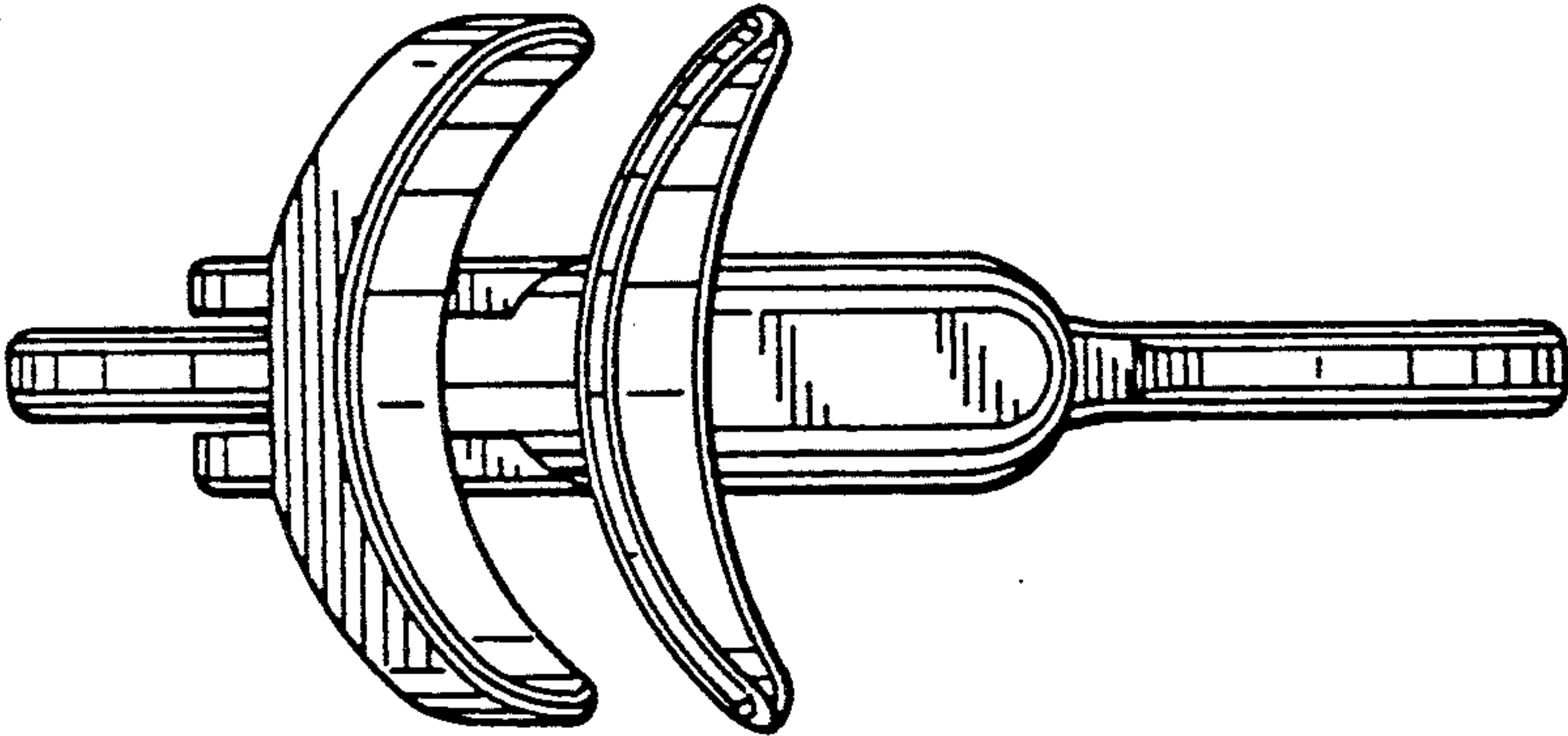


FIG. 7.