



US00D328503S

# United States Patent [19] Masahara

[11] Patent Number: **Des. 328,503**  
[45] Date of Patent: **\*\* Aug. 4, 1992**

## [54] TABLE LAMP

[76] Inventor: **Sakae Masahara**, K2404 Guelph Street, Vancouver, B.C. V5T 3P3, Canada

[\*\*] Term: **14 Years**

[21] Appl. No.: **446,527**

[22] Filed: **Dec. 5, 1989**

[52] U.S. Cl. .... **D26/104; D26/110**

[58] Field of Search ..... **D26/37-50, D26/93, 102-112; 362/410-414, 362, 363, 367, 404, 147, 350**

## [56] References Cited

### U.S. PATENT DOCUMENTS

4,809,146 2/1989 Johnson ..... 362/367

## OTHER PUBLICATIONS

Abatare, Dec. 1978, p. 57, Lampole d'Arredamento, table lamp.

Domus, Jan. 1977, p. 24, "Cubetto" table lamp.

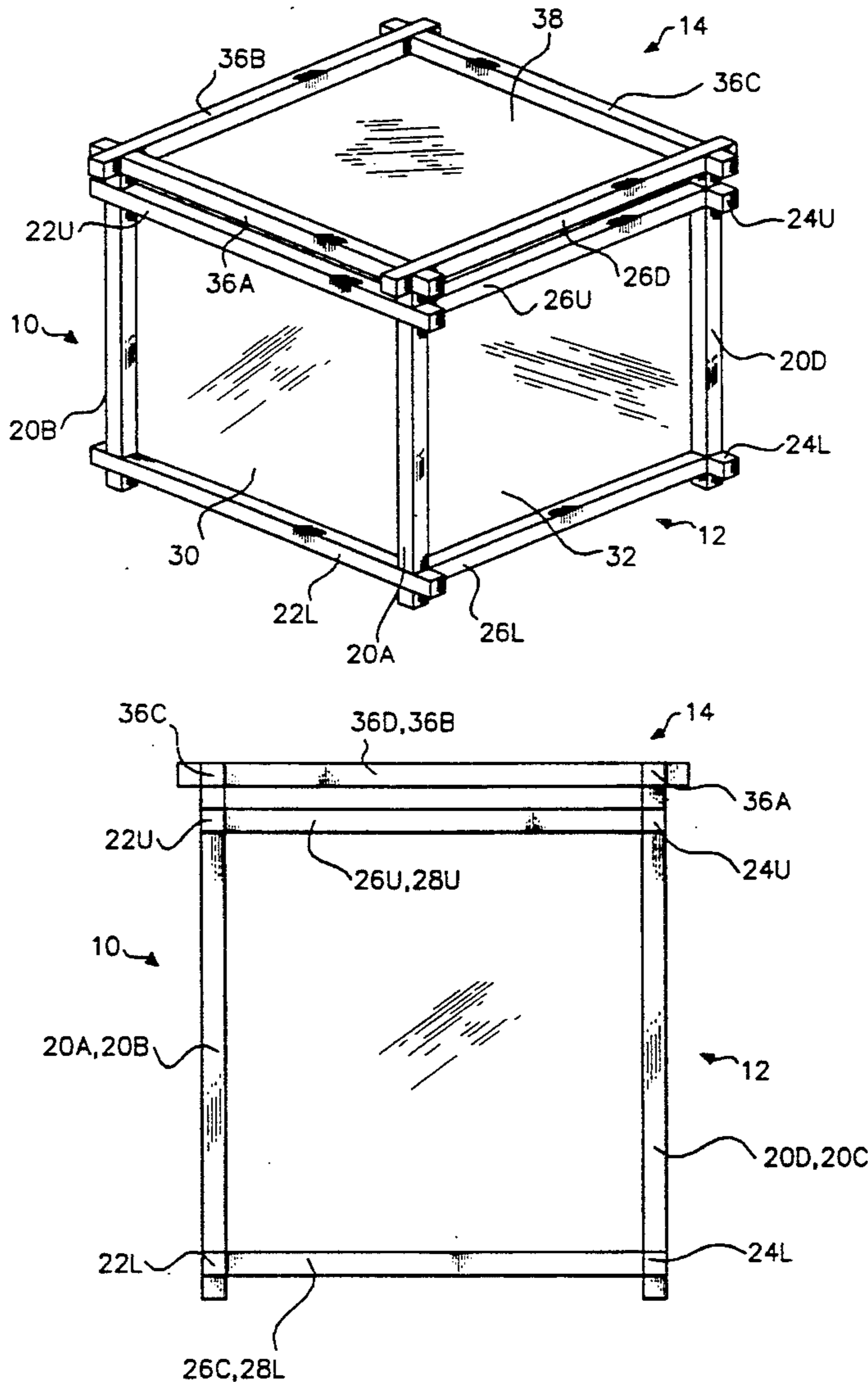
Primary Examiner—Susan J. Lucas  
Attorney, Agent, or Firm—Seed and Berry

## [57] CLAIM

The ornamental design for a table lamp, as shown and described.

## DESCRIPTION

FIG. 1 is a perspective view of a table lamp showing our new design;  
FIG. 2 is a side elevational view thereof, all sides being identical;  
FIG. 3 is a top plan view thereof; and,  
FIG. 4 is a bottom plan view thereof.



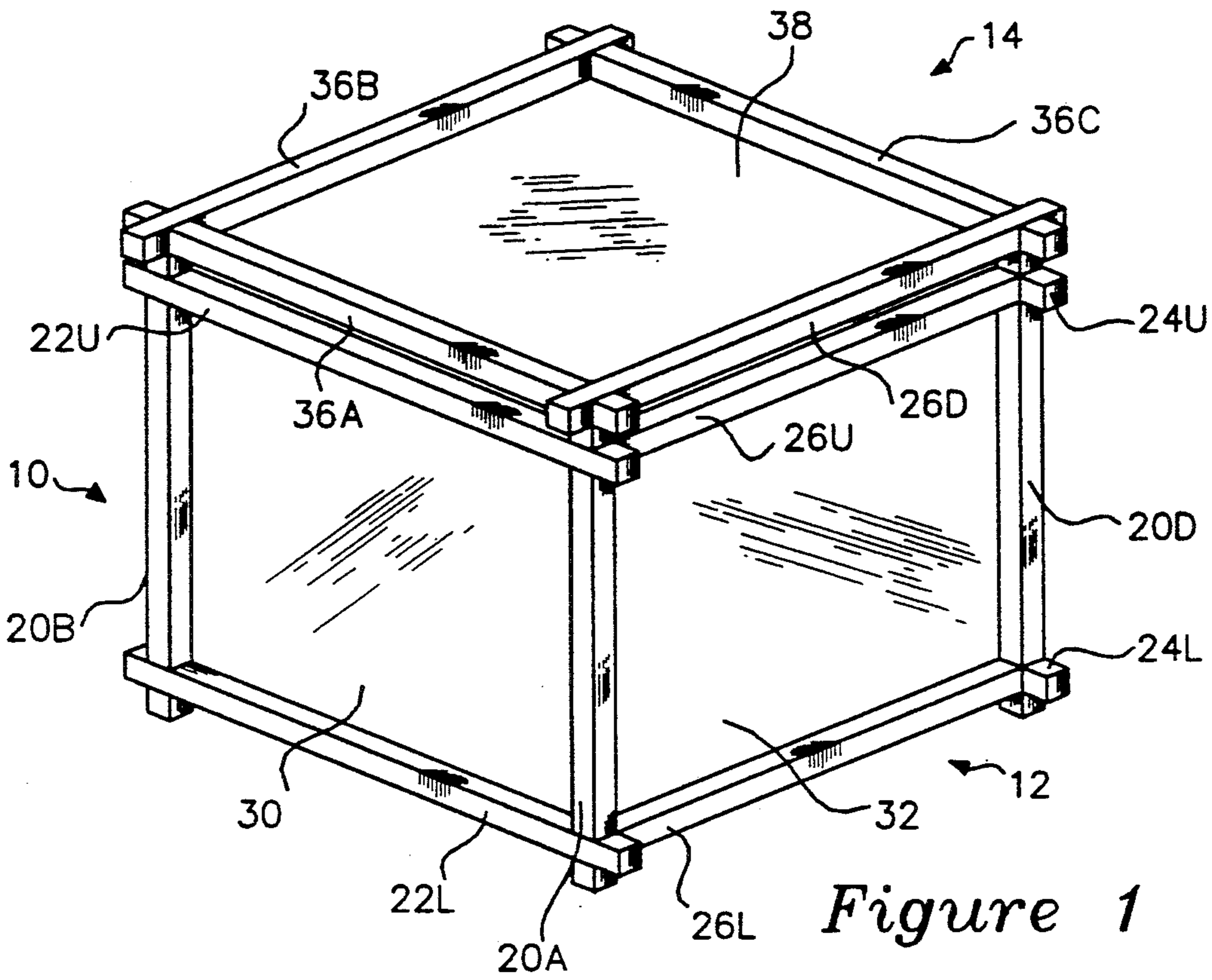


Figure 1

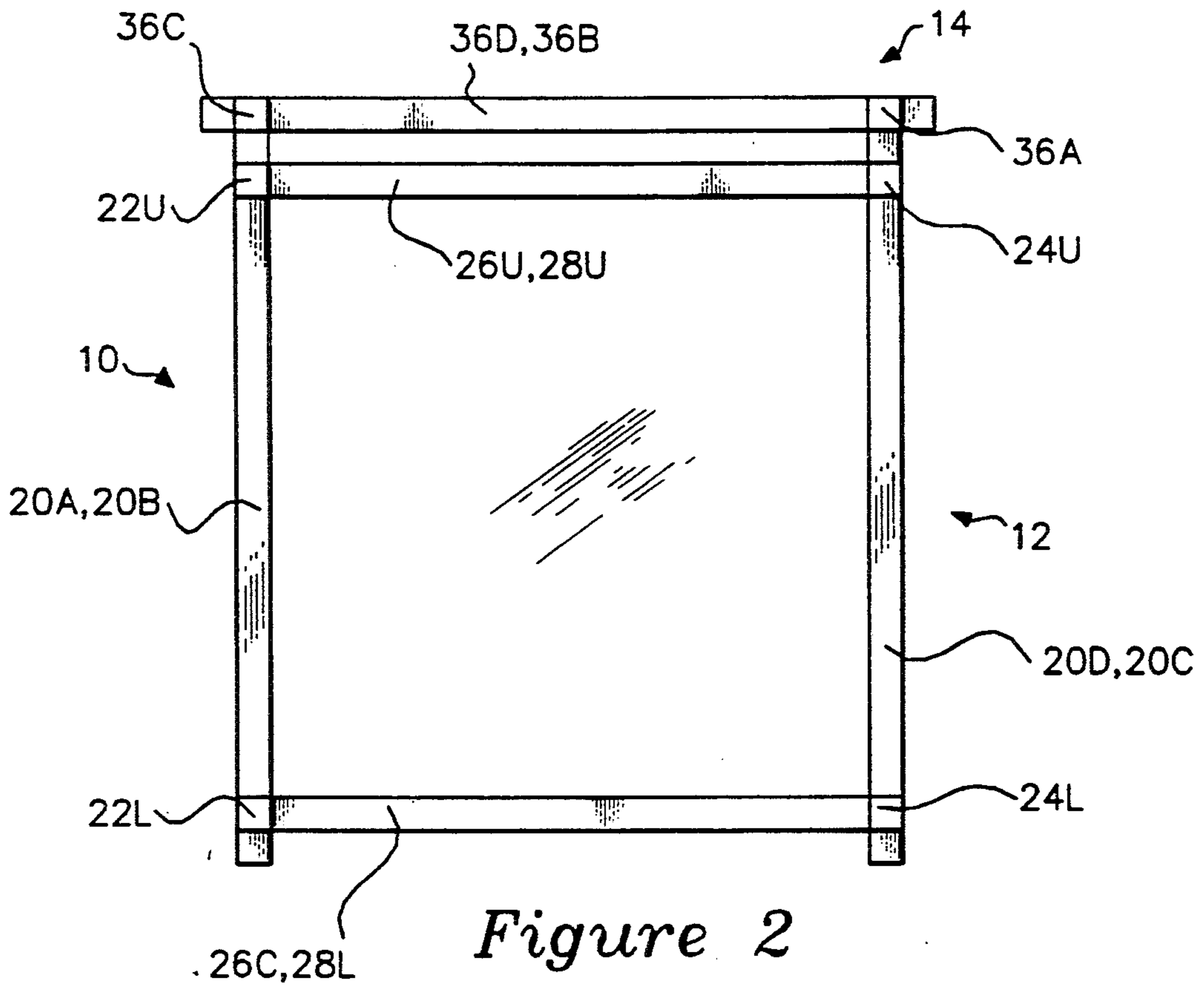


Figure 2

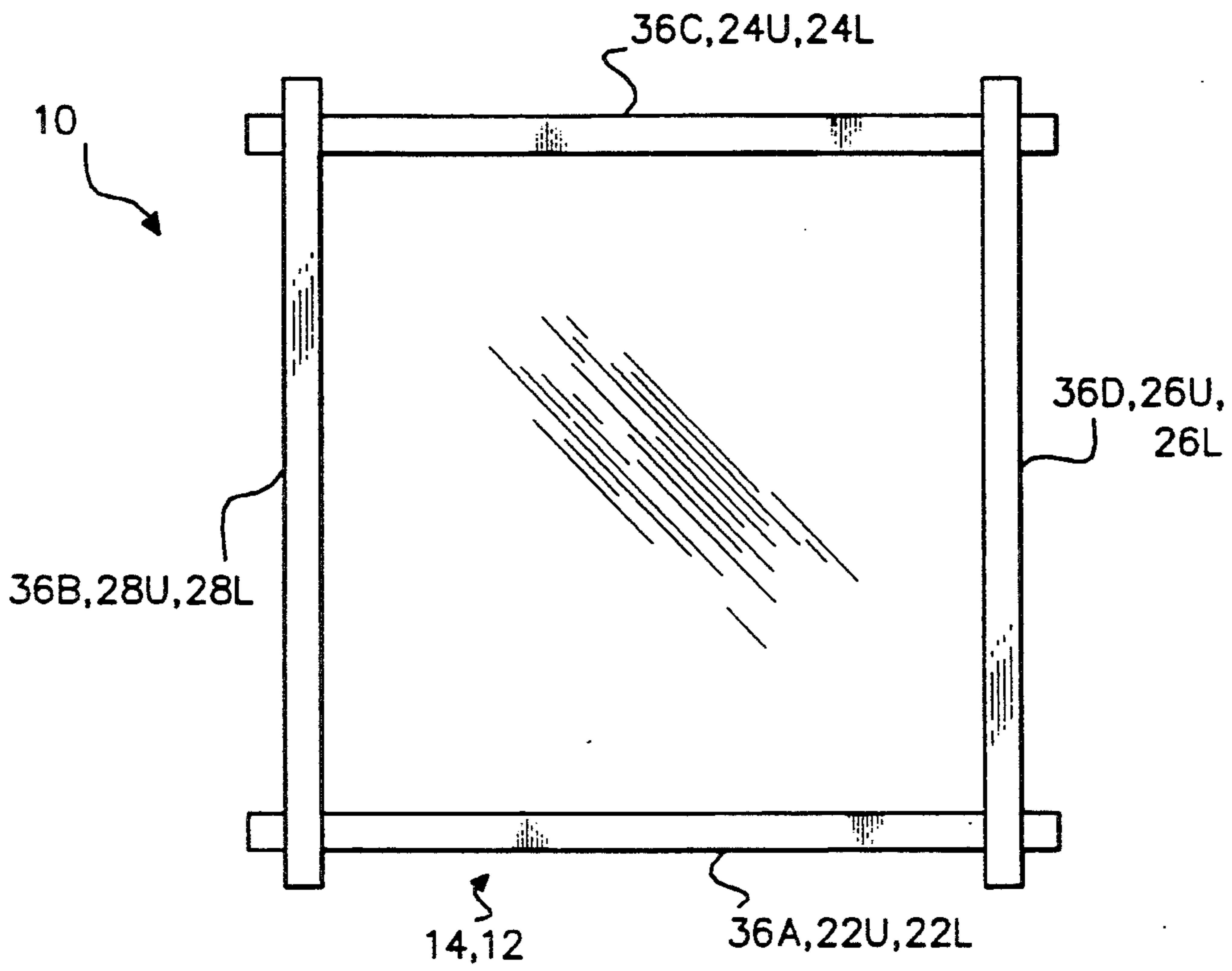


Figure 3

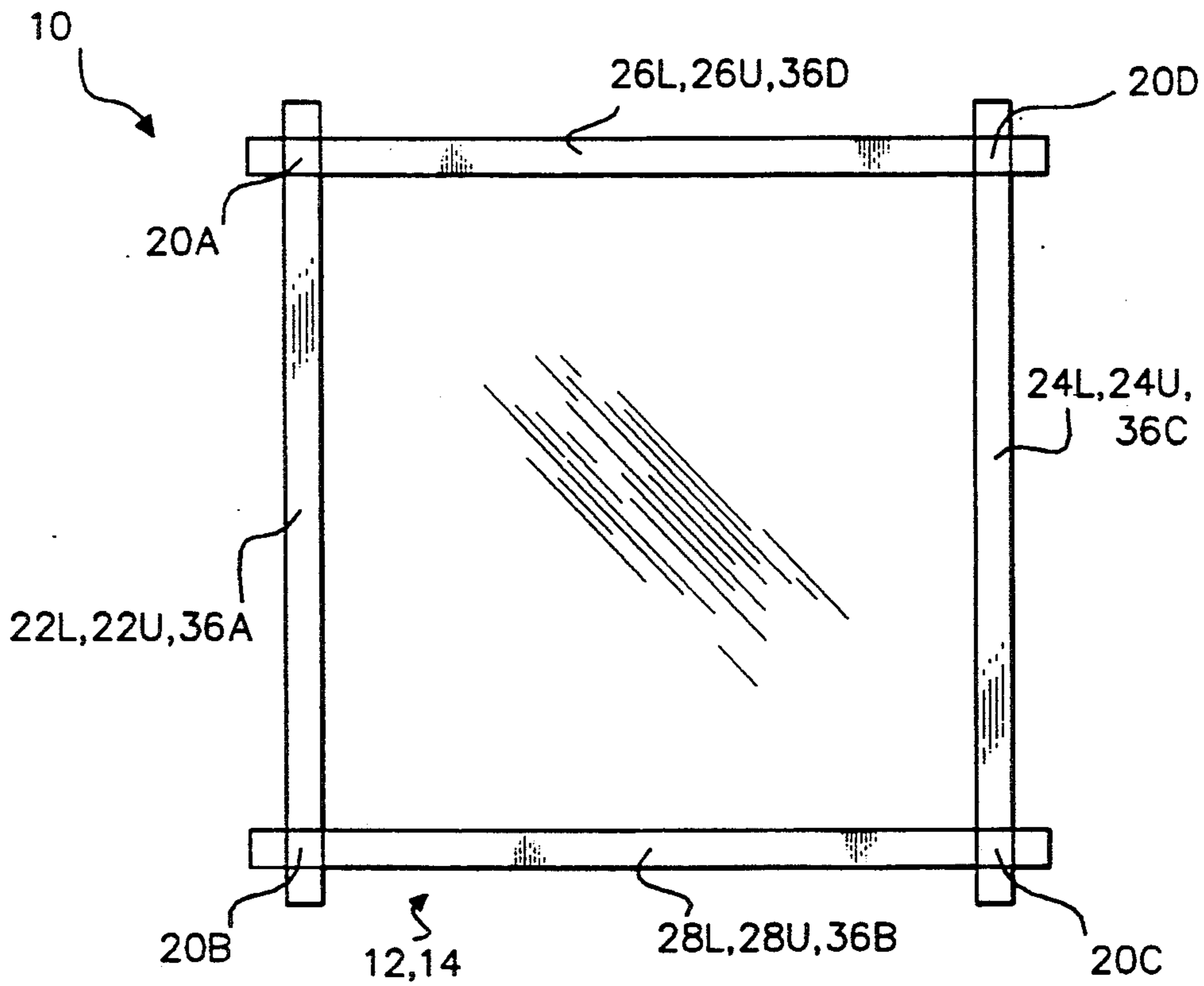


Figure 4