



US00D328501S

United States Patent [19]

Se-Kit Yuen

[11] Patent Number: **Des. 328,501**

[45] Date of Patent: **** Aug. 4, 1992**

[54] **MULTIPURPOSE FLUORESCENT LANTERN**

[75] Inventor: **John Se-Kit Yuen, Kowloon, Hong Kong**

[73] Assignee: **John Manufacturing Limited, Hong Kong**

[**] Term: **14 Years**

[21] Appl. No.: **606,614**

[22] Filed: **Oct. 31, 1990**

[30] **Foreign Application Priority Data**

May 9, 1990 [GB] United Kingdom 2006664

[52] U.S. Cl. **D26/42; D26/44**

[58] Field of Search **D26/37-50; 362/157, 158, 183-191, 194-205**

[56] **References Cited**

U.S. PATENT DOCUMENTS

D. 271,909 12/1983 Mallory D26/42

D. 304,090 10/1989 Wan D26/42

D. 318,134 7/1991 Yuen D26/42

4,364,104 12/1982 Holahan et al. 362/202 X

4,977,489 12/1990 Fung 362/184

Primary Examiner—Susan J. Lucas

Attorney, Agent, or Firm—Fay, Sharpe, Beall, Fagan, Minnich & McKee

[57] CLAIM

The ornamental design for a multipurpose fluorescent lantern, as shown and described.

DESCRIPTION

FIG. 1 is a rear elevational view of a multipurpose fluorescent lantern showing my new design;

FIG. 2 is a front elevational view, thereof;

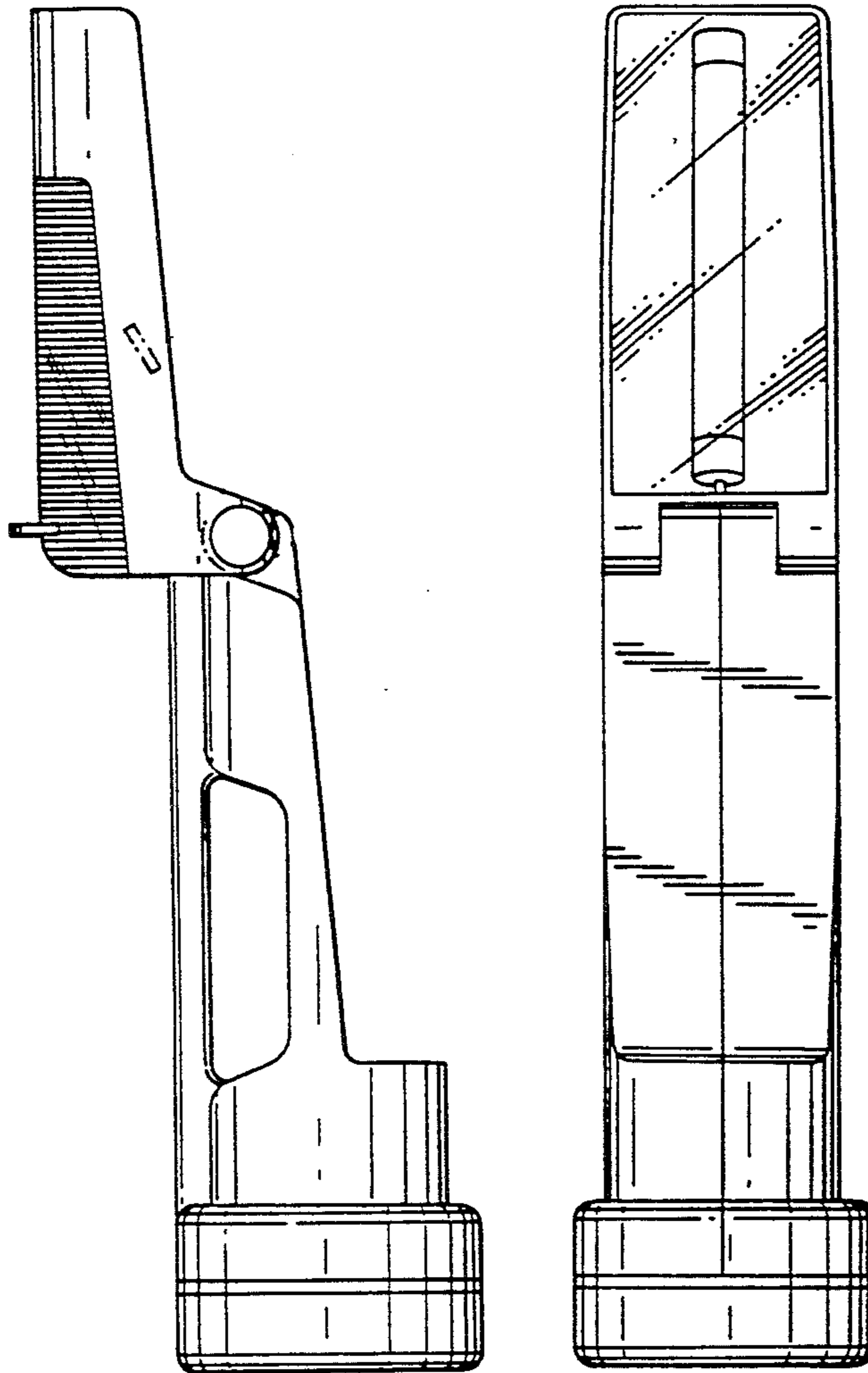
FIG. 3 is a top plan view thereof;

FIG. 4 is a right side elevational view, the left side being a mirror image thereof;

FIG. 5 is a bottom plan view thereof;

FIG. 6 is a right side elevational view thereof with the fluorescent light pivoted to an operational position;

FIG. 7 is a bottom plan view of the lantern in the position shown in FIG. 6.



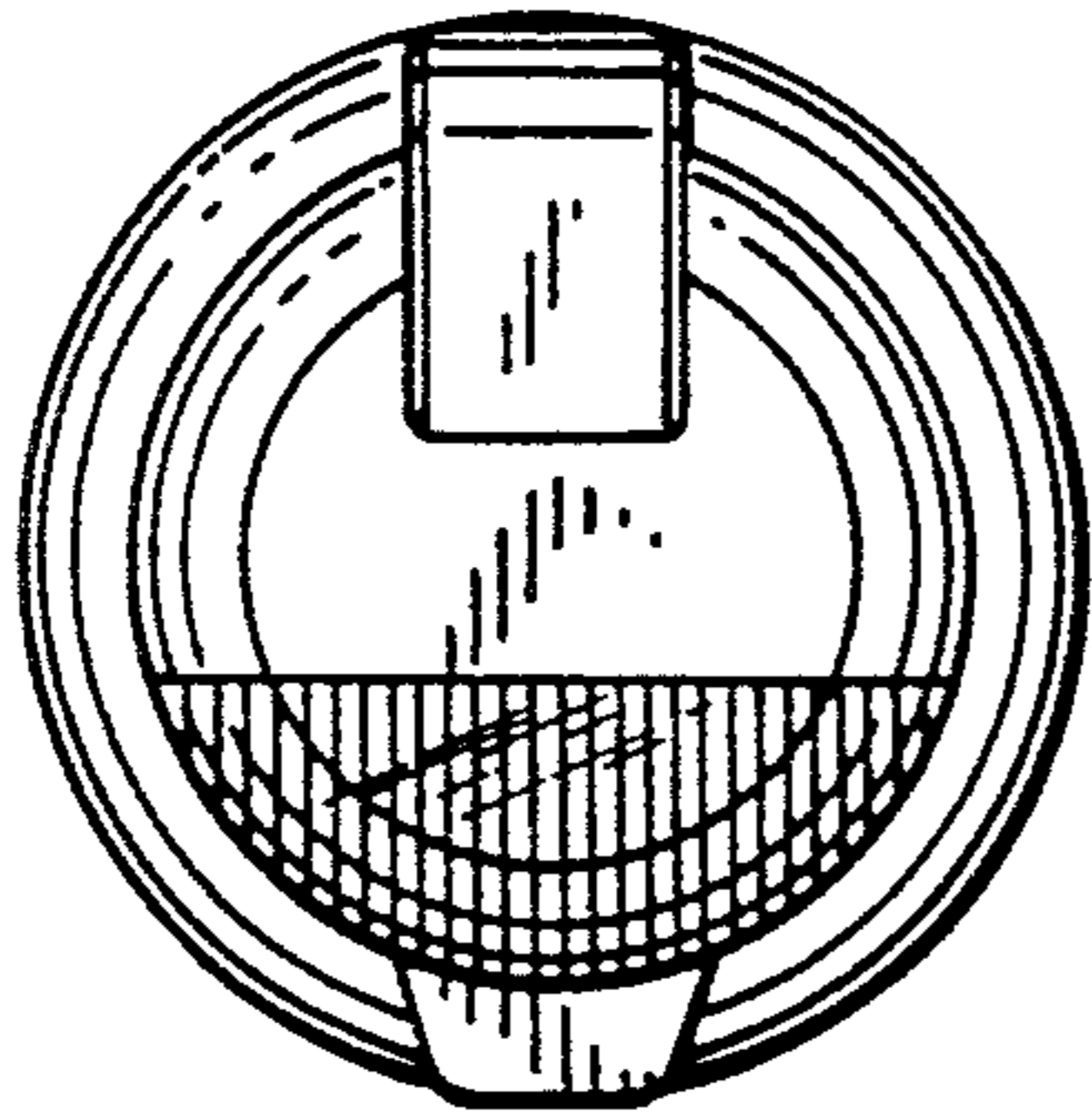


FIG.1.

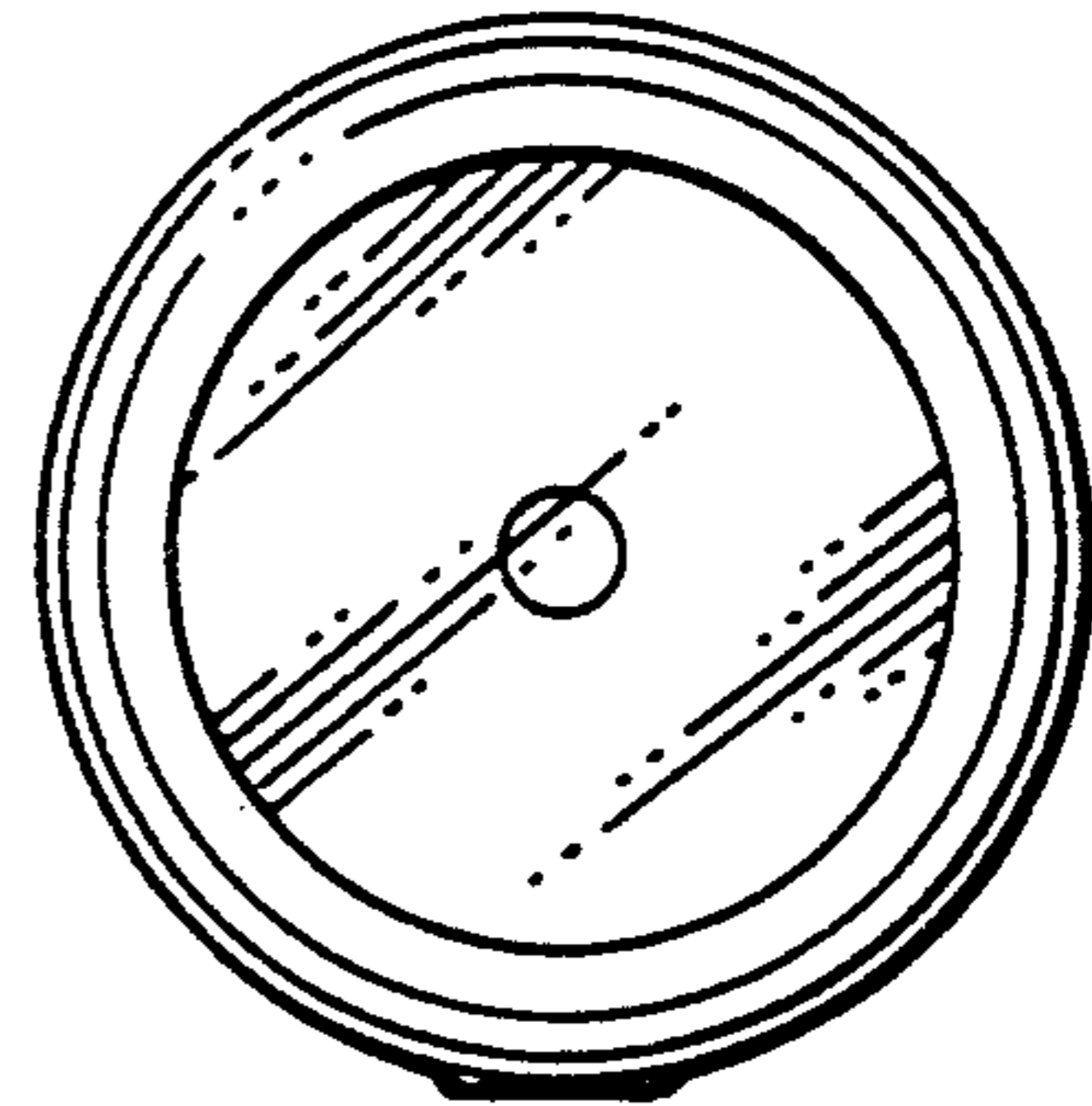


FIG.2.

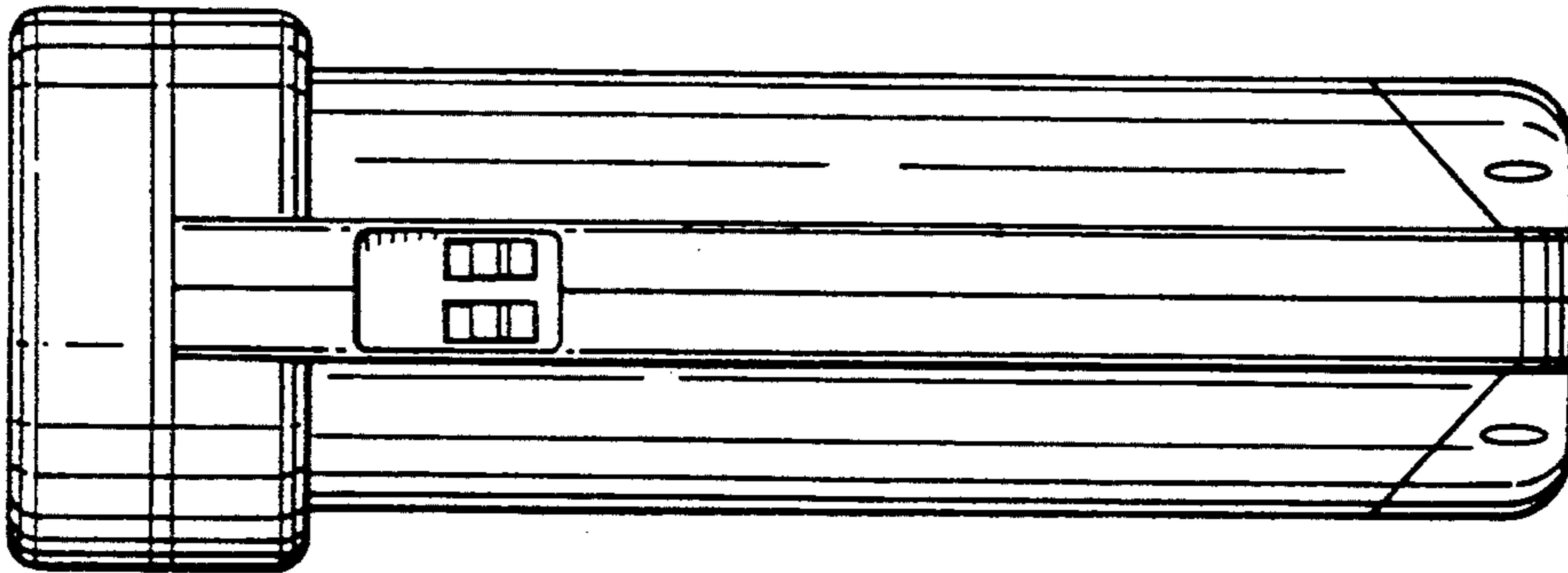


FIG.3.

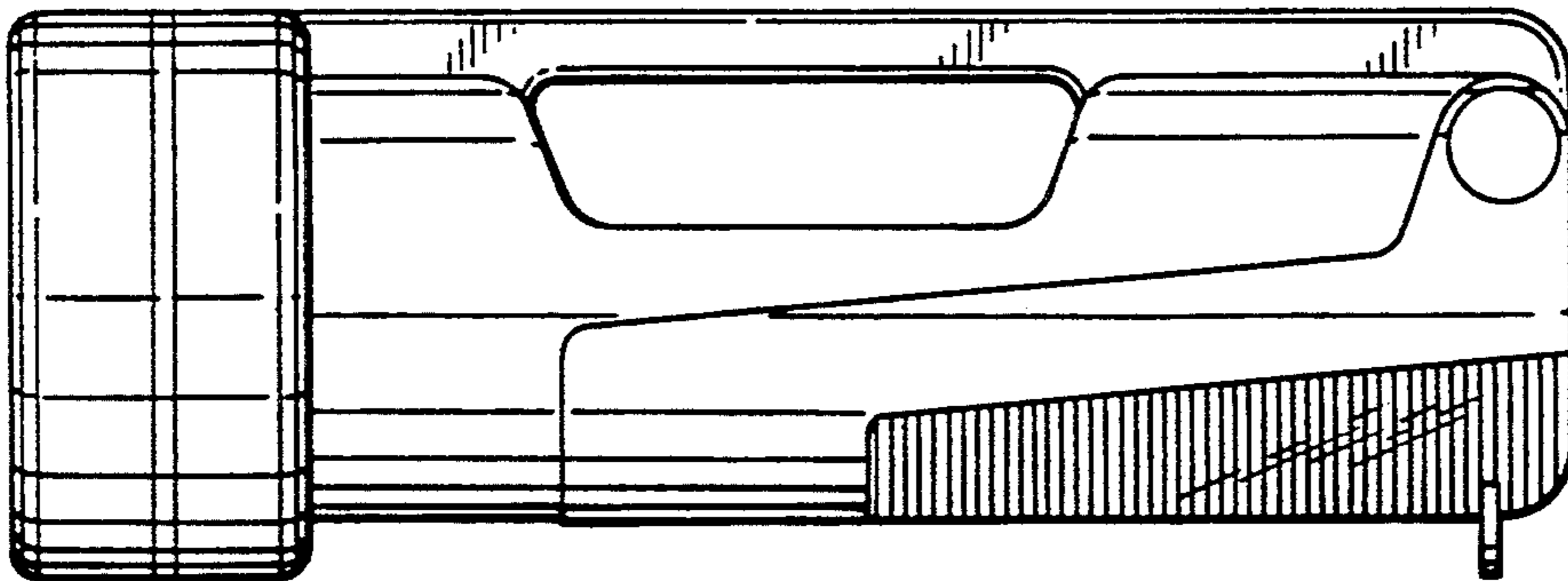


FIG.4.

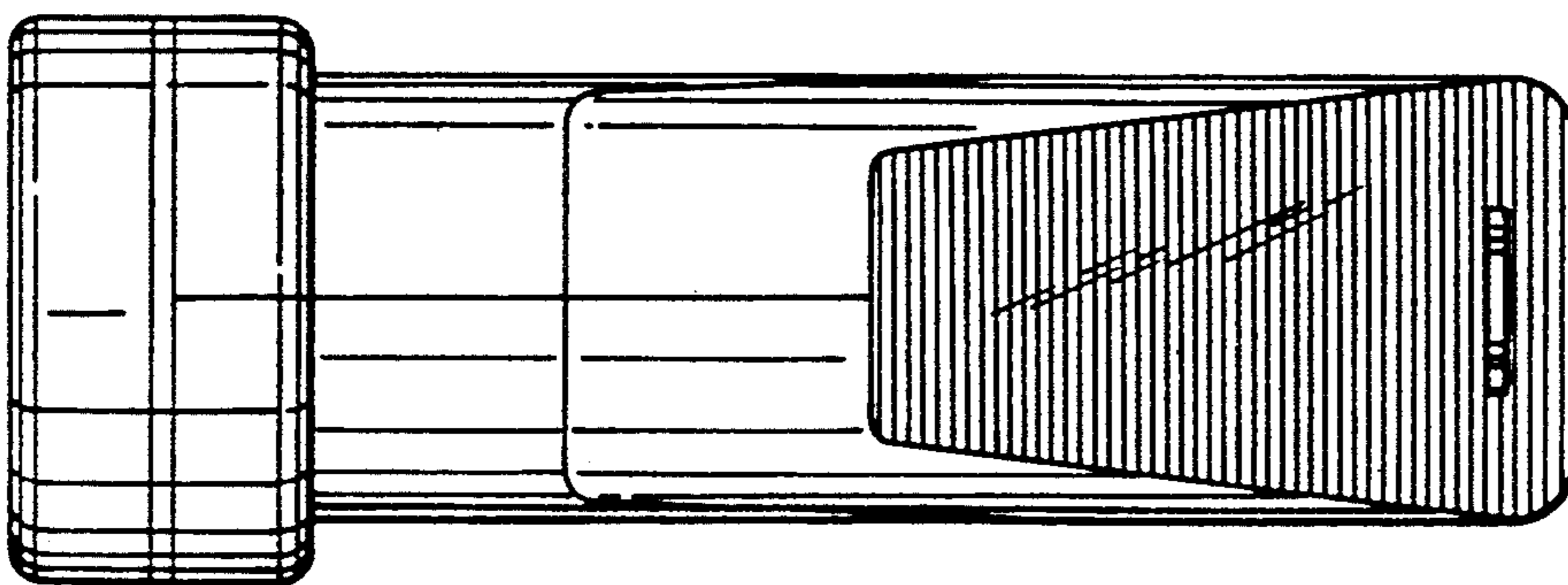


FIG.5.

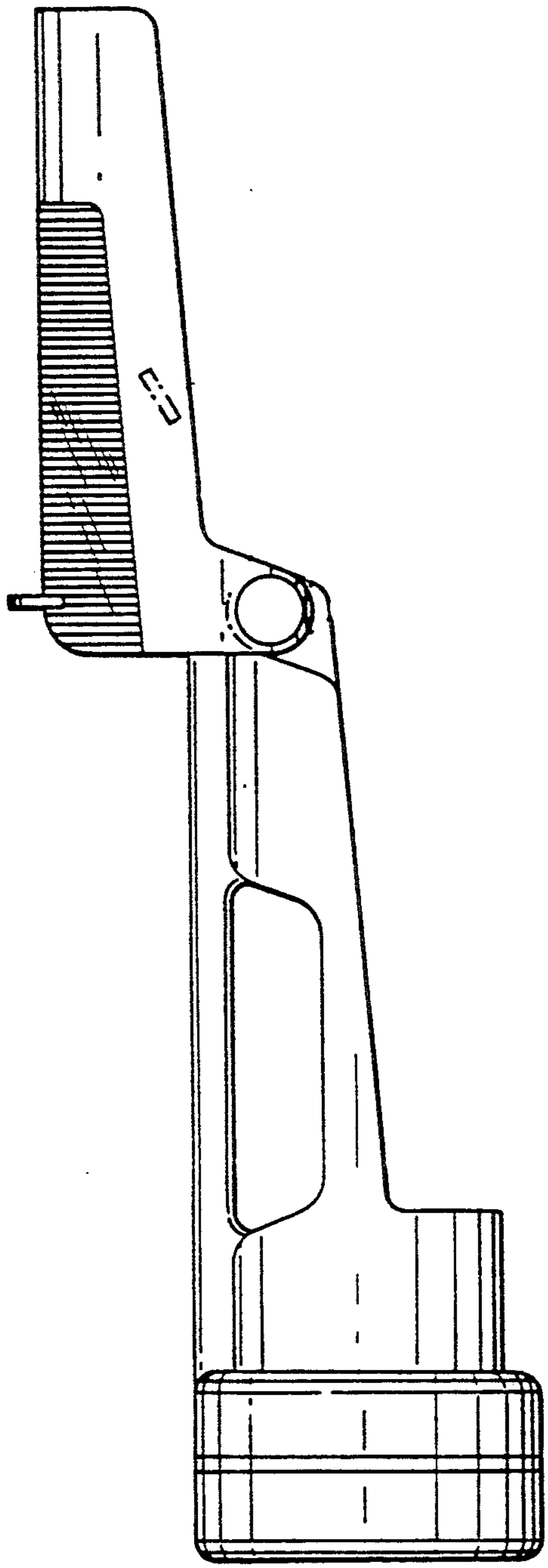


FIG. 6.

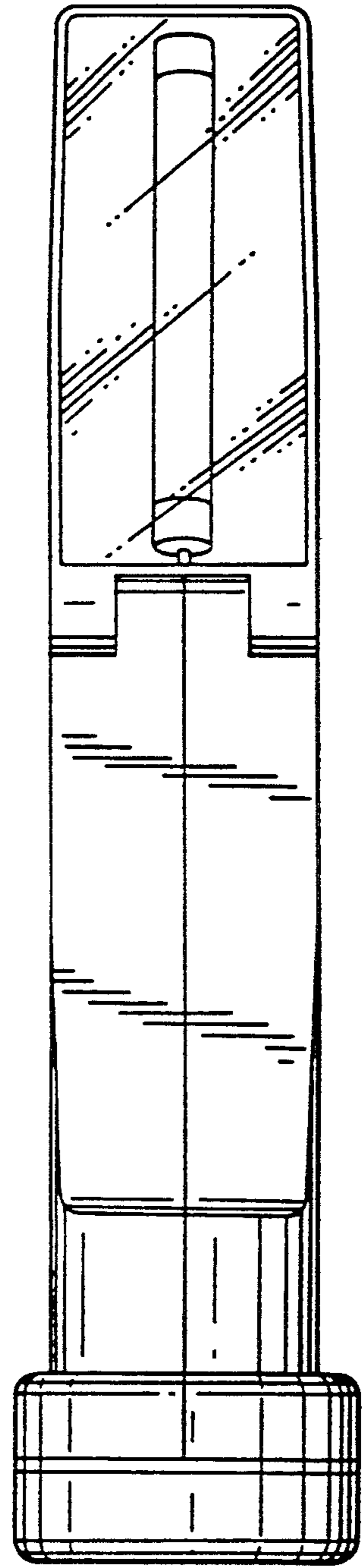


FIG. 7.