



US00D328500S

United States Patent [19]

Hardy

[11] Patent Number: **Des. 328,500**

[45] Date of Patent: **** Aug. 4, 1992**

[54] FASCIA GUTTER

[76] Inventor: **Michael H. Hardy**, Broomhouse Lane, Edlington, Doncaster, United Kingdom, DN12 1ES

[**] Term: **14 Years**

[21] Appl. No.: **308,383**

[22] Filed: **Feb. 8, 1989**

[30] **Foreign Application Priority Data**

Aug. 8, 1988 [GB] United Kingdom 1052831
[52] U.S. Cl. **D25/119; D25/35**
[58] Field of Search **D25/35, 102; 248/48.1, 248/48.2; 52/11-16, 94-97**

[56] **References Cited**

U.S. PATENT DOCUMENTS
D. 212,080 8/1968 Vondergoltz D25/119

2,419,996 5/1947 Honikman 248/48.1
3,612,453 10/1971 Kimmer 248/48.2
4,128,974 12/1978 Taylor 52/11
4,226,056 10/1980 Hallam 248/48.1

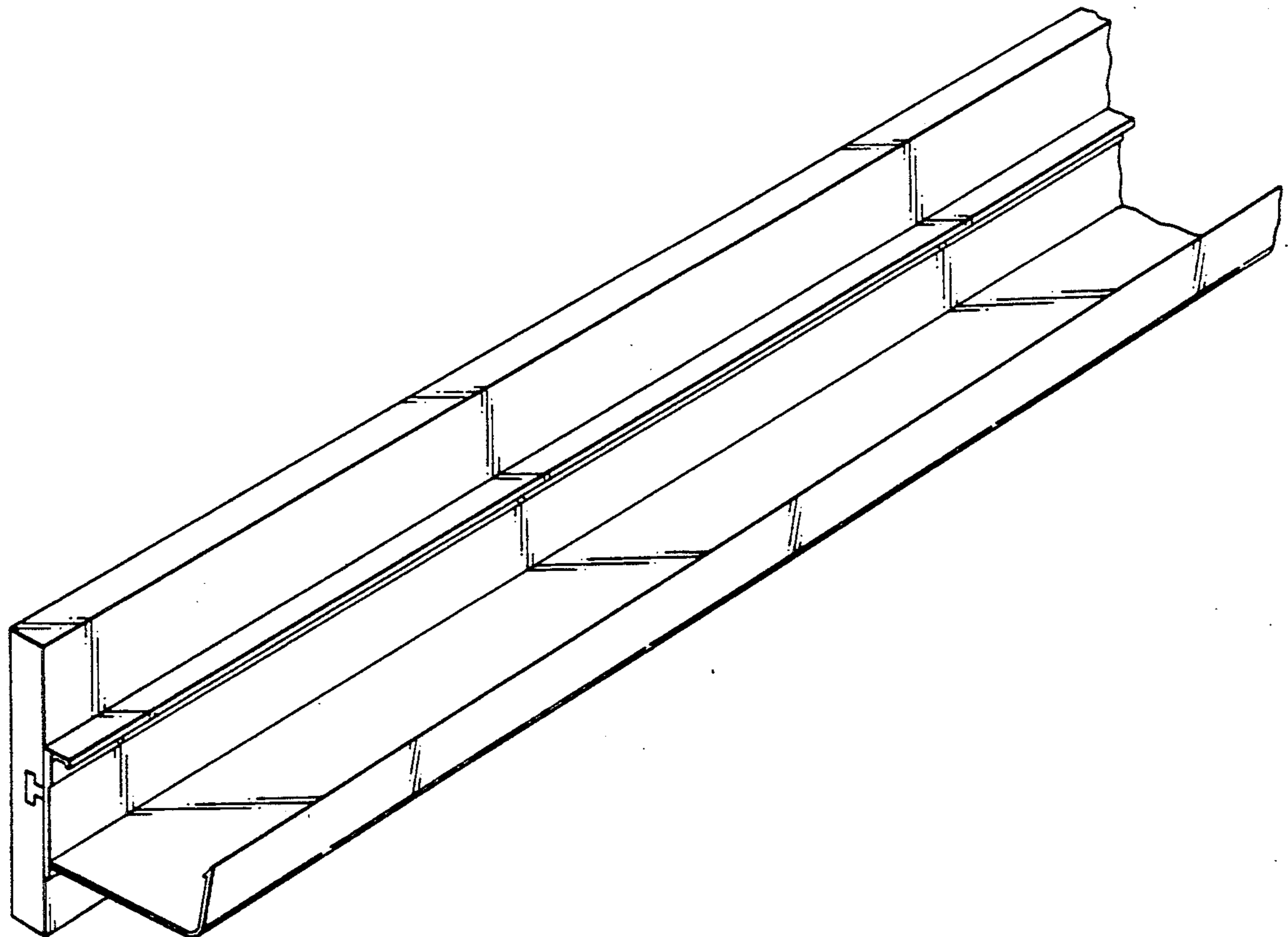
Primary Examiner—A. Hugo Word
Assistant Examiner—Doris Clark
Attorney, Agent, or Firm—Mathews, Woodbridge & Collins

[57] **CLAIM**

The ornamental design for a fascia gutter, as shown and described.

DESCRIPTION

FIG. 1 is a top plan view of a fascia gutter showing my new design, the fascia gutter being broken in the center to indicate indeterminate length;
FIG. 2 is a left-end elevational view thereof;
FIG. 3 is a right-end elevational view thereof;
FIG. 4 is a bottom plan view thereof; and,
FIG. 5 is a fragmentary perspective view thereof.



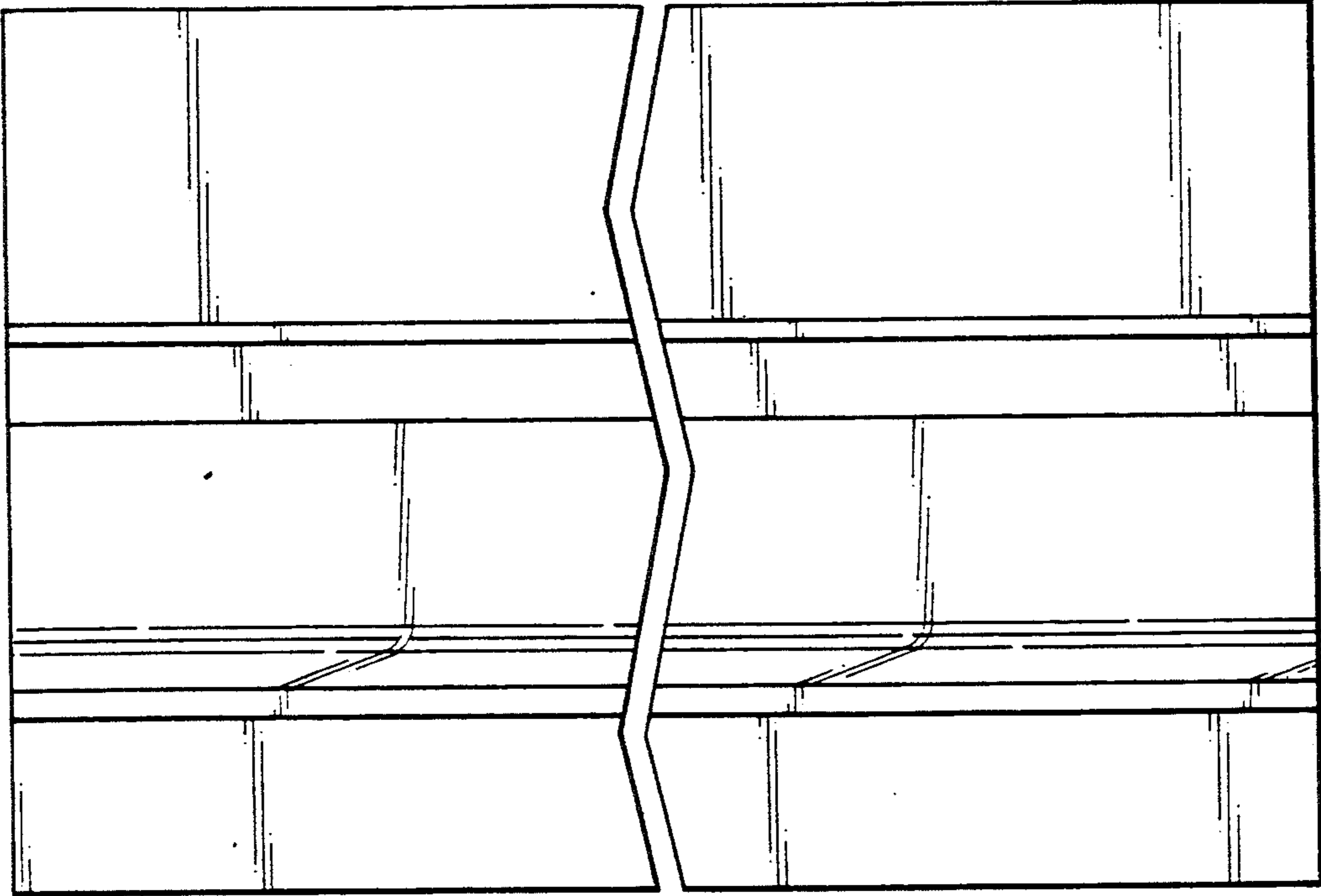


FIG. 1

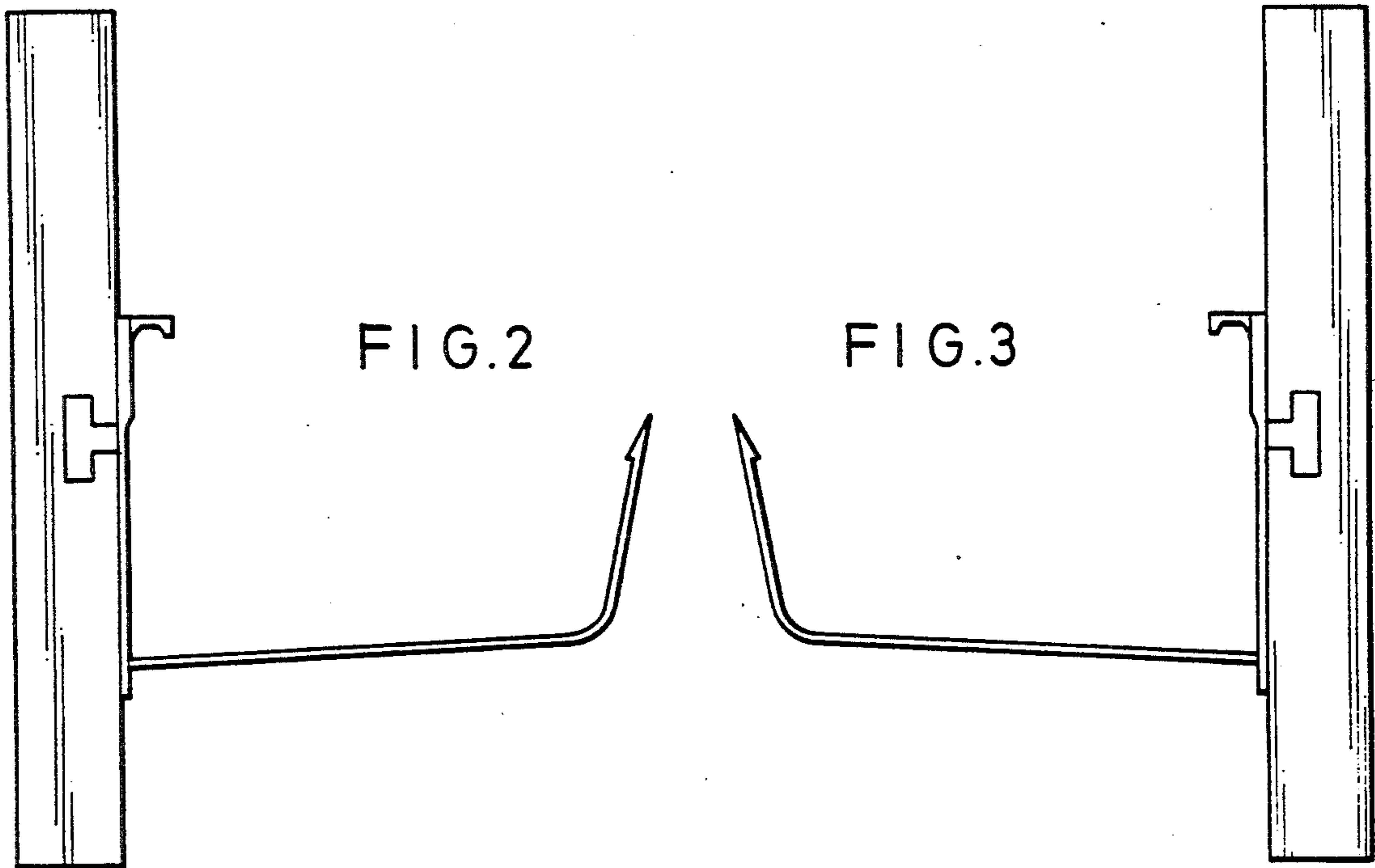


FIG. 2

FIG. 3

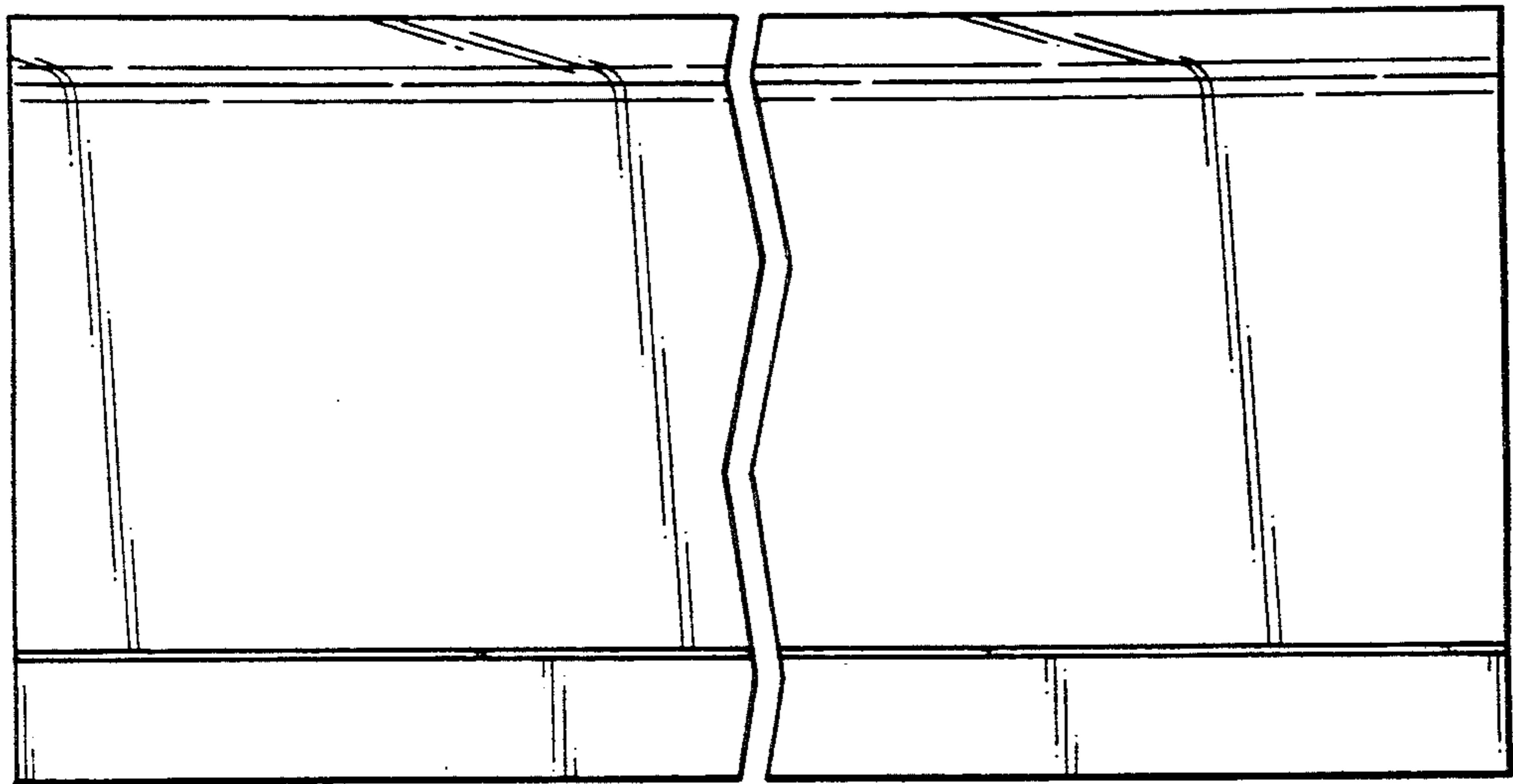


FIG. 4

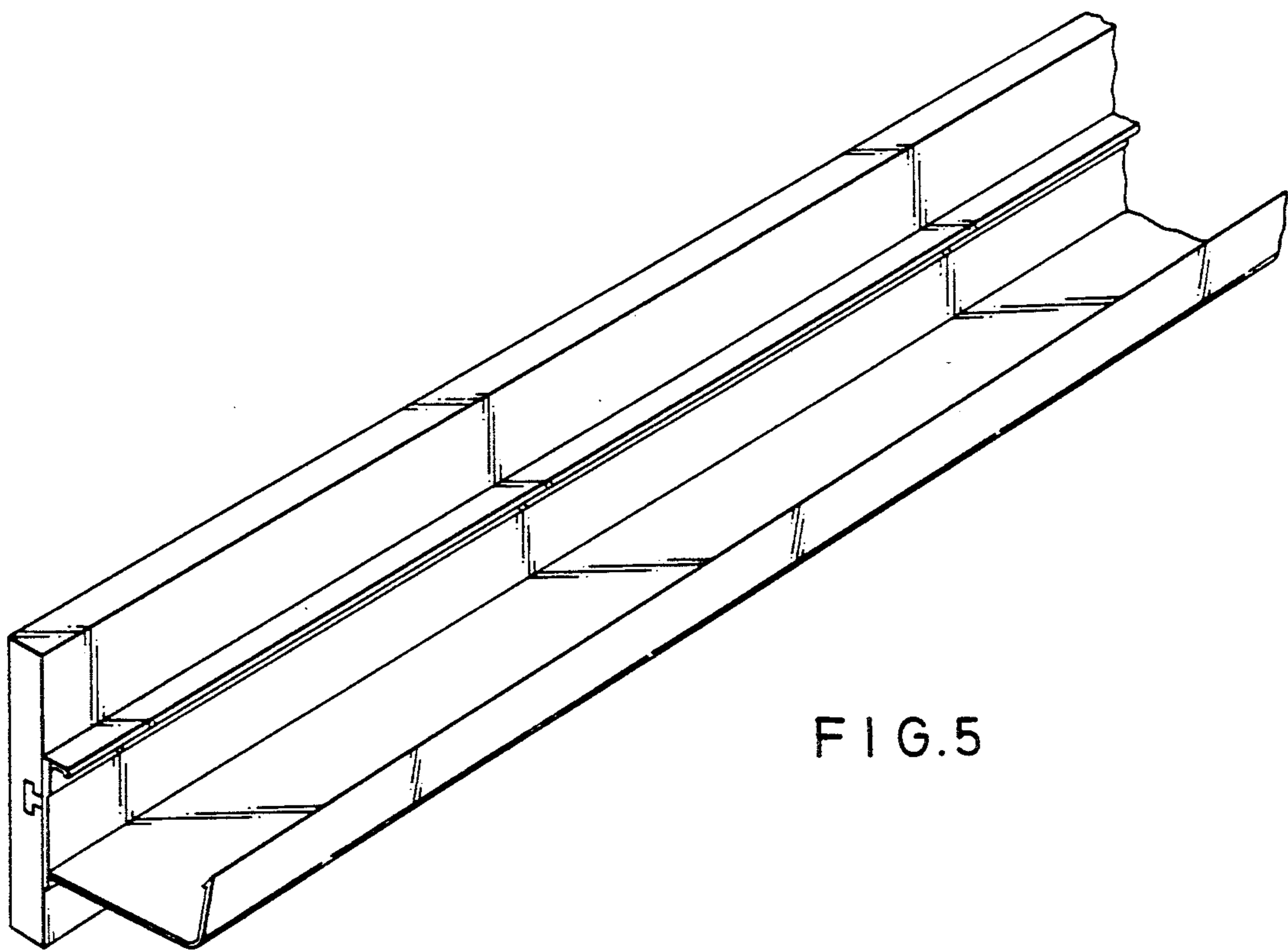


FIG. 5